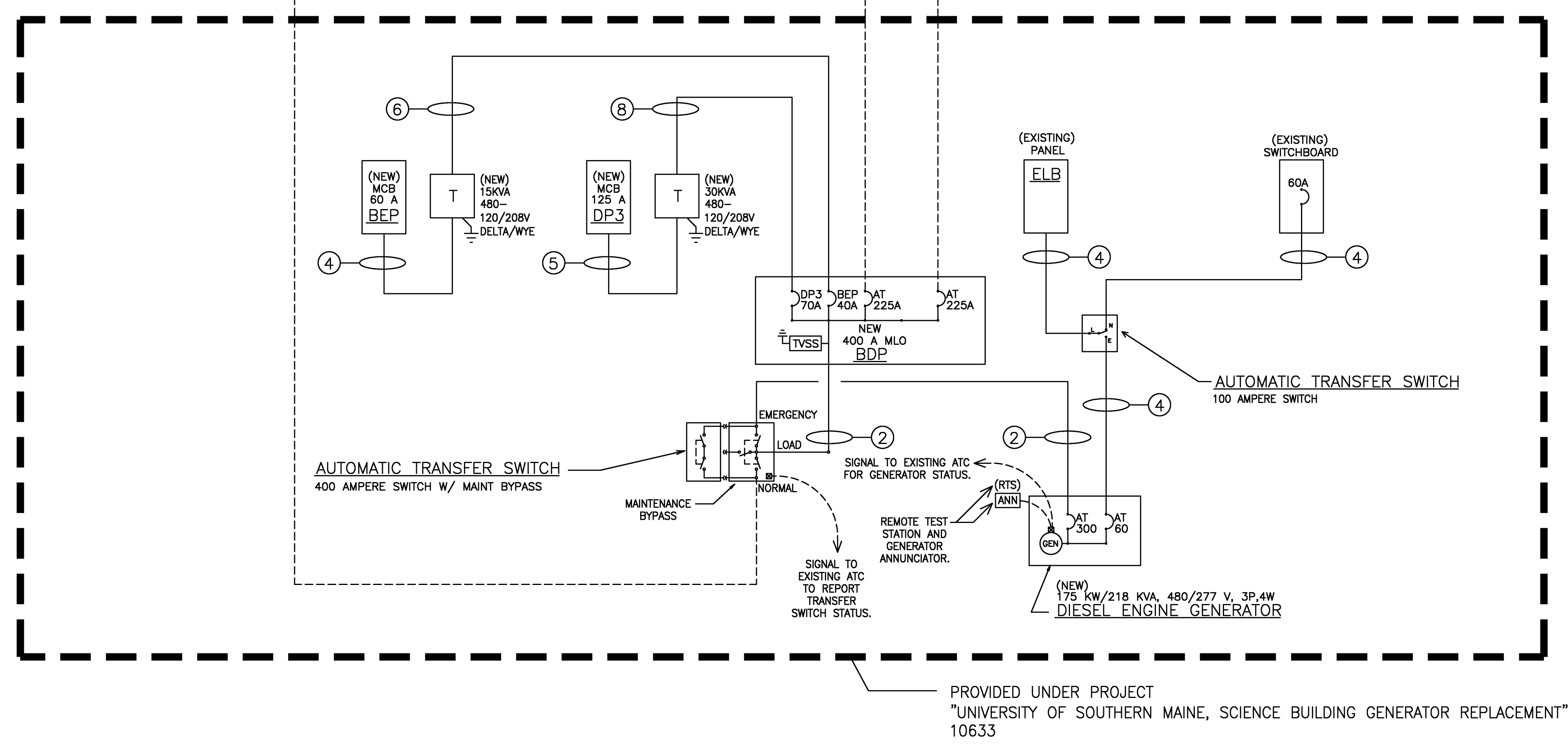


- FEEDER SIZE KEY NOTES (BOTH FOR 09533 AND 10633 PROJECTS)**
- ① PROVIDE 3-#4/0 AND 1-#4 GND IN 2-1/2" CONDUIT.
 - ② PROVIDE 4-600kCMIL AND 1-#3 GND IN 4" CONDUIT.
 - ③ PROVIDE 4-#500kCMIL AND 1-#3 GND IN 3-1/2" CONDUIT.
 - ④ PROVIDE 4-#4 AND 1-#8 GND IN 1-1/2" CONDUIT.
 - ⑤ PROVIDE 4-#1 AND 1-#6 GND IN 2" CONDUIT.
 - ⑥ PROVIDE 3-#8 AND 1-#8 GND IN 3/4" CONDUIT.
 - ⑦ PROVIDE 4-#4/0 AND 1-#4 GND IN 2-1/2" CONDUIT.
 - ⑧ PROVIDE 3-#4 AND 1-#8 GND IN 1" CONDUIT.

09533 UNIVERSITY OF MAINE SYSTEM, DATA CENTER UPGRADE		A2
NO SCALE	REF: NA	



10633 USM, SCIENCE BUILDING, GENERATOR REPLACEMENT		A1
NO SCALE	REF: NA	

Blank area for notes or revisions.

Mark	Date	Description
05-09-2011	ISSUED FOR BID	
04-06-2011	ISSUED FOR 100% REVIEW	
01-24-2011	ISSUED FOR 75% REVIEW	
Issue Dates		

Drawing Status

Drawing Title
**ELECTRICAL
ONE-LINE
DIAGRAM**

PA / PE: PRM Drawn By: RJB

Drawing Number
E50.1