

Project Title

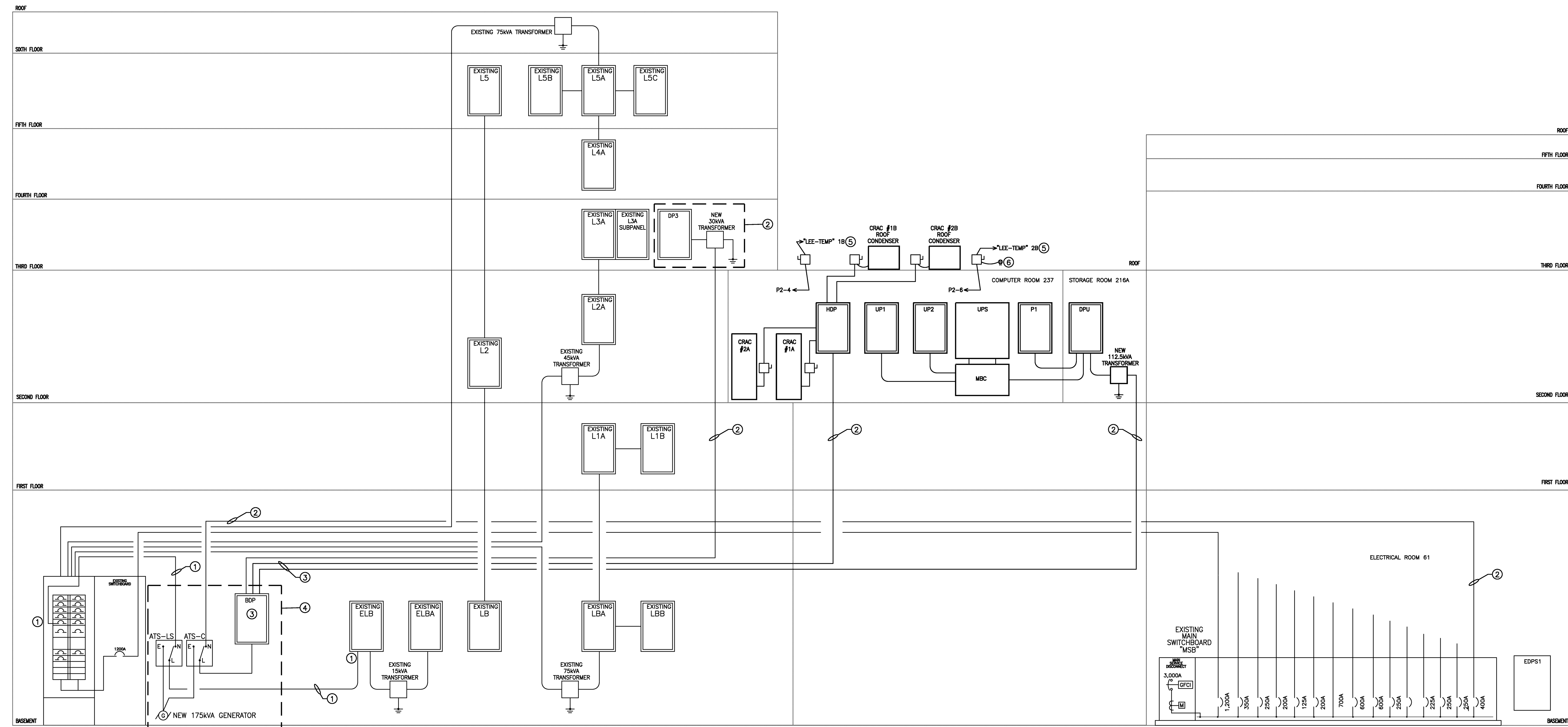
**UNIVERSITY OF MAINE SYSTEM
DATA CENTER UPGRADES**

Portland, Maine

HA Project No. **09533**

Key Plan

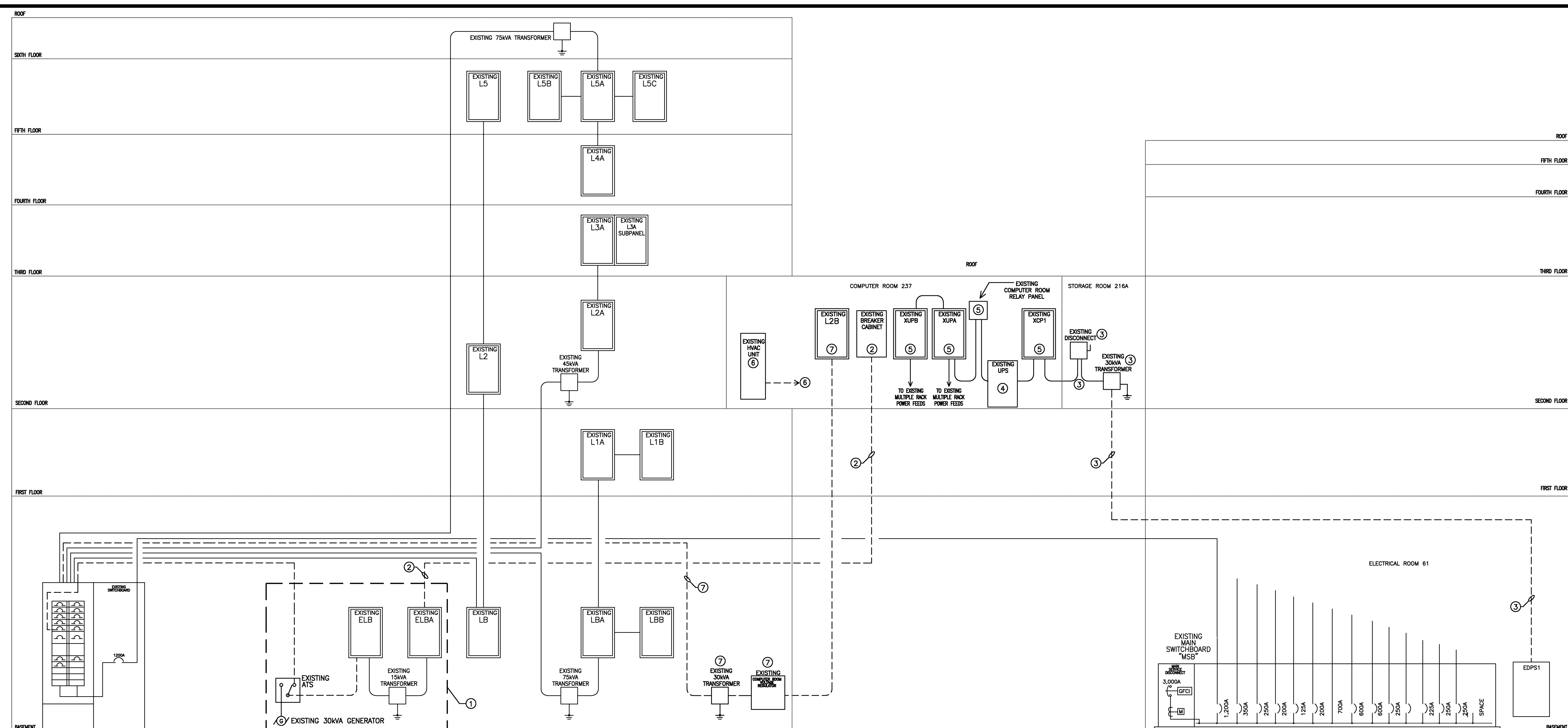
- NEW WORK KEY NOTES**
- 1 CONNECTIONS PROVIDED UNDER PROJECT "10633 UNIVERSITY OF SOUTHERN MAINE, SCIENCE BUILDING, GENERATOR REPLACEMENT".
 - 2 WORK PROVIDED UNDER PROJECT "09533 UNIVERSITY OF MAINE SYSTEM, DATA CENTER UPGRADES".
 - 3 PROVIDE CONNECTIONS TO EXISTING BREAKERS, PANELS AND BREAKERS PROVIDED UNDER PROJECT "10633 UNIVERSITY OF SOUTHERN MAINE, SCIENCE BUILDING, GENERATOR REPLACEMENT".
 - 4 WORK PROVIDED UNDER PROJECT 10633. SEE E50.1.
 - 5 TO "LEE-TEMP" RECEIVER. COORDINATE INSTALLATION WITH OTHER TRADES.
 - 6 PROVIDE 20A, GFI RECEPTACLE WITH HEAVY DUTY IN-USE METAL COVER. MOUNT AT 24" AFF WITHIN 25" OF NEW HVAC EQUIPMENT.



NEW ONE-LINE DIAGRAM

NO SCALE REF: NA

A2



EXISTING ONE-LINE DIAGRAM

NO SCALE REF: NA

A1

- DEMOLITION KEY NOTES**
(AFTER INSTALLATION AND TEST OF NEW EQUIPMENT)
- 1 DEMO WORK UNDER 10633.
 - 2 REMOVE EXISTING BREAKER, CABINET, CONDUIT AND CONDUCTORS BACK TO SOURCE.
 - 3 REMOVE DISCONNECT, TRANSFORMER, CONDUIT AND CONDUCTORS BACK TO SOURCE.
 - 4 REMOVE UPS, CONDUIT AND CONDUCTORS BACK TO SOURCE.
 - 5 REMOVE UPS PANELS, CONDUIT AND CONDUCTORS BACK TO SOURCE. COORDINATE WITH "NETWORKMAINE" FOR TRANSITIONING EXISTING CONDUIT AND CONDUCTORS TO NEW PANELS "UP1" & "UP2".
 - 6 EXISTING HVAC UNIT TO BE REMOVED. REMOVE EXISTING CONDUIT AND CONDUCTORS BACK TO SOURCE. COORDINATE WITH OTHER TRADES.
 - 7 REMOVE EXISTING PANEL "L2B", VOLTAGE REGULATOR, TRANSFORMER, CONDUIT AND CONDUCTORS BACK TO SOURCE. COORDINATE WITH NEW WORK FOR MINIMUM SHUTDOWN OF EQUIPMENT IN COMPUTER ROOM. CONFIRM EXISTING VOLTAGE REGULATOR IS ABANDONED AND REMOVE.

Mark	Date	Description
05-09-2011		ISSUED FOR BID
04-05-2011		ISSUED FOR 100% REVIEW
01-24-2011		ISSUED FOR 75% REVIEW
Issue Dates		

Drawing Status

Drawing Title

**ELECTRICAL
RISER
DIAGRAM**

PA / PE, PRM Drawn By: RJB

Drawing Number

E50.2