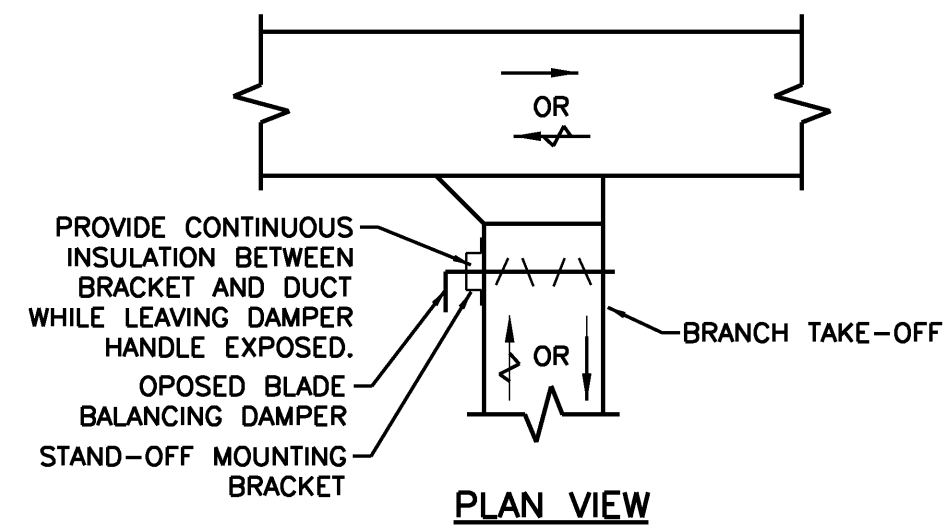
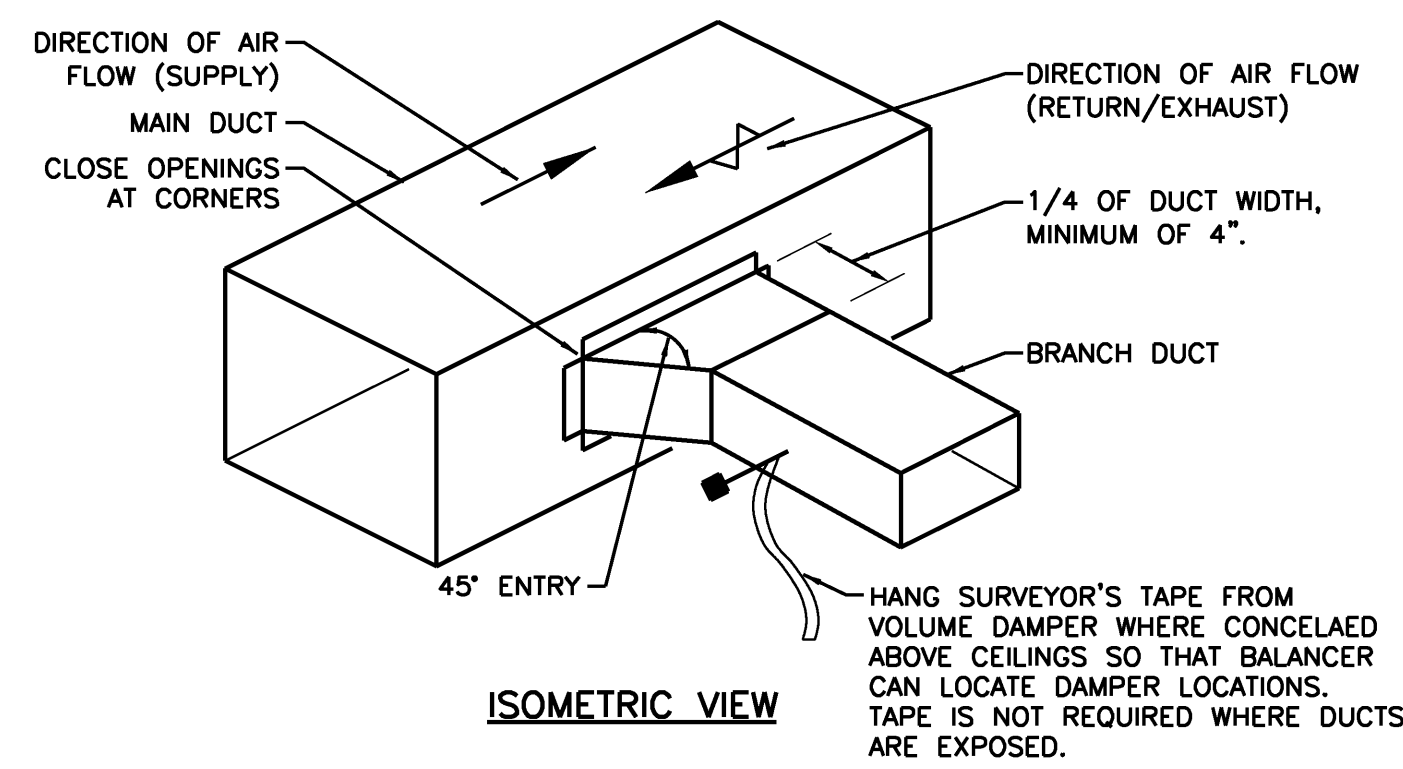


NOTES:  
 1. REINFORCEMENT MAY BE USED FOR ATTACHMENT IF IT QUALIFIES FOR BOTH DUTIES.  
 2. ATTACH HANGERS TO TOP CHORD OF JOISTS.  
 3. DO NOT EXCEED ALLOWABLE LOAD LIMITS.

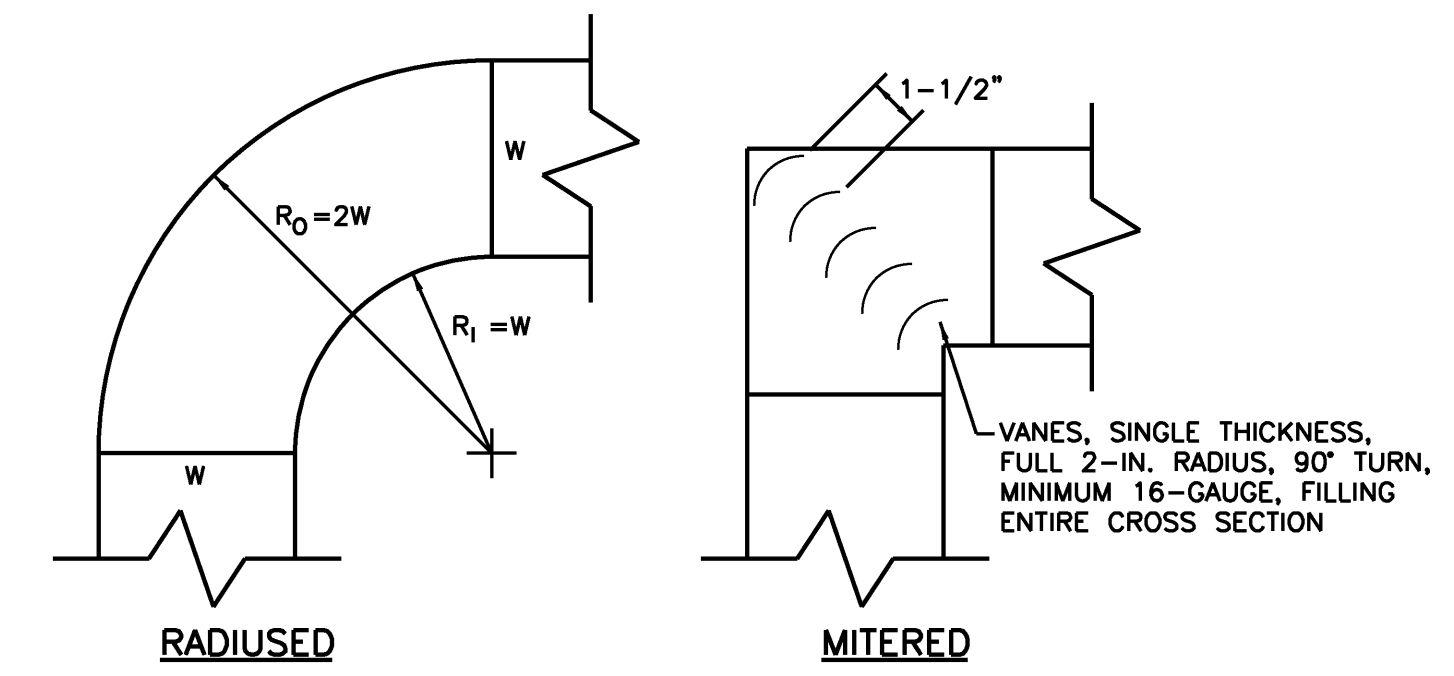
DUCT HANGER DETAILS B3  
 NO SCALE REF: NA



VOLUME DAMPERS:  
 1. PROVIDE STAND-OFF BRACKETS ON INSULATED DUCTS.  
 2. INSULATE UNDER BRACKETS, SEAL VAPOR BARRIER TO BRACKETS.  
 3. PROVIDE LOCKING, INDICATING QUADRANTS.

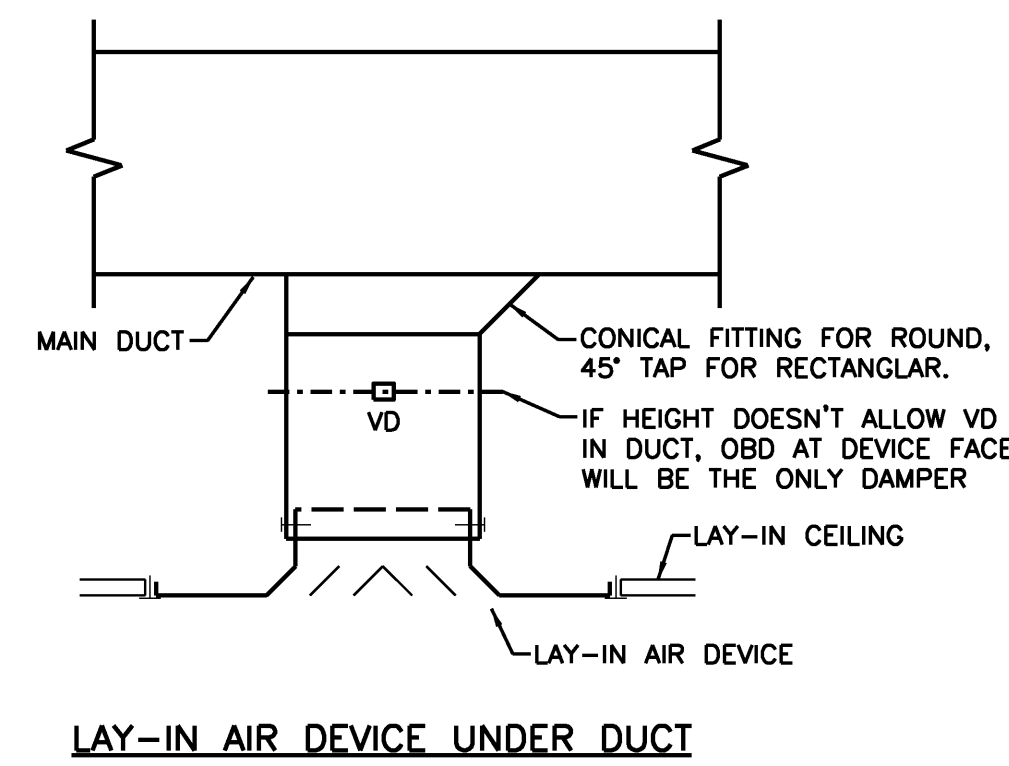
BRANCH DUCT TAKE-OFF B2  
 NO SCALE REF: NA

USE MITERED ONLY WHERE SPACE IS TOO TIGHT FOR RADIUS, OR WHERE INDICATED ON DRAWINGS.



PRIOR TO INSTALLATION OF ANY ELBOWS, SUBMIT TO THE ENGINEER A SAMPLE OF EACH TYPE OF 90-DEGREE ELBOW, AT LEAST 12x12 DUCT SIZE, BUT MAY BE LARGER IF IT IS TO BE USED IN THE PROJECT. DELIVER TO THE ENGINEER'S OFFICE. ALLOW AT LEAST 1 WEEK NOTICE FOR REVIEW. APPROVED SAMPLES MAY BE RETURNED TO THE CONTRACTOR FOR USE IN THE PROJECT - PROVIDE RETURN SHIPPING SERVICES AS REQUIRED

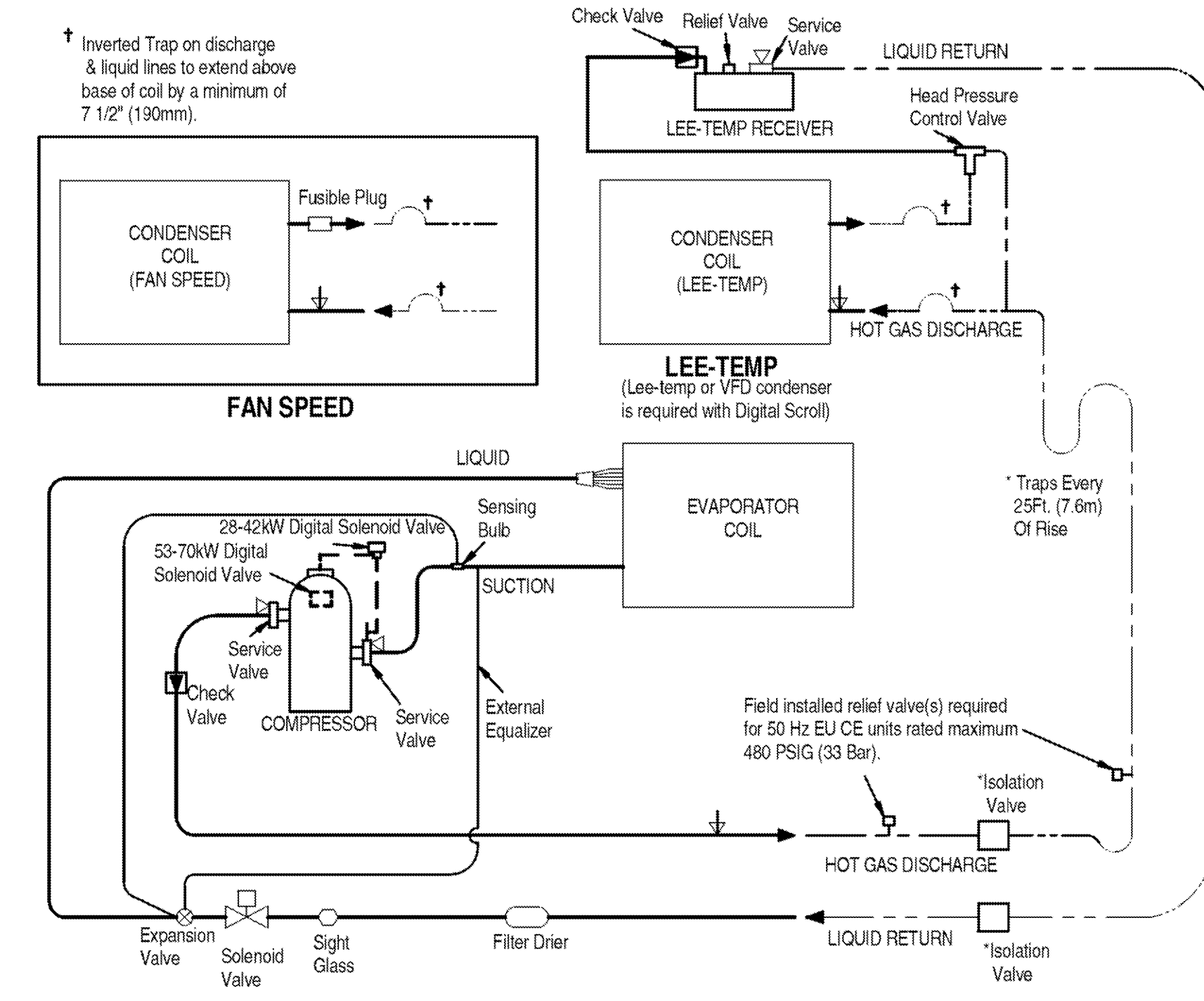
DUCT ELBOW DETAIL B1  
 NO SCALE REF: NA



VOLUME DAMPERS:  
 SEE "BRANCH DUCT TAKE-OFF" DETAIL THIS SHEET.

CEILING AIR DEVICE DETAILS A2  
 NO SCALE REF: NA

LIEBERT DS PIPING SCHEMATIC AIR COOLED W/ SCROLL OR DIGITAL SCROLL COMPRESSOR MODELS



NOTE: TWO REFRIGERATION CIRCUITS PROVIDED. SINGLE REFRIGERATION CIRCUIT SHOWN FOR CLARITY.

--- REFRIGERANT PIPING  
 - - - FIELD PIPING  
 ∇ SERVICE / SCHRAEDER (ACCESS) CONNECTION NO VALVE CORE  
 ↓ SERVICE / SCHRAEDER (ACCESS) CONNECTION WITH VALVE CORE

NOTE: SCHEMATIC REPRESENTATION SHOWN. DO NOT USE FOR SPECIFIC CONNECTION LOCATIONS.

DRN000798 REV 0410 REV 3

CRAC UNIT REFRIGERANT PIPING DIAGRAM A1  
 NO SCALE REF: NA

NOT USED A3  
 NO SCALE REF: NA

UNIVERSITY OF MAINE SYSTEM DATA CENTER UPGRADES  
 Portland, Maine

NA Project No. 09533

Key Plan

Mark	Date	Description
	05-09-2011	ISSUED FOR BID
	04-05-2011	ISSUED FOR 100% REVIEW
	01-24-2011	ISSUED FOR 75% REVIEW

Drawing Status

Drawing Title  
**DETAILS**  
 PA / PE: Drawn By:  
 Drawing Number  
**M30.1**