

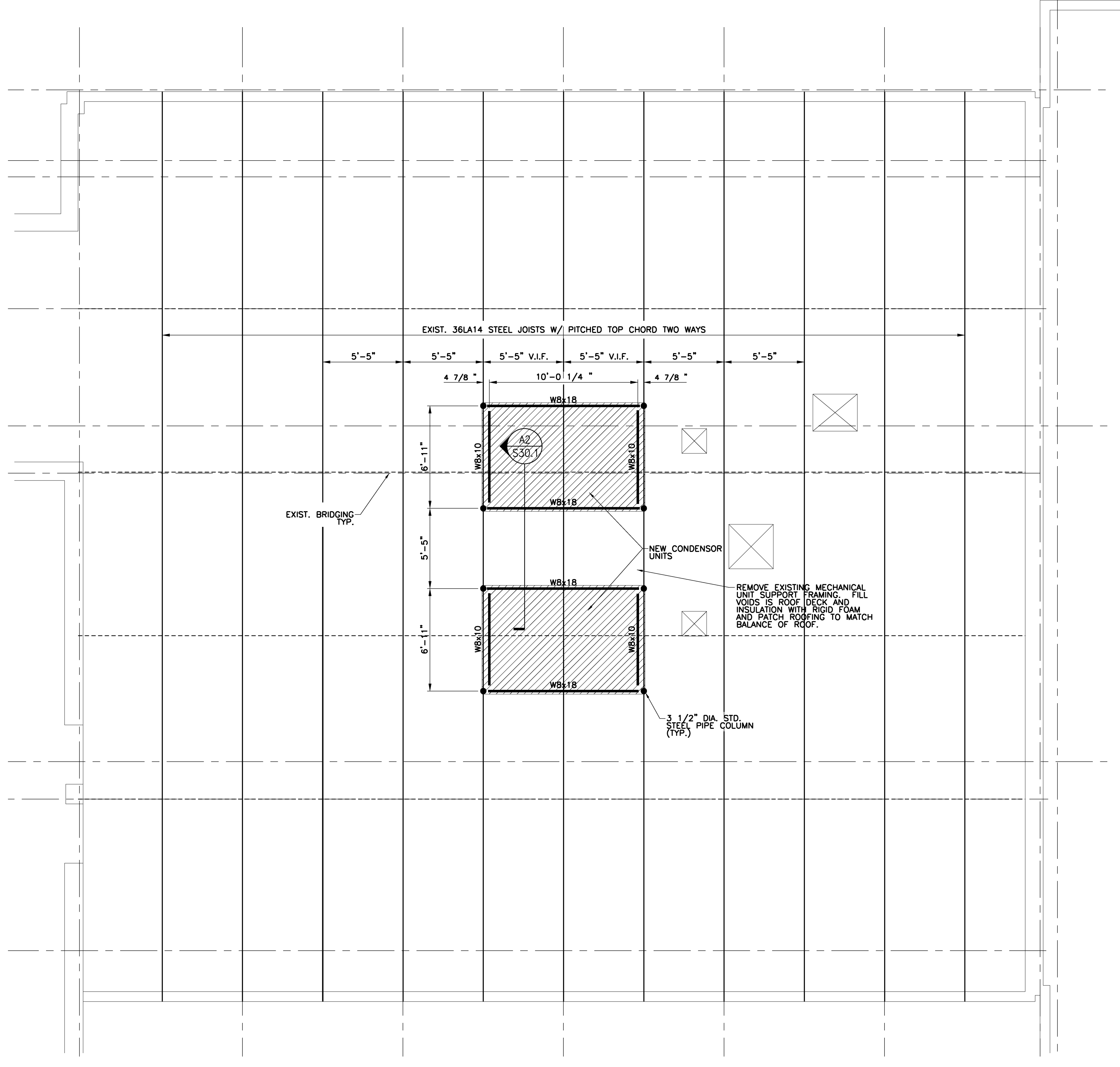
Project Title

**UNIVERSITY OF
MAINE SYSTEM
DATA CENTER
UPGRADES**

Portland, Maine

HA Project No. 09533

Key Plan



Mark	Date	Description
05-09-2011	ISSUED FOR BID	
04-05-2011	ISSUED FOR 100% REVIEW	
01-24-2011	ISSUED FOR 75% REVIEW	

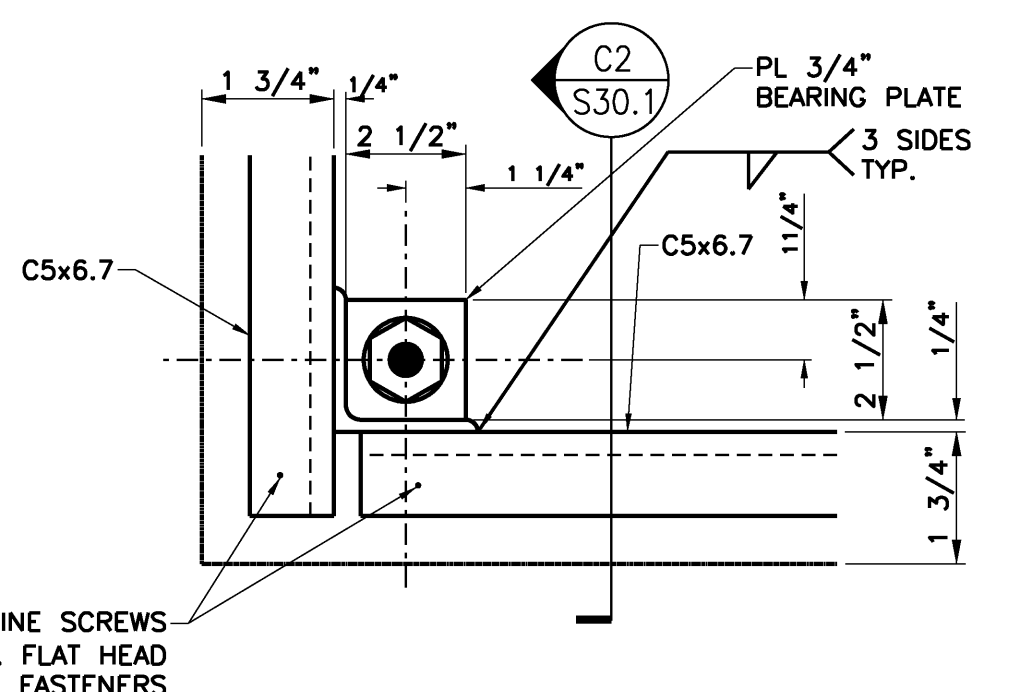
Drawing Status

ROOF FRAMING PLAN

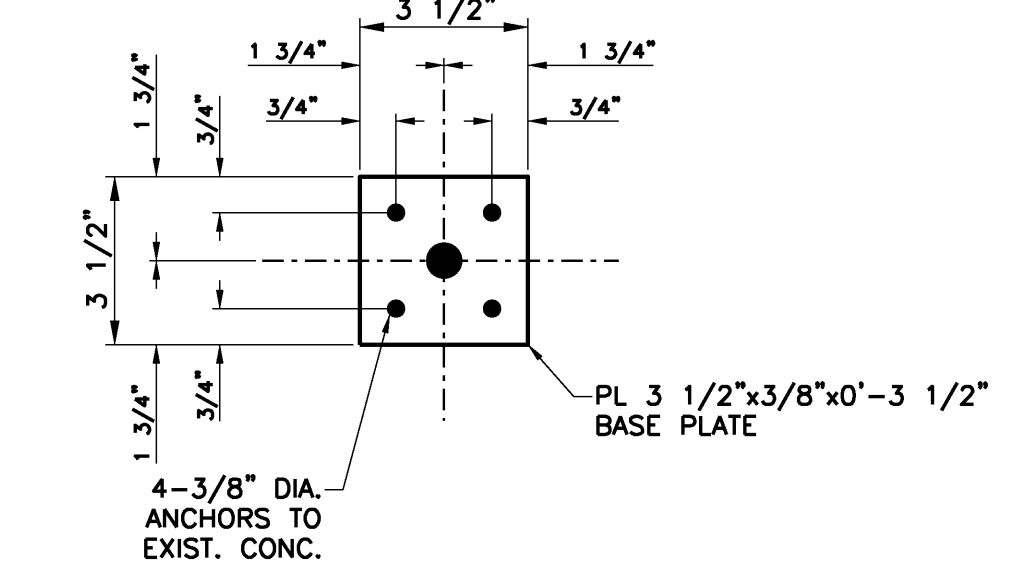
PA / PE: SCH Drawn By:

Drawing Number

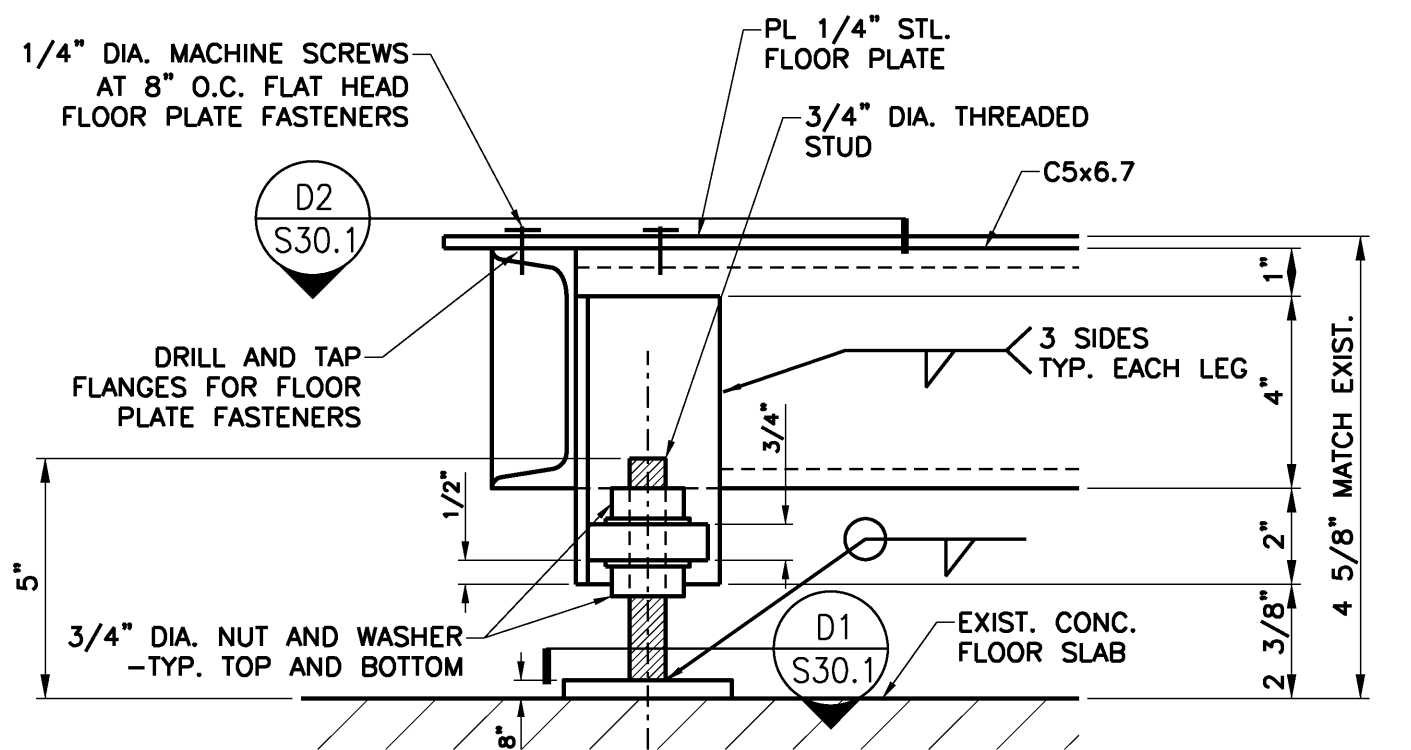
S30.1



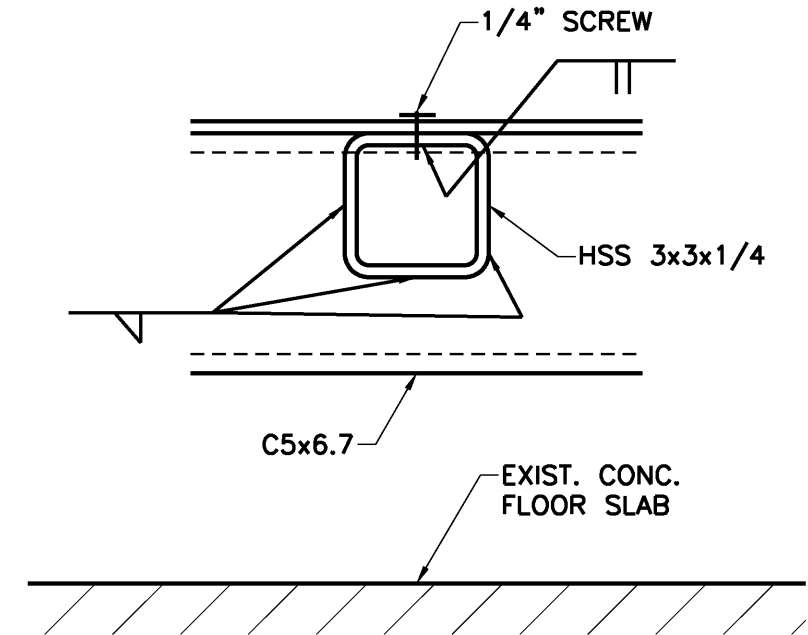
DETAIL
3" = 1'-0" REF: NA **D2**



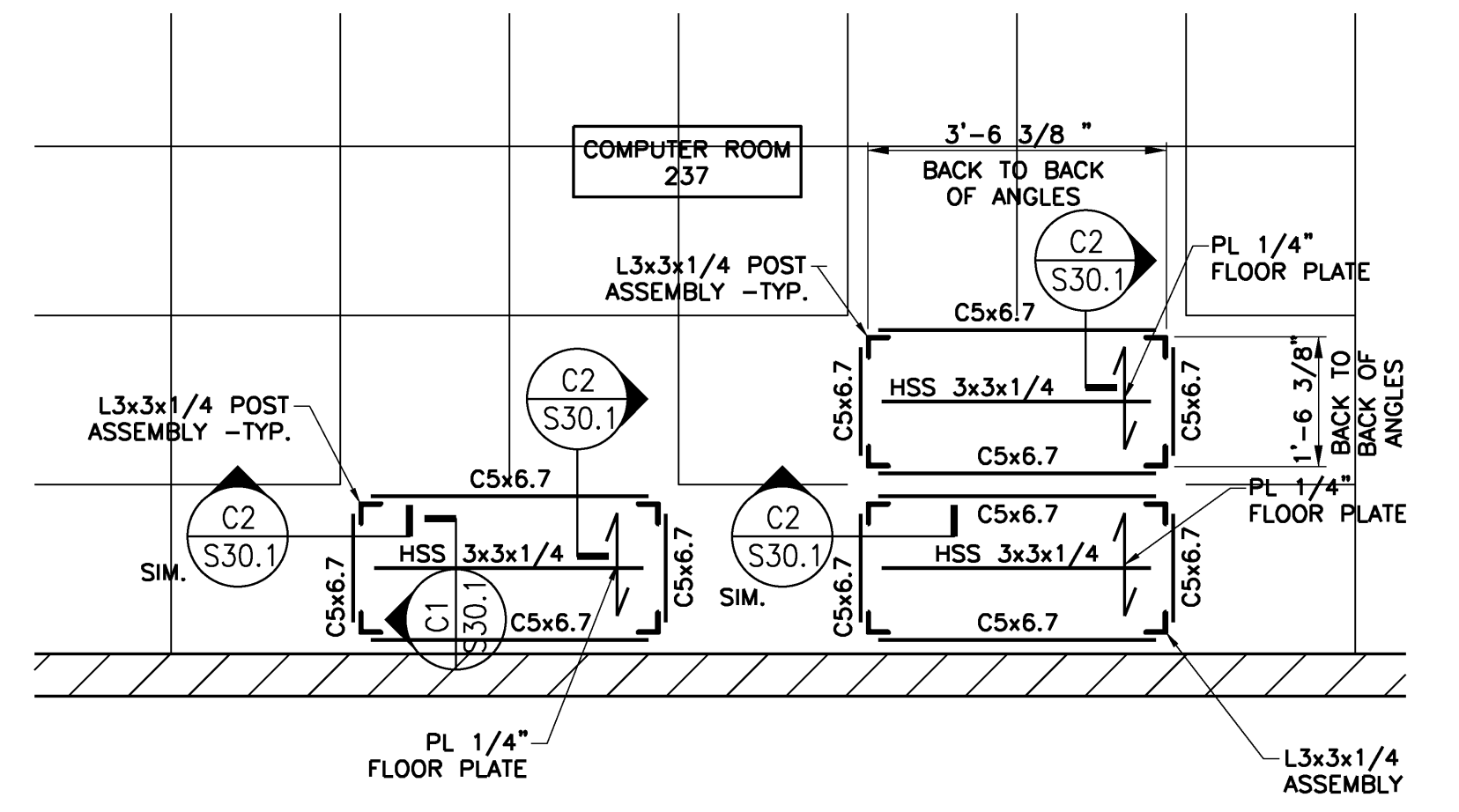
DETAIL
3" = 1'-0" REF: NA **D1**



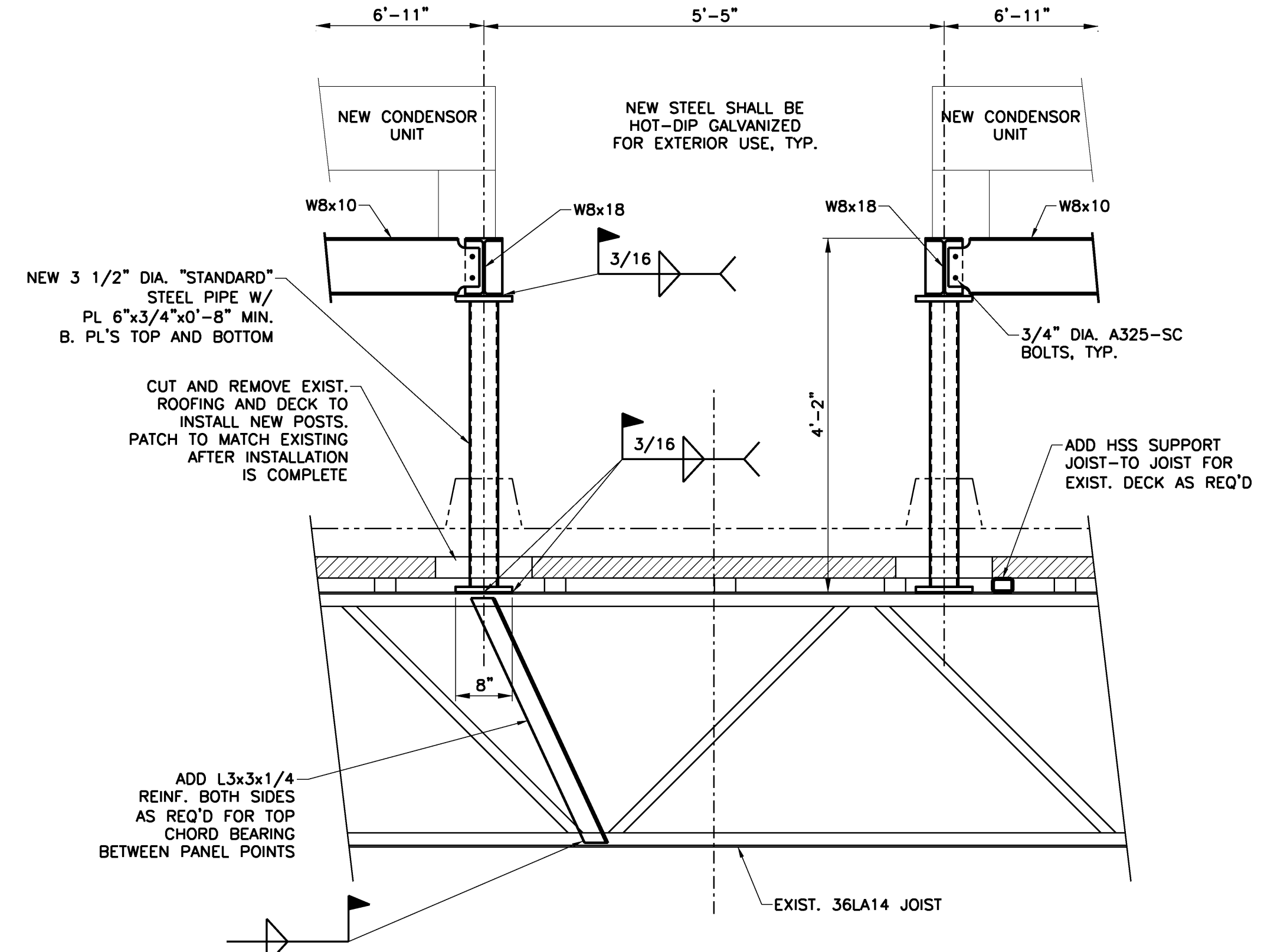
SECTION
3" = 1'-0" REF: NA **C2**



SECTION
3" = 1'-0" REF: NA **C1**



PLAN AT UPS RACK ASSEMBLY
1/2" = 1'-0" REF: NA **B1**



SECTION
3/4" = 1'-0" REF: NA **A2**

ROOF FRAMING PLAN
1/4" = 1'-0" REF: NA **A1**