

**GENERAL STRUCTURAL NOTES**

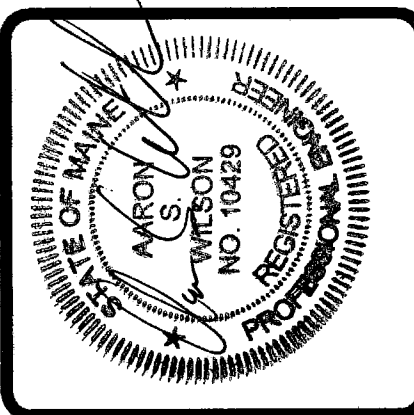
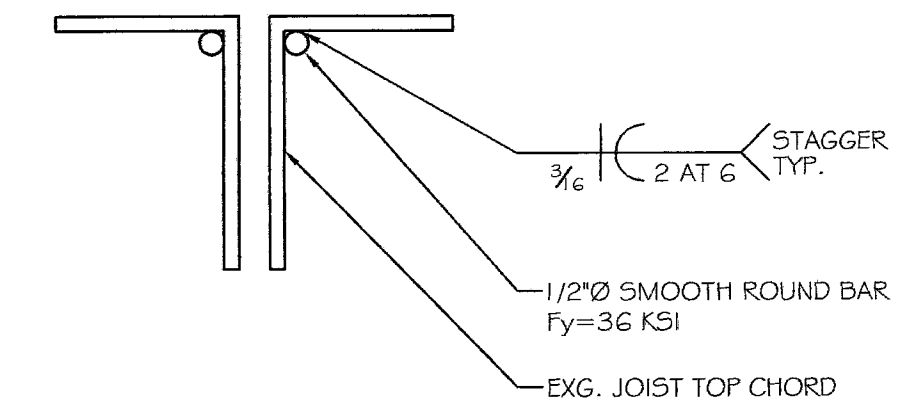
- ALL WORK SHALL CONFORM TO THE REQUIREMENTS OF ALL APPLICABLE STATE AND LOCAL CODES, INCLUDING BUT NOT LIMITED TO:
  - INTERNATIONAL BUILDING CODE - 2003 ED
  - ANSI-ASCE 7-02
  - ACI 318-95 "BUILDING CODE REQUIREMENTS FOR REINFORCED CONCRETE"
  - ACI 301 "SPECIFICATIONS FOR STRUCTURAL CONCRETE FOR BUILDINGS"
  - AISC STEEL CONSTRUCTION MANUAL
  - SISI COLD FORMED STEEL DESIGN MANUAL
  - ANSI-AFPA NDS-2001
- ROOF DESIGN LOADS: SNOW LOAD 35 PSF  
DEAD LOAD 1.2 PSF  
TOTAL ROOF LOAD 47 PSF-BALANCED
- WIND LOADS:  
NOT REQUIRED FOR THIS SCOPE OF WORK.  
SEISMIC ANALYSIS NOT REQUIRED. INCREASE IN DEAD LOAD AS A RESULT OF PROPOSED WORK IS LESS THAN 5 % OF EXISTING ROOF DEAD LOAD
- CONTRACTOR SHALL BRING TO THE ATTENTION OF THE ENGINEER ANY CONDITIONS DIFFERENT FROM THOSE SHOWN ON THE DRAWINGS AND ALSO ANY CONDITIONS THAT PREVENT THE CONTRACTOR'S COMPLETION OF THE WORK AS SHOWN ON THE CONSTRUCTION DRAWINGS.
- ALL WORK SHALL BE PERFORMED BY PERSONS QUALIFIED IN THEIR TRADE AND LICENSED TO PRACTICE SUCH TRADE IN THE STATE IN WHICH THE PROJECT IS LOCATED.
- THESE DRAWINGS SHALL BE USED IN CONJUNCTION WITH ANY ARCHITECTURAL, MECHANICAL, AND ELECTRICAL DRAWINGS, IN ADDITION TO SPECIFICATIONS AND ANY SHOP DRAWINGS PROVIDED BY SUBCONTRACTORS AND SUPPLIERS.
- ALL DIMENSIONS, ELEVATIONS, AND CONDITIONS SHALL BE VERIFIED IN THE FIELD BY GENERAL CONTRACTOR (G.C.) AND ANY DISCREPANCIES SHALL BE BROUGHT TO THE ATTENTION OF THE ENGINEER FOR CLARIFICATION BEFORE PROCEEDING WITH THE AFFECTED PART OF THE WORK.
- UNLESS OTHERWISE NOTED, DETAILS, SECTIONS, AND NOTES SHOWN ON ANY DRAWING SHALL BE CONSIDERED TYPICAL FOR ALL SIMILAR DETAILS.
- THESE DRAWINGS DO NOT SHOW SIZE, LOCATION OR TYPE OF OPENING IN THE FOUNDATION SYSTEM FOR ELECTRICAL, PLUMBING OR MECHANICAL EQUIPMENT. THE GENERAL CONTRACTOR SHALL BE RESPONSIBLE FOR LOCATING THESE ITEMS.
- ALL SHOP DRAWINGS PROVIDED BY OTHERS SHALL BE SUBMITTED TO THE ENGINEER FOR REVIEW PRIOR TO FABRICATION OF MATERIAL OR THE PURCHASE OF NON-RETURNABLE STOCK. DIMENSIONAL REVIEW IS THE CONTRACTOR'S RESPONSIBILITY.
- USE PERIMETER DRAINS WHERE SHOWN. DRAIN TO APPROPRIATE OUTLET.

**STRUCTURAL STEEL NOTES**

- PART 1 - GENERAL**
- STANDARD SPECIFICATIONS
    - FABRICATION, ERECTION, AND WELDING: IN ACCORDANCE WITH THE SPECIFICATIONS FOR STRUCTURAL STEEL BUILDINGS, ALLOWABLE STRESS DESIGN AND PLASTIC DESIGN ADOPTED JUNE 1989, INCLUDING ALL PUBLISHED SUPPLEMENTS. A.I.S.C.
    - WELDING-IN ACCORDANCE WITH THE AMERICAN WELDING SOCIETY "STRUCTURAL WELDING CODE", AWS D1.1, LATEST EDITION.
    - BOLTING OF STRUCTURAL JOINTS SHALL BE IN ACCORDANCE WITH "AISC SPECIFICATIONS FOR STRUCTURAL JOINTS USING ASTM A325 OR A490 BOLTS", LATEST EDITION.
  - QUALIFICATIONS
    - WELDING PROCEDURES, WELDERS, WELDING OPERATIONS AND TACKING: QUALIFIED IN ACCORDANCE WITH AWS CODE.
  - SUBMITTALS
    - SUBMIT FOUR (4) SETS OF SHOP DRAWING PRINTS FOR REVIEW. INDICATE SHOP AND ERECTION DETAILS, INCLUDING CUTS, COPIES, CONNECTIONS, HOLES, THREADED FASTENERS, AND WELDS.
    - PROVIDE SETTING DRAWINGS, TEMPLATES AND DIRECTIONS FOR THE INSTALLATION OF ANCHOR BOLTS AND OTHER DEVICES.
  - PRODUCT HANDLING
    - STORE STRUCTURAL STEEL MEMBERS AT THE PROJECT SITE ABOVE GROUND ON PLATFORMS, SKIDS, OR OTHER SUPPORTS.
    - PROTECT STEEL FROM CORROSION.
- PART 2 - PRODUCTS**
- MATERIALS
    - STRUCTURAL STEEL BEAMS, CHANNELS, AND T-SHAPES - ASTM A572 GR. 50 OR A992.
    - STEEL ANGLES, BARS, AND PLATES - ASTM A-36.
    - STRUCTURAL TUBES AND COLUMNS - ASTM A500, GRADE B.
    - STRUCTURAL PIPE - ASTM A53, TYPE E, GRADE B, SCHEDULE 40.
    - HIGH STRENGTH BOLTS  $\frac{3}{4}$ " ASTM A-325, TYPE 1 OR 2.
    - ANCHOR BOLTS - ASTM A-307, GRADE A.
- PART 3 - EXECUTION**
- FABRICATION
    - FABRICATE STRUCTURAL STEEL IN ACCORDANCE WITH THE REQUIREMENTS OF THE DRAWINGS AND THIS SECTION OF THE SPECIFICATIONS.

**STRUCTURAL STEEL NOTES, CONT.**

- 3.02 ERECTION**
- THE STRUCTURAL METAL SHALL BE ERECTED PLUMB AND TRUE TO THE LINES AND EVALUATIONS INDICATED ON THE DRAWINGS.
  - ERECTION TOLERANCES SHALL BE WITHIN THE LIMITS SPECIFIED IN SECTION 7.1.1 OF THE "AISC CODE OF STANDARD PRACTICE".
  - TEMPORARY CONNECTIONS SHALL BE ADEQUATE TO SAFELY SUPPORT ALL DEAD LOAD AND ERECTION IMPOSED STRESSES.
  - TEMPORARY BRACING SHALL BE PROVIDED WHEREVER NECESSARY TO HOLD THE STEEL IN A HORIZONTAL AND VERTICAL PLANE UNTIL PERMANENT BOLTING HAS BEEN COMPLETED.
  - BOLTS SHALL BE INSTALLED IN PROPERLY ALIGNED HOLES AND BROUGHT TO "SNUG TIGHT" CONDITION. ALL PILES OF JOINT IN FIRM CONTACT. IN ACCORDANCE WITH SECTION 8u (C) OF THE BOLT SPECIFICATION OF SECTION 1.01 C OF THIS SPECIFICATION.
  - ENLARGEMENT OF HOLES BY BURNING WITH A TORCH SHALL NOT BE ALLOWED. ALL STEEL WITH BURNT HOLE ENLARGEMENTS SHALL BE REMOVED AND REPLACED AT THE CONTRACTOR'S EXPENSE.
- 3.03 PAINTING**
- SHOP PAINT PREPARED SURFACES OF ALL STEEL WORK WITH FABRICATORS STANDARD RUST INHIBITIVE PAINT, MINIMUM 2.0 MIL THICKNESS, COMPATIBLE WITH BASE COAT.
  - SURFACE PREPARE ALL FABRICATED STEEL TO RECEIVE SHOP PRIME (ONLY), TO A MINIMUM OF HAND TOOL CLEAN OR EQUIVALENT AS DICTATED BY CONDITION OF PRODUCT AT TIME OF PAINTING.
  - PROVIDE BRUSH BLAST OR HANDTOOL SURFACE PREP FOR ALL FABRICATION TO RECEIVE A TOP COAT OF PAINT.

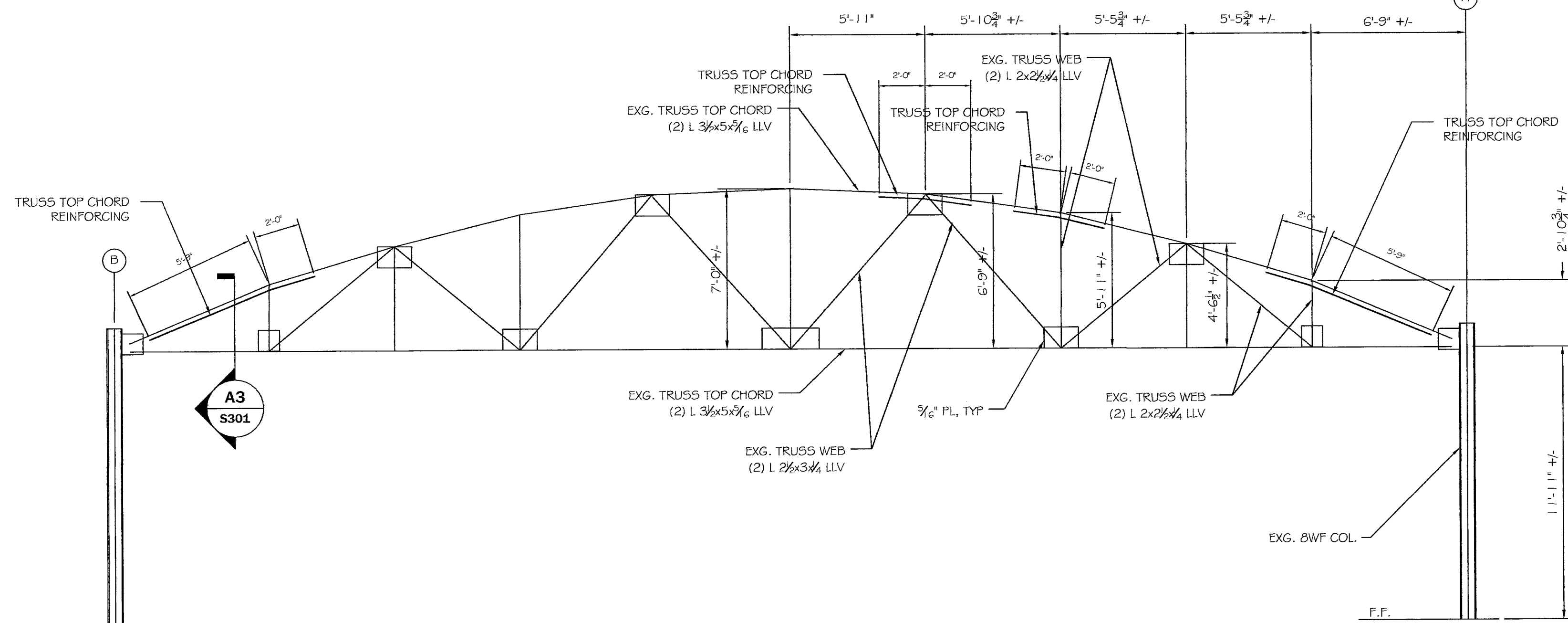
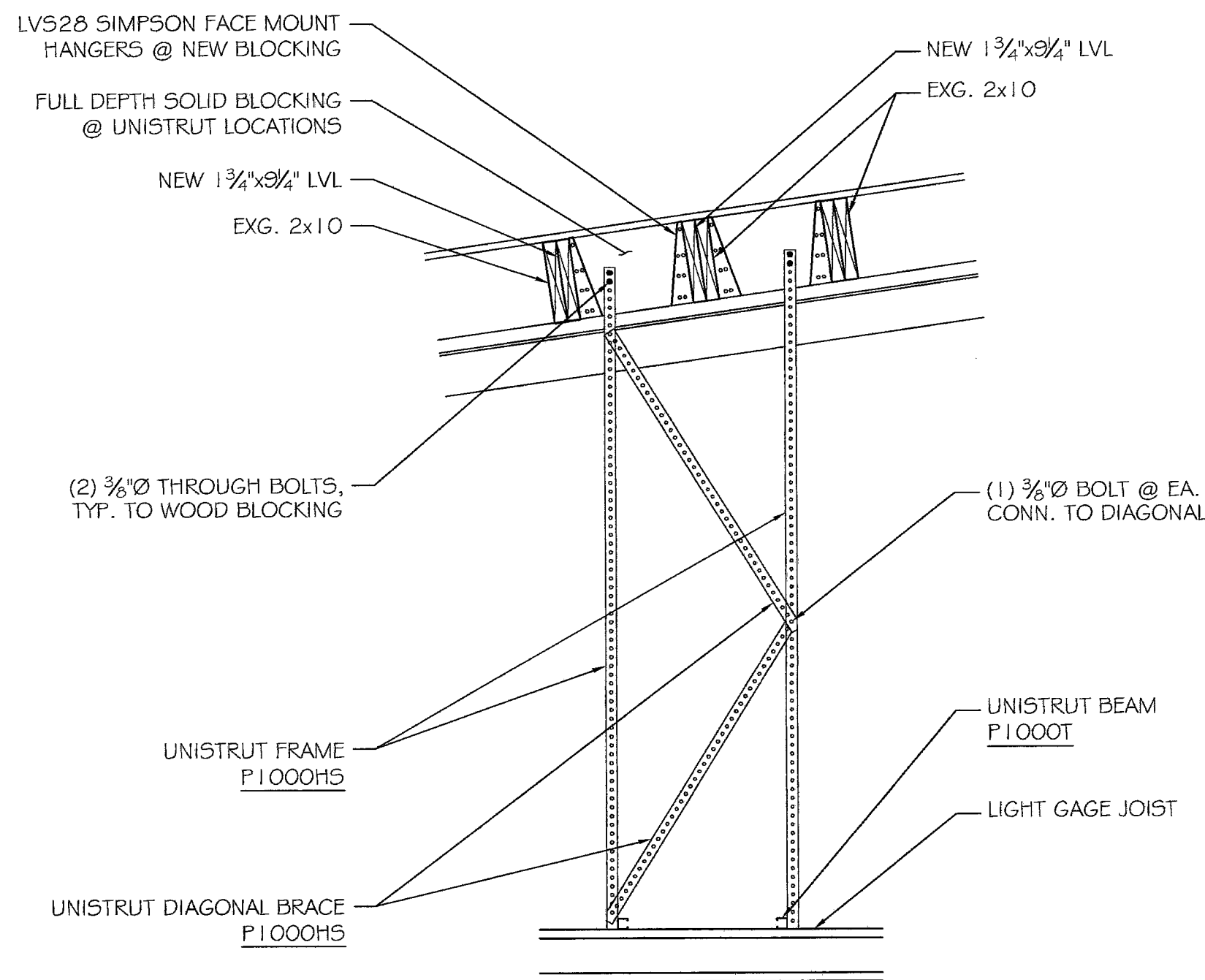


**ASSOCIATED DESIGN PARTNERS INC.**  
 Office: (207) 878-1751  
 Fax: (207) 878-1788  
 E-Mail: odp@edpartnersinc.com  
 80 Leighton Road  
 Falmouth, Maine 04105

THIS DRAWING, DESIGN AND ELECTRONIC FILE ARE THE PROPERTY OF ASSOCIATED DESIGN PARTNERS, INC. THE REPRODUCTION, COPYING OR ANY OTHER USE OF THIS DOCUMENT WITHOUT WRITTEN CONSENT IS PROHIBITED.

**GENERAL NOTES**

**A3 S301 TRUSS TOP CHORD REINFORCING**  
 SCALE: 3" = 1'-0"



**A2 S101 TYP. FRAME CONNECTION**  
 SCALE: 3/4" = 1'-0"

**A1 S101 TRUSS T1 & T2 SECTION**  
 SCALE: 1/4" = 1'-0"

**USM CAMPUS CENTER**  
 PORTLAND, MAINE  
 FOR: CONSIGLI CONSTRUCTION  
 SHEET TITLE: SOFFIT SUPPORT DETAILS ISSUED FOR PERMITTING

REVISIONS	DATE
No.	BY
1	ASW
2	ASW
3	ASW
4	ASW

DATE : 06-22-06  
 SCALE : AS NOTED  
 DESIGN BY: ASW  
 DRAWN BY: RSC  
 PROJECT NUMBER:  
**06164**  
 SHEET NO:  
**S301**