

LIGHTING

Table of lighting symbols and descriptions including 2x4 fluorescent fixture, 1x4 fluorescent fixture, 2x2 fluorescent fixture, etc.

COMMUNICATION & DATA SYSTEMS

Table of communication and data system symbols and descriptions including telephone system wall jack, data system outlet, etc.

POWER

Table of power symbols and descriptions including non-fused safety switch, fused safety switch, magnetic motor starter, etc.

GROUNDING

Table of grounding symbols and descriptions including ground rod, exothermic weld connection, etc.

NURSE CALL SYSTEM

Table of nurse call system symbols and descriptions including nurse call call light, patient call button, etc.

LINE TYPES

Table of line types including existing, new, and demolition lines.

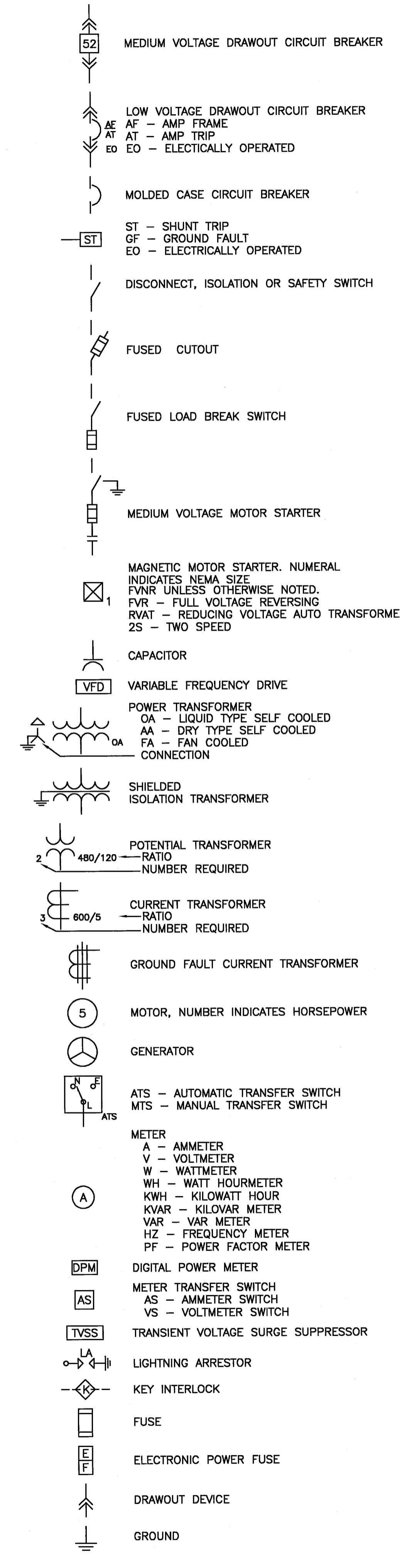
FIRE ALARM

Table of fire alarm symbols and descriptions including fire alarm control panel, fire alarm annunciator, fire alarm master box, etc.

SECURITY SYSTEMS

Table of security system symbols and descriptions including 2-way ceiling mounted intercom speaker, ceiling mounted paging speaker, etc.

ONE LINE DIAGRAM



ABBREVIATIONS

Table of abbreviations and their meanings including A AMP AMPERE, AFF ABOVE FINISHED FLOOR, etc.

GENERAL NOTES:

- List of general notes including: 1. ALL WORK SHALL BE PERFORMED IN ACCORDANCE WITH NFPA-70, NATIONAL ELECTRICAL CODE (NEC). 2. ALL MOTOR SAFETY SWITCHES, DISCONNECTS AND MOTOR STARTERS ARE PROVIDED BY DIVISION 16000 UNLESS NOTED AS FURNISHED WITH EQUIPMENT (FWE).

GENERAL NOTE

1. ALL GENERAL NOTES, SYMBOL LISTS, AND DETAILS ARE TO BE CONSIDERED AS APPLICABLE TO ALL ELECTRICAL DRAWINGS FOR THIS PROJECT. SYMBOLS AND ABBREVIATIONS SHOWN ON THIS SHEET ARE FOR REFERENCE ONLY AND DO NOT INDICATE THEIR INCORPORATION IN THE DESIGN.

ESB E.S. BOULOS CO ELECTRICAL CONTRACTORS 45 BRADLEY DRIVE WESTBROOK, ME 04092 TEL: (207) 464-3706 FAX: (207) 464-1833

SMRT ARCHITECTURE ENGINEERING PLANNING 144 Fore Street P.O. Box 618 Portland, Maine 04104 Tel: (207) 772-3946 Fax: (207) 772-1070

STATE OF MAINE PROFESSIONAL ENGINEER DANIEL J. BOBETTS NO. 08836

UNIVERSITY OF MAINE KITCHEN RENOVATIONS PORTLAND & GORHAM CAMPUS ISSUED FOR CONSTRUCTION 6-23-06

GRAPHIC SCALE: 0" = 1" PROJECT MANAGER: DJT DATE: 6-23-06 U/C/DRAWN BY: LAM A/E OF RECORD: DJT CAD FILE: E-001-06107 PROJECT NO: 06107 DATE: 6-23-06 SHEET TITLE: LEGEND & GENERAL NOTES SHEET No. E-001