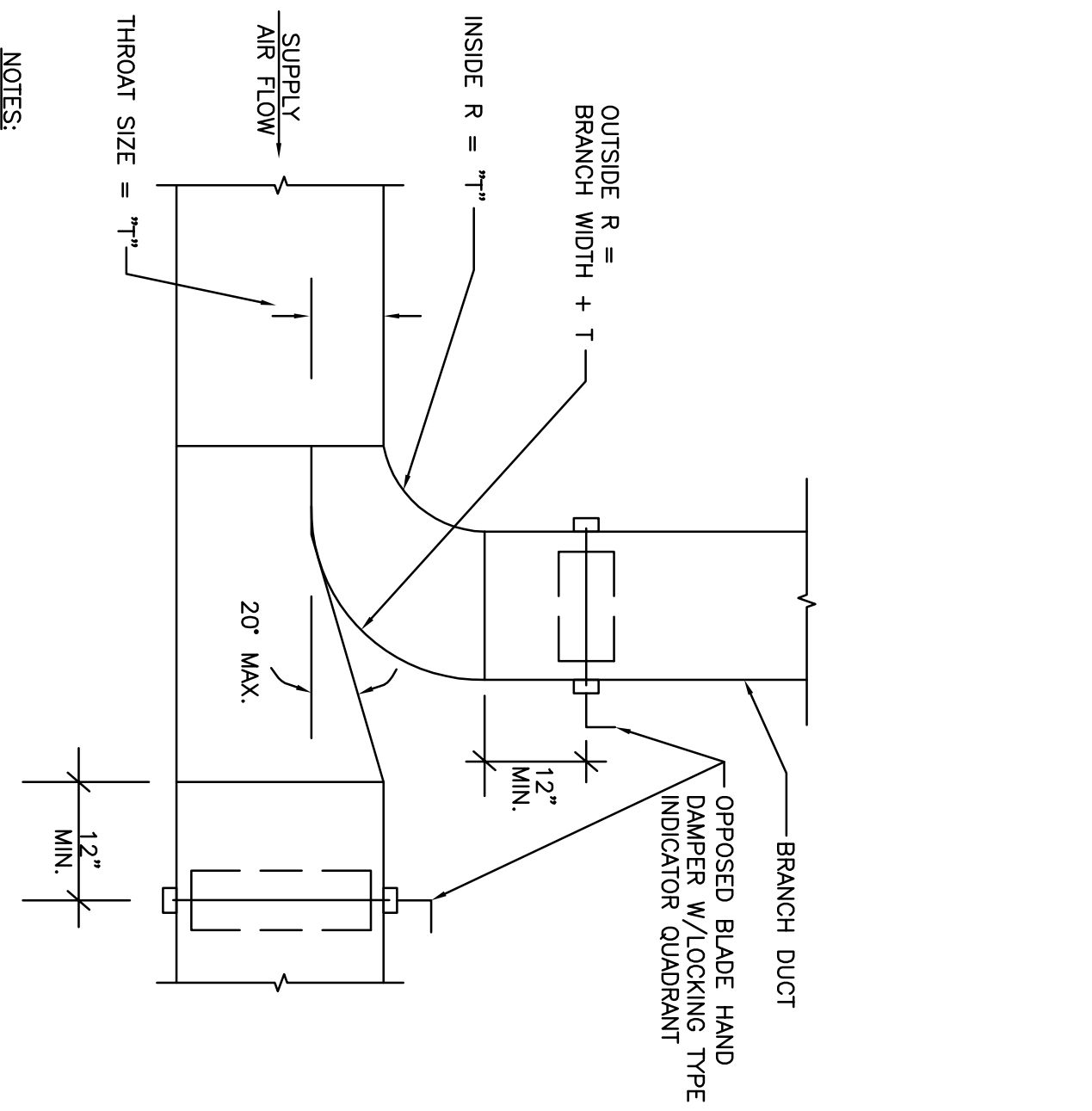
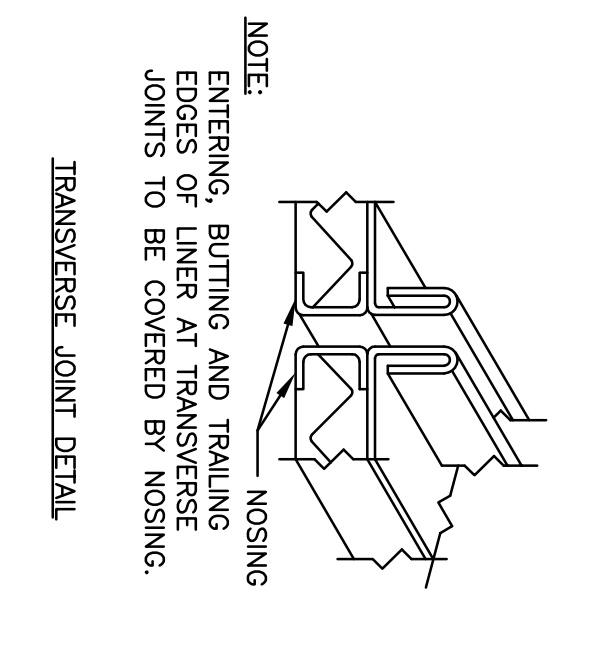


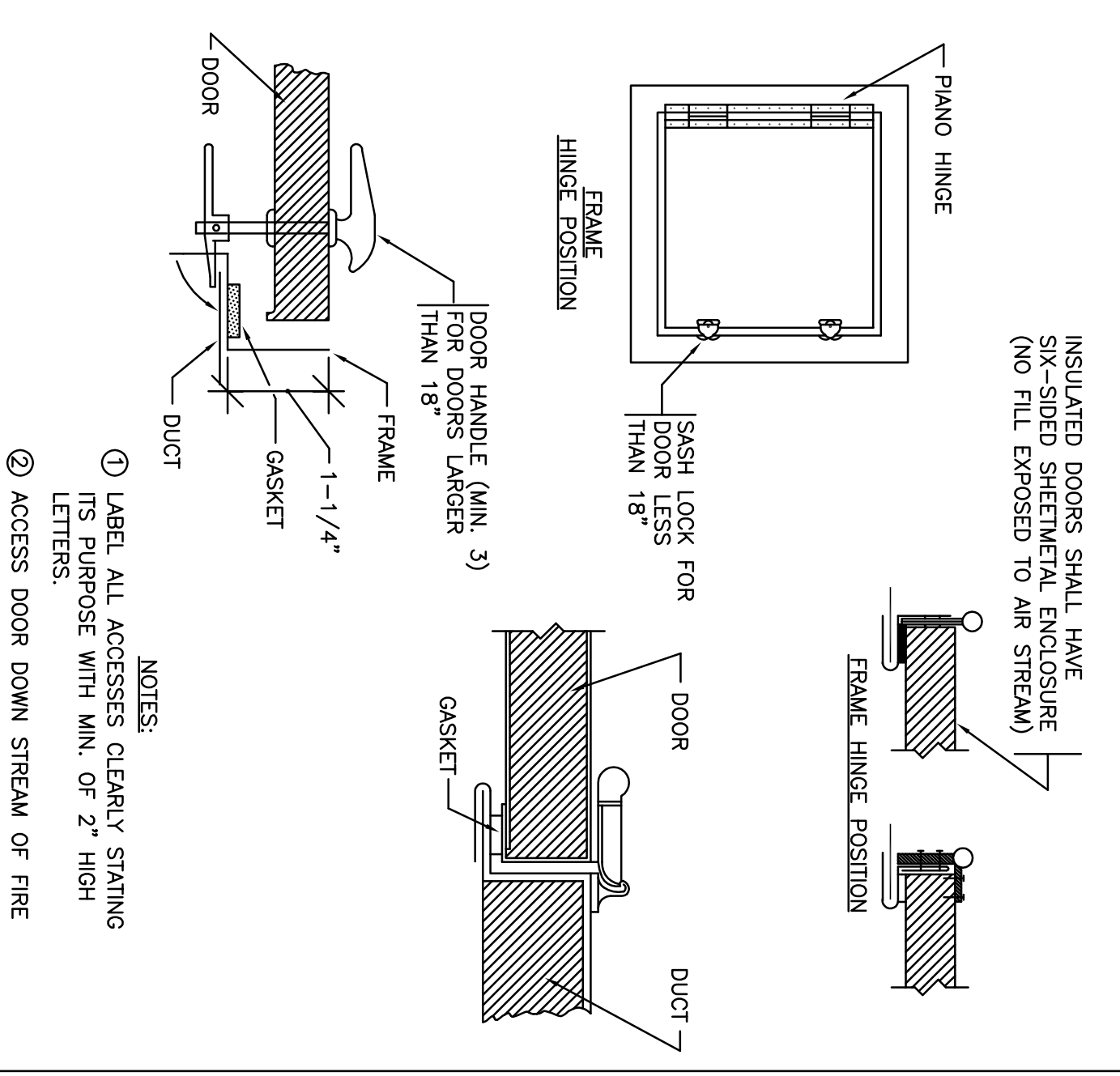
**5 DUCT LINING NOSING**  
SCALE: NONE

GENERAL NOTES:  
 1. NOSING ATTACHED TO DUCT BY 2 NOSING, 24 GA. UP TO 48" OVER  
 2. 48" SAME GA. AS DUCT.



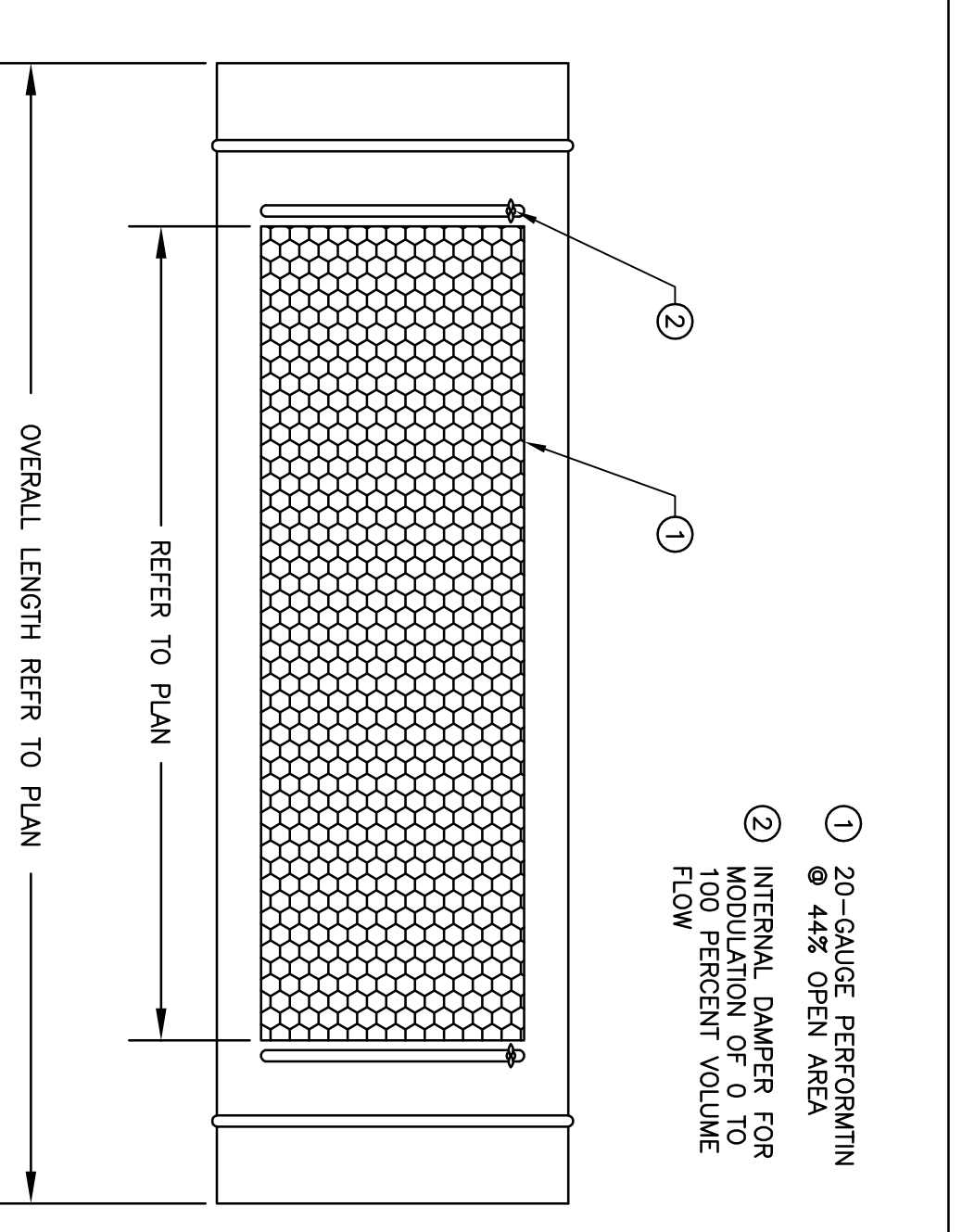
**4 RECTANGULAR LOW PRESSURE DUCT BRANCH W/ THROAT & VOLUME DAMPER**  
SCALE: NONE

GENERAL NOTES:  
 1. SUPPORT PLENUM FROM FLOOR OR STRUCTURE ABOVE W/ GALVANIZED STEEL ANGLES AND CHANNELS.



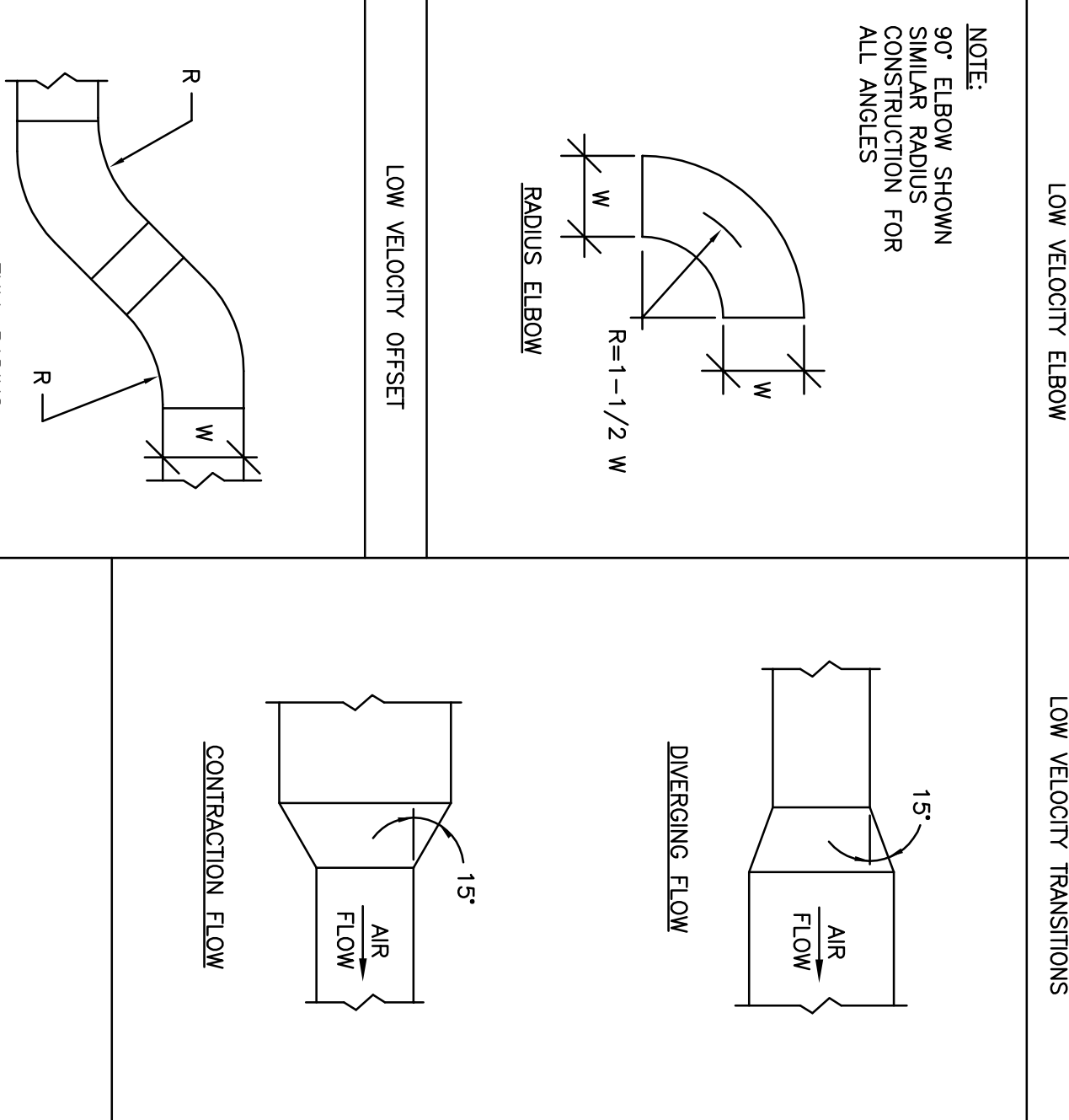
**10 DUCT ACCESS DOOR**  
SCALE: NONE

GENERAL NOTES:  
 1. LABEL ALL ACCESS DOORS CLEARLY STATING ITS PURPOSE WITH MIN. OF 2" HIGH LETTERS.  
 2. ACCESS DOOR DOWN STREAM OF FIRE DAMPERS, SMOKE DAMPERS OR AUTOMATIC DAMPERS SHALL BE OF THE PRESSURE RELIEF TYPE AND SHALL ALLOW AIR TO FLOW INTO THE DUCT UNDER HIGH NEGATIVE STATIC PRESSURE.

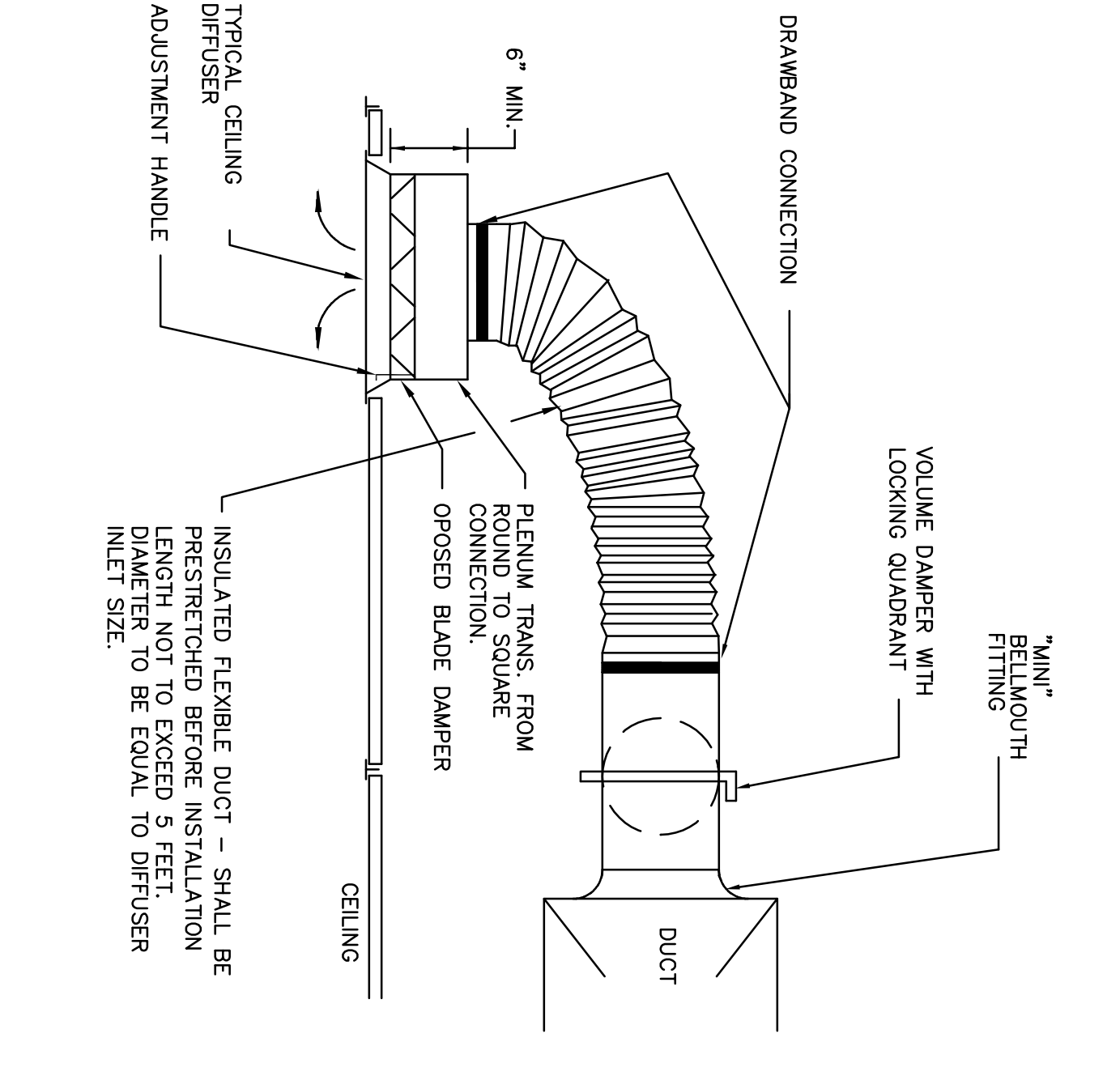
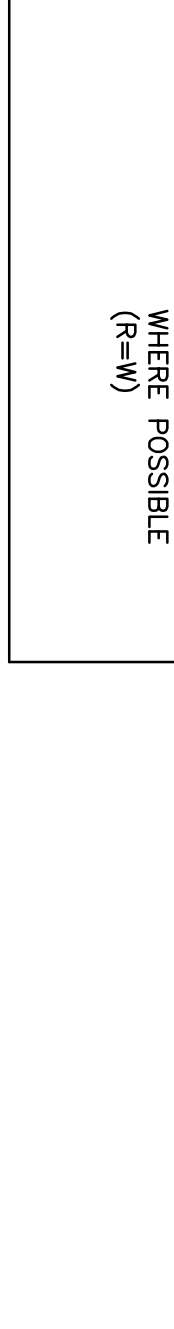


**15 DUCT-D-R-FUSER DETAIL**  
SCALE: NONE

GENERAL NOTES:  
 1. ALL BLAST GATE SLITS TO BE DRILLED AS SHOWN WITH 1/16" & NUMBER OF HOLES TO BE SPECIFIED TO ALLOW GATE TO OPERATE IN EITHER OPEN OR CLOSED POSITION.  
 2. PIN HOLES LOCATED OUTSIDE AIR STREAM MASTER HANDLE IN CAST FRAME TO ACCEPT PINLOCKS.

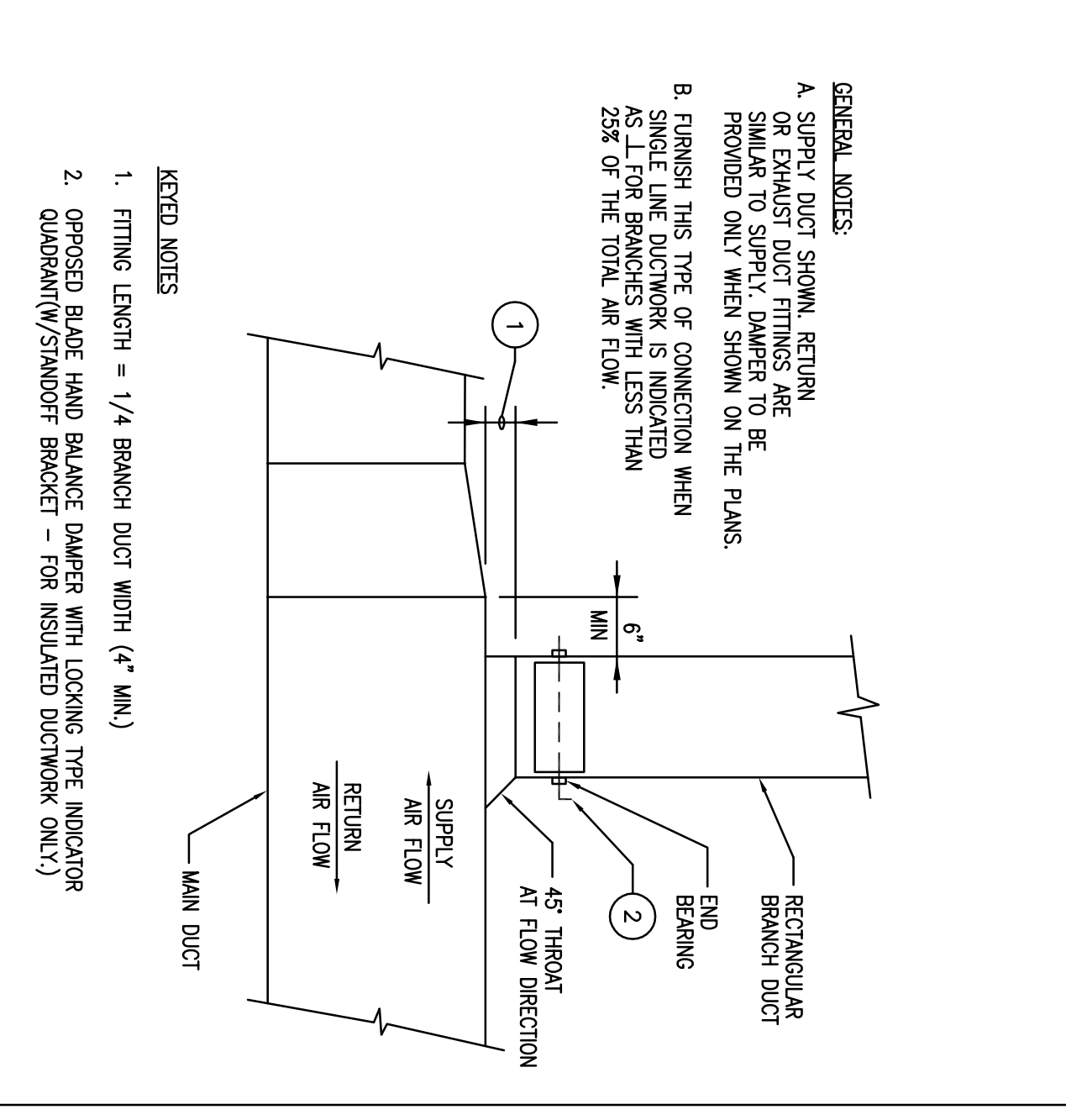


**3 LOW PRESSURE TRANSITIONS, OFFSETS, & ELBOWS**  
SCALE: NONE



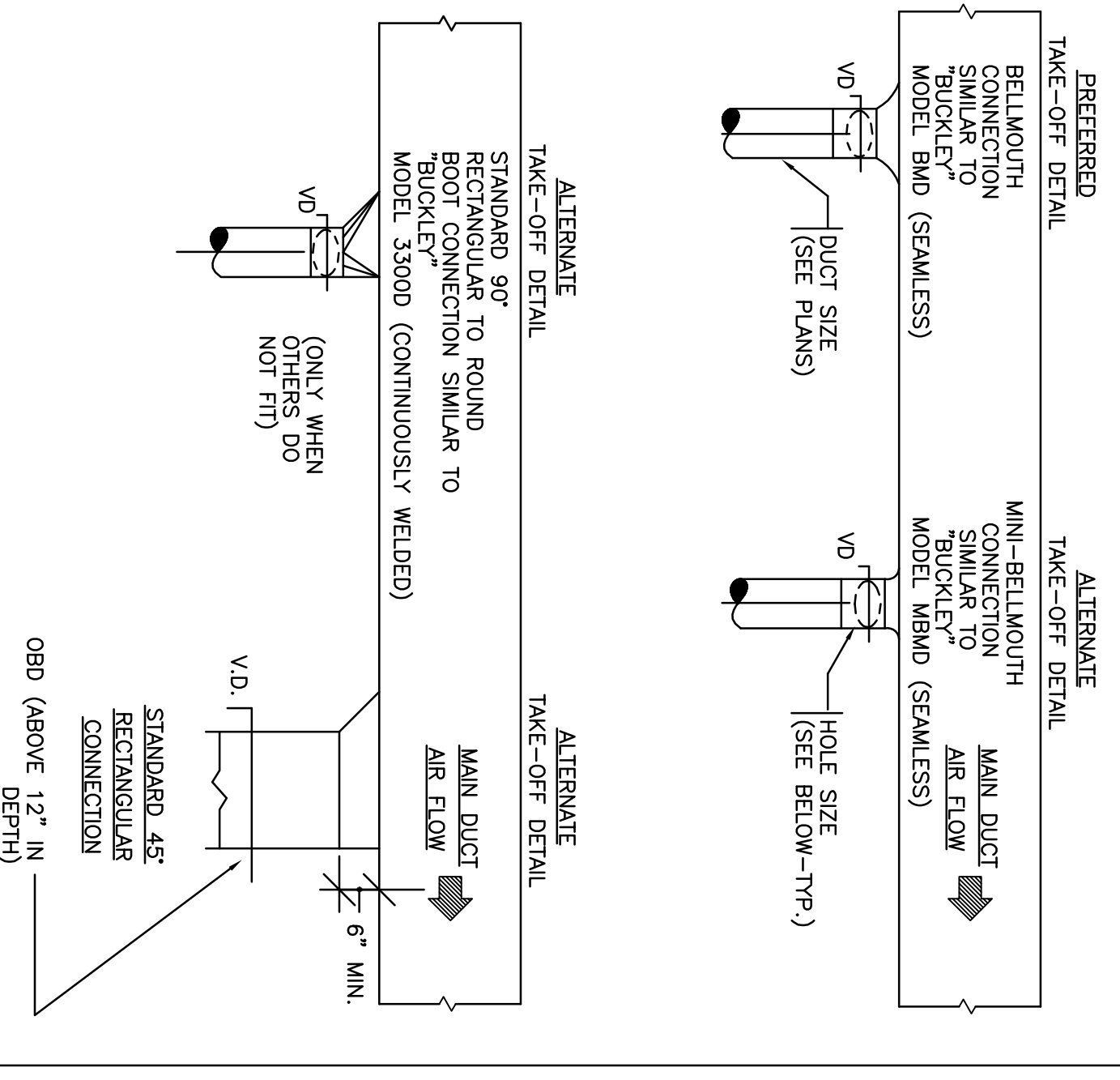
**8 TYPICAL DIFFUSER TAKEOFF**  
SCALE: NONE

GENERAL NOTES:  
 1. INSULATED RECYCLE DUCT - SHALL BE PRESTRETCHED BEFORE INSTALLATION. LENGTH NOT TO EXCEED 5 FEET. DIAMETER TO BE EQUAL TO DIFFUSER INLET SIZE.



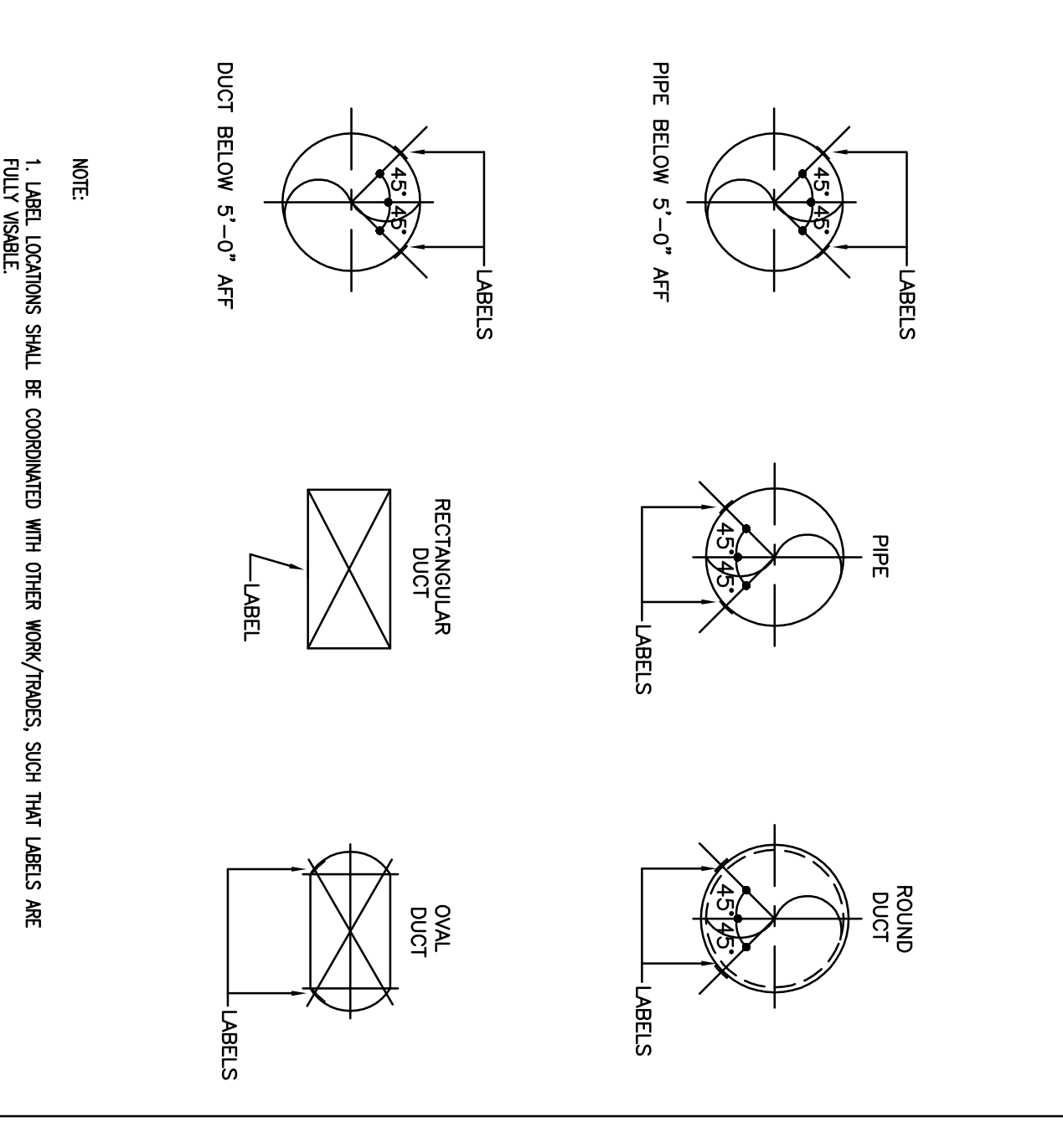
**2 RECTANGULAR 45° DUCT TAP WITH VOLUME DAMPER**  
SCALE: NONE

GENERAL NOTES:  
 1. SUPPLY DUCT SIGNAL RETURN OR EXHAUST DUCT FITTINGS ARE PROVIDED ONLY WHEN SHOWN ON THE PLANS.  
 2. BRIDGE THE TYPE OF CONNECTION WHEN AS L FOR BRANCHES WITH LESS THAN 25% OF THE TOTAL AIR FLOW.

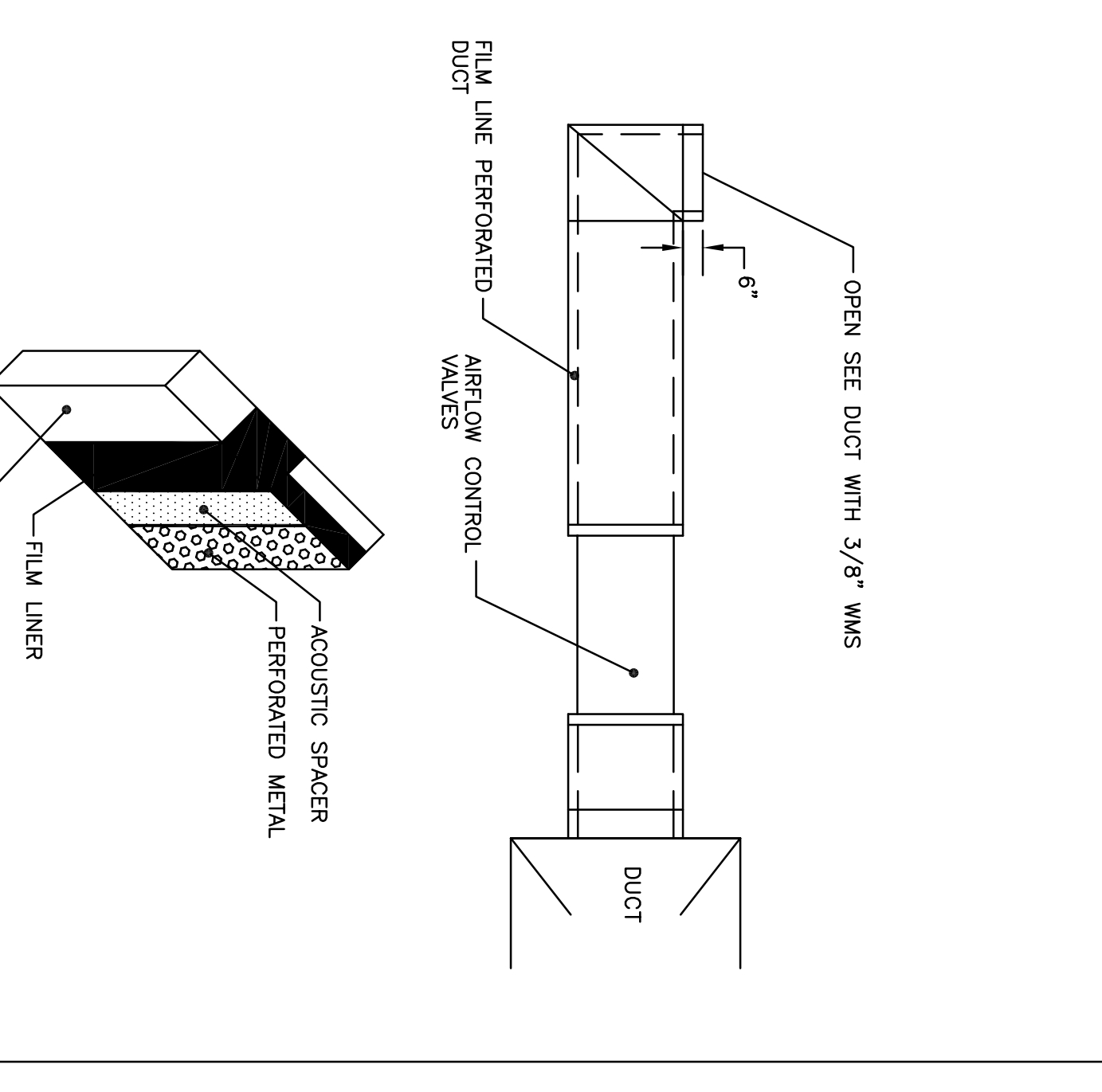


**7 LOW PRESSURE DUCT TAKEOFFS**  
SCALE: NONE

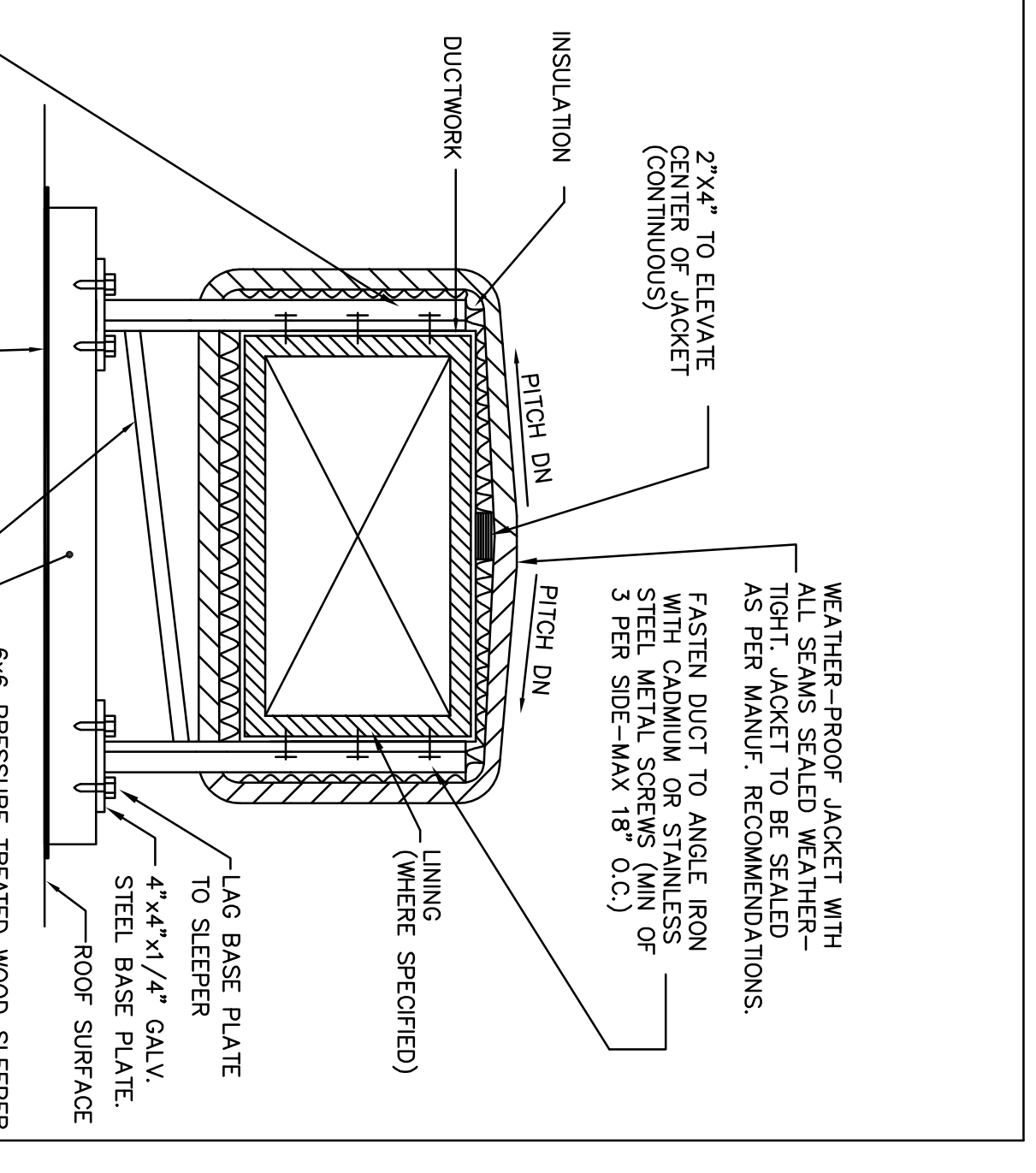
GENERAL NOTES:  
 1. ALTERNATE FITTINGS SHALL BE USED WHEN DUCT HEIGHT DOES NOT PERMIT THE USE OF THE PREFERRED TAKE-OFF DETAIL. SUBMIT FITTINGS FOR REVIEW BY ENGINEER PRIOR TO INSTALLATION.



**1 DUCT & PIPE IDENTIFICATION LABELING**  
SCALE: NONE

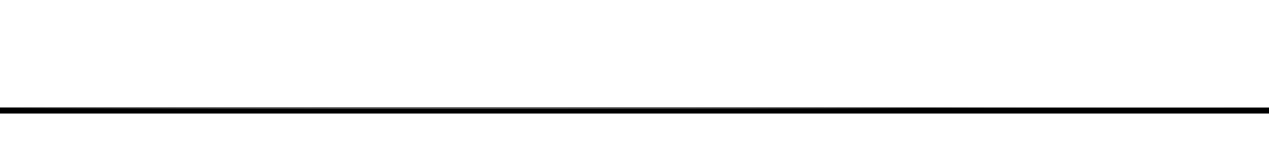


**6 TYPICAL PERFORATED INLINE RETURN**  
SCALE: NONE



**11 ROOF MOUNTED DUCTWORK SUPPORT DETAIL**  
SCALE: NONE

GENERAL NOTES:  
 1. WEATHER-PROOF JACKET WITH ALL SEAMS SEALED WEATHER-RESISTANT AS PER MANUF. RECOMMENDATIONS.  
 2. FASTEN DUCT TO ANGLE IRON WITH 3/8" DIA. STEEL METAL SCREWS (MIN. OF 3 PER SIDE-MAX 18" O.C.).



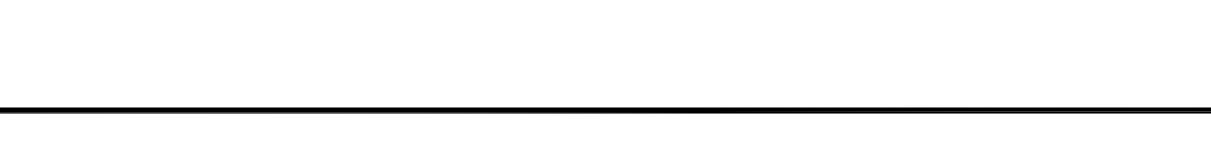
**12 DUCT HANGER <52" WIDE DETAIL**  
SCALE: NONE

GENERAL NOTES:  
 1. SEE HANGER DETAIL SHEET FOR ATTACHMENT TO STRUCTURE.



**13 TYPICAL RETURN BOOT DETAIL**  
SCALE: NONE

GENERAL NOTES:  
 1. REFER TO PLANS FOR DIMENSIONS.



**14 BLAST GATE DETAIL**  
SCALE: NONE

GENERAL NOTES:  
 1. ALL BLAST GATE SLITS TO BE DRILLED AS SHOWN WITH 1/16" & NUMBER OF HOLES TO BE SPECIFIED TO ALLOW GATE TO OPERATE IN EITHER OPEN OR CLOSED POSITION.  
 2. PIN HOLES LOCATED OUTSIDE AIR STREAM MASTER HANDLE IN CAST FRAME TO ACCEPT PINLOCKS.