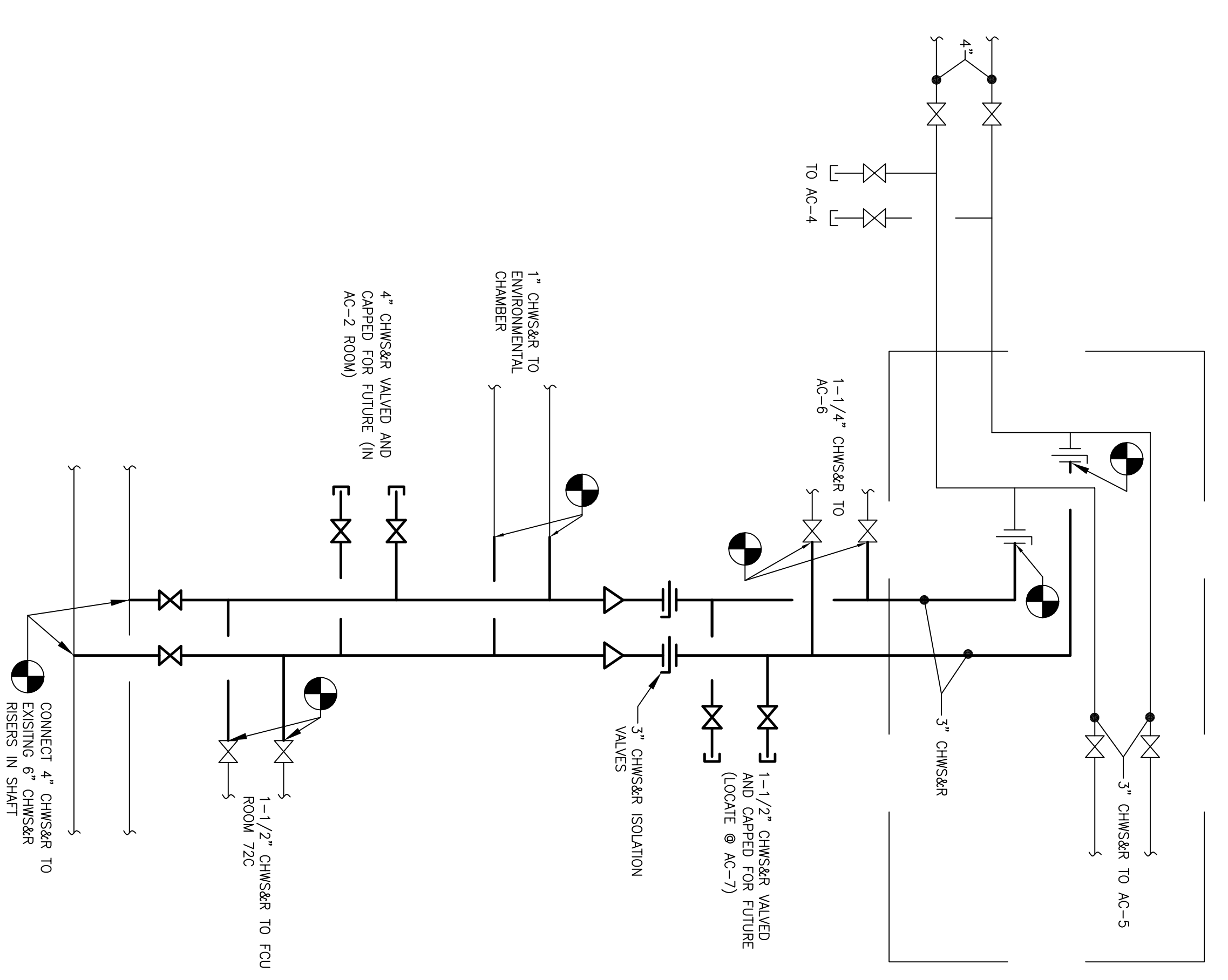
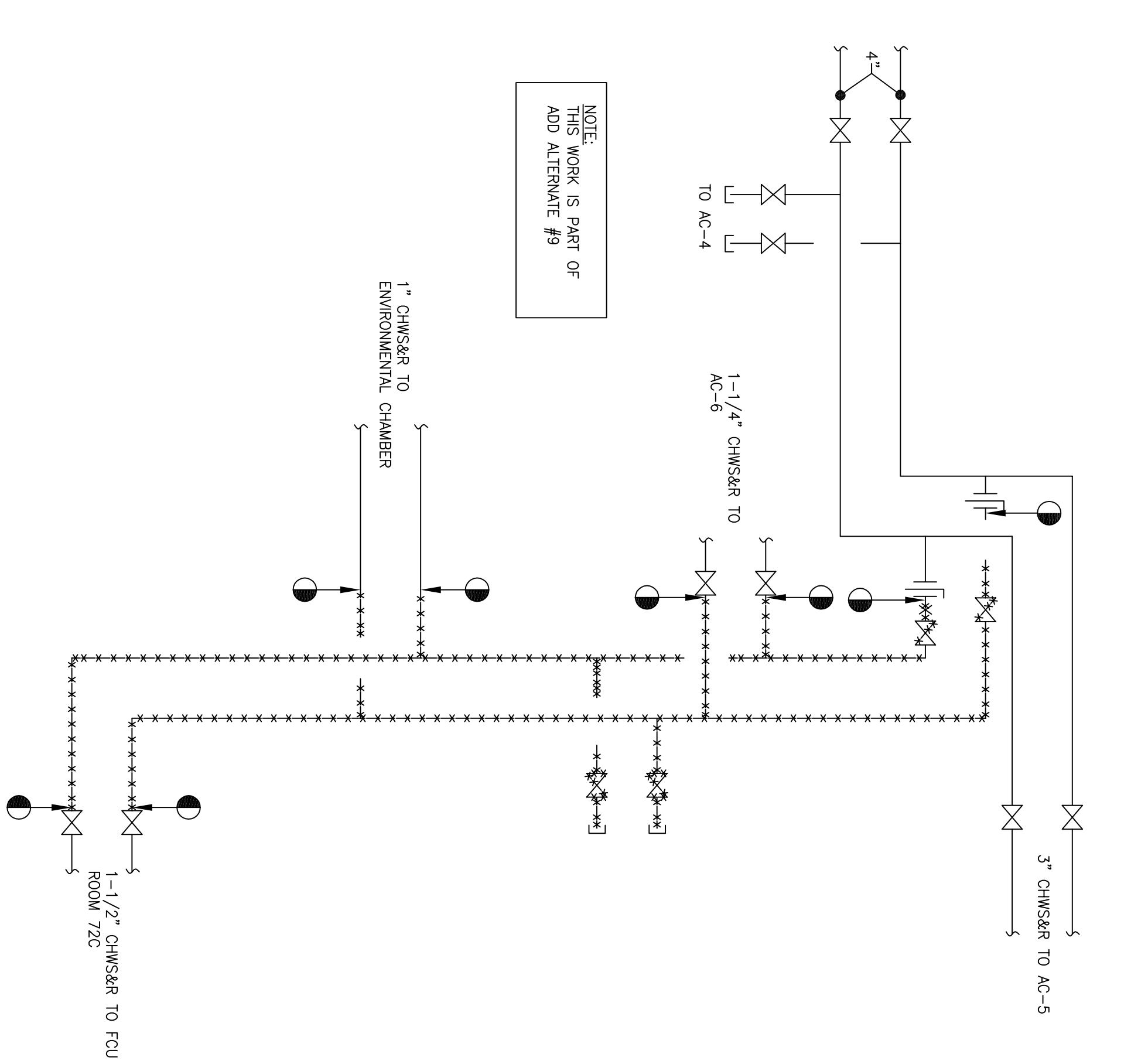


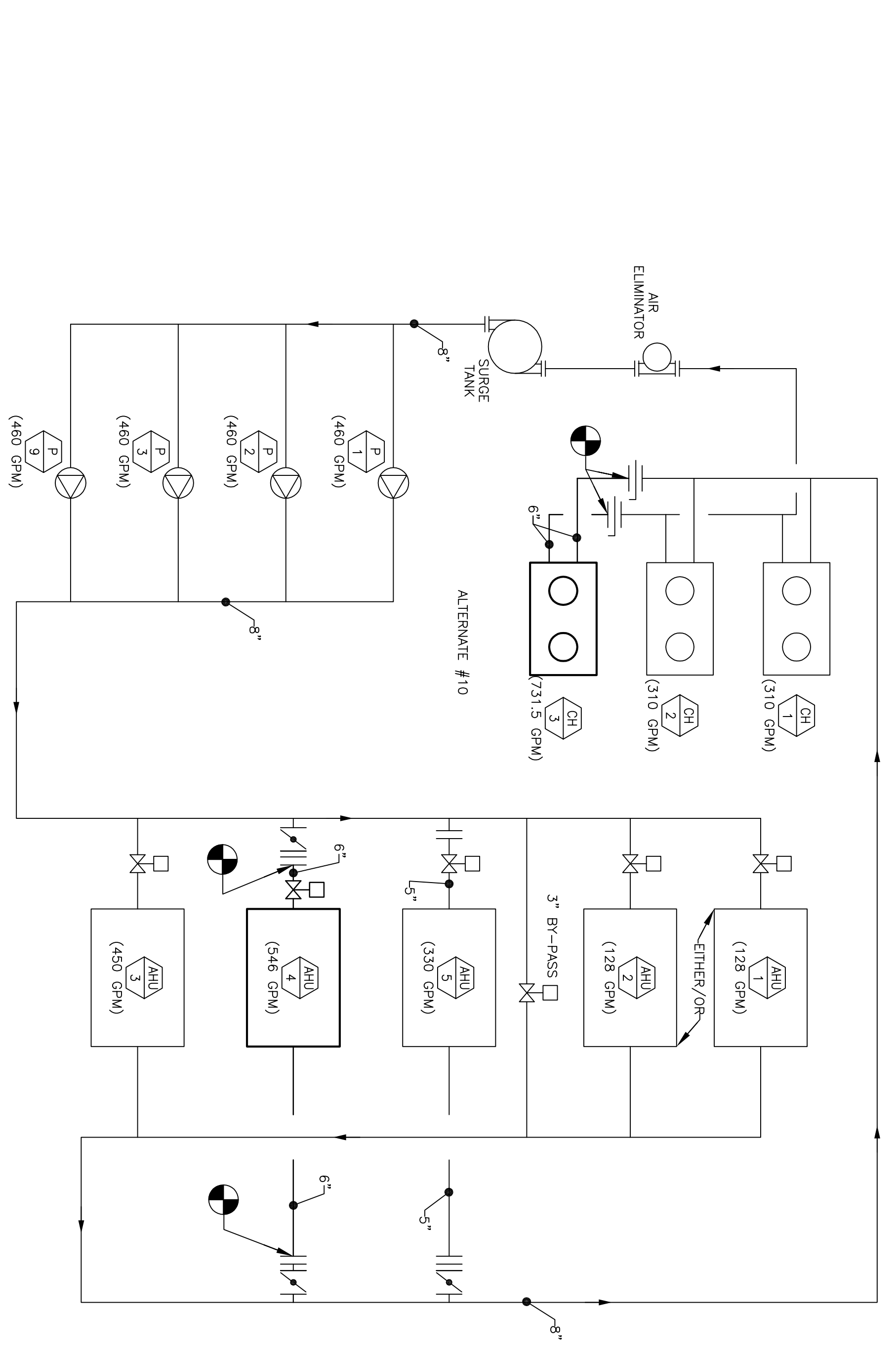
1 ENERGY RECOVERY LOOP  
NO SCALE



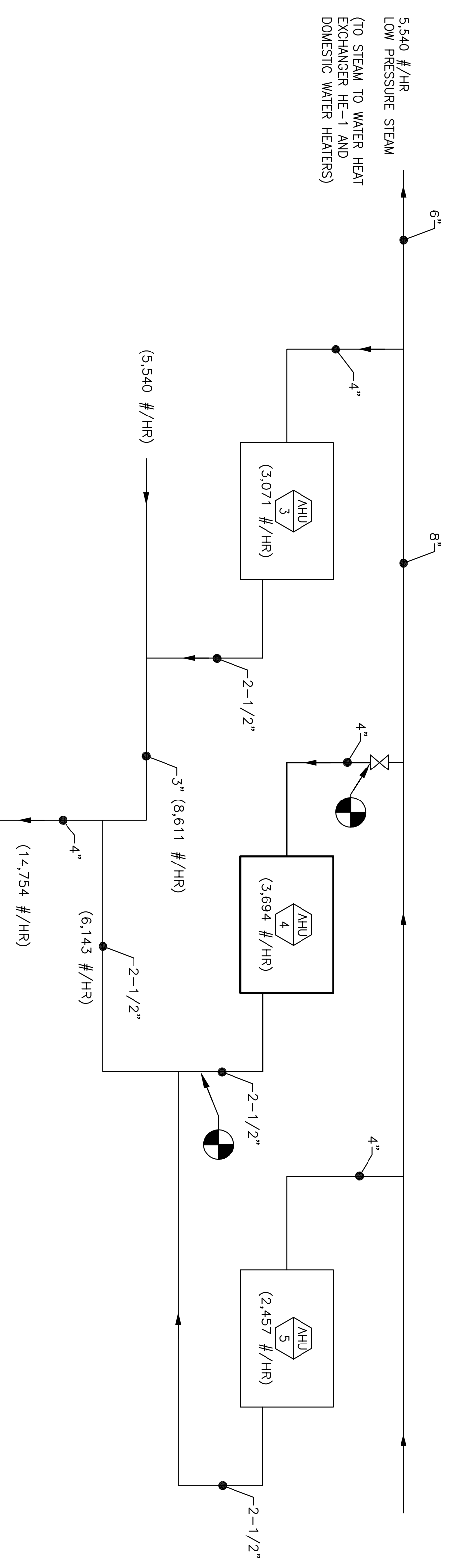
4 EXISTING BUILDING CHILLED WATER PIPING FLOW DIAGRAM - NEW WORK  
NO SCALE



5 EXISTING BUILDING CHILLED WATER PIPING FLOW DIAGRAM - DEMOLITION  
NO SCALE



2 CHILLED WATER LOOP  
NO SCALE



3 STEAM FLOW  
NO SCALE

NOTE:  
ALL WORK ON THIS SHEET IS PART  
OF INFRASTRUCTURE

OWNER REVIEW \_\_\_\_\_ DATE \_\_\_\_\_

NO.	DATE	DESCRIPTION
06.21.06		ISSUED FOR CONSTRUCTION
05.03.06		SCOPE REVISION
ISSUE LOG		
Δ		QUOTED CHANGE

UNIVERSITY OF SOUTHERN MAINE  
770 FALMOUTH STREET  
PORTLAND, MAINE

RESEARCH WING  
PHASE III FIT-OUT

FLOW DIAGRAMS

SCALE	AS NOTED
DRAWN BY	FV
CHECKED BY	PHJL ARCH / ENGR. GJI
PROJ. MGR.	RCH
JOB NO.	03046-10
	SMMAES, MAIN ANDER ASSOCIATES, INC. 2004

