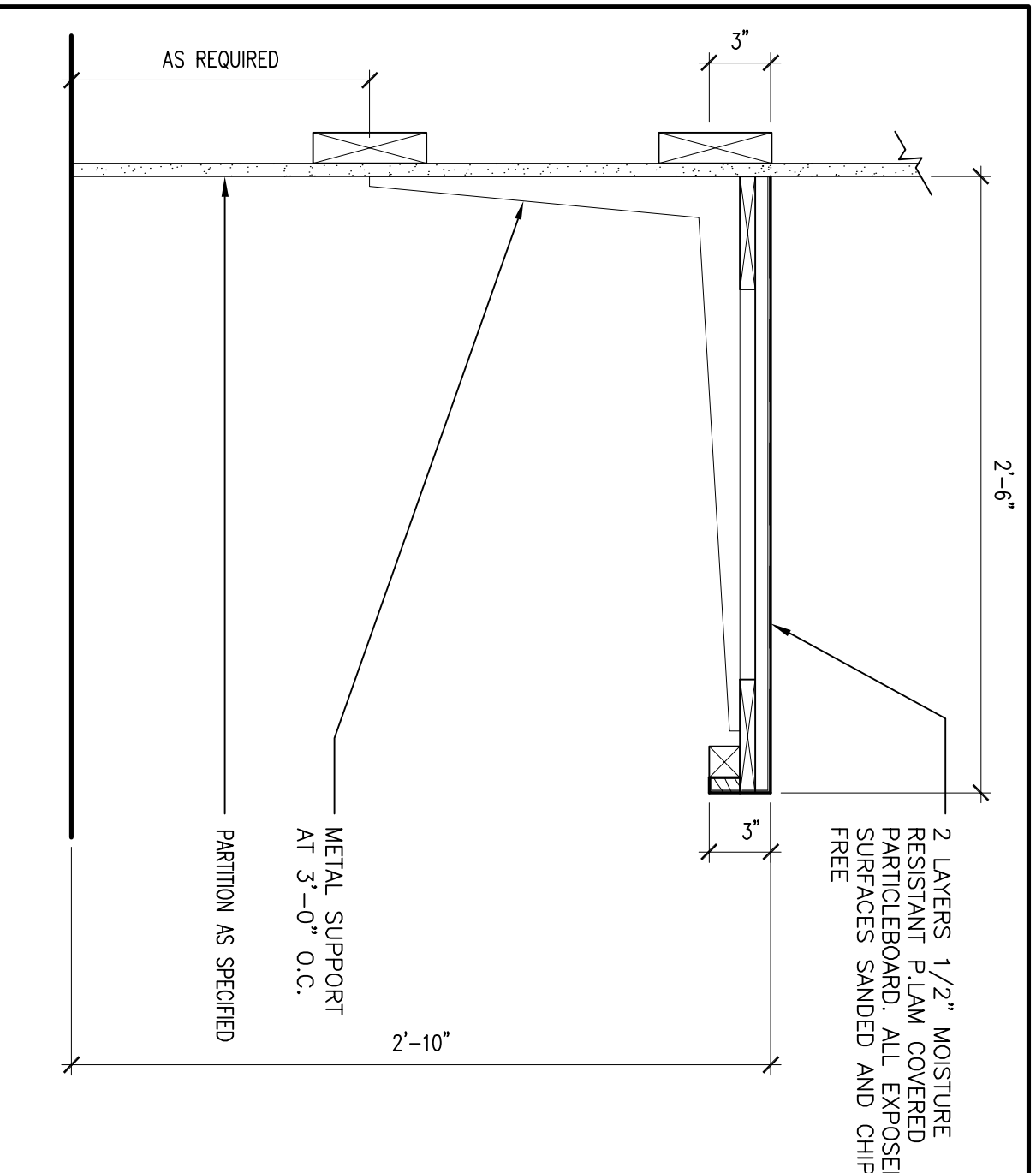
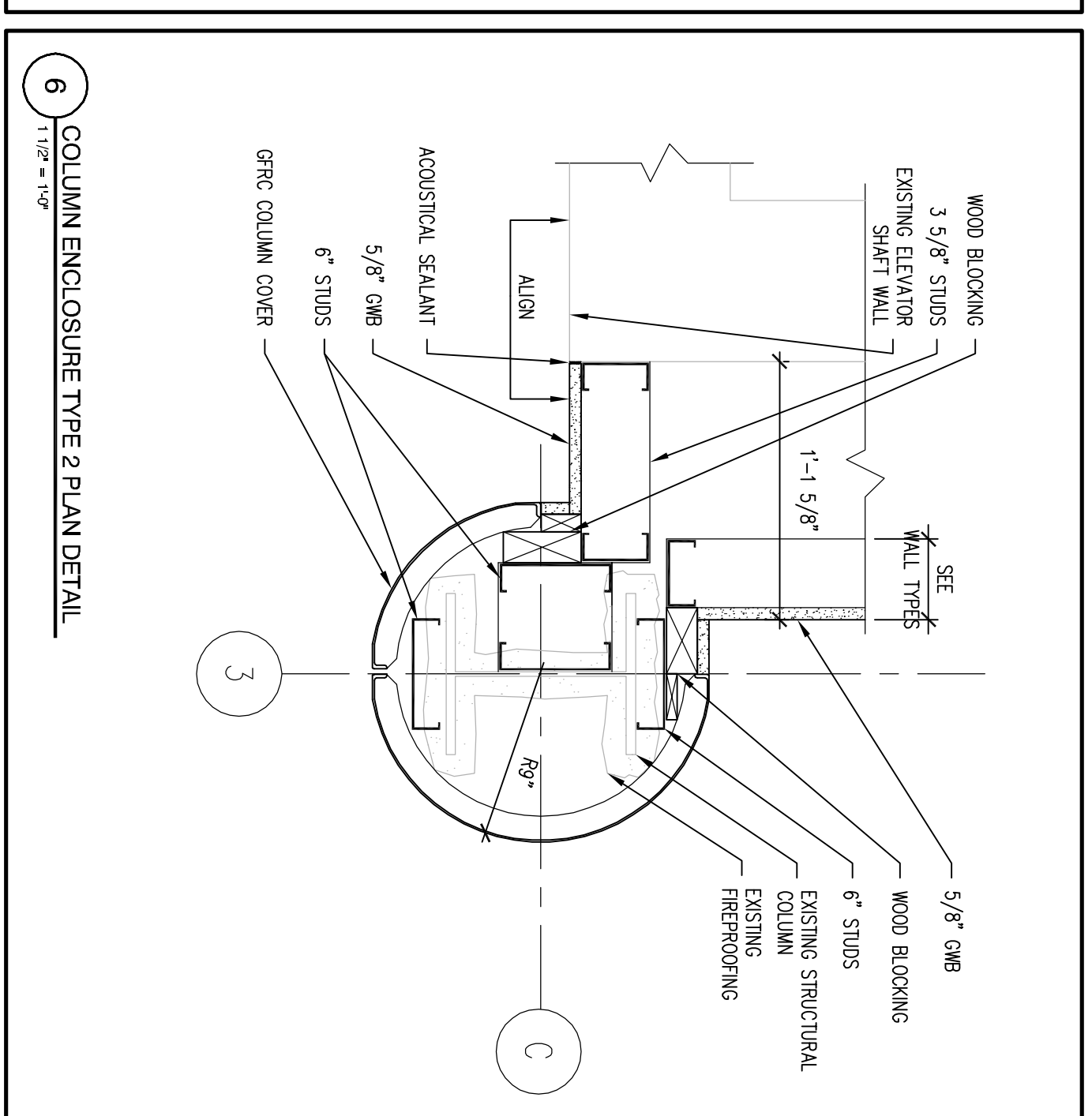


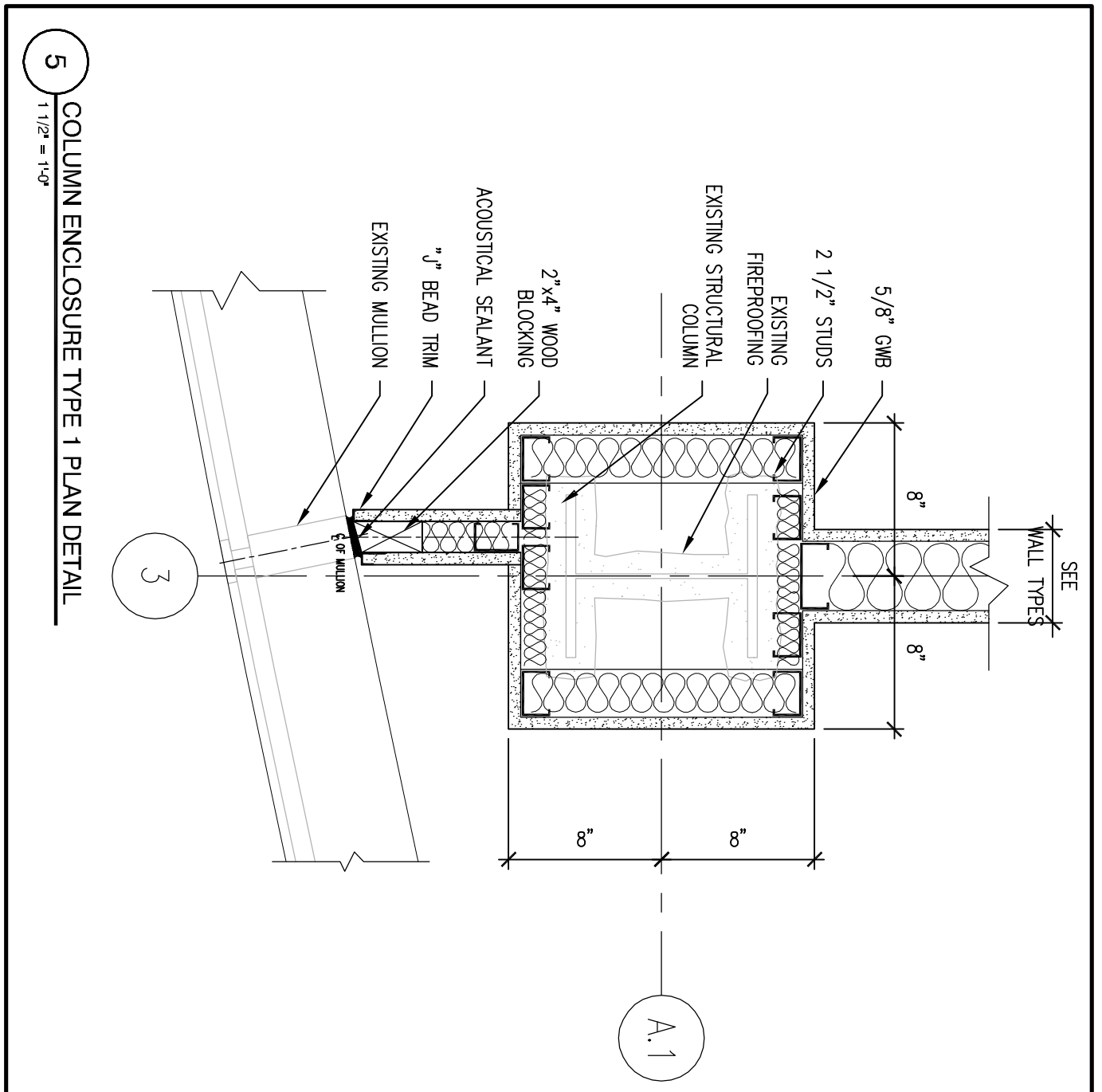
3 NOT USED  
1/16" = 1'-0"



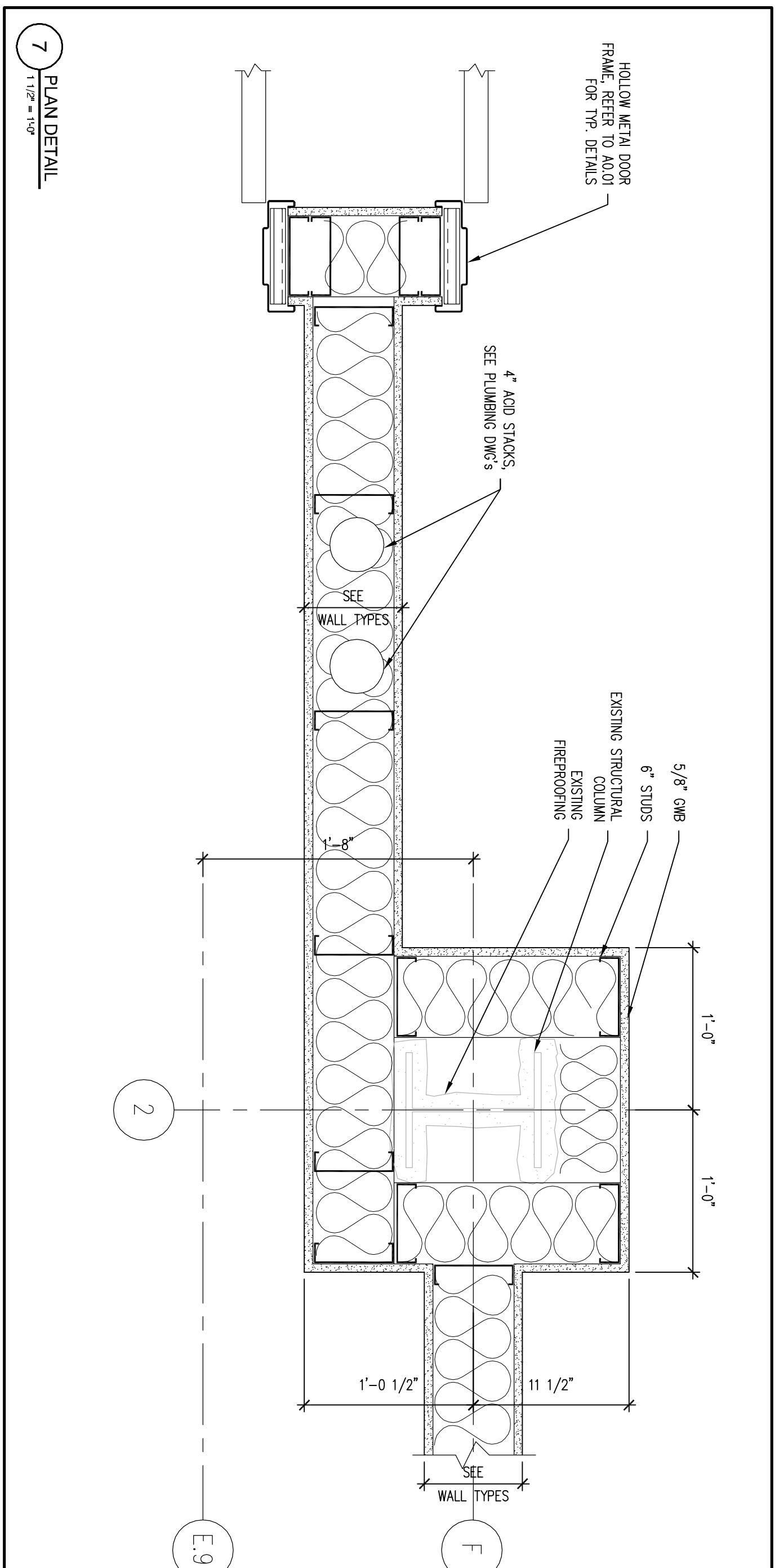
1 COUNTER WITH SUPPORT PANEL  
1/16" = 1'-0"



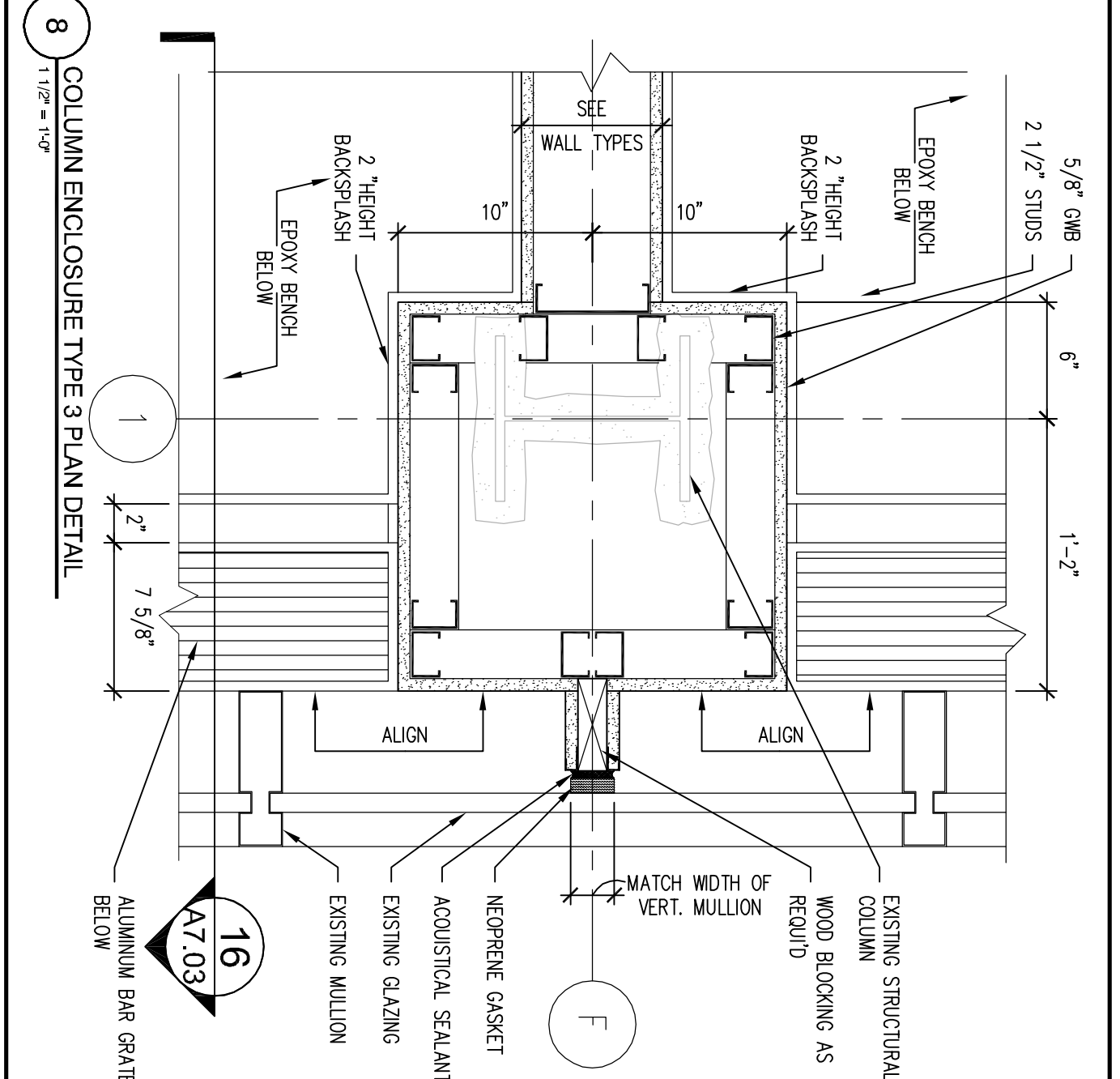
2 3/4\"/>



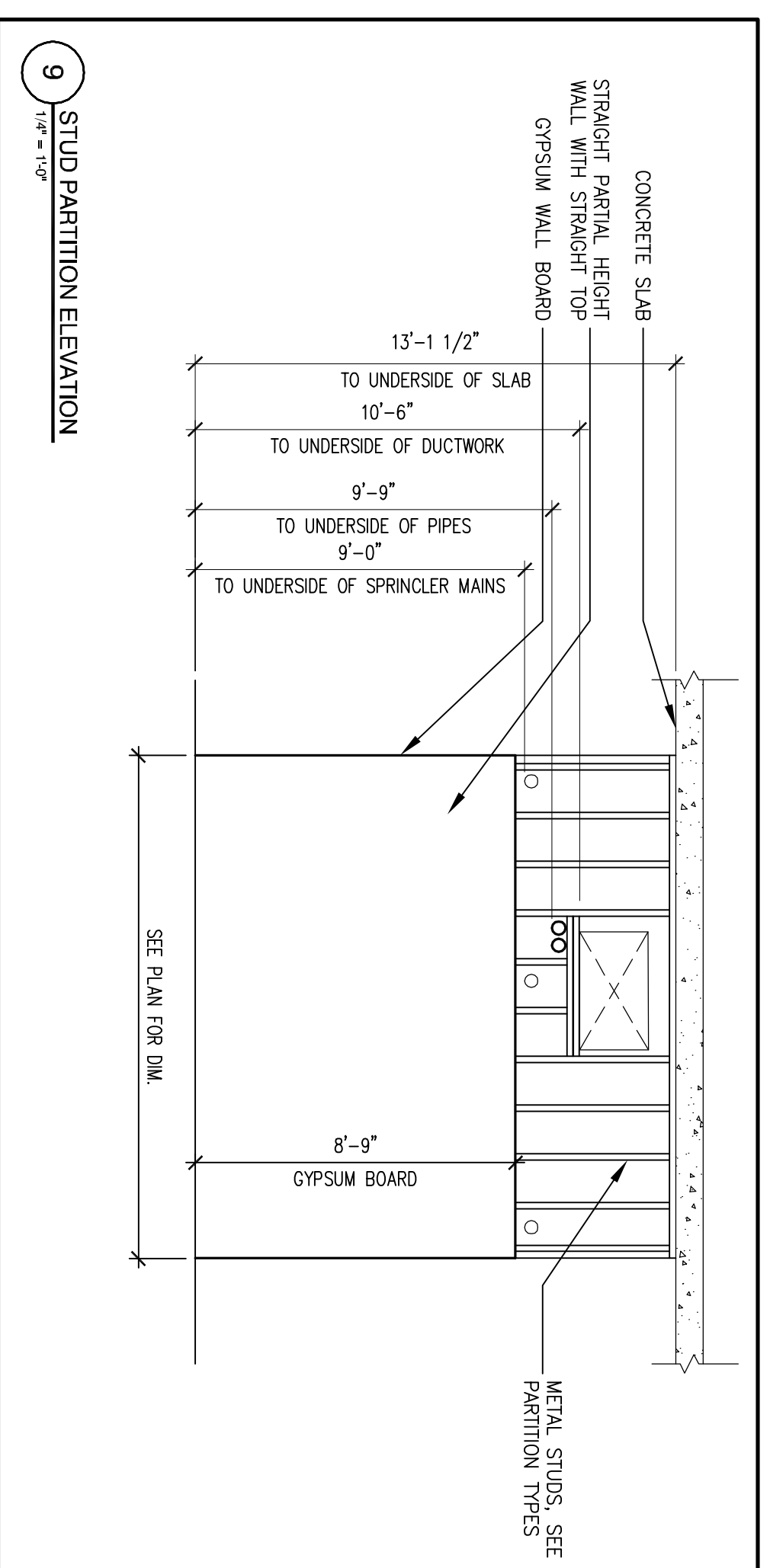
5 COLUMN ENCLOSURE TYPE 1 PLAN DETAIL  
1/16" = 1'-0"



7 PLAN DETAIL  
1/16" = 1'-0"



8 COLUMN ENCLOSURE TYPE 3 PLAN DETAIL  
1/16" = 1'-0"



9 STUD PARTITION ELEVATION  
3/8" = 1'-0"

UNIVERSITY OF SOUTHERN MAINE  
79 FALMOUTH STREET  
PORTLAND, MAINE

RESEARCH WING  
PHASE III FIT-OUT

INTERIOR DETAILS

SCALE AS NOTED  
DRAWN BY MDD/GAK  
CHECKED BY  
PROJ. ARCH / ENGINEER LTD  
PROJ. MGR. RCH  
JOB NO. 00049110  
© SWANES MAINT & MCKEE ASSOCIATES, INC. 2014