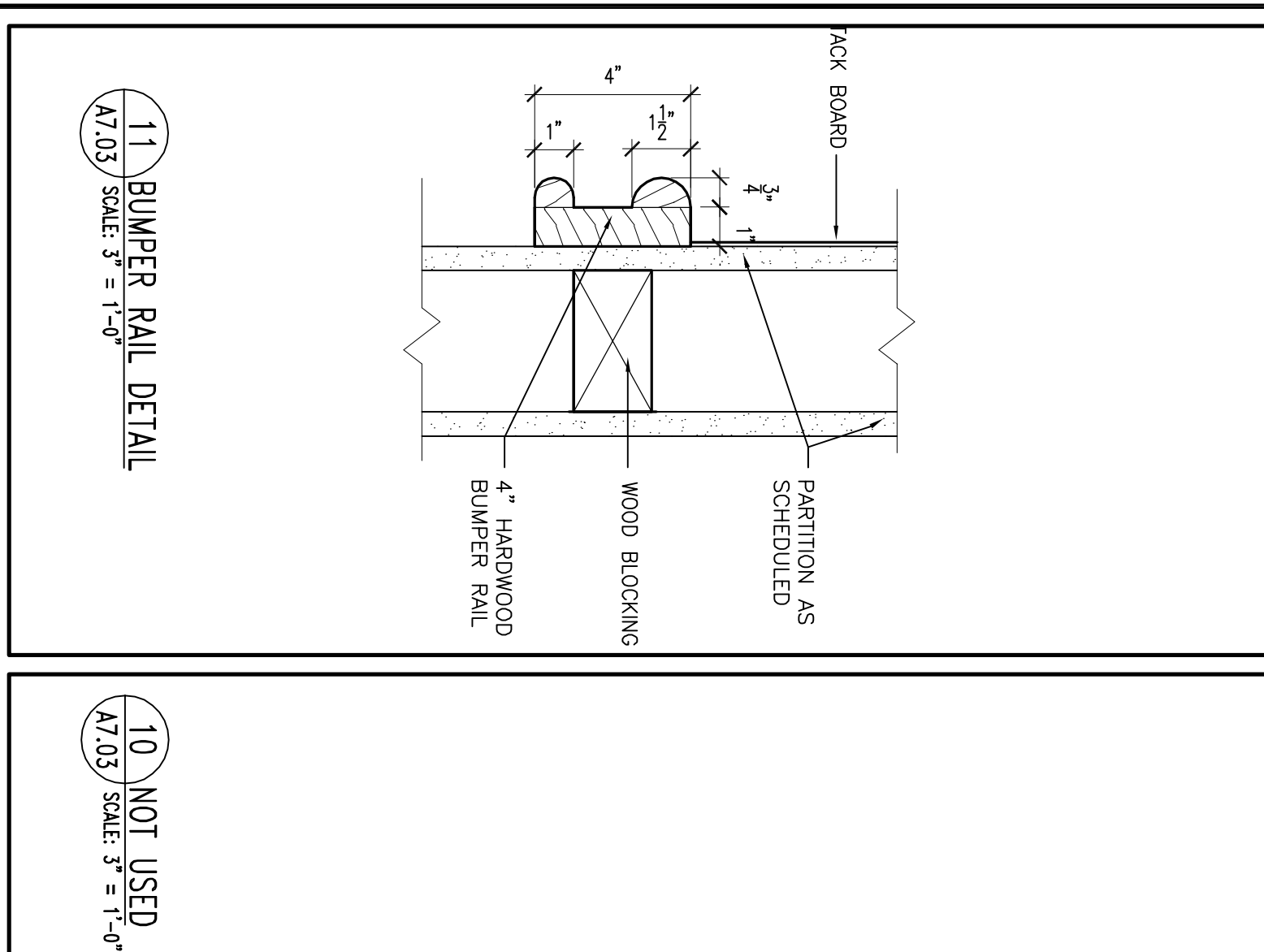
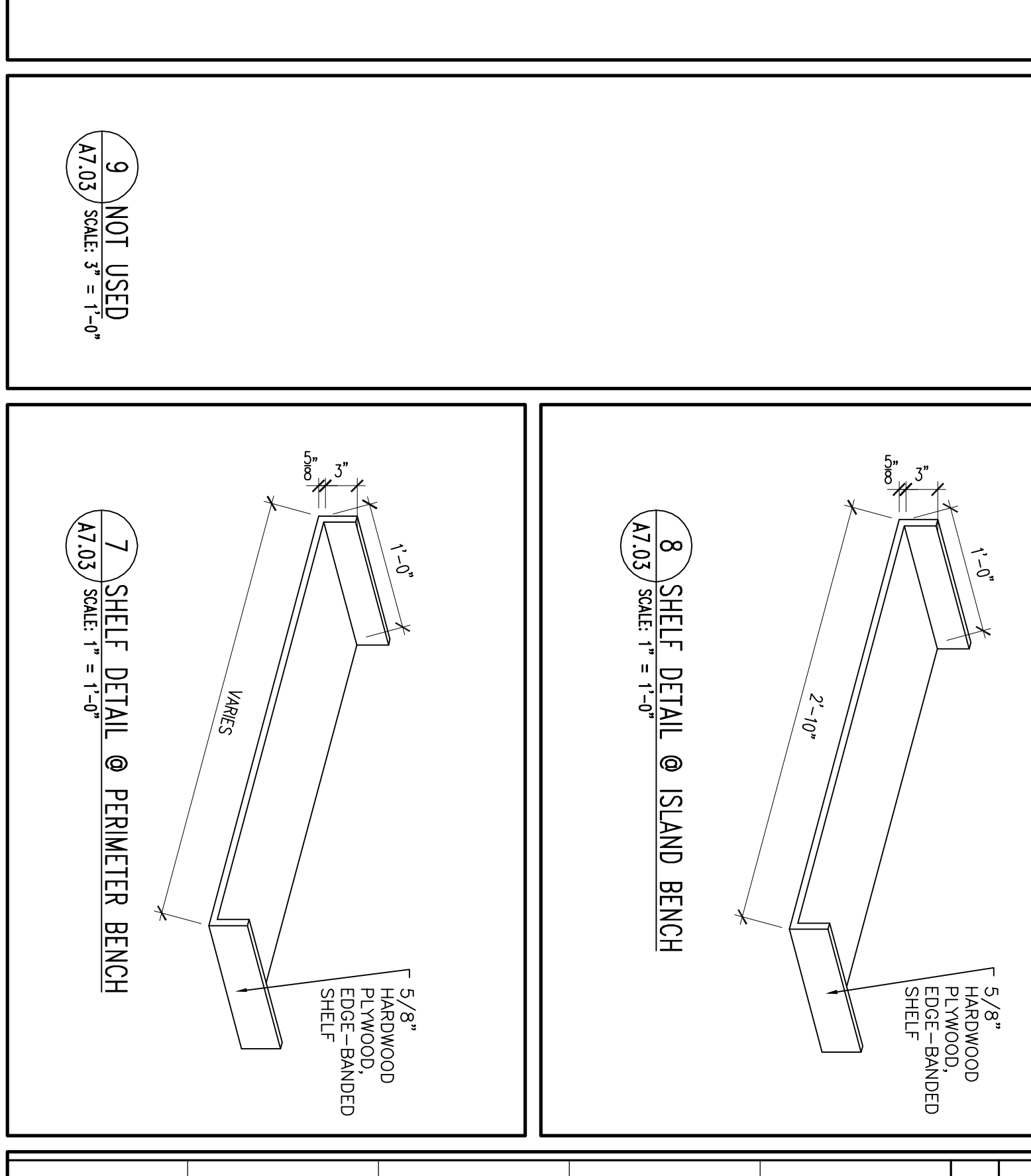


LABORATORY CABINETS			
ITEM	WIDTH	DEPTH	HEIGHT
(A103)	24"	24"	34"
(A104)	12"	24"	34"
(A105)	18"	24"	34"
(A106)	24"	24"	34"
(A107)	24"	24"	34"
(A108)	24"	24"	34"
(A109)	24"	24"	34"
(A110)	24"	24"	34"
(A111)	24"	24"	34"
(A112)	24"	24"	34"
(A113)	24"	24"	34"
(A114)	24"	24"	34"
(A115)	24"	24"	34"
(A116)	24"	24"	34"
(A117)	24"	24"	34"
(A118)	24"	24"	34"
(A119)	24"	24"	34"
(A120)	24"	24"	34"



10 NOT USED  
A103 SCALE 3" = 1'-0"

9 NOT USED  
A103 SCALE 3" = 1'-0"

7 SHELF DETAIL @ PERIMETER BENCH  
A103 SCALE 1" = 1'-0"

6 SHELF DETAIL @ PERIMETER BENCH  
A103 SCALE 1" = 1'-0"

5 SHELF DETAIL @ PERIMETER BENCH  
A103 SCALE 1" = 1'-0"

4 SHELF DETAIL @ PERIMETER BENCH  
A103 SCALE 1" = 1'-0"

3 SHELF DETAIL @ PERIMETER BENCH  
A103 SCALE 1" = 1'-0"

2 SHELF DETAIL @ PERIMETER BENCH  
A103 SCALE 1" = 1'-0"

1 SHELF DETAIL @ PERIMETER BENCH  
A103 SCALE 1" = 1'-0"

10 LABORATORY CABINETS SCHEDULE  
A103 SCALE N.T.S.

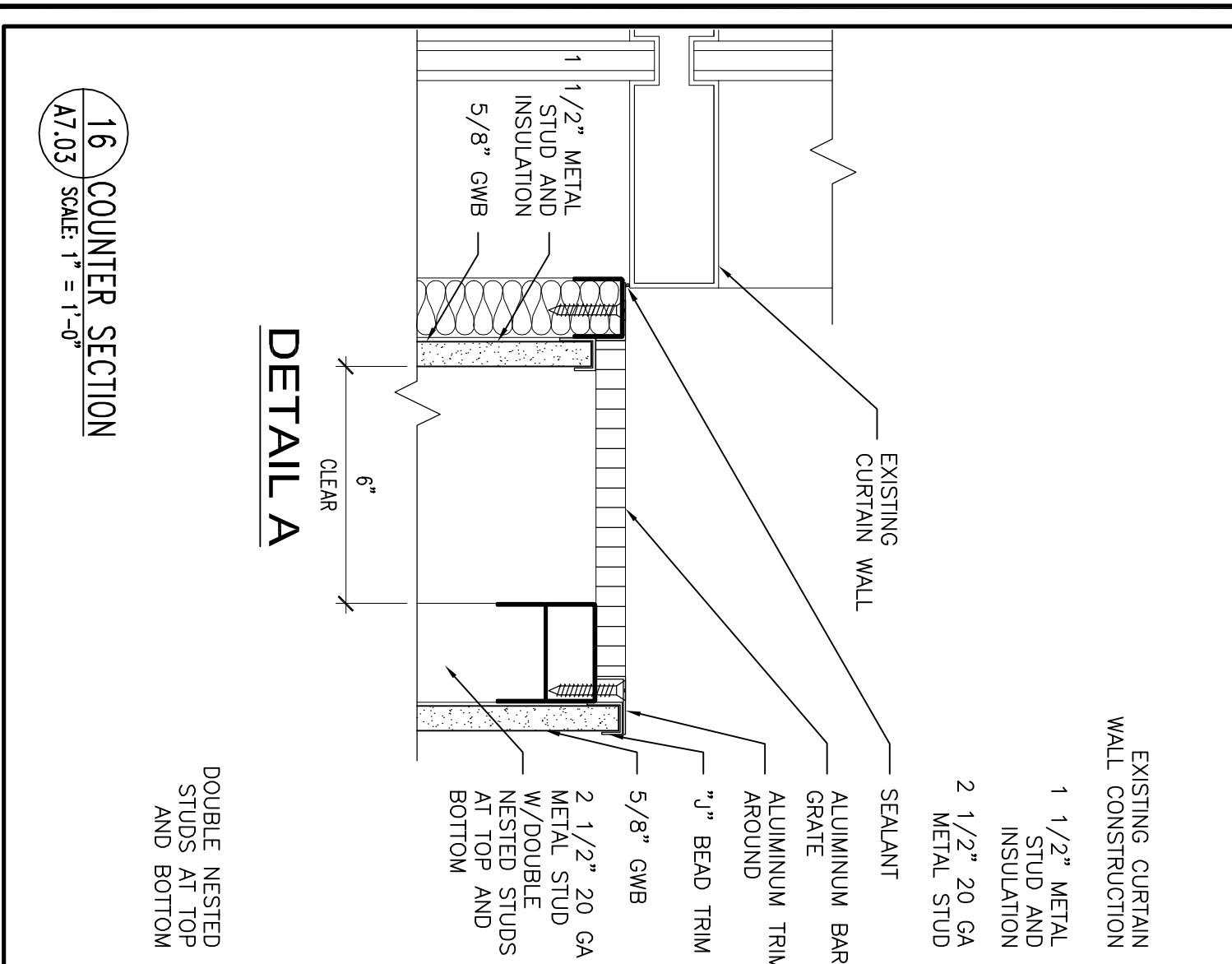
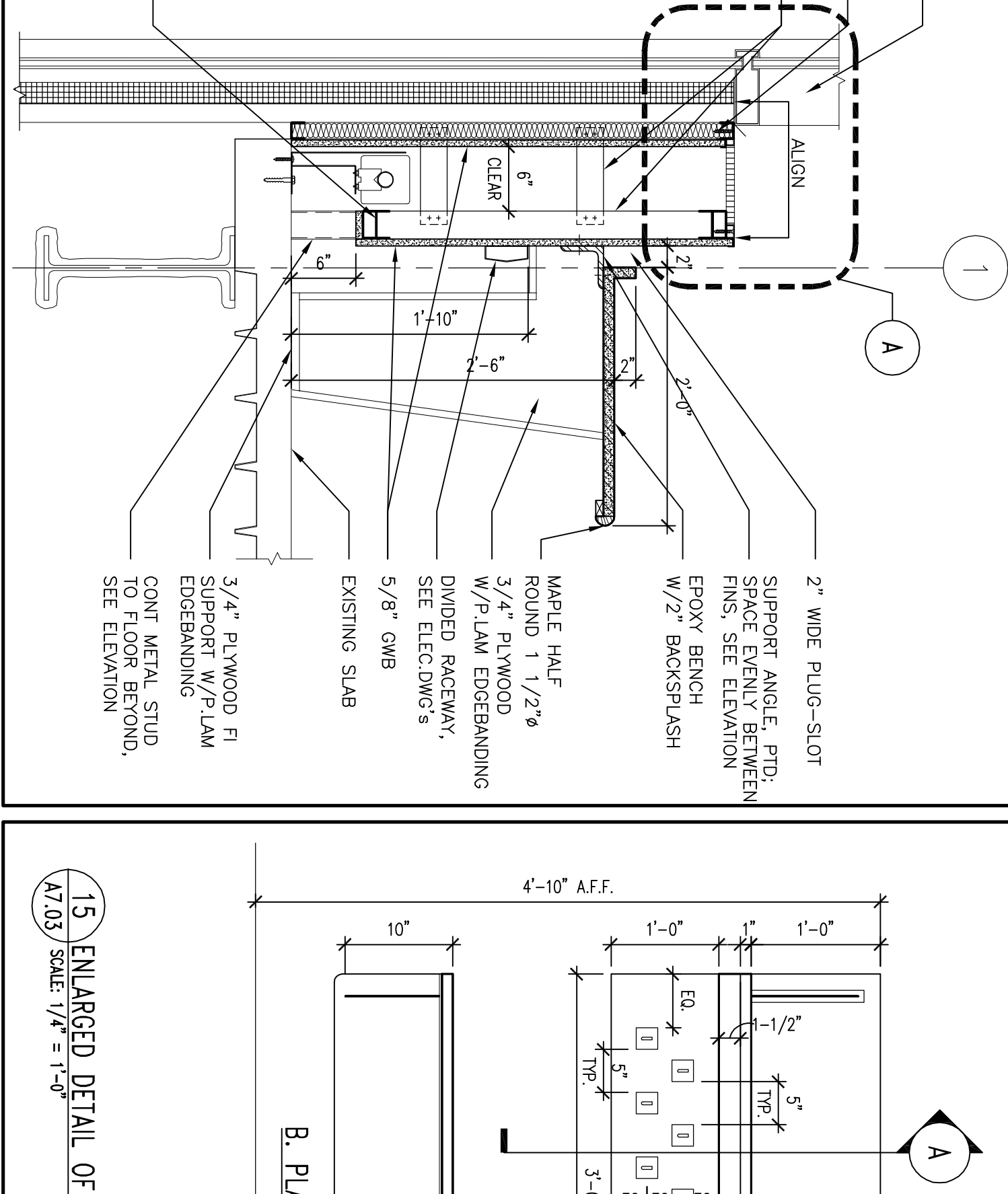
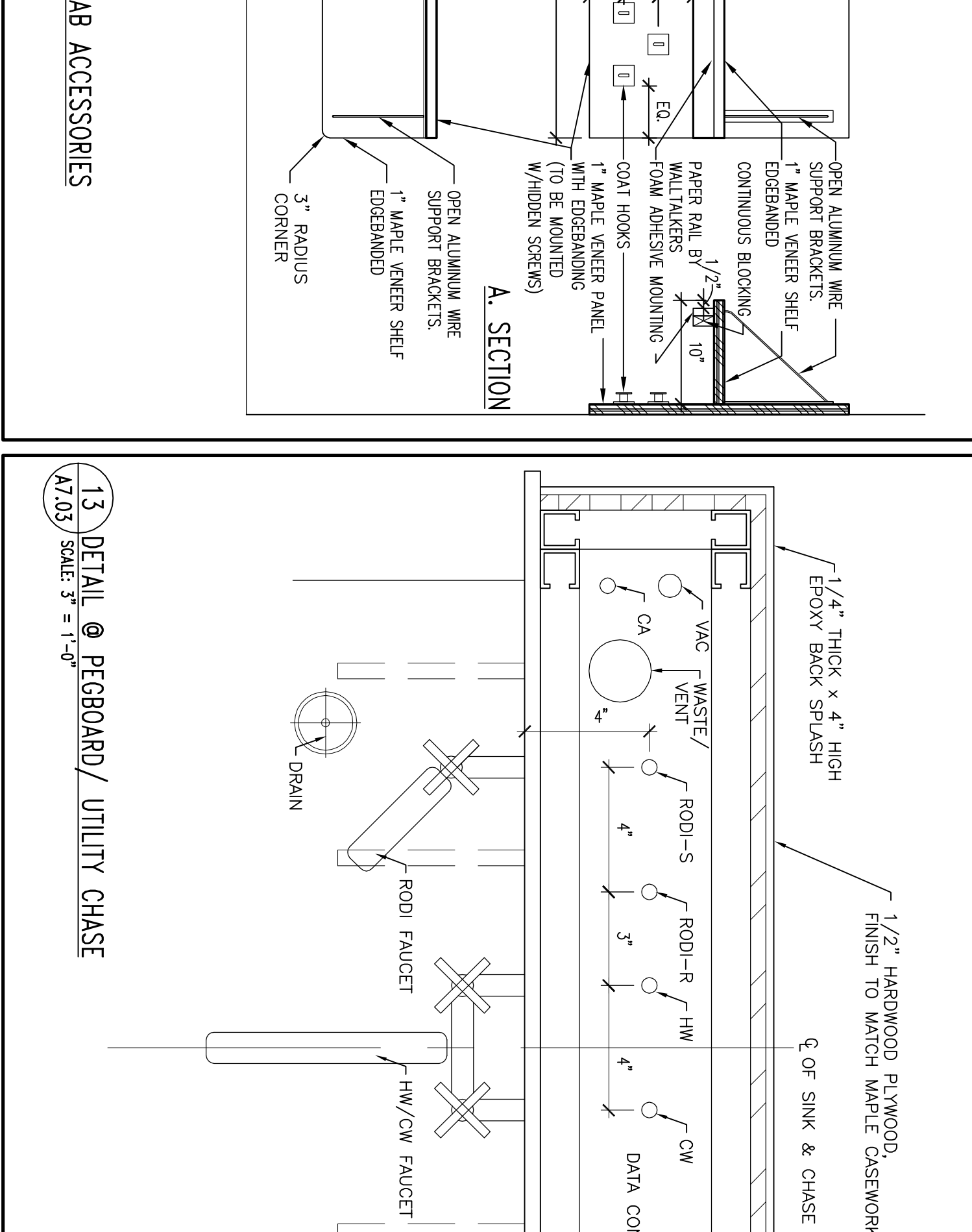
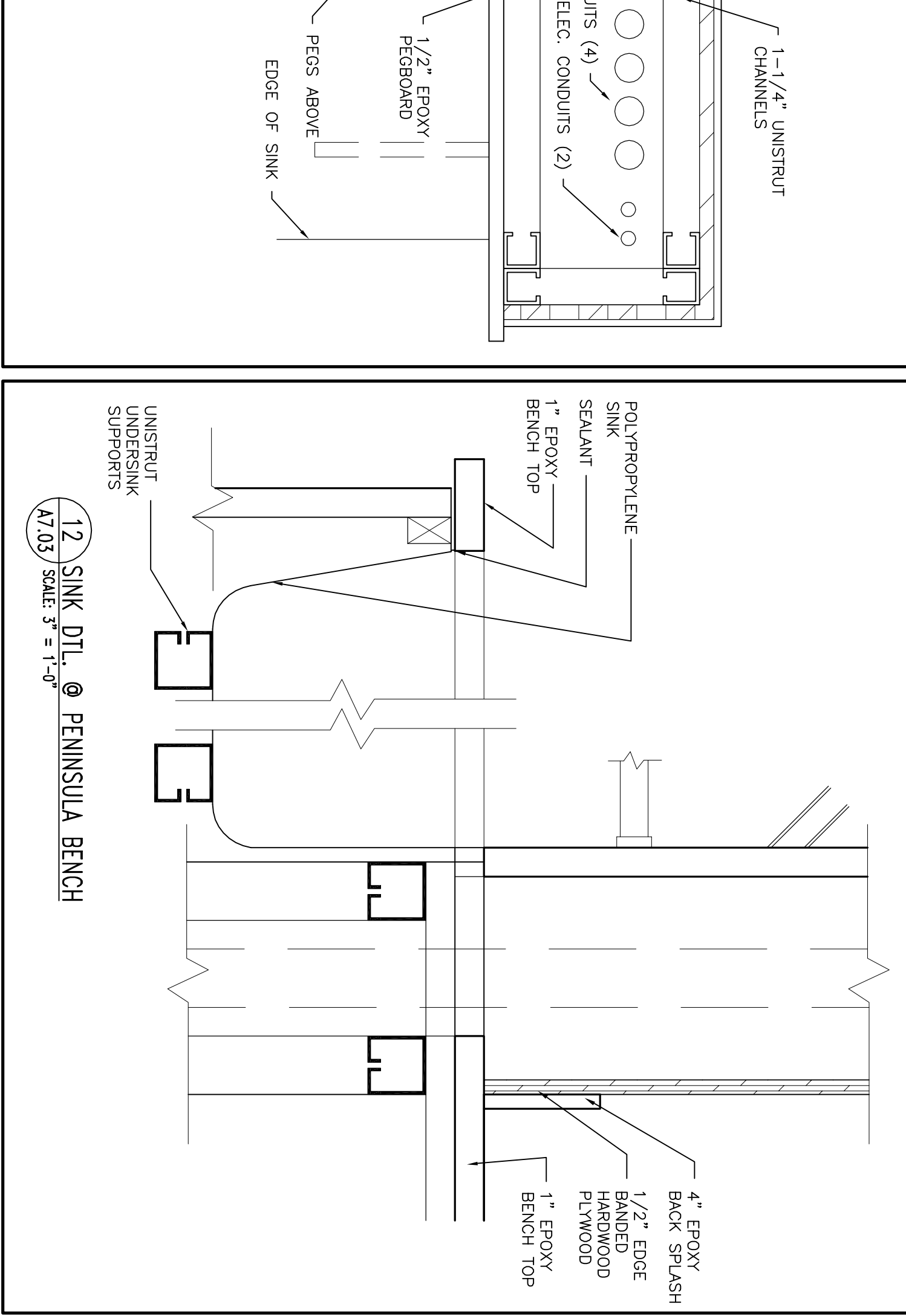
9 LABORATORY CABINETS SCHEDULE  
A103 SCALE N.T.S.

8 LABORATORY CABINETS SCHEDULE  
A103 SCALE N.T.S.

7 LABORATORY CABINETS SCHEDULE  
A103 SCALE N.T.S.

6 LABORATORY CABINETS SCHEDULE  
A103 SCALE N.T.S.

5 LABORATORY CABINETS SCHEDULE  
A103 SCALE N.T.S.



RESEARCH WING  
PHASE III FIT-OUT  
INTERIOR DETAILS

AS NOTED  
GAK  
CHECKED BY  
PROJ. MGR. / ENGR. LTD  
PROJ. MGR.  
JOB NO.  
SWANES MAINT & MCKEE ASSOCIATES, INC. 2014

DATE  
OWNER REVIEW

NO. DATE DESCRIPTION  
ISSUE LOG  
A 03.08.06 80% PROGRESS PRINT  
03.22.06 100% CC REVIEW  
06.21.06 ISSUED FOR CONSTRUCTION  
09.03.06 SCOPE REVISION  
03.22.06 100% CC REVIEW

UNIVERSITY OF  
SOUTHERN MAINE  
70 FALMOUTH STREET  
PORTLAND, MAINE

1001 Massachusetts Avenue  
Cambridge, MA 02138  
617.547.5400 Fax 617.254.5799

SWMA  
SWANES MAINT & MCKEE ASSOCIATES

A7.03