

LCD2-80

Liquid Crystal Display



Annunciators

General

The LCD2-80 is an 80-character, backlit LCD display annunciator for the NOTIFIER NFS-640, NFS-3030, NFS2-640, NFS2-3030, NFS-320 fire alarm control panels, or the NCA/NCA-2 network control annunciator. LCD2-80s may be connected onto the four-wire EIA-485 terminal port.

The LCD2-80 mimics the NFS-640, NCA/NCA-2, NFS2-640, NFS2-3030, NFS-320, NCH and NCH-2 displays. Up to 32 LCD2-80s can annunciate and provide remote reset, acknowledge, drill and silence of the control panel from remote locations.

NOTE: The LCD2-80 can also be used with Legacy panels that supported the LCD-80. Please refer to the LCD2-80 manual for more information.

Features

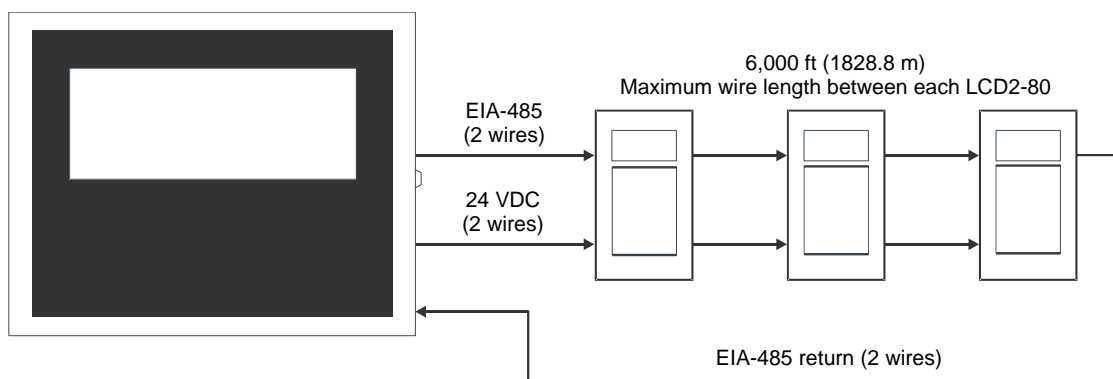
- 80-character backlit Liquid Crystal Display (20 characters x 4 lines).
- Control switches for System Acknowledge, Signal Silence Drill and System Reset.
- Mounts up to 6000 foot segments between units
- Local piezo sounder with alarm/trouble resound.
- Displays all analog, addressable points.
- Displays device type identifiers.
- Device and zone custom alpha labels.
- Time/date and Device address.
- LCD2-80 mounts with any CHS-4 chassis slot.
- Flush/surface/panel mount option.



JCLCD2-80.jpg

- No programming necessary. LCD2-80 displays time, date, and custom messages received from the panel or network annunciator
- LCD2-80 is 8.25" (20.96 cm) high, 4.375" (11.11 cm) wide, and 1.75" (4.45 cm) deep.
- Up to 32 LCD2-80s may be used on one EIA-485 circuit.

NOTE: Must have sufficient regulated 24 volt power.



NFS-320, NFS2-640, NFS-640, NFS2-3030, NFS-3030, NCA or NCA-2 connecting to LCD2-80

The ABF-1DB Backbox

The **ABF-1DB** is a semi-flush-mount backbox for the NOTIFIER LCD2-80 Series Annunciator. The ABF-1DB mounts one LCD2-80. It includes an attractive smoked-glass door with NOTIFIER keylock.

Dimensions, BOX only:

9.938" (25.24 cm) high, 4.625" (11.75 cm) wide, 2.5" (6.35 cm) deep.

Dimensions, DOOR only:

10.713" (27.21 cm) high, 6.0" (15.24 cm) wide, 0.75" (1.9 cm) deep.

Related Options

ABF-1DB: Semi-flush box with alternative smoked-glass door, any keylock.

ADP-4B: Annunciator Dress Plate, black. Allows panel mounting of up to four LCD2-80 modules in a CAB-4 Series cabinet.

ABF-1B: Annunciator Flush Box, 9.938" (25.24 cm) high, 4.625" (11.75 cm) wide, and 2.5" (6.35 cm) deep. Order AKS-1B key switch and APJ-1B phone jack if desired. Can also be mounted in ABF-2B or ABF-4B annunciator backboxes.

ABS-1TB: Deep Surface Backbox (mounts one LCD2-80).

AKS-1B: Key Switch (black) to enable/disable controls when mounted in ABF or ABS-1TB.

APJ-1B: Annunciator Phone Jack, black. Mounts to ABF flush box or ABS-1TB.

Agency Listings and Approvals

These listings and approvals apply to the modules specified in this document. In some cases, certain modules or applications may not be listed by certain approval agencies, or listing may be in process. Consult factory for latest listing status.

- UL Listed: S635
- ULC Listed: S635
- FDNY: COA# 6038
- CSFM: 7165-0028:243
- FM Approved

©2010 by Honeywell International Inc. All rights reserved. Unauthorized use of this document is strictly prohibited.



This document is not intended to be used for installation purposes.
We try to keep our product information up-to-date and accurate.
We cannot cover all specific applications or anticipate all requirements.
All specifications are subject to change without notice.



Made in the U.S. A.

For more information, contact Notifier. Phone: (203) 484-7161, FAX: (203) 484-7118.
www.notifier.com