

GENERAL CONTRACTOR ON RECORD:
 JON CONSTRUCTION 155 DOW ST.
 MANCHESTER, NH 03107
 ION BRANKS 603-524-7080 EXT. 405

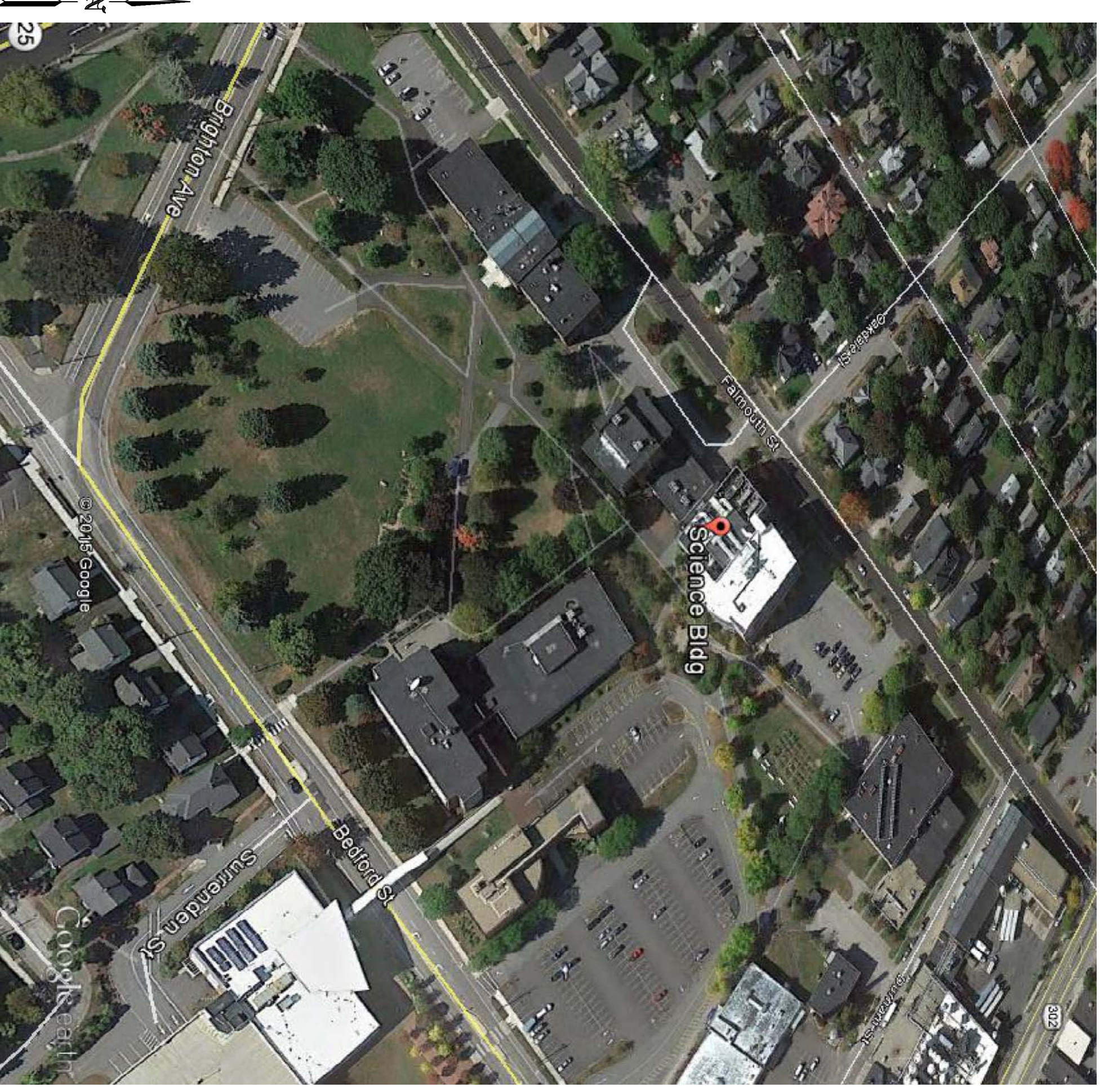
SPECIAL APPLICATIONS:

- LEGEND:
- NEW PIPE RISER UP OR DOWN
 - NEW PIPE RISEN UP OR DOWN
 - PROPOSED NEW PIPE
 - EXISTING PIPE
 - SYSTEM RISER
 - PIPE PITCH & MAINS & LINES
 - HYDRAULIC CALC. POINT

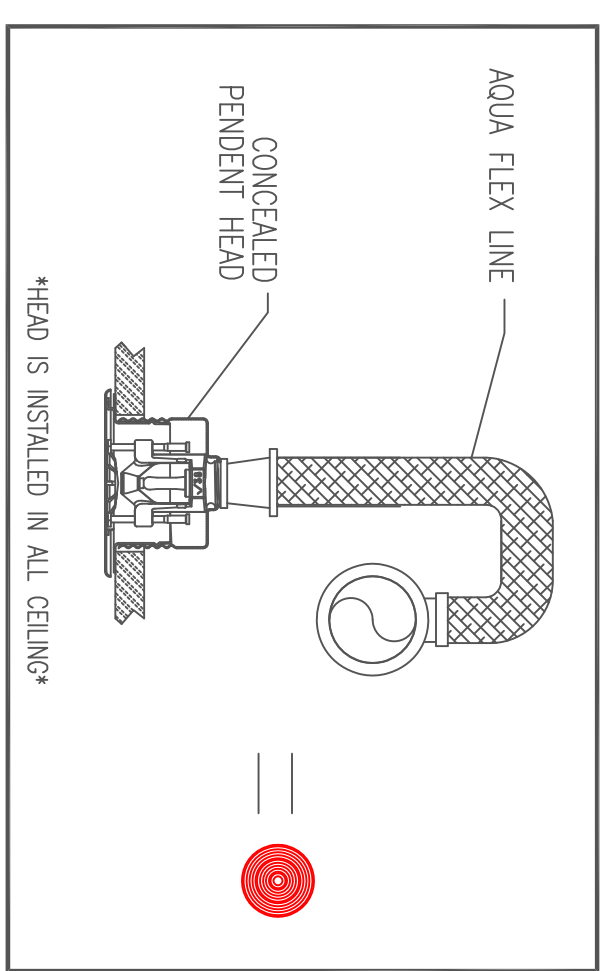
DESIGN & SYSTEM NOTES:
 WITH RECORD DRAWING, THE CONTRACTOR SHALL BE RESPONSIBLE TO
 ALL PIPING 2" & SMALLER TO BE SCHEDULE 40
 WITH APPROPRIATE FINISHING AND USE OF SPRINKLER
 PIPING SHALL BE IN ACCORDANCE WITH NFPA 13
 POSITION, LOCATION, SPACING AND USE OF HANGERS
 SHALL BE IN ACCORDANCE WITH NFPA 13
 SHALL BE IN ACCORDANCE WITH NFPA 13
 DONE IN ACCORDANCE WITH NFPA 13 (SEE PLANS
 FOR LOCATION OF RISEN SYSTEM HANGERS)
 HIGH TIE-FIRE PROTECTION IS TO BE IN WORK
 AT 3" EXISTING MAIN INSIDE OF BUILDING
 DIMENSIONS AND LOCATIONS GIVEN FOR SPRINKLER
 EQUIPMENT FROM FREEDOM TEMPERATURES
 OWNER TO PROVIDE ACCURATE HEAT THROUGHOUT
 BUILDING TO PROTECT WATER FILLED PIPING AND
 EQUIPMENT FROM FREEDOM TEMPERATURES
 ON DAY AND BE THE ACTION SYSTEMS
 OWNER IS RESPONSIBLE TO MAINTAIN THE SPRINKLER
 OF NFPA 13 "INSPECTION TESTING, MAINTENANCE
 OF WATER-BASED FIRE PROTECTION SYSTEMS" AND/
 LINES, CORES AND BRANCHES, AND/OR LOCAL
 ALL MECHANICAL, ELECTRICAL AND PLUMBING
 SPRINKLER CONTRACTOR.
 ALL ELECTRICAL WORK IS TO BE DONE BY OTHERS.
 HEAD LEGEND:

GLOBE*
 MODEL GL5606
 (4.3 / 1.55")
 K=5.6
 1/2" WHITE PENDENT
 CONCEALED PLATE
 200" WHERE < 1" OF A DIFFUSER
 IS5 WHERE CENTER OF TIE

OR APPROVED EQUAL
 TOTAL HEADS ON THIS SHEET: 43
 SCALE: 3/16" = 1'-0"
 REVISIONS:
 NO. DATE: DESCRIPTION:
 DATE: DECEMBER 10, 2015
 DESIGNER: ED DOLAN (RM# 515)
 CHECKED BY: AL FOSS
 LOCATION:
 70 FALMOUTH STREET
 PORTLAND, ME
 DRAWING TITLE:
 USM
 SCIENCE BUILDING C300
 CHEMISTRY LAB 3RD FL.
 FIRE PROTECTION PLAN
 (NFA 13 2007ed.)
 DRAWING NO.:
 FP-01



3.4 PLOT PLAN
 SCALE: N.T.S.

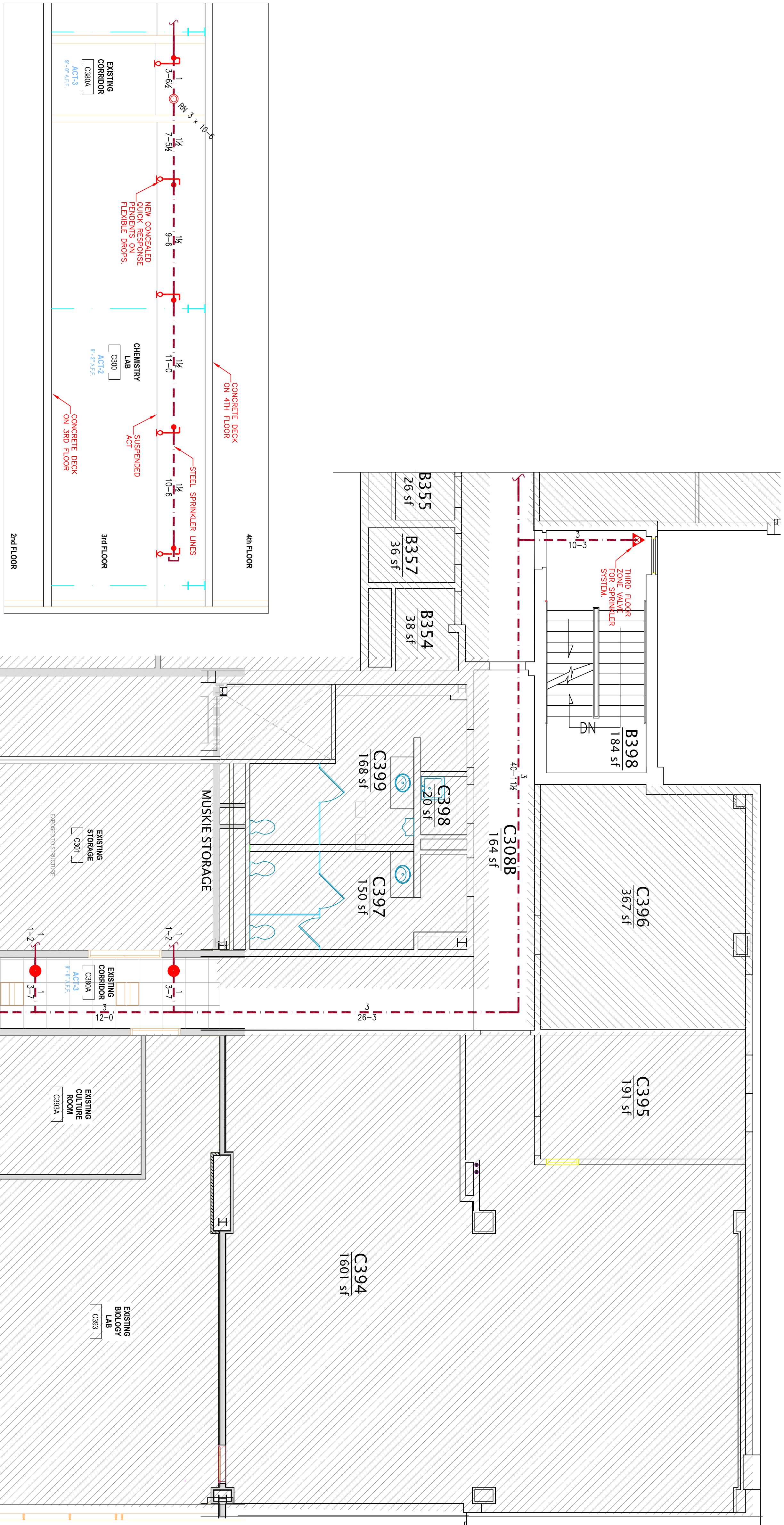


3.3 HEAD DETAILS
 SCALE: N.T.S.

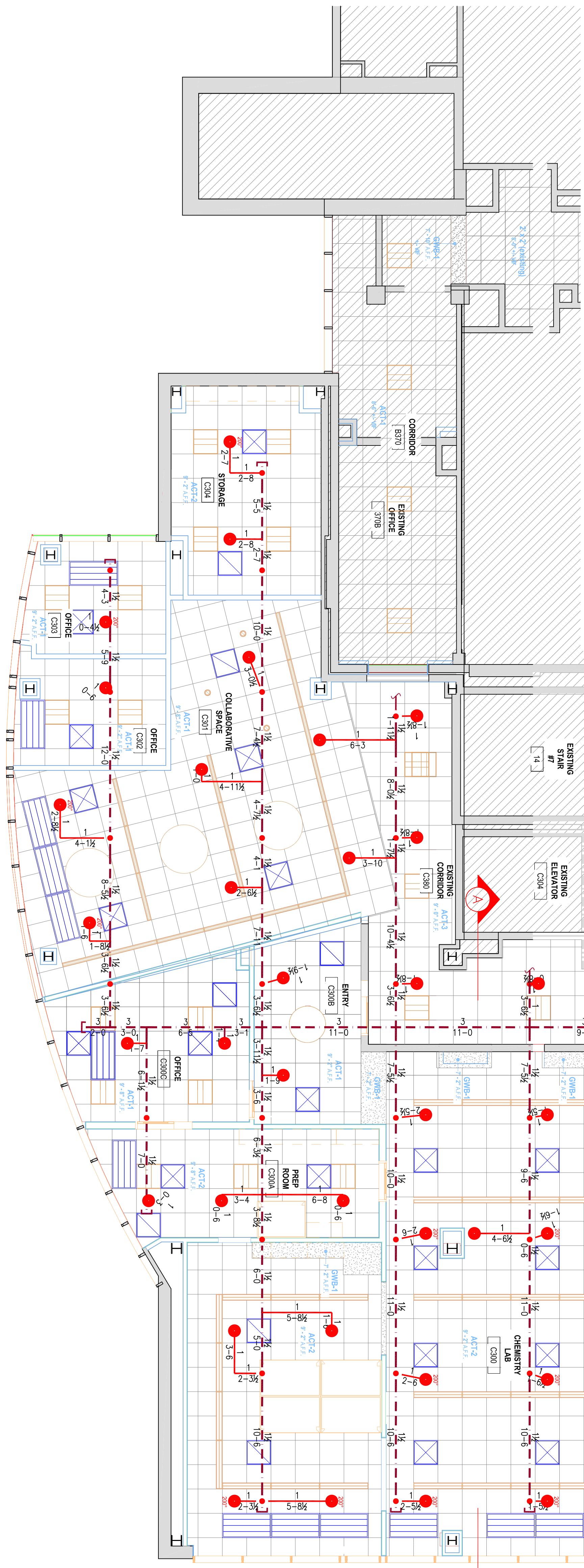
PROJECT DESCRIPTION

BUILDING CONST.:
 THE BUILDING IS MULTI LEVEL
 CONSTRUCTION OF STEEL FRAMING, FIBERGLASS
 INSULATION, AND GYP BOARD CONSTRUCTION.
 STEEL SPRINKLER PIPING AS SHOWN ON PLAN.
 BUILDING OCCUPANCY:
 THE BUILDING WAS BUILT & DESIGNED FOR
 SCHOOL TYPE USAGES
 SPRINKLER SYSTEM DESIGN:
 THERE IS A WET SYSTEM FOR THE BUILDING IN ACCORDANCE
 WITH NFPA 13.
 CLASSROOM SPACE PROTECTED WITH COMMERCIAL QUICK RESP
 PENDENT SPRINKLER HEADS FED FROM STEEL PIPING ABOVE
 GO TO PROPERLY INSULATE AROUND SPRINKLER PIPING TO
 PREVENT WATER FILLED PIPE FROM FREEZING.
 THE SPRINKLER SYSTEM WAS RETROFITTED TO MEET APPLICABLE
 CODE REGARDING NFPA 13 2007ed SYSTEM.

3.2 PROJECT DESCRIPTION
 SCALE: N.T.S.



3.1 SECTION 'A'
 SCALE 3/16" = 1'-0"



3 THIRD FLOOR (WET)
 TOTAL PROTECTED AREA 3,900 SQ.FT.
 SCALE 3/16" = 1'-0"

