

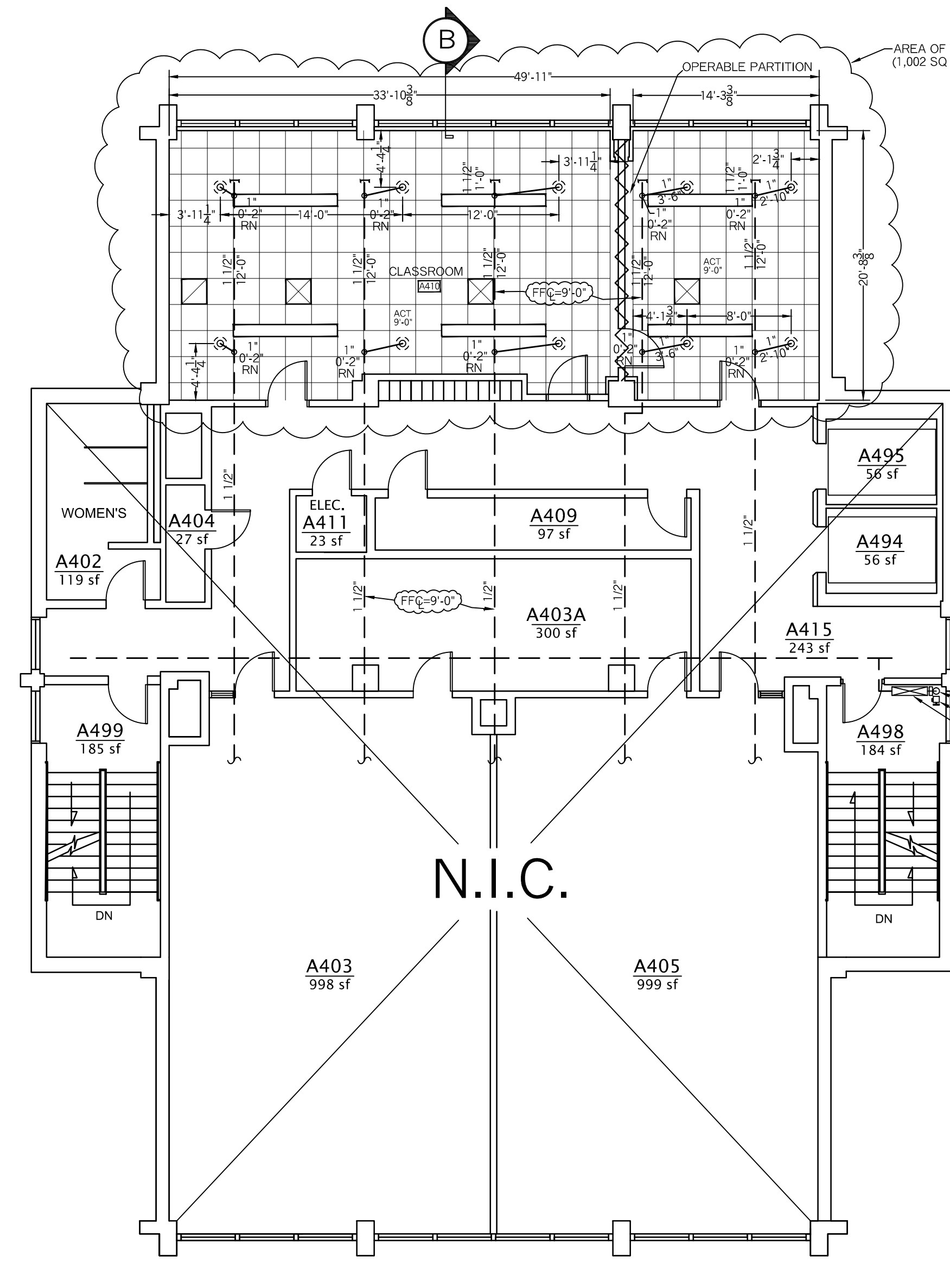
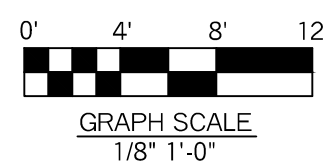
THIRD FLOOR PLAN - "A" WING

SCALE: 1/8" = 1'-0"  
FLOOR AREA OF WORK = 2,030.0 SF  
FF ELEV. ---

SPRINKLER HEAD INFORMATION, FOR NEW SPRINKLERS ON THIS FLOOR ONLY

QTY	SIZE	ORIFICE	K-FACTOR	DESCRIPTION	MODEL	TEMP	ESCUTCHEON	SYMBOL
19	1/2"	1/2"	5.6	VIKING "QR" WHITE PENDENT	VK302	155	RECESSED	⊗

TOTAL HEADS = 19



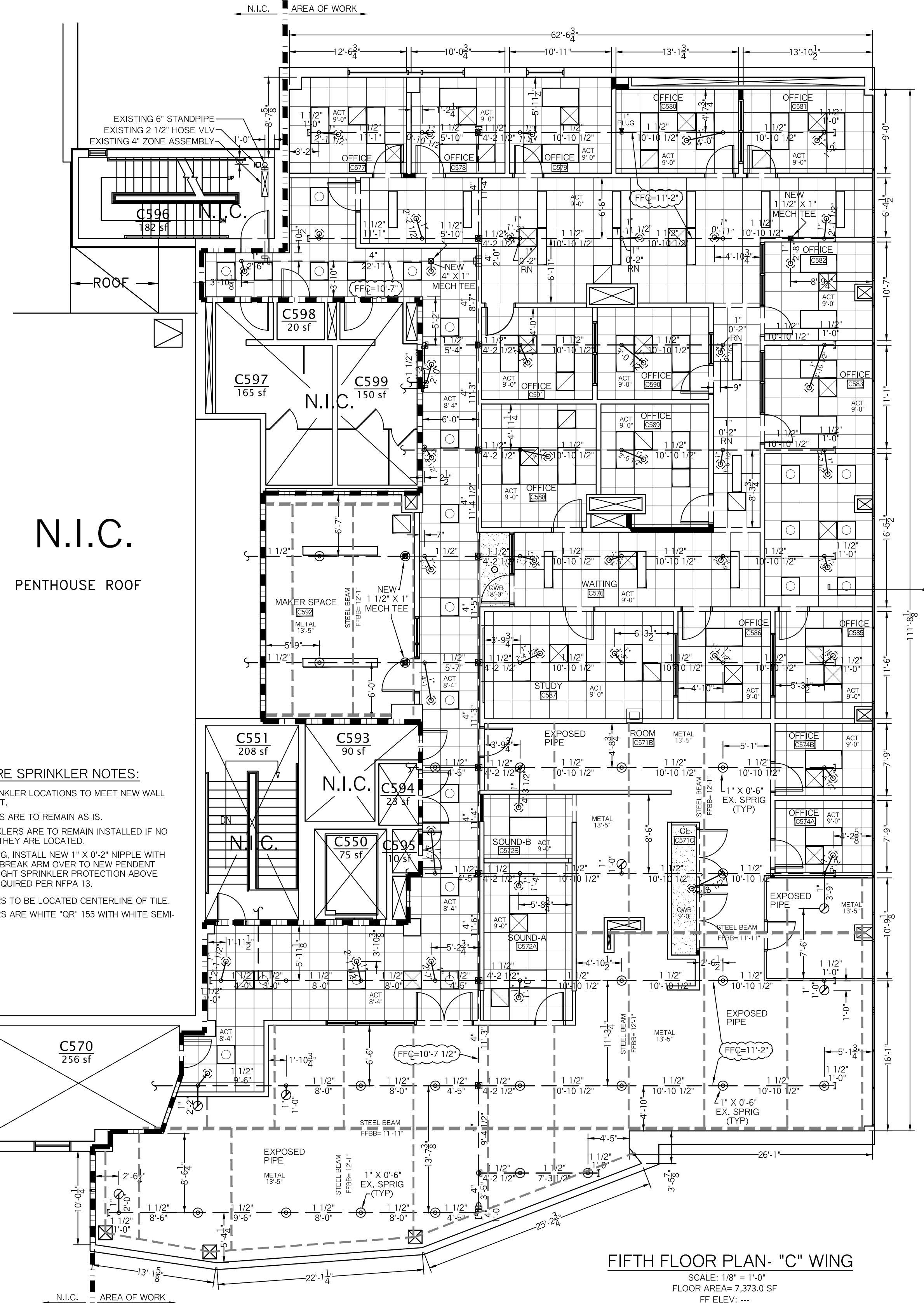
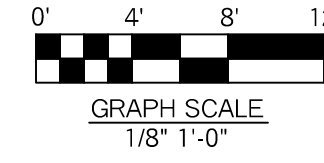
FOURTH FLOOR PLAN - "A" WING

SCALE: 1/8" = 1'-0"  
FLOOR AREA = 2,330.0 SF  
FF ELEV. ---

SPRINKLER HEAD INFORMATION, FOR NEW SPRINKLERS ON THIS FLOOR ONLY

QTY	SIZE	ORIFICE	K-FACTOR	DESCRIPTION	MODEL	TEMP	ESCUTCHEON	SYMBOL
10	1/2"	1/2"	5.6	VIKING "QR" WHITE PENDENT	VK302	155	RECESSED	⊗

TOTAL HEADS = 10



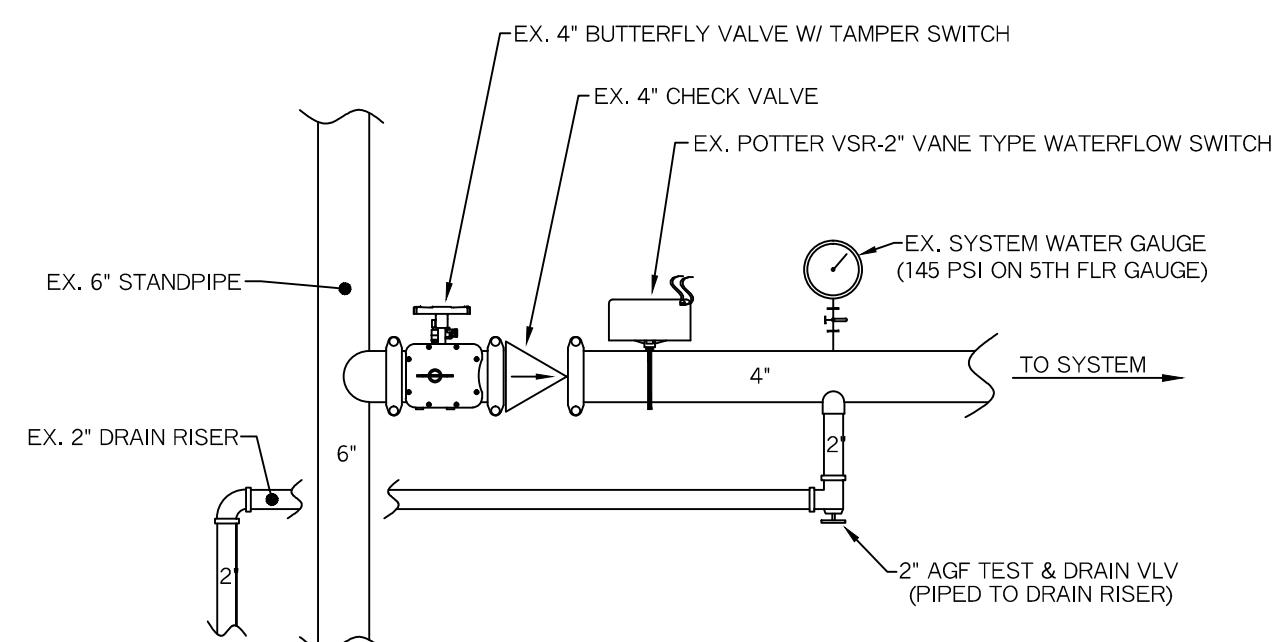
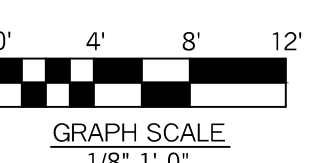
FIFTH FLOOR PLAN - "C" WING

SCALE: 1/8" = 1'-0"  
FLOOR AREA = 7,373.0 SF  
FF ELEV. ---

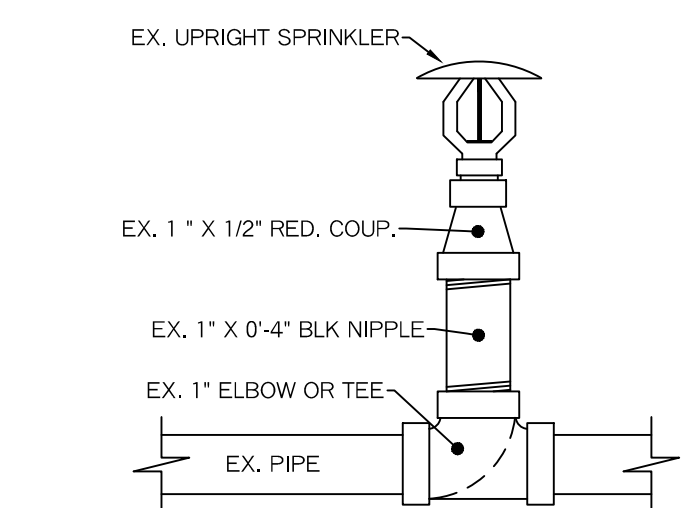
SPRINKLER HEAD INFORMATION, FOR NEW SPRINKLERS ON THIS FLOOR ONLY

QTY	SIZE	ORIFICE	K-FACTOR	DESCRIPTION	MODEL	TEMP	ESCUTCHEON	SYMBOL
...	1/2"	1/2"	5.6	EXISTING BRASS QR UPRIGHT (ON SPRIG)	...	155	NONE	⊙
10	1/2"	1/2"	5.6	NEW VIKING BRASS QR UPRIGHT (ON LINE)	VK300	155	NONE	⊙
44	1/2"	1/2"	5.6	NEW WHITE QR PENDENT (ON DROP)	VK302	155	RECESSED	⊗

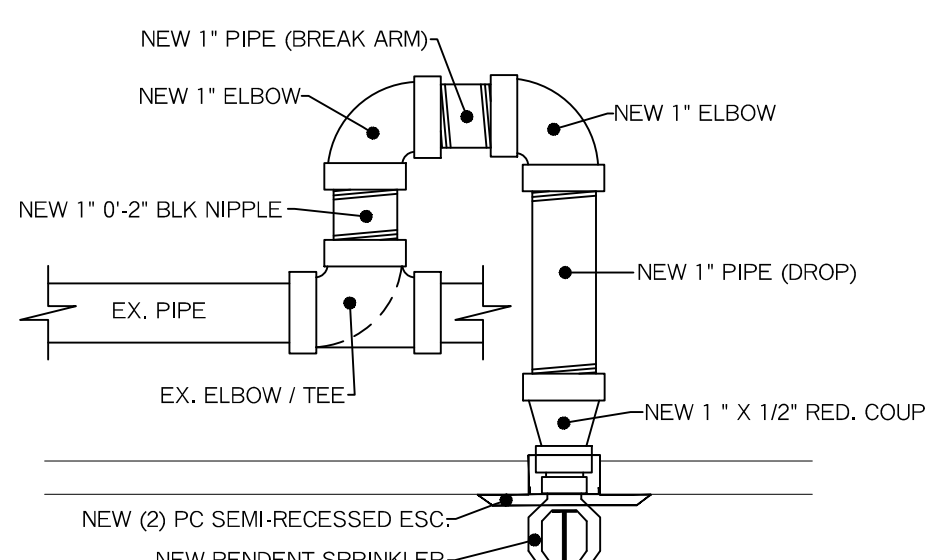
TOTAL HEADS = 54



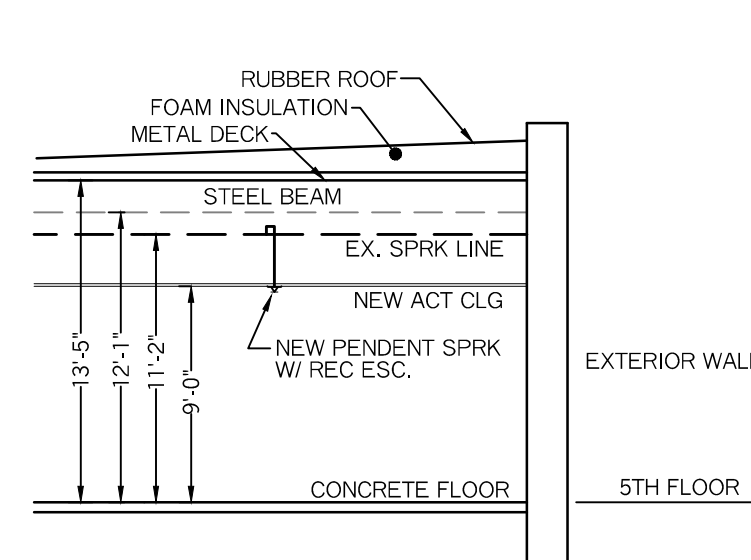
EXISTING FLOOR ZONE CONTROL ASSEMBLY DETAIL



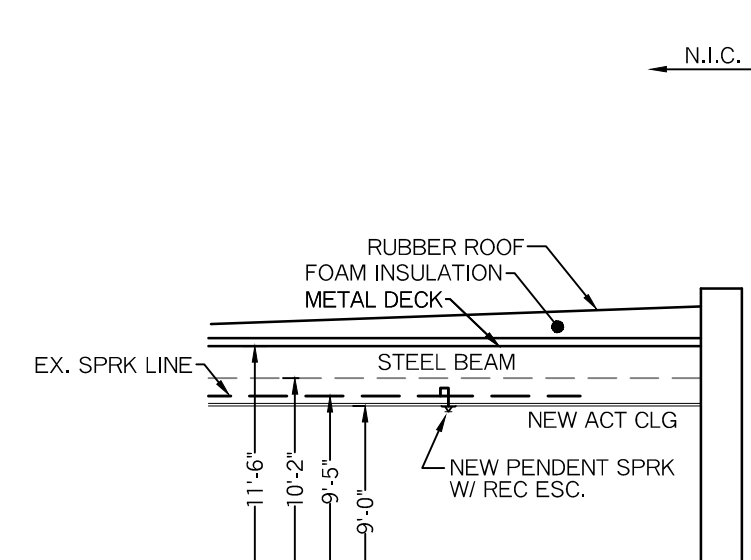
EX. UPRIGHT SPRINKLER (TYP)



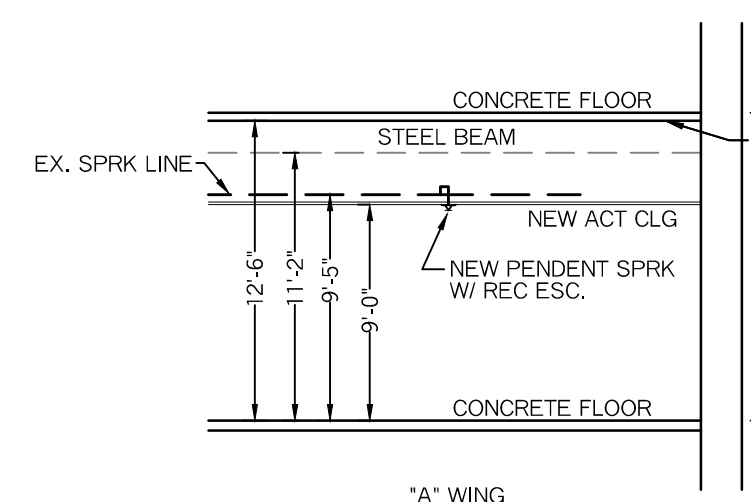
NEW PENDENT SPRINKLER



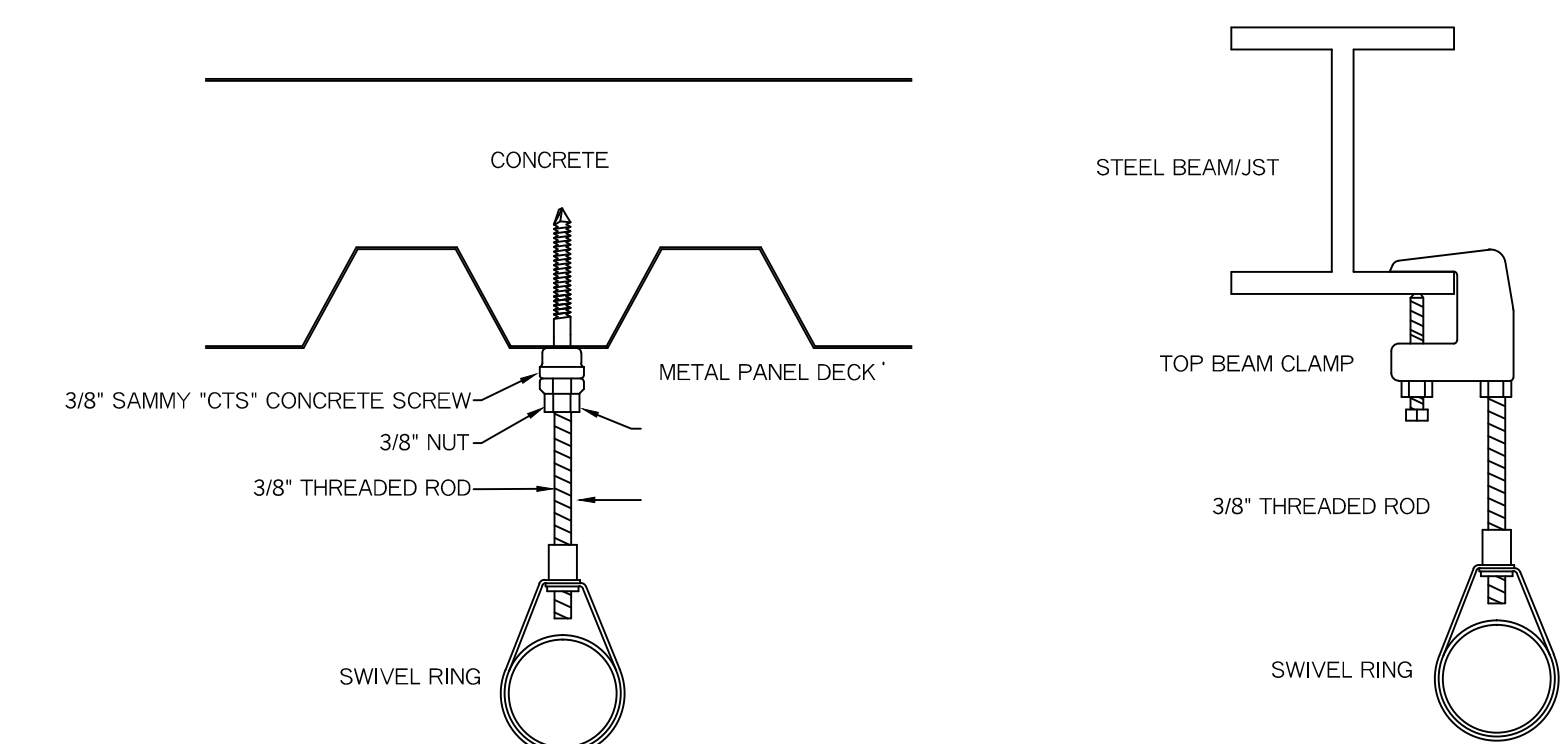
BUILDING SECTION -A-



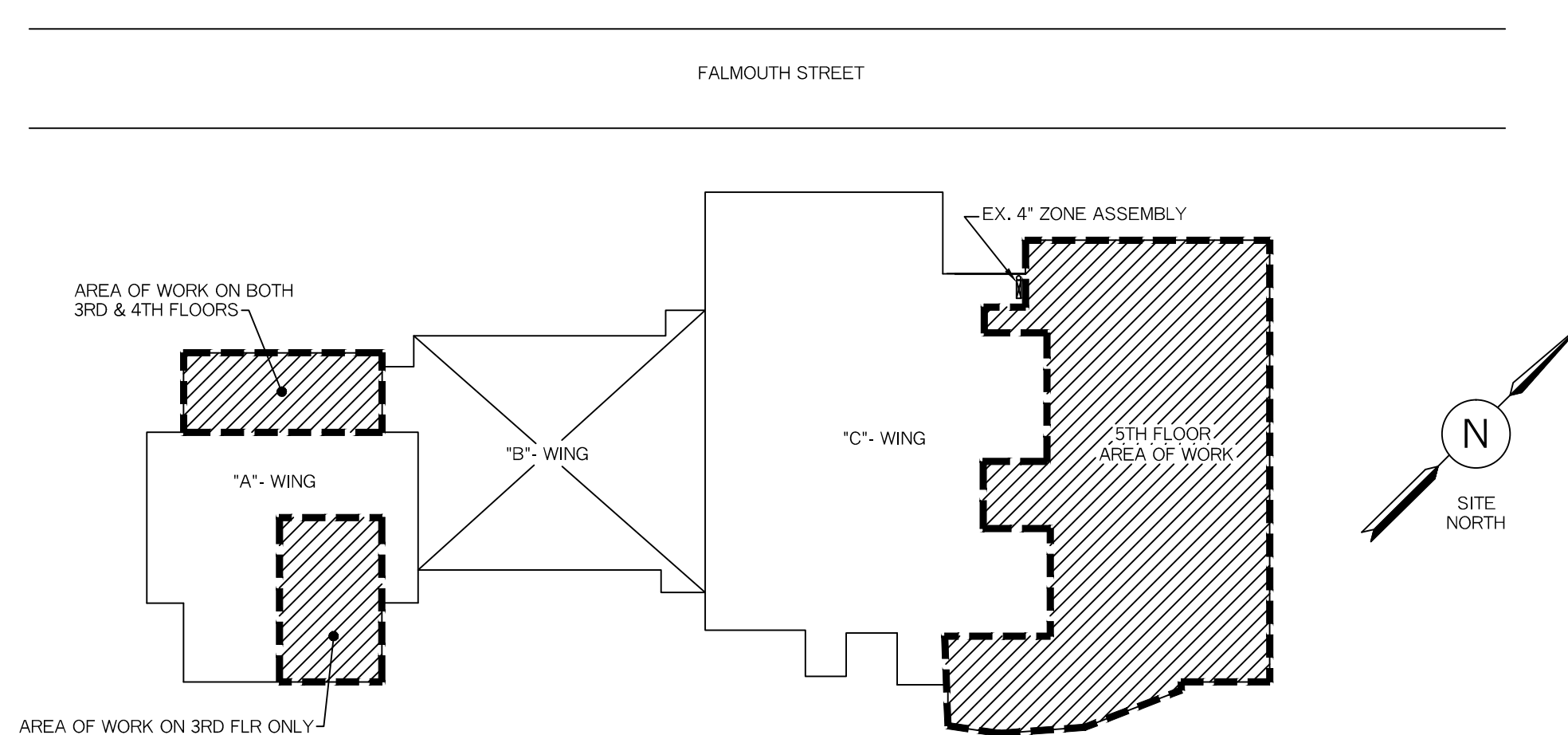
BUILDING SECTION -B-



BUILDING SECTION -C-



HANGER DETAILS



BUILDING KEY PLAN

SYSTEM SYMBOL LEGEND:

- FF = FINISHED FLOOR
- DD = DECK DOWN
- ⊕ = CENTERLINE
- N.I.C. = NOT IN CONTRACT
- = EXISTING PIPE
- = NEW PIPE
- ⬢ = PLUG
- ⬢ = MECHANICAL TEE
- [ ] = CAP
- ⊗ = ZONE ASSEMBLY
- ⊙ = 2 1/2" HOSE VLV
- ⊖ = GROOVED COUPLING

SYSTEM GENERAL NOTES:

- SCOPE OF WORK: RELOCATE EXISTING SPRINKLER HEADS TO MEET NEW WALL AND CEILING LAYOUT THROUGHOUT RENOVATED AREA'S ONLY (3RD, 4TH & 5TH FLOORS ONLY).
- RENOVATIONS TO THE EXISTING SPRINKLER SYSTEM TO BE PER NFPA 13, 2016 EDITION STATE AND LOCAL CODES.
- EXISTING MAIN AND LINES ARE TO REMAIN AS IS IN THE SAME LOCATIONS.
- ALL EXISTING SPRINKLER EQUIPMENT (ZONE ASSEMBLIES, FIRE PUMP, FDC AND ALARMS) ARE TO REMAIN AS IS.
- NEW LINE PIPING (1") TO BE BLACK SCHEDULE 40 STEEL WITH THREADED ENDS CONNECTED WITH DUCTILE-IRON FITTINGS.
- NEW 1/2" BRASS UPRIGHT SPRINKLERS TO BE VIKING "QR" 155", K=5.6
- NEW 1/2" WHITE PENDENT SPRINKLERS TO BE VIKING "QR" 155", K=5.6 WITH RECESSED ESCUTCHEON

PROJECT NAME: <b>USM SCIENCE BLDG OFFICE 2017 RENOVATIONS</b> 65 FALMOUTH STREET PORTLAND, ME. 04103	FIRE SPRINKLER PLANS AND DETAILS REQUIRED APPROVALS: STATE FIRE MARSHALS OFFICE LOCAL FIRE DEPARTMENT OWNER	RESIDENTIAL FIRE PROTECTION, LLC PROTECTION, LLC
CONTRACT WITH: <b>DIMATTEO CONSTRUCTION</b> 231 FRONT STREET SOUTH PORTLAND, ME. 04106 PH: (207) 767-7410	DRAWN BY: TFP NICET III CERTIFICATION # 100854	DATE: 3-26-2017 SCALE: 1/8" = 1'-0"
<b>RESIDENTIAL FIRE PROTECTION</b> 64 DAGGETT HILL ROAD, GREENE, MAINE 04236 PH: (207) 946-3473 FAX: (207) 946-3474	CHECKED BY: SJC NICET III (03854) CERTIFICATION # 78065	CONTRACT NO. C17006 DRAWING NO. 1 OF 1
	CONTRACTOR LICENSE #511	CONTRACTOR RMS #80