

- NOTES:**
1. SHUTOFF VALVES: BALL VALVE FOR 2" AND SMALLER. CONNECT THE WATER SUPPLY TO THE AIR LEAVING SIDE AND THE WATER RETURN TO THE AIR ENTERING SIDE.
 2. PROVIDE DIELECTRIC UNIONS OR FLANGES WHERE DISSIMILAR METALS OCCUR.
 3. MINIMUM 5 PIPE DIA. OF STRAIGHT PIPE AT INLET AND OUTLET OF CIRCUIT SETTERS.

144 Fore Street/P.O. Box 618
 Portland, Maine 04104
 tel. (207) 772-3846
 fax. (207) 772-1070
 www.smrinc.com

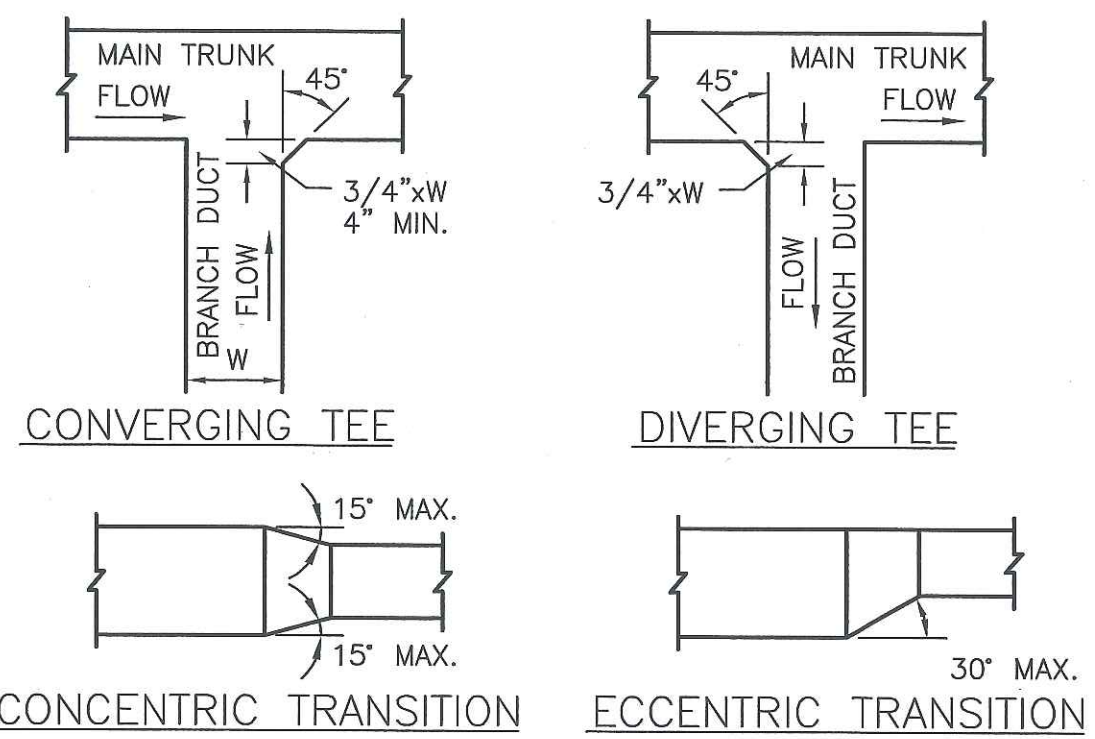
ARCHITECTURE
 ENGINEERING
 PLANNING
 INTERIOR DESIGN
 COMMISSIONING

SMRI

USM SCIENCE BUILDING C WING
 CYBER SECURITY LAB FIT-UP
 PROJECT 2013-007
 PORTLAND, MAINE

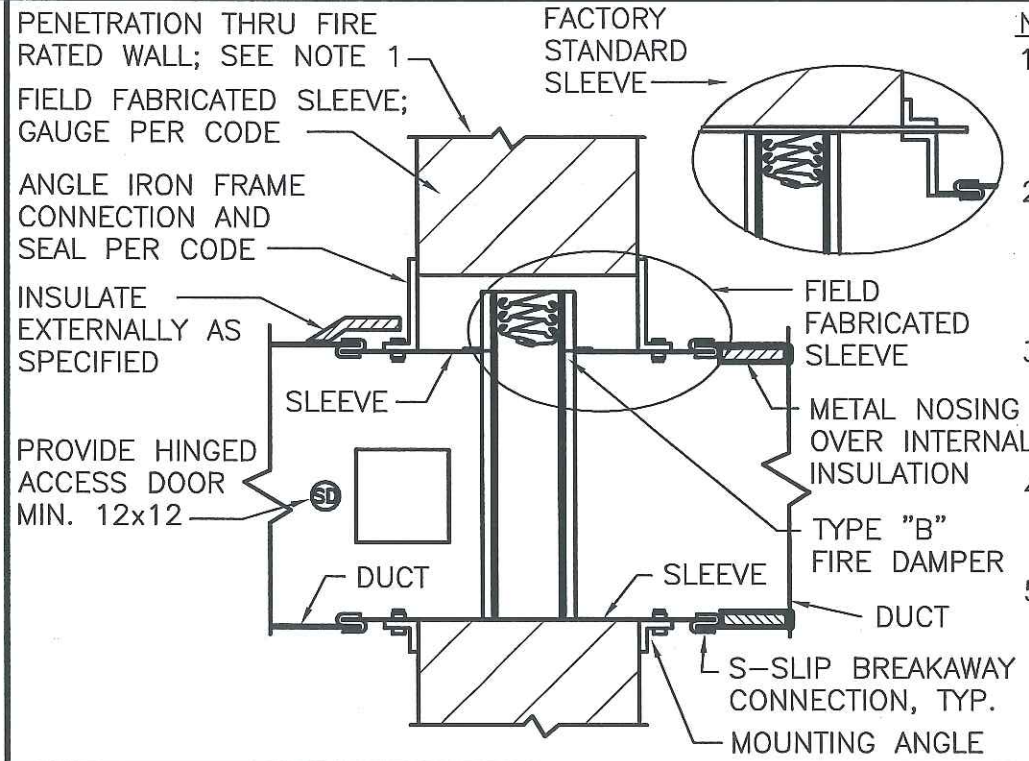
A5 DUCT MOUNTED REHEAT COIL, TWO-WAY VALVE

NOT TO SCALE



A1 DUCT TRANSITIONS

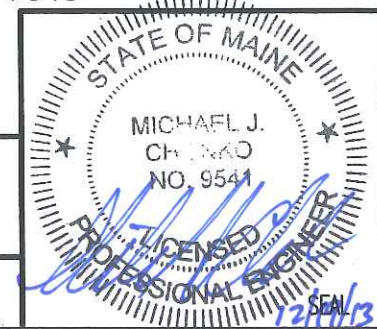
NOT TO SCALE



A4 FIRE/SMOKE DAMPER DETAIL

NOT TO SCALE

- NOTES:**
1. MAKE OPENING 1/8" PER LINEAL FOOT LARGER THAN DAMPER DIMENSIONS WITH 1/4" MIN REQ'D.
 2. SLEEVE GAUGE ≥ GAUGE OF DUCT WHERE DUCT CONSTRUCTION AND JOINTS PER NFPA 90. DUCT 20 GA. MIN.
 3. DAMPER CONSTRUCTED AND TESTED PER UL 555, UL LABELED, 1-1/2 HOUR FIRE RATING W/165°F FUSIBLE LINK.
 4. SEAL BETWEEN WALL AND SLEEVE W/APPROVED FIRE STOP MATERIAL.
 5. REFER TO UL/UCL SYSTEM W-L-7040



ISSUED FOR PERMITTING AND CONSTRUCTION
 12-20-13
 CURRENT ISSUE STATUS:

ISSUED FOR PERMITTING AND CONSTRUCTION	DESCRIPTION	DATE
0		12-20-13

SCALE: NONE
 PROJECT MANAGER: SLB
 JC/DRAWN BY: MBD
 A/E OF RECORD: MJC
 CAD FILE: M-503-12014-02
 PROJECT NO: 12014-02
 DATE: 12-20-13

SHEET TITLE:
MECHANICAL DETAILS

SHEET No. **M-503**
 © COPYRIGHT 2012 SMRT INC.