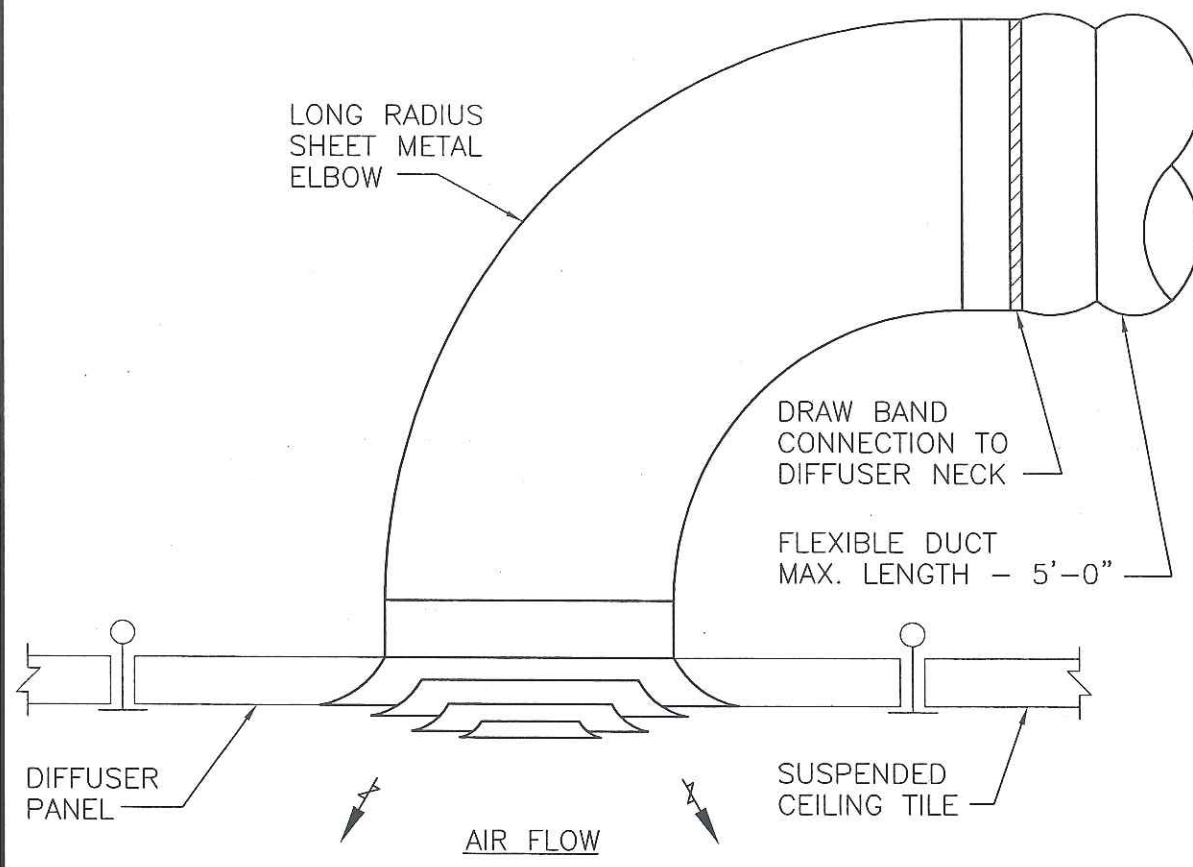
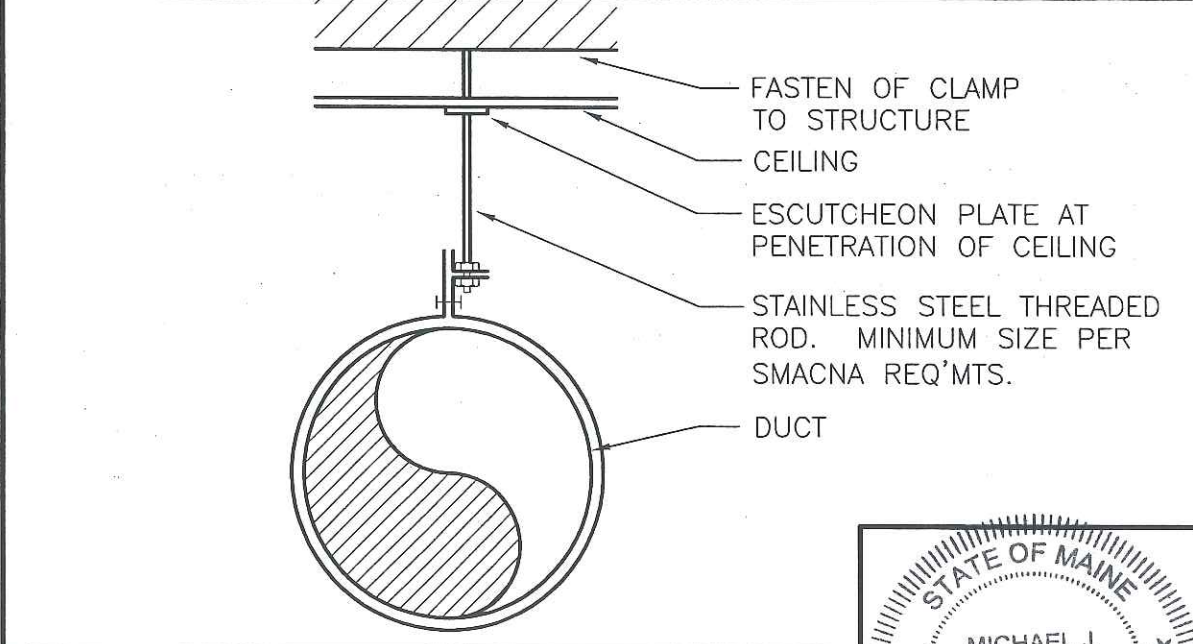


NOTES: TYPICAL FOR RUNOUTS TO CEILING DIFFUSERS

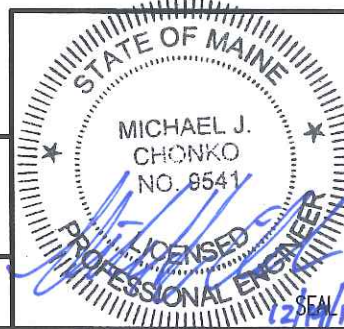
1. SUPPORT IN ACCORDANCE W/ SMACNA GUIDELINES.
2. BAND FLEX TO COLLAR 1/2" MINIMUM FROM OUTBOARD END OF COLLAR.
3. INSTALL SPIN COLLAR DAMPER IN OPEN POSITION; FINAL ADJUSTMENT BY TESTING AND BALANCING CONTRACTOR.
4. POP RIVET OR SHEET METAL SCREWS, MINIMUM 3 EA AT 120° INTERVALS, CONNECTING STOVEPIPE TO COLLAR. ENSURE RIVETS OR SCREWS DO NOT INTERFERE W/DAMPER.
5. SEAL JOINTS TO PREVENT LEAKAGE USE SPECIFIED SEALANTS.
6. INSTALL LOCKING QUADRANT AND HANDLE ON BOTTOM OF DUCT FOR EASY SERVICE (SHOWN ON TOP FOR EASE OF ILLUSTRATION ONLY).



D5 FLEXIBLE DUCT
NOT TO SCALE



A5 DUCT HANGER
NOT TO SCALE



144 Fore Street/P.O. Box 618
Portland, Maine 04104
tel. (207) 772-3846
fax. (207) 772-1070
www.smrinc.com

ARCHITECTURE
ENGINEERING
PLANNING
INTERIOR DESIGN
COMMISSIONING

SMRT

**USM SCIENCE BUILDING C WING
CYBER SECURITY LAB FIT-UP
PROJECT 2013-007**
PORTLAND, MAINE

| | | | |
|--|--|----------|------|
| ISSUED FOR PERMITTING AND CONSTRUCTION | | 12-20-13 | DATE |
| CURRENT ISSUE STATUS: | | | |
| 0 | ISSUED FOR PERMITTING AND CONSTRUCTION | 12-20-13 | DATE |
| | DESCRIPTION | | |
| | REV | | |

SCALE: NONE
PROJECT MANAGER: SLB
JC/DRAWN BY: MBD
A/E OF RECORD: MJC
CAD FILE: M-502-12014-02
PROJECT NO: 12014-02
DATE: 12-20-13
SHEET TITLE:
MECHANICAL DETAILS
SHEET No. **M-502**
© COPYRIGHT 2012 SMRT INC.