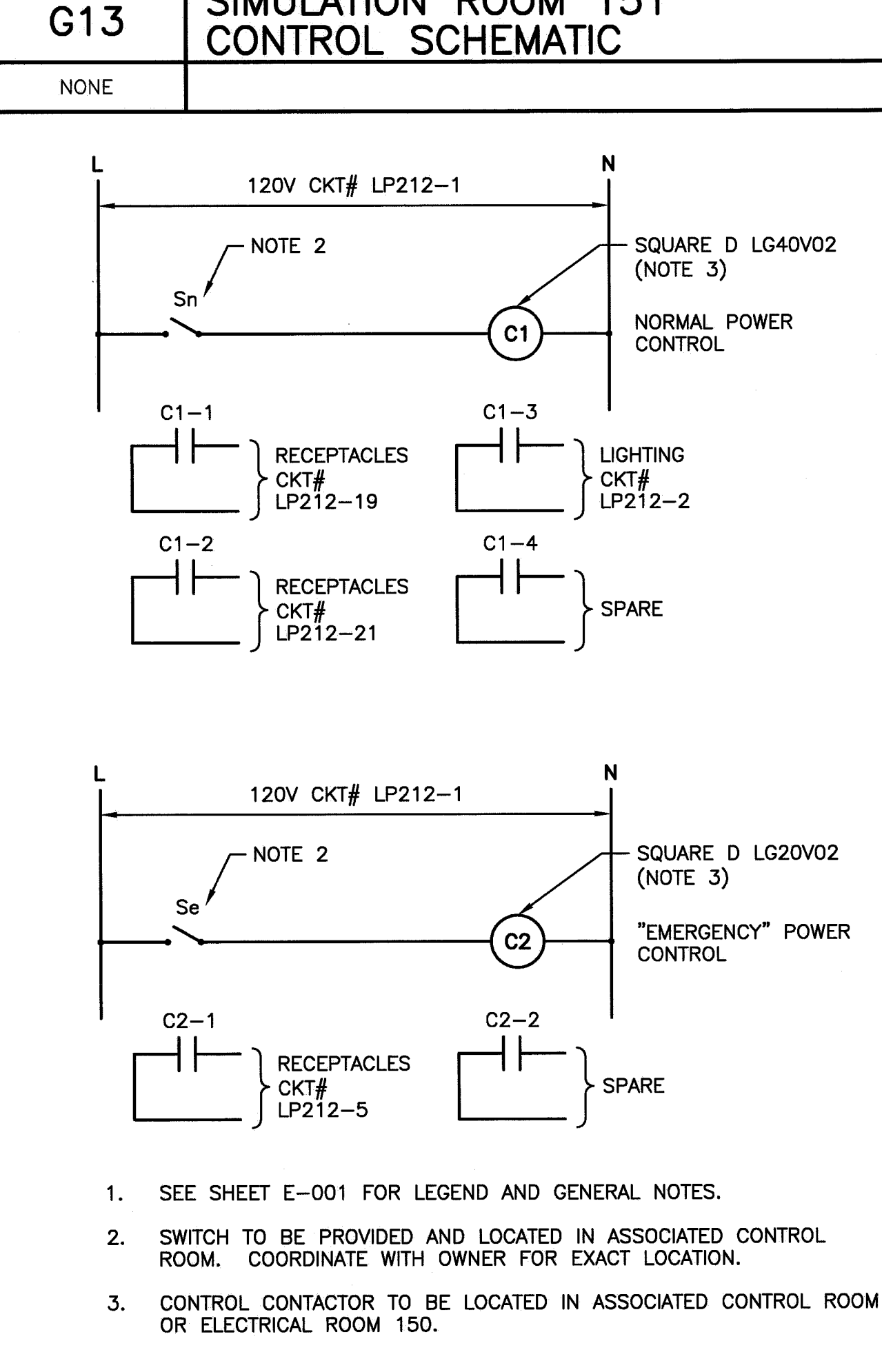
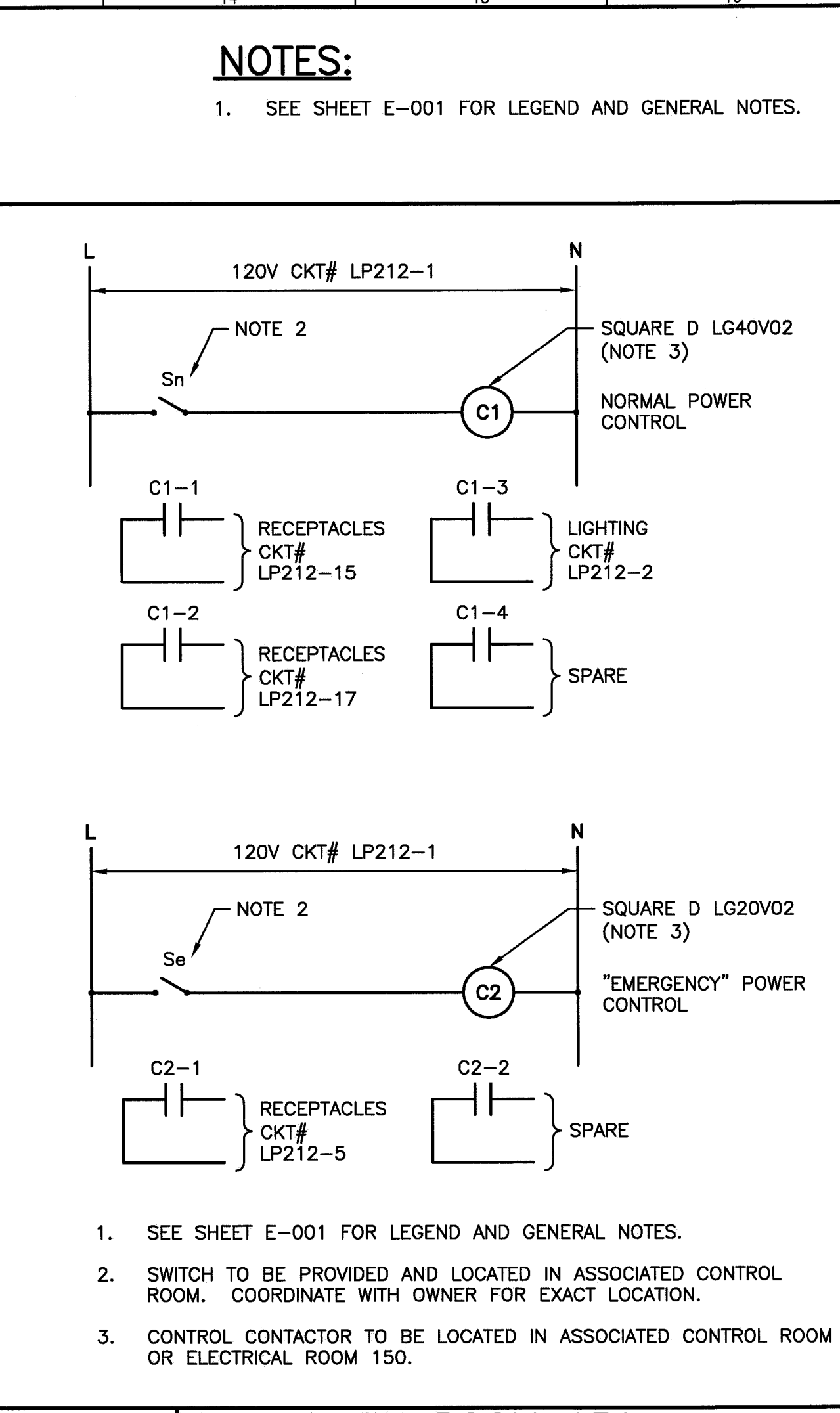
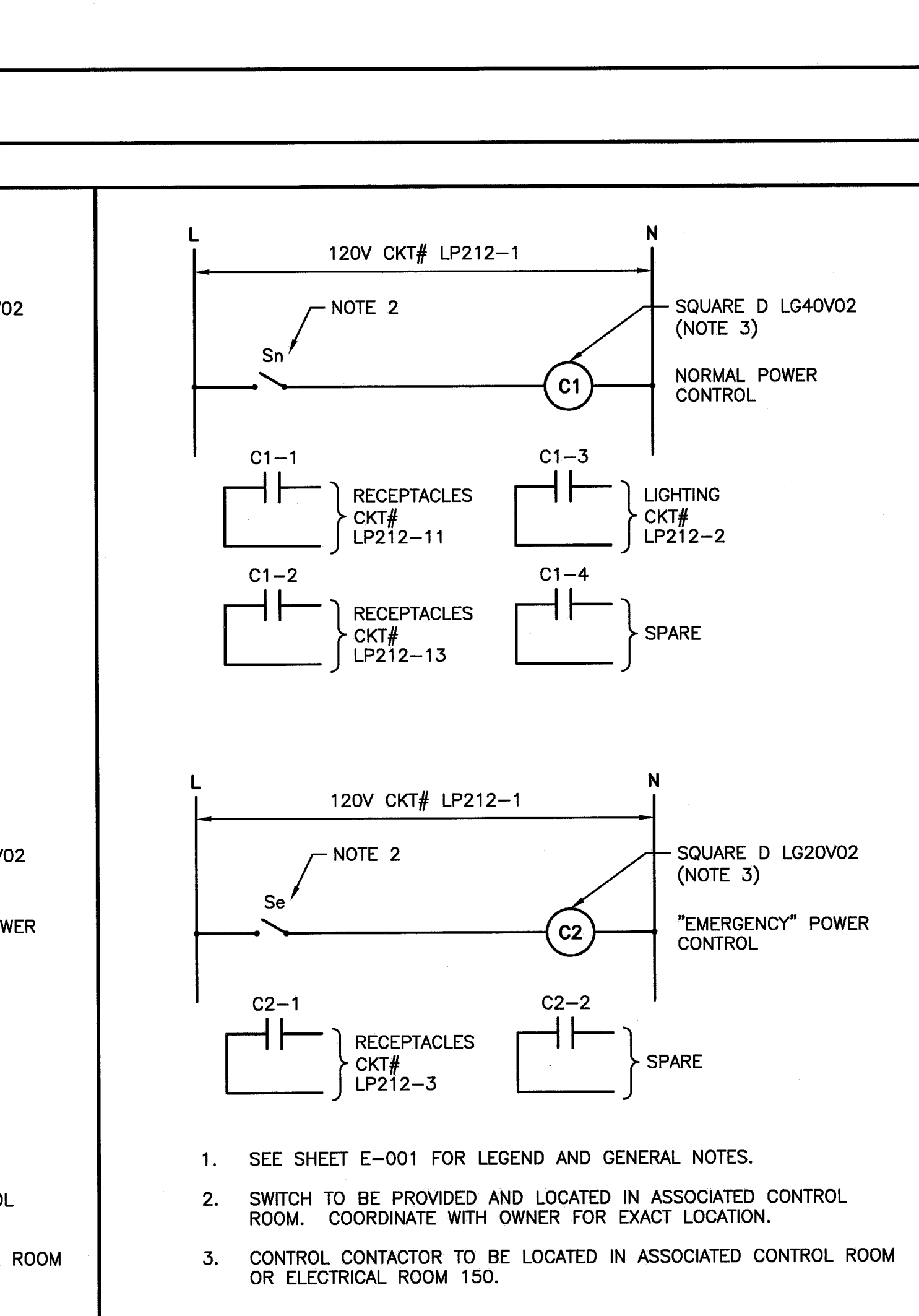
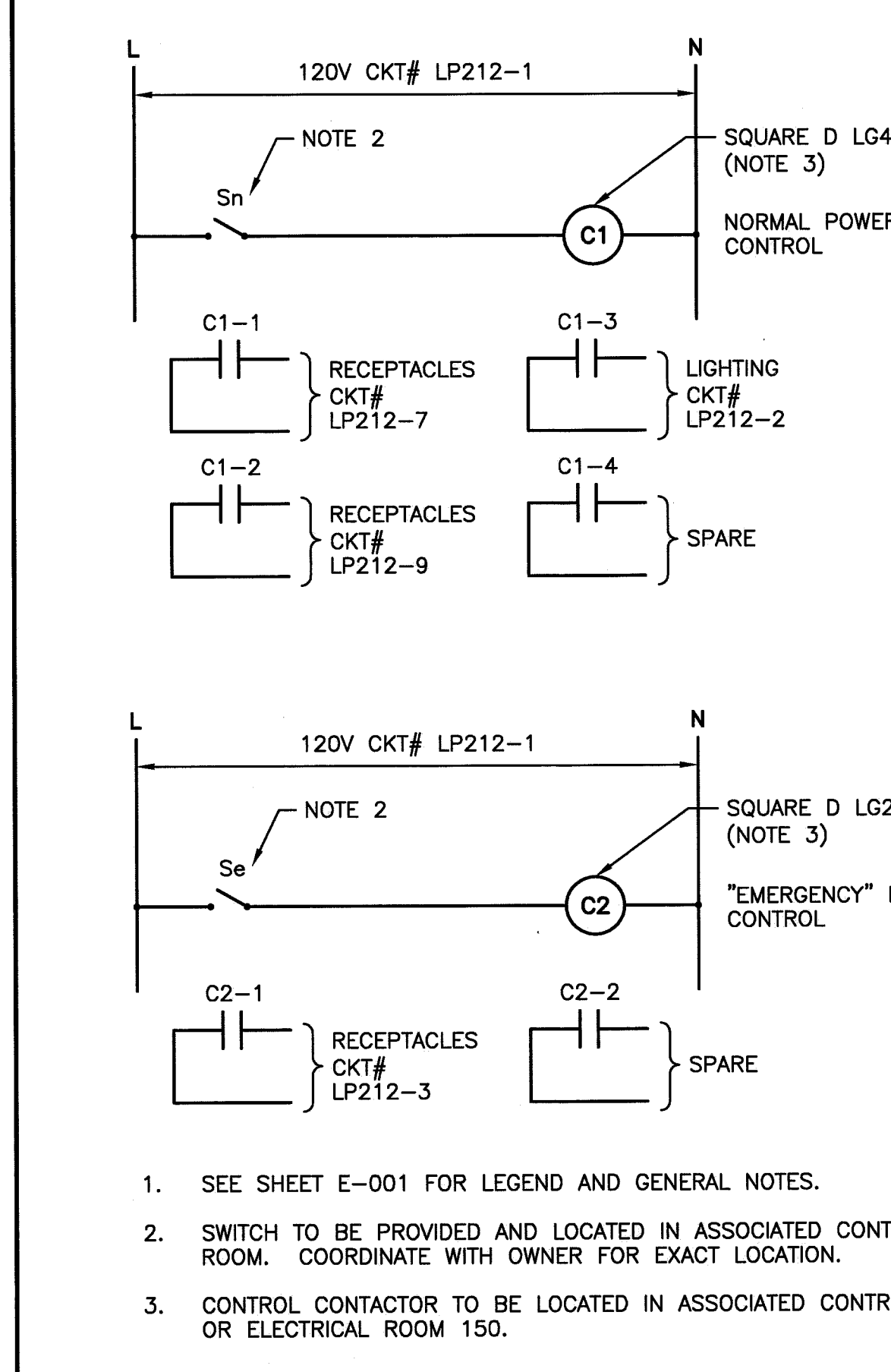
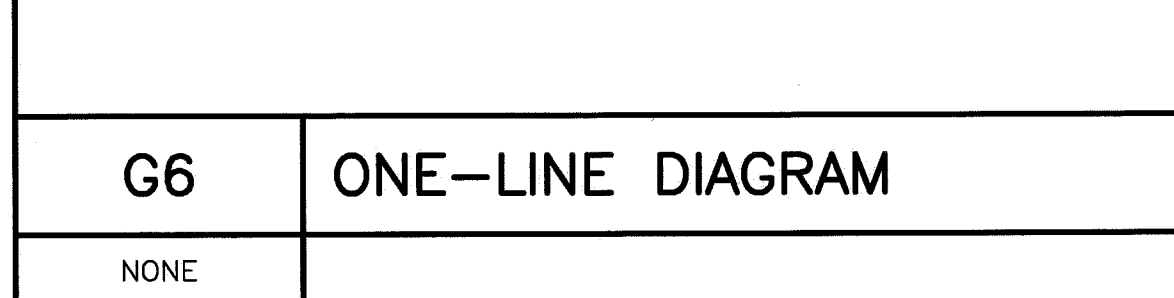
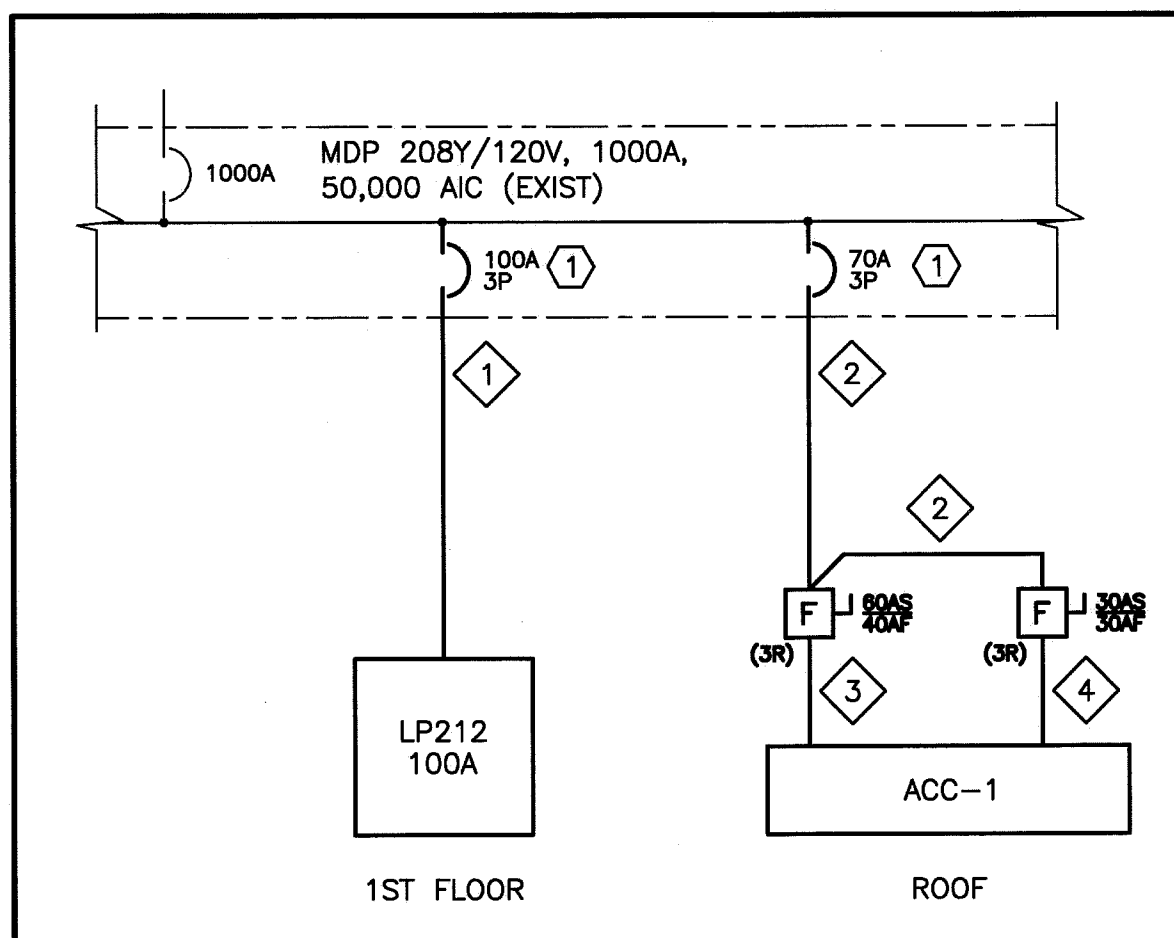


DIRECTORY	KVA LOAD			CKT NO.	BKR AMPS	A	B	C	BKR AMPS	CKT NO.	KVA LOAD	A	B	C	DIRECTORY																	
	A	B	C													A	B	C														
CONTROL RELAYS - EXAM ROOMS	0.4			1	20					20	0.8				LTG - SIMULATION RMS 140,143,151,153																	
"EMERGENCY" RECEPES - SIM RMS 140,143		1.0		3	20					20	1.0				LTG - 141, 142, 150, 152, 156																	
"EMERGENCY" RECEPES - SIM RMS 151,153			0.8	5	20					20	1.0				LTG - 144-149																	
"NORMAL" RECEPES - SIMULATION RM 140	0.8			7	20					20	0.4				VRF-1 THRU VRF-9																	
"NORMAL" RECEPES - SIMULATION RM 140		0.8		9	20					20	0.4				(RMS 140, 141, 143-145, 147, 151-153)																	
"NORMAL" RECEPES - SIMULATION RM 143			0.8	11	20					20	0.8				RECEPES - LAB MANAGER 144																	
"NORMAL" RECEPES - SIMULATION RM 143	0.8			13	20					20	0.8				RECEPES - NURSE STATION 145																	
"NORMAL" RECEPES - SIMULATION RM 151		0.8		15	20					20	0.8				RECEPES - MEDS 147																	
"NORMAL" RECEPES - SIMULATION RM 151			0.8	17	20					20	0.8				RECEPES-CLEAN 148, STIRG 149, ELEC 150, ENTRY 154																	
"NORMAL" RECEPES - SIMULATION RM 153	0.8			19	20					20	1.0				RECEPES - CORRIDOR 156																	
"NORMAL" RECEPES - SIMULATION RM 153		0.8		21	20					20	0.1				CONDENSATE PPS FOR WALL MTD AC																	
UNSWITCHED RECEPES - SIM RMS 140,143			0.8	23	20					20					SPARE																	
UNSWITCHED RECEPES - SIM RMS 151,153			0.8	25	20					20					SPARE																	
RECEPES - CONTROL ROOM 141		1.0		27	20					20					SPARE																	
RECEPES - CONTROL ROOM 141			1.0	29	20					20					SPARE																	
RECEPES - CONTROL ROOM 152	1.0			31	20					20					SPACE																	
RECEPES - CONTROL ROOM 152		1.0		33	20					20					SPACE																	
AIR COMPRESSORS & EF-1 - UTILITY 142			1.0	35	20					20					SPACE																	
SPARE				37	20					20					SPACE																	
SPARE				39	20					20					SPACE																	
SPARE				41	20					20					SPACE																	
SUB-TOTAL	4.6	5.4	5.2								3.0	2.3	2.6		SUB-TOTAL																	
NEUTRAL BUS												GROUND BUS																				
VOLTAGE: 208Y/120V												3 PHASE			4 WIRE			100 AMP BUS			TOTAL KVA A			7.6			PANEL NO.			LP212		
MAIN LUGS ONLY															100 AMP LUGS			TOTAL KVA B														
MOUNTING: SURFACE																		TOTAL KVA C			7.8			LOCATION			ELEC 150					
SC RATING: 10,000 AIC																		TOTAL KVA			23.1											
NOTES: *																																

DIRECTORY	KVA LOAD			CKT NO.	BKR AMPS	A	B	C	BKR AMPS	CKT NO.	KVA LOAD	A	B	C	DIRECTORY																				
	A	B	C													A	B	C																	
(1) SPARE				1	15					15	2				(1)																				
(2) SPARE				3	20					20	4				(1)																				
(6) SPARE			0.6	5	20					20	6				(1)																				
(2) SPARE				7	20					20	8				(1)																				
(7) LTG-101, 109			0.8	9	20					20	10				(1)																				
(7) NIGHT LTG & EXITS-101, 107, 109			0.8	11	20					20	12				(2)																				
(1) SPARE				13	20					20	14				(2)																				
(1) SPARE				15	20					20	16				(2)																				
(1) SPARE				17	20					20	18				(2)																				
(1) SPARE				19	20					20	20				(2)																				
(1) SPARE				21	20					20	22				(2)																				
(1) SPARE				23	20					20	24				(1)																				
(1) SPARE				25	20					20	26				(1)																				
(2) SPARE				27	20					20	28				(1)																				
(1) SPARE				29	15					15	30				(1)																				
(2) SPARE				31	20					20	32				(1)																				
(1) UNUSABLE				33	-					-	34				(1)																				
(1) UNUSABLE				35	20					15	36				(1)																				
(1) UNUSABLE				37	20					15	38				(1)																				
(1) UNUSABLE				39	30					30	40				(1)																				
(1) UNUSABLE				41	30					30	42				(1)																				
SUB-TOTAL	*	*	*												SUB-TOTAL																				
NEUTRAL BUS												GROUND BUS																							
VOLTAGE: 208Y/120V												3 PHASE			4 WIRE			225 AMP BUS			TOTAL KVA A			*			PANEL NO.			LP211 (EXISTING)					
MAIN LUGS ONLY															150 AMP LUGS			TOTAL KVA B																	
MOUNTING: SURFACE																		TOTAL KVA C			*			LOCATION			ELEC 108								
SC RATING: 10,000 AIC																		TOTAL KVA																	
NOTES: (1) EXISTING CIRCUIT TO REMAIN (2) EXISTING CIRCUIT TO BECOME SPARE (3) NEW CIRCUIT, EXISTING CIRCUIT DELETED (4) NEW CIRCUIT FROM SPARE CIRCUIT BREAKER (5) NEW CIRCUIT BREAKER (6) EXISTING CIRCUIT PARTIALLY DELETED (7) EXISTING CIRCUIT PARTIALLY DELETED; NEW ADDITIONAL LOAD																																			

DIRECTORY	KVA LOAD			CKT NO.	BKR AMPS	A	B	C	BKR AMPS	CKT NO.	KVA LOAD	A	B	C	DIRECTORY																				
	A	B	C													A	B	C																	
(1) SPARE				1	20					20	2				(1)																				
(1) SPARE				3	20					20	4				(1)																				
(1) SPARE				5	20					20	6				(1)																				
(1) SPARE				7	20					20	8				(1)																				
(1) SPARE				9	20					20	10				(1)																				
(1) SPARE				11	20					20	12				(1)																				
(1) SPARE				13	20					20	14				(1)																				
(1) SPARE				15	20					20	16				(1)																				
(1) SPARE				17	20					20	18				(1)																				
(3) RECEPES - DEBRIEFING 303			0.7	19	20					20	20				(1)																				
(4) MONITOR & PROJECTOR - DEBRIEFING 303			0.8	21	20					20	22				(1)																				
(5) RECEPES & PATIENT LIFT - FUNDAMENTALS LAB 305			1.2	23	20					20	24				(1)																				
(5) RECEPES - FUNDAMENTALS LAB 305			1.2	25	20					20	26				(5)																				
(5) RECEPES & PROJECTOR - FUNDAMENTALS LAB 305			0.8	27	20					28	0.6				RECEPES - STORAGE 305A, POLY COM 311(5)																				
(1) SPARE				29	30					30					SPACE																				
(1) SPARE				31	30					32					SPACE																				
(1) SPARE				33	30					34					SPACE																				
(1) SPARE				35	30					20	0.2				VRF - 10, 11, 12, 13 (ROOMS 303, 305, 311)																				
SUB-TOTAL	*	*	*												SUB-TOTAL																				
NEUTRAL BUS												GROUND BUS																							
VOLTAGE: 208Y/120V												3 PHASE			4 WIRE			225 AMP BUS			TOTAL KVA A			*			PANEL NO.			LP231 (LEFT) (EXISTING)					
MAIN LUGS ONLY															225 AMP LUGS			TOTAL KVA B																	
MOUNTING: SURFACE																		TOTAL KVA C			*			LOCATION			ELEC 309								
SC RATING: 10,000 AIC																		TOTAL KVA																	
NOTES: (1) EXISTING CIRCUIT TO REMAIN (2) EXISTING CIRCUIT TO BECOME SPARE (3) NEW CIRCUIT, EXISTING CIRCUIT DELETED (4) NEW CIRCUIT FROM SPARE CIRCUIT BREAKER (5) NEW CIRCUIT BREAKER (6) EXISTING CIRCUIT PARTIALLY DELETED (7) EXISTING CIRCUIT PARTIALLY DELETED; NEW ADDITIONAL LOAD																																			

DIRECTORY	KVA LOAD			CKT NO.	BKR AMPS	A	B	C	BKR AMPS	CKT NO.	KVA LOAD	A	B	C	DIRECTORY																				
	A	B	C													A	B	C																	
(3) LTG - FUNDAMENTALS LAB 305	1.5			1	20					20	0.8				RECEPES - FUNDAMENTALS LAB 305 (3)																				
(1) LTG - DEBRIEFING 303, STORAGE 305A			0.9	3	20					20	4				(1)																				
(1) LTG - DEBRIEFING 303, STORAGE 305A			0.9	5	20					20	6				(7)																				
(1) SPARE				7	20					20	8				(1)																				
(1) SPARE				9	20					20	10				(1)																				
(1) SPARE				11	20					20	12				(1)																				
(1) SPARE				13	20					20	14				(1)																				
(1) SPARE				15	20					20	16				(1)																				
(1) SPARE				17	20					20	18				(1)																				
(1) SPARE				19	20					20	20				(1)																				
(1) SPARE				21	20					20	22				(1)																				
(1) SPARE				23	20					20	24				(1)																				
SUB-TOTAL	*	*	*												SUB-TOTAL																				
NEUTRAL BUS												GROUND BUS																							
VOLTAGE: 208Y/120V												3 PHASE			4 WIRE			? AMP BUS			TOTAL KVA A			*			PANEL NO.			LP231 (RIGHT) (EXISTING)					
MAIN LUGS ONLY															? AMP LUGS			TOTAL KVA B			*														
MOUNTING: SURFACE																		TOTAL KVA C			*			LOCATION			ELEC 309								
SC RATING: 10,000 AIC																		TOTAL KVA																	
NOTES: (1) EXISTING CIRCUIT TO REMAIN (2) EXISTING CIRCUIT TO BECOME SPARE (3) NEW CIRCUIT, EXISTING CIRCUIT DELETED (4) NEW CIRCUIT FROM SPARE CIRCUIT BREAKER (5) NEW CIRCUIT BREAKER (6) EXISTING CIRCUIT PARTIALLY DELETED (7) EXISTING CIRCUIT PARTIALLY DELETED; NEW ADDITIONAL LOAD																																			



NOTES:
 1. SEE SHEET E-001 FOR LEGEND AND GENERAL NOTES.

144 Fore Street/P.O. Box 618
 Portland, Maine 04104
 Tel. (207) 772-3846
 Fax. (207) 772-1070
 www.smrtinc.com

ARCHITECTURE
 ENGINEERING
 PLANNING
 INTERIOR DESIGN
 COMMISSIONING

SMRT

UNIVERSITY OF SOUTHERN MAINE
 SIMULATION LABORATORY
 PORTLAND, MAINE

ISSUED FOR BIDDING & CONSTRUCTION
 4-15-11

CURRENT ISSUE STATUS:
 REV. NO. DESCRIPTION DATE

GRAPHIC SCALE:
 0" = 1"

SCALE: NONE
 PROJECT MANAGER: SLB
 JC/DRAWN BY: CDS
 A/E OF RECORD: JPB
 CAD FILE: E-601-10150
 PROJECT NO: 10150-00
 DATE: 4-15-11
 SHEET TITLE:
 SCHEDULES, DETAILS AND ONE-LINE DIAGRAM

SHEET No. **E-601**