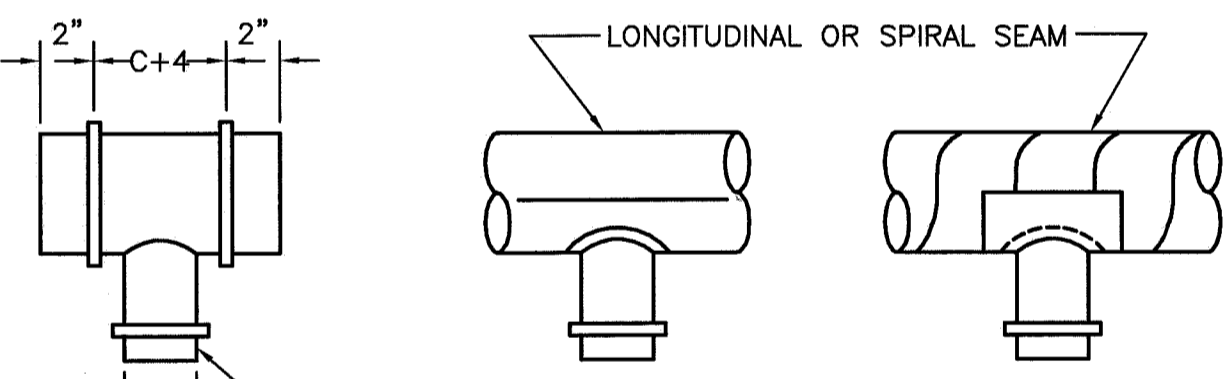


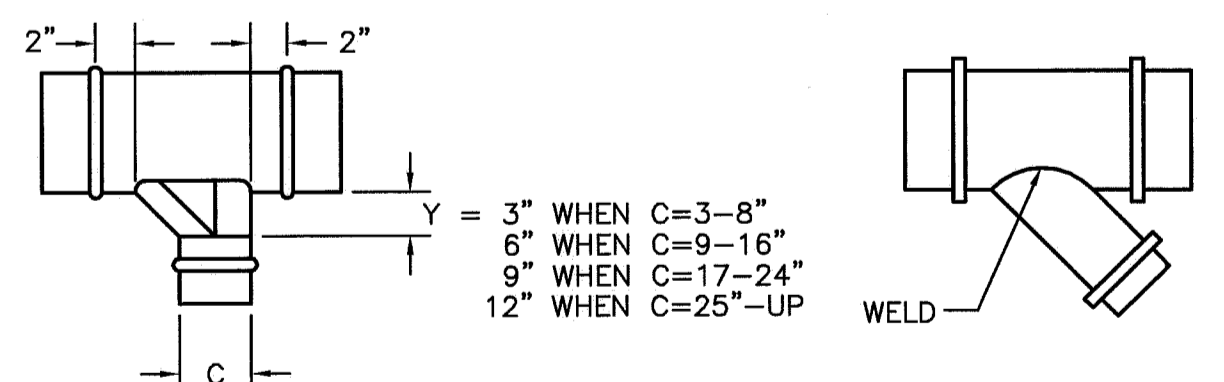
NOTES:  
1. PROVIDE STEEL SUPPORT FOR DIFFUSER/GRILLES IF FACE OF DIFFUSER/GRILLE IS NOT EQUAL TO CEILING MODULE.

**G1 FLEXIBLE DUCT**

NOT TO SCALE



90° TEE FITTING      90° TAP      90° SADDLE TAP



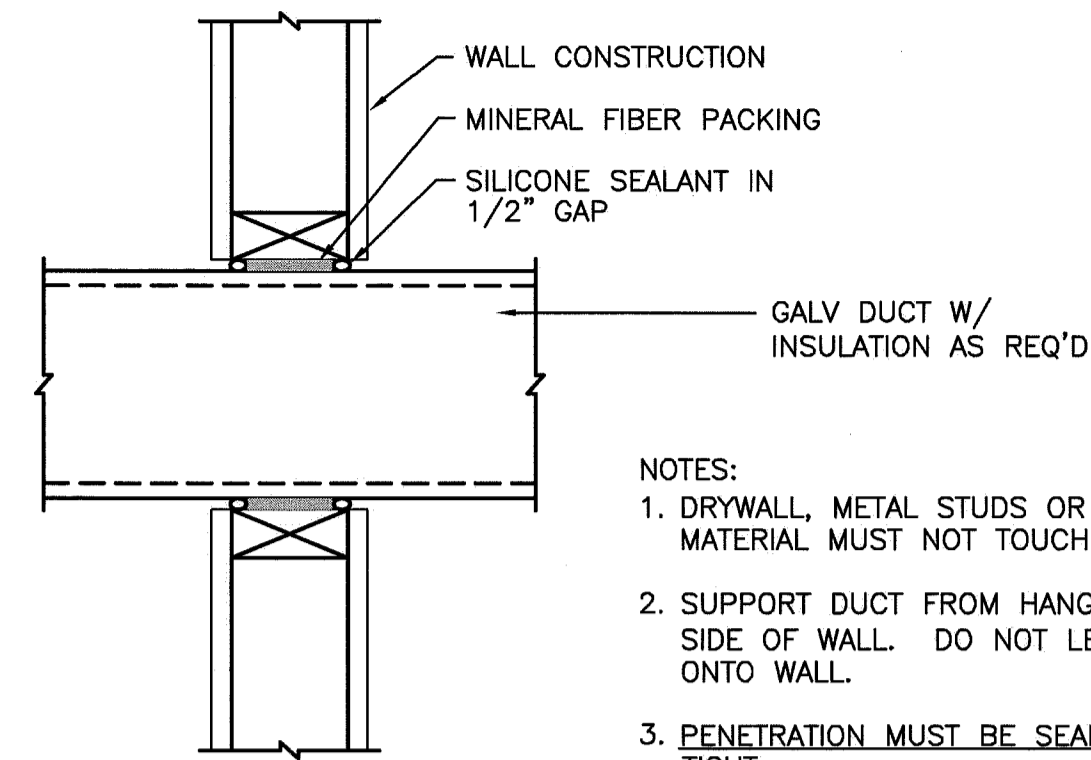
90° TEE WITH OVAL TO ROUND TAP      45° LATERAL FITTING



45° LATERAL TAP      45° LATERAL SADDLE TAP

**A1 TEES AND LATERALS**

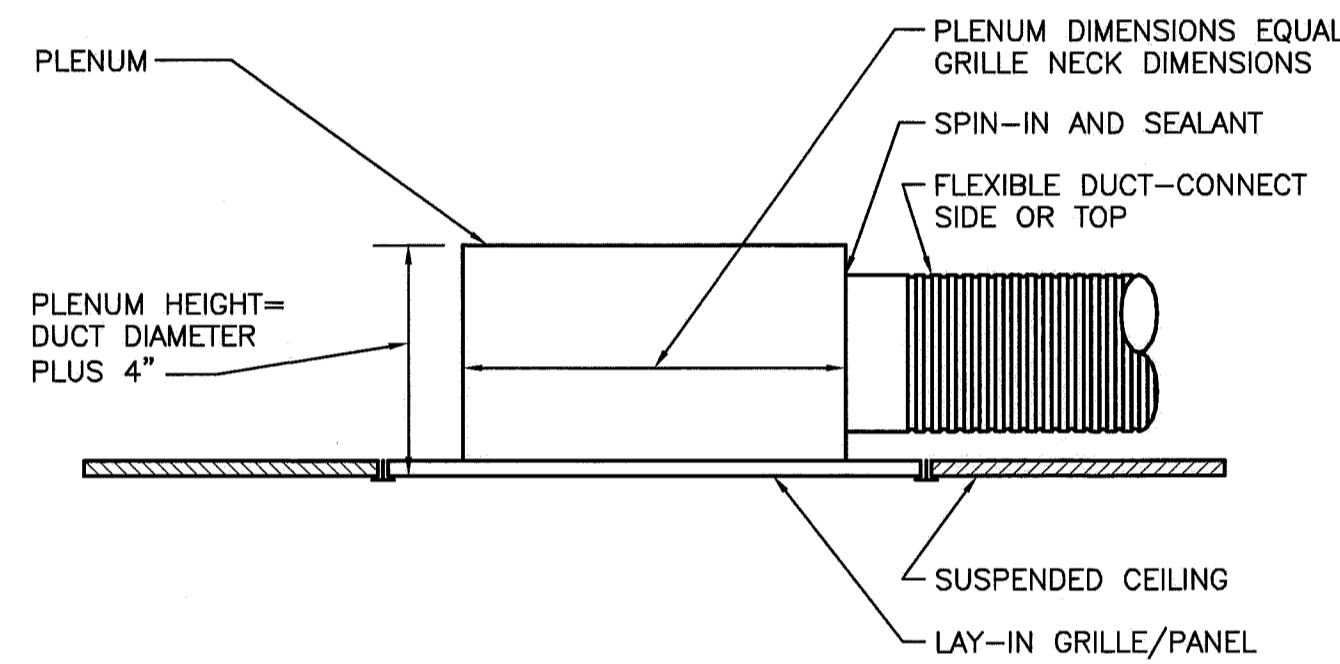
NOT TO SCALE



NOTES:  
1. DRYWALL, METAL STUDS OR ANY OTHER RIGID MATERIAL MUST NOT TOUCH DUCT.  
2. SUPPORT DUCT FROM HANGERS ON EITHER SIDE OF WALL. DO NOT LET DUCT "LOAD" ONTO WALL.  
3. PENETRATION MUST BE SEALED 100% AIR TIGHT.  
4. USE FIRE SEALANT AT FIRE WALLS.

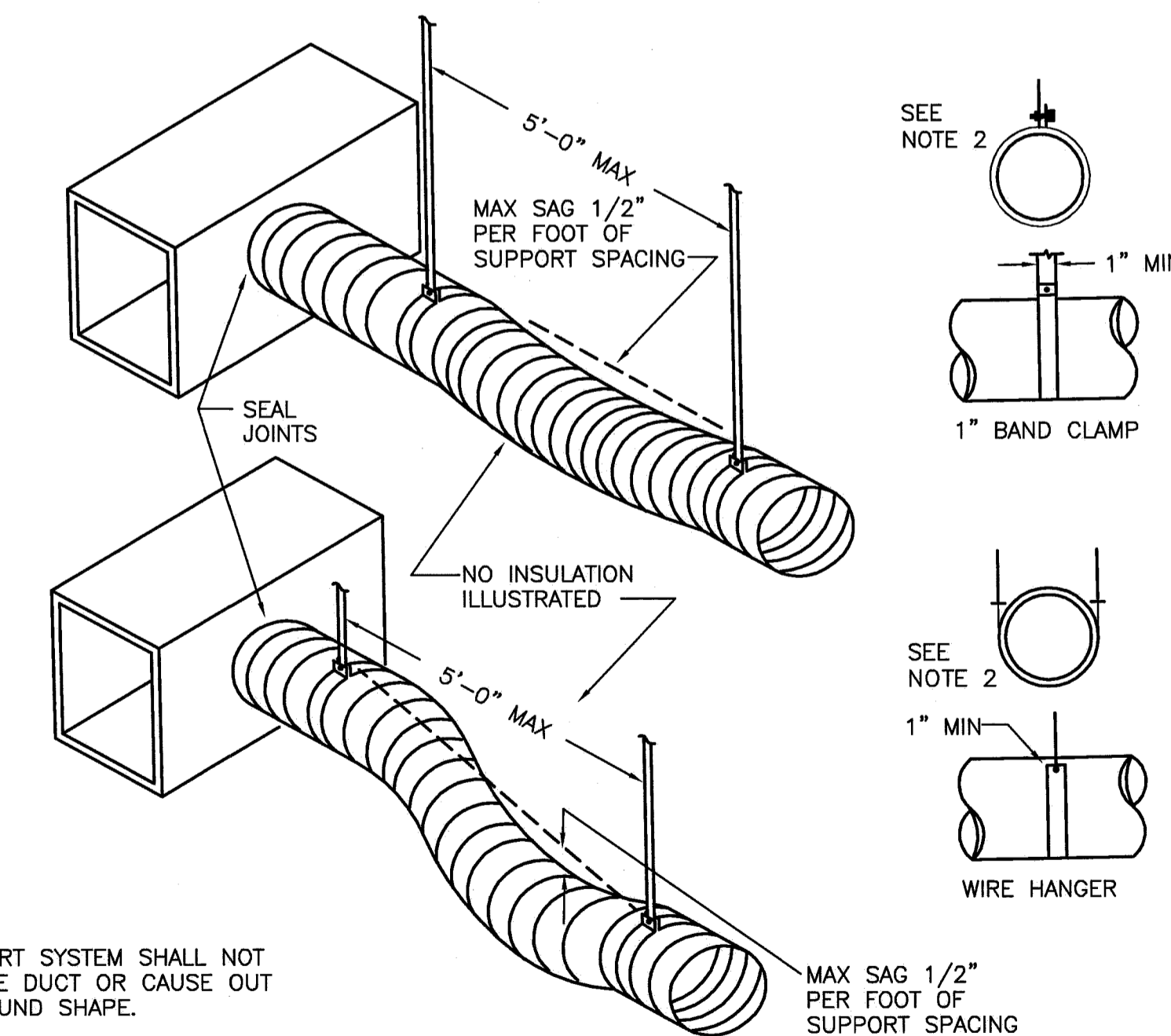
**K5 METAL DUCT WALL PENETRATION**

NOT TO SCALE



**F5 TYP. RETURN & TRANSFER GRILLE PLENUM**

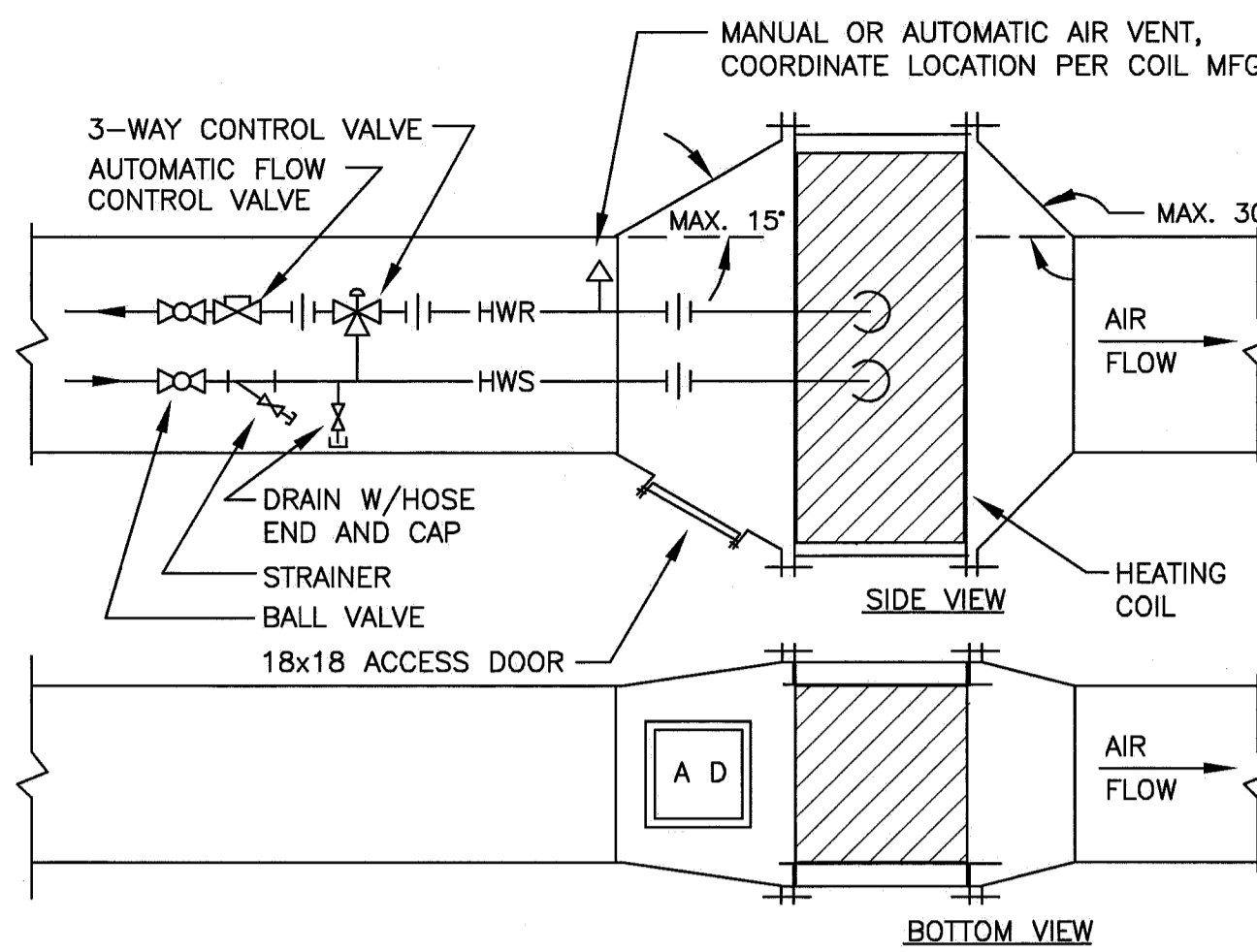
NOT TO SCALE



NOTES:  
1. SUPPORT SYSTEM SHALL NOT DAMAGE DUCT OR CAUSE OUT OF ROUND SHAPE.  
2. DUCTS ARE FLEXIBLE WITH EXTERNAL INSULATION AND VAPOR BARRIER JACKETING.  
3. INSTALL FLEX DUCT STRAIGHT.

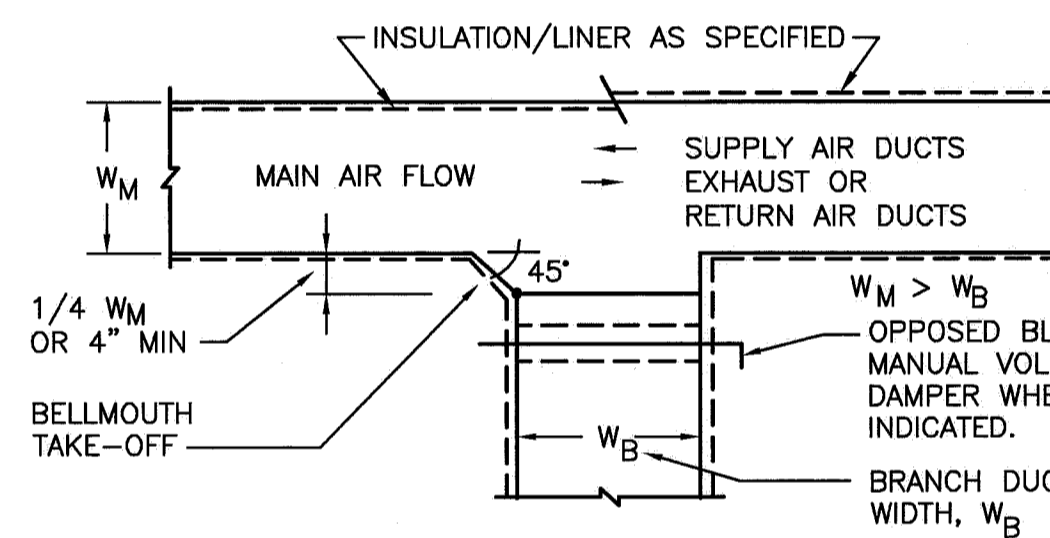
**A5 STRAIGHT SECTION FLEXIBLE DUCT SUPPORT REQUIREMENTS**

NOT TO SCALE



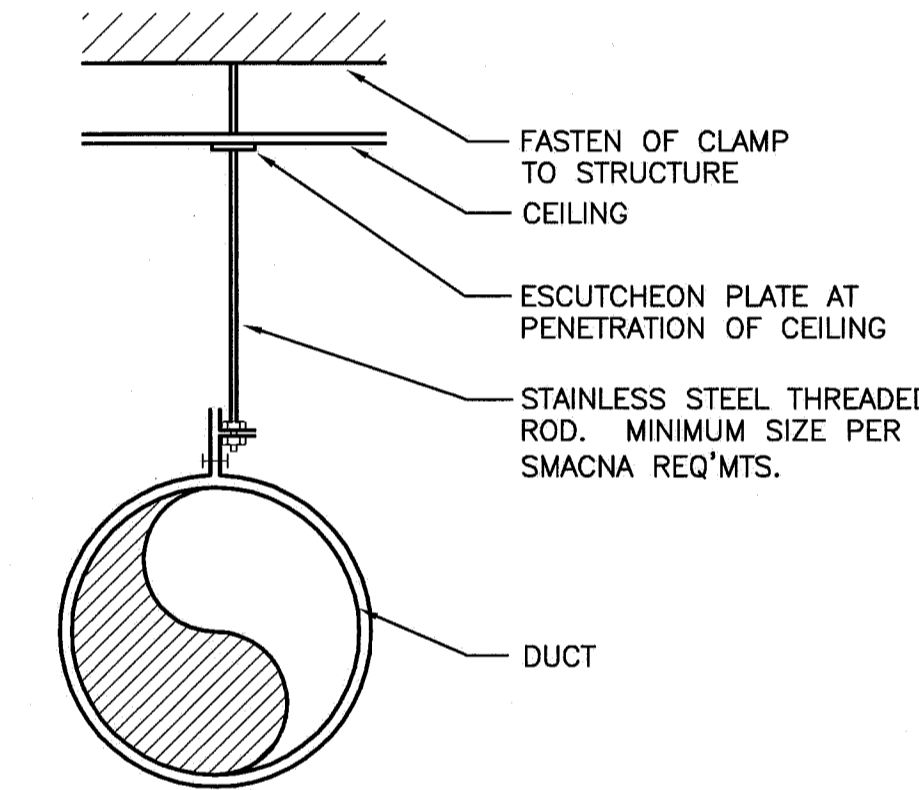
**K9 DUCT HEATING COIL PIPING SCHEMATIC**

NOT TO SCALE



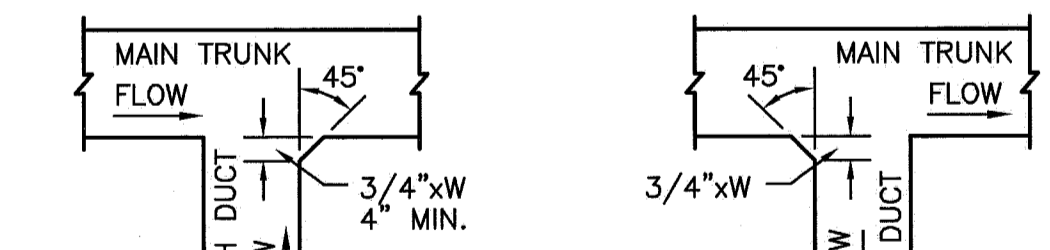
**E9 RECTANGULAR DUCT MAIN AND BRANCH TAKE OFFS**

NOT TO SCALE

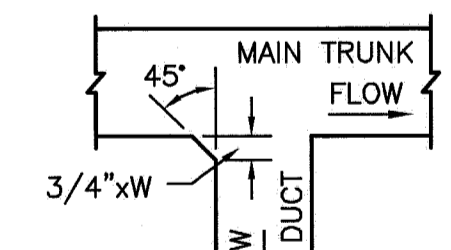


**E12 DUCT HANGER**

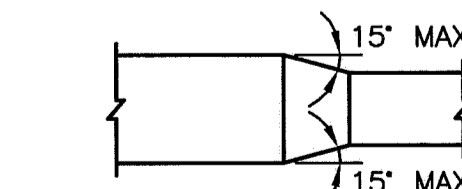
NOT TO SCALE



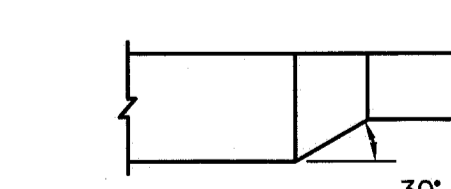
CONVERGING TEE



DIVERGING TEE



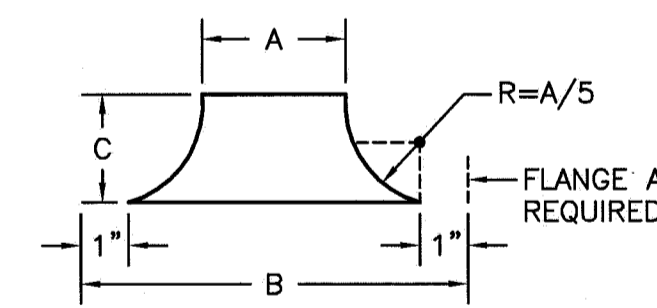
CONCENTRIC TRANSITION



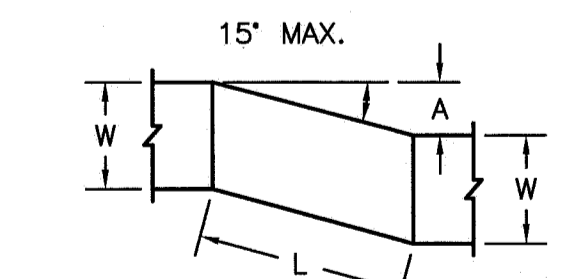
ECCENTRIC TRANSITION

**A9 DUCT TRANSITIONS**

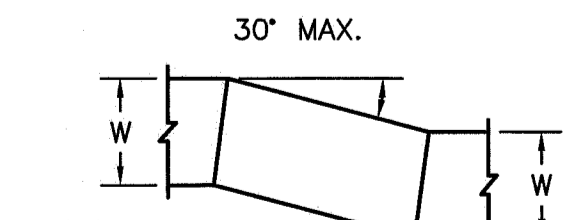
NOT TO SCALE



BELMOUTH CONNECTION



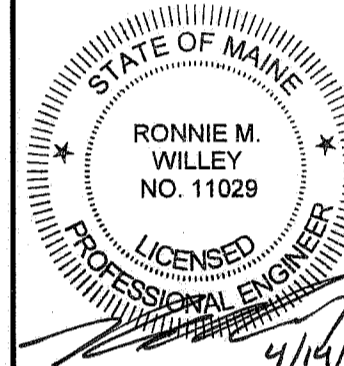
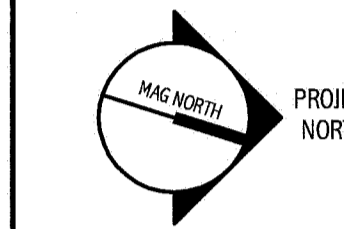
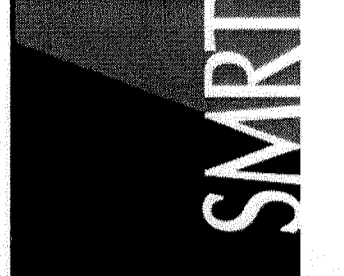
ANGLED OFFSET



MITTERED OFFSET

144 Fore Street/P.O. Box 618  
Portland, Maine 04104  
tel. (207) 772-8846  
fax. (207) 772-1070  
www.smrinc.com

ARCHITECTURE  
ENGINEERING  
PLANNING  
INTERIOR DESIGN  
COMMISSIONING



UNIVERSITY OF SOUTHERN MAINE  
SIMULATION LABORATORY  
PORTLAND, MAINE  
ISSUED FOR BIDDING & CONSTRUCTION  
4-15-11  
CURRENT ISSUE STATUS:

REV	DESCRIPTION	DATE
0	ISSUED FOR BIDDING, PERMITS & CONSTRUCTION	4-15-11

GRAPHIC SCALE:  
0" = 1"

SCALE: NOT TO SCALE  
PROJECT MANAGER: SLB  
JC/DRAWN BY: BAL  
A/E OF RECORD: RMW  
CAD FILE: M-501-10150  
PROJECT NO: 10150-00  
DATE: 4-15-11  
SHEET TITLE:

DETAILS

SHEET No.  
**M-501**  
© COPYRIGHT 2009 SMRT INC.