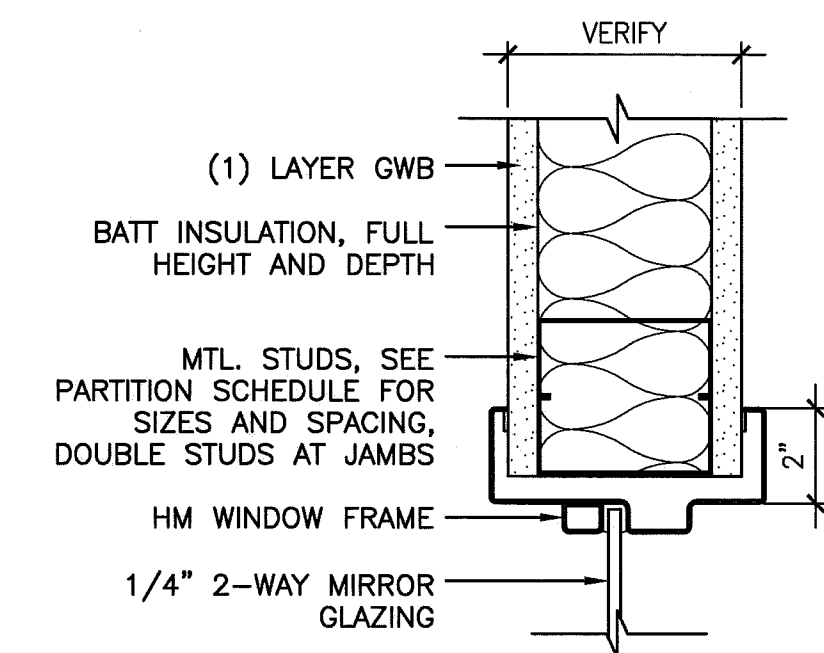
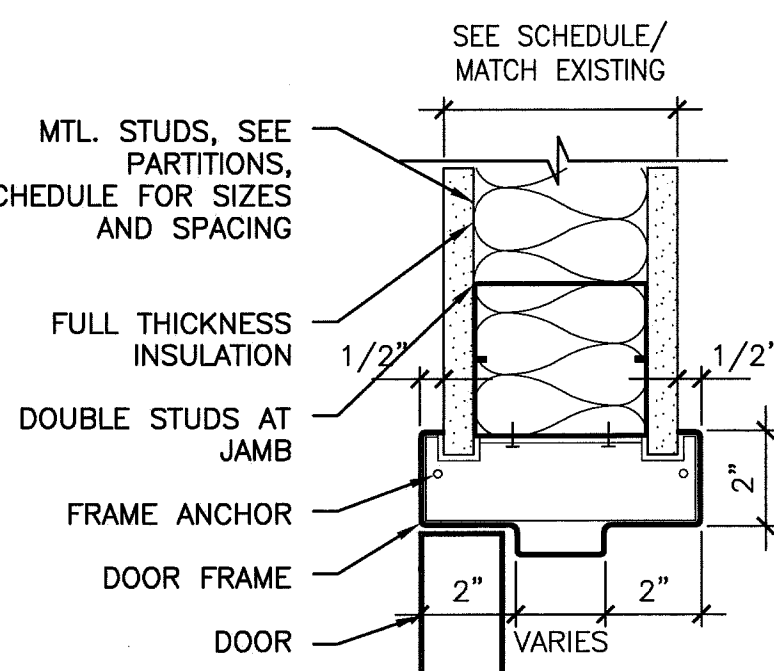


L1 HEAD DETAIL

L3 HEAD DETAIL

3"=1'-0"

3"=1'-0"

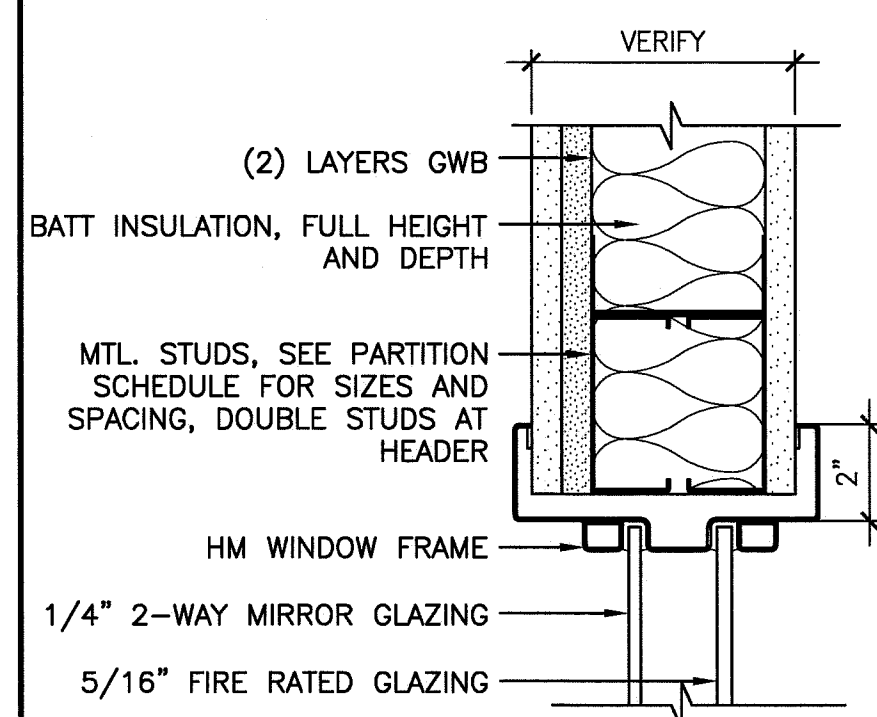


G1 JAMB DETAIL

G3 JAMB DETAIL

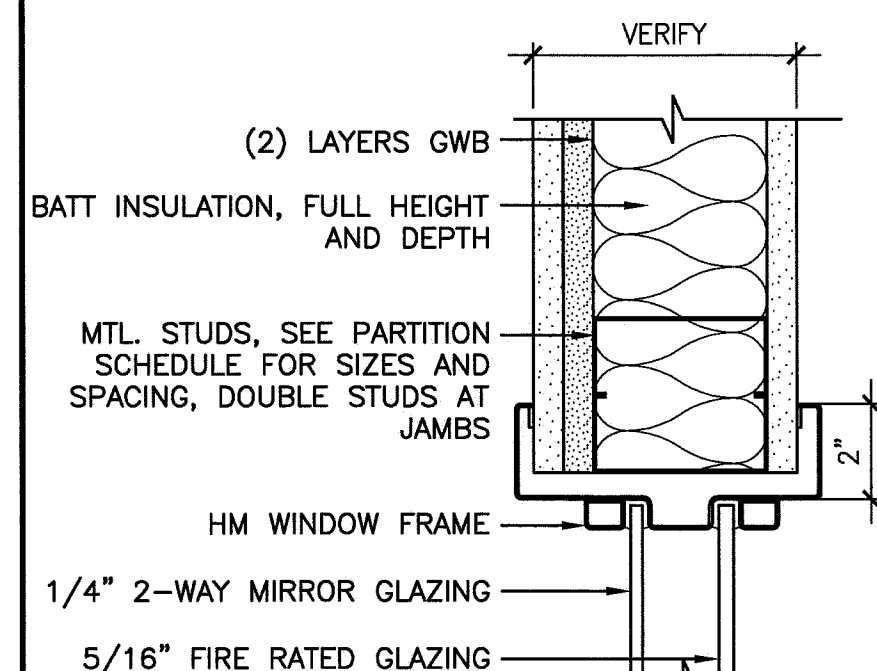
3"=1'-0"

3"=1'-0"



E3 HEAD DETAIL

3"=1'-0"

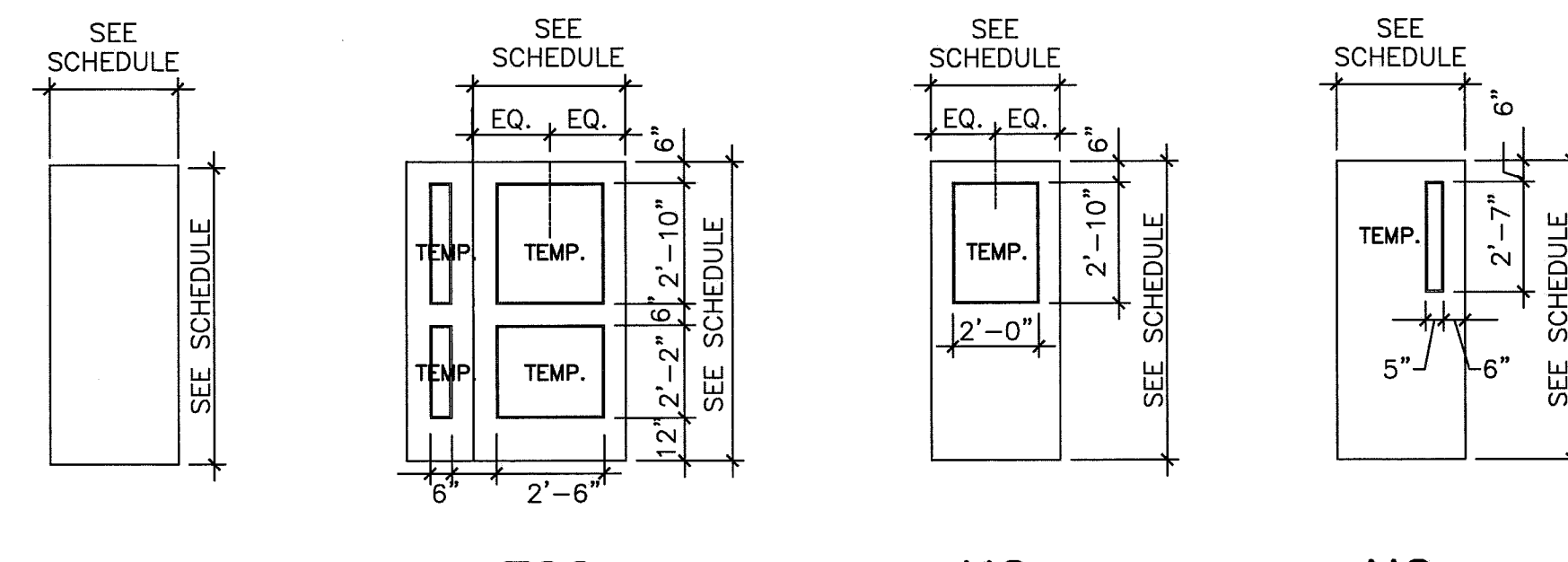


A3 JAMB DETAIL

3"=1'-0"

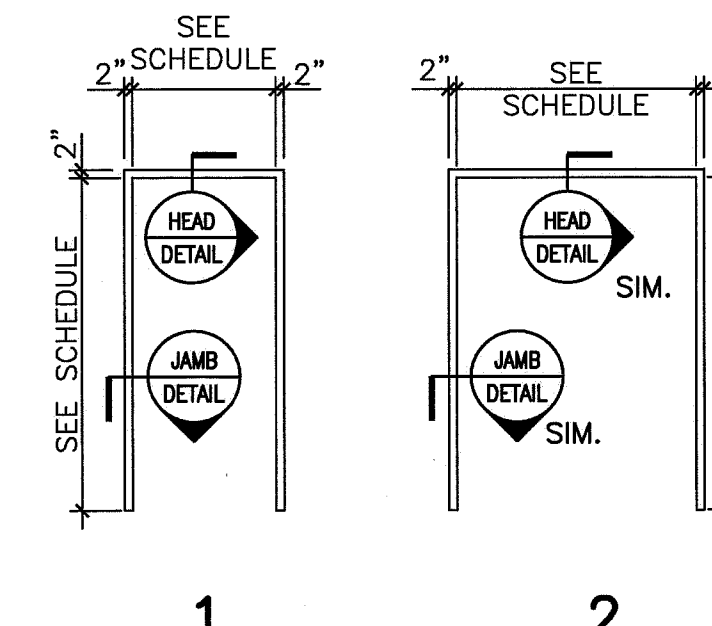
DOOR SCHEDULE												
DOOR NUMBER	ROOM NAME	DOOR			GLAZING	FRAME				FIRE RATING (MIN.)	DOOR NUMBER	NOTES
		SIZE	MATERIAL	ELEVATION		MATERIAL	ELEVATION	HEAD	JAMB			
140	SIMULATION ROOM	4'-0"-7'-0"x1-3/4"	WD	F		HM	1	L1/AE602	G1/AE602		140	
141	CONTROL ROOM	3'-0"-7'-0"x1-3/4"	WD	F		HM	1	L1/AE602	G1/AE602		141	
142	UTILITY CLOSET	3'-0"-7'-0"x1-3/4"	WD	F		HM	1	L1/AE602	G1/AE602	45	142	
143	SIMULATION ROOM	4'-0"-7'-0"x1-3/4"	WD	F		HM	1	L1/AE602	G1/AE602		143	
144	LAB MANAGER	3'-0"-7'-0"x1-3/4"	WD	HG	TEMP	HM	1	L1/AE602	G1/AE602		144	
146	STORAGE	(2) 2'-3"-7'-0"x1-3/4"	WD	F		HM	1	L1/AE602	G1/AE602		146	
147	MEDS	3'-0"-7'-0"x1-3/4"	WD	HG	TEMP	HM	1	L1/AE602	G1/AE602		147	
148	CLEAN SUPPLY	3'-0"-7'-0"x1-3/4"	WD	NG	TEMP	HM	1	L1/AE602	G1/AE602		148	
149	STORAGE	4'-0"-7'-0"x1-3/4"	WD	F		HM	1	L1/AE602	G1/AE602		149	
150	ELEC./IT/AV CLOSET	3'-0"-7'-0"x1-3/4"	WD	F		HM	-	L1/AE602	G1/AE602	20	150	
151	SIMULATION ROOM	4'-0"-7'-0"x1-3/4"	WD	F		HM	1	L1/AE602	G1/AE602		151	
152	CONTROL ROOM	3'-0"-7'-0"x1-3/4"	WD	F		HM	1	L1/AE602	G1/AE602		152	
153	SIMULATION ROOM	4'-0"-7'-0"x1-3/4"	WD	F		HM	1	L1/AE602	G1/AE602		153	
154	ENTRY	1'-6",3'-6"-7'-0"x1-3/4"	WD	FG2	TEMP ②	HM	2	L1/AE602	G1/AE602	20	154	
156	CORRIDOR	3'-0"-7'-0"x1-3/4"	WD	NG	TEMP ②	HM	1	L1/AE602	G1/AE602	20	156	
303	DEBRIEFING	EXISTING	EXIST	EXIST		EXIST	-	-	-		303	
303A	STORAGE	(REL)3'-0"-7'-0"x1-3/4"	(E)WD	(E)F		(E)HM	-	L1/AE602	G1/AE602		303A	①
305	FUNDAMENTALS LAB	4'-0"-7'-0"x1-3/4"	WD	NG	TEMP ③	HM	1	L1/AE602	G1/AE602	20	305	
305A	STORAGE	4'-0"-7'-0"x1-3/4"	WD	F		HM	1	L1/AE602	G1/AE602	45	305A	

- ① RELOCATED EXISTING DOOR, FRAME AND HARDWARE.
- ② GLAZING TO BE DAG-1. DECORATIVE ARCHITECTURAL GLASS. SKYLINE DESIGN, GLASS ORGANICS, BRAMBLES, 1/4" THICKNESS, TEMPERED, ECO-ETCH PATTERN ONE SIDE, 20 MIN. FIRE RATED, FIRGLASS20.
- ③ 20 MINUTE FIRE RATED GLAZING. CLEAR, NO PATTERN.



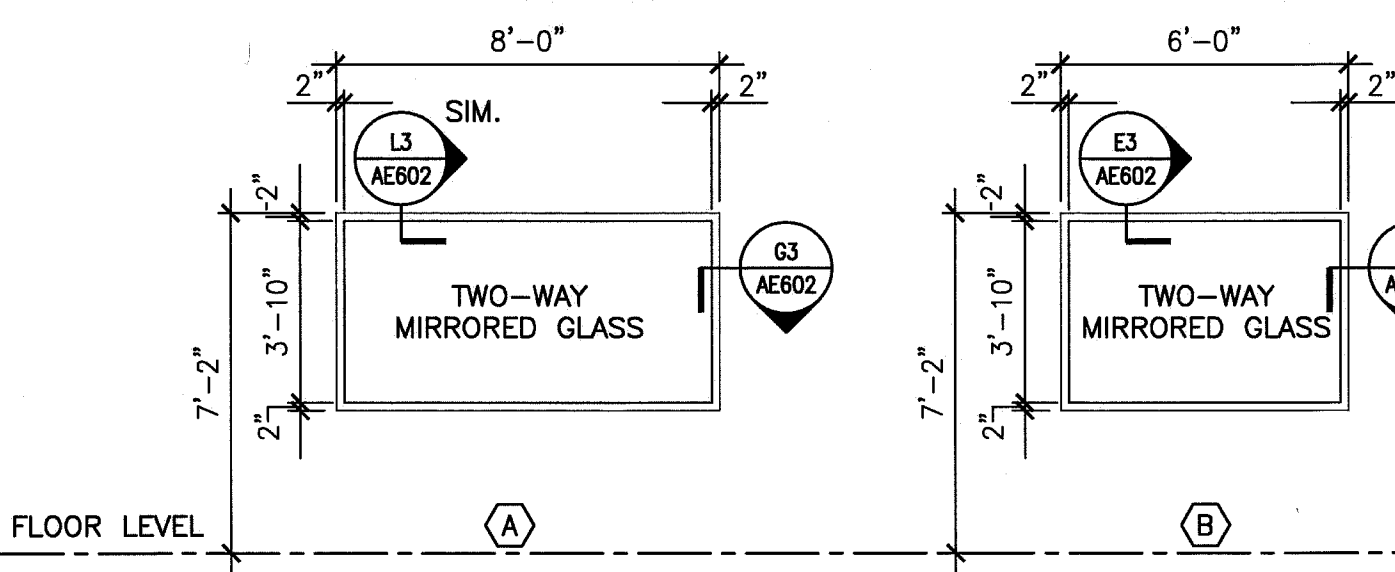
A6 DOOR ELEVATIONS

1/4"=1'-0"



A10 FRAME ELEVATIONS

1/4"=1'-0"



A12 WINDOW TYPES

1/4"=1'-0"

GENERAL DOOR NOTES

- SEE SPECIFICATIONS FOR HARDWARE SET DESCRIPTIONS.
- SEE TITLE SHEET G001 FOR STANDARD ABBREVIATIONS.
- ALL SWINGING DOORS TO BE 1-3/4" THICK (U.N.O.).
- ALL DOORS SHALL BE 3/4" UNDERCUT (TYPICAL) EXCEPT WHEN THERE IS A BOTTOM FRAME OR SILL THRESHOLD OR SPECIFICALLY NOTED OTHERWISE.
- ALL DOORS WITH BOTTOM FRAMES OR SILL THRESHOLDS SHALL HAVE MANUFACTURERS RECOMMENDED STANDARD UNDERCUT.
- GLAZING NOTED ON DOOR SCHEDULE IS FOR THE DOOR AND SIDELIGHTS IN THE FRAME (TYPICAL).
- REFER TO FLOOR PLAN FOR NOTES ON EXISTING DOORS.

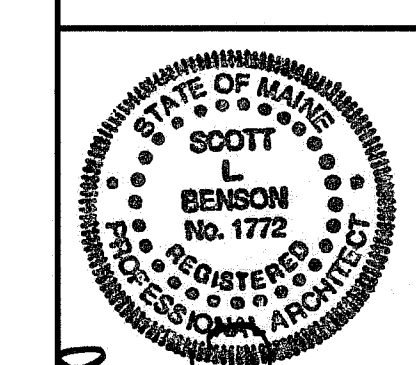
DOOR ABBREVIATIONS

AL/ALUM	ALUMINUM	S/S	STAINLESS STEEL
HM	HOLLOW METAL	STL	STEEL
LAM	LAMINATED	TEMP	TEMPERED GLASS
INS	INSULATED	WIRE	WIRE GLASS
WD	WOOD	REL	RELOCATE(D)

144 Fore Street/P.O. Box 610
Portland, Maine 04104
Tel: (207) 772-3846
Fax: (207) 772-1070
www.smtinc.com

ARCHITECTURE
ENGINEERING
PLANNING
INTERIOR DESIGN
COMMISSIONING

SMART



UNIVERSITY OF SOUTHERN MAINE
SIMULATION LABORATORY
PORTLAND, MAINE

ISSUED FOR BIDDING & CONSTRUCTION
4-15-11

CURRENT ISSUE STATUS:

GRAPHIC SCALE: 0" = 1"

SCALE: AS NOTED

PROJECT MANAGER: SLB

JC/DRAWN BY: CAH

A/E OF RECORD: SLB

CAD FILE: AE602-10150

PROJECT NO: 10150-00

DATE: 4-15-11

SHEET TITLE: DOOR SCHEDULE AND DETAILS

SHEET No. AE602

© COPYRIGHT 2009 SMART INC.