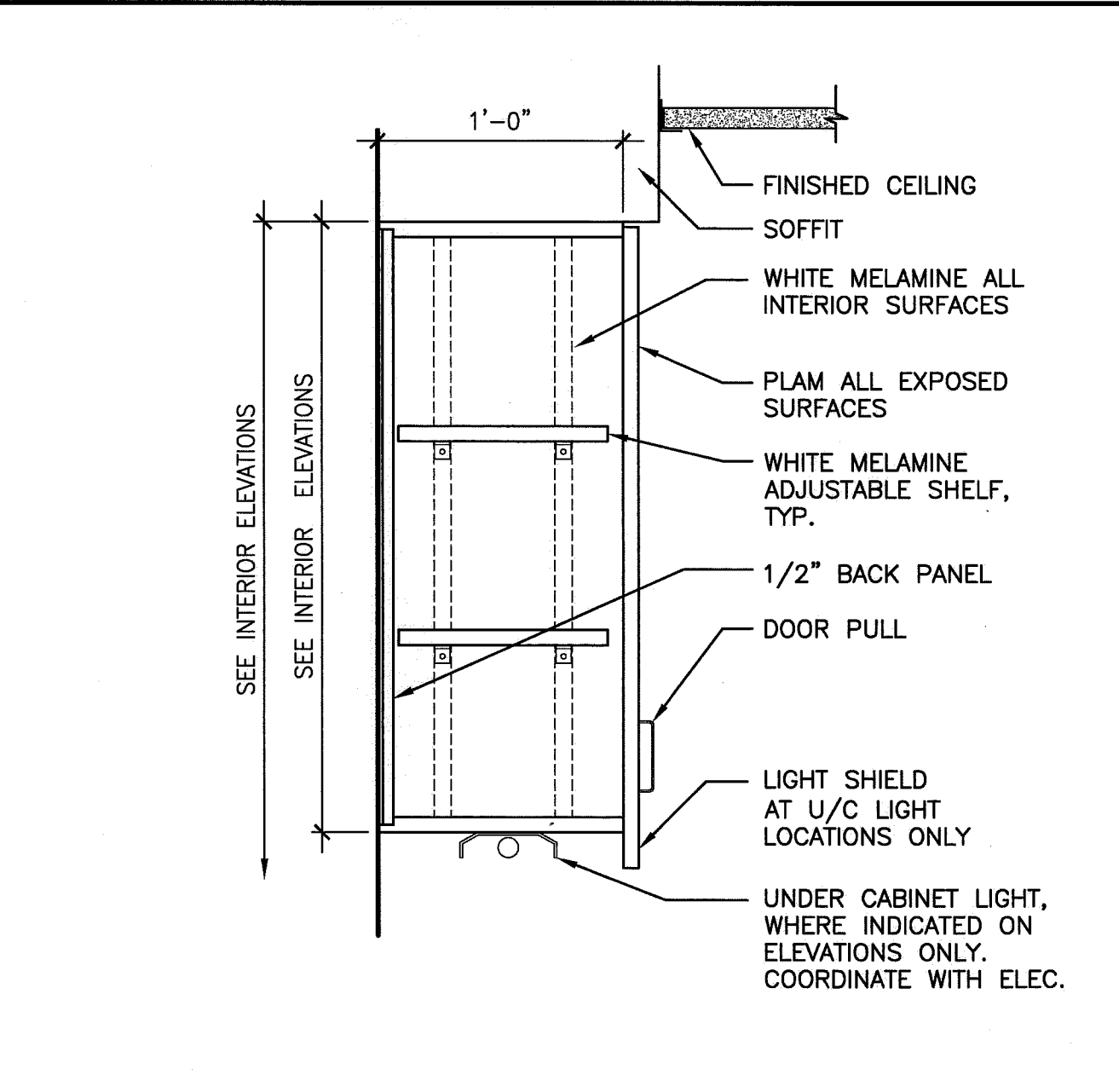
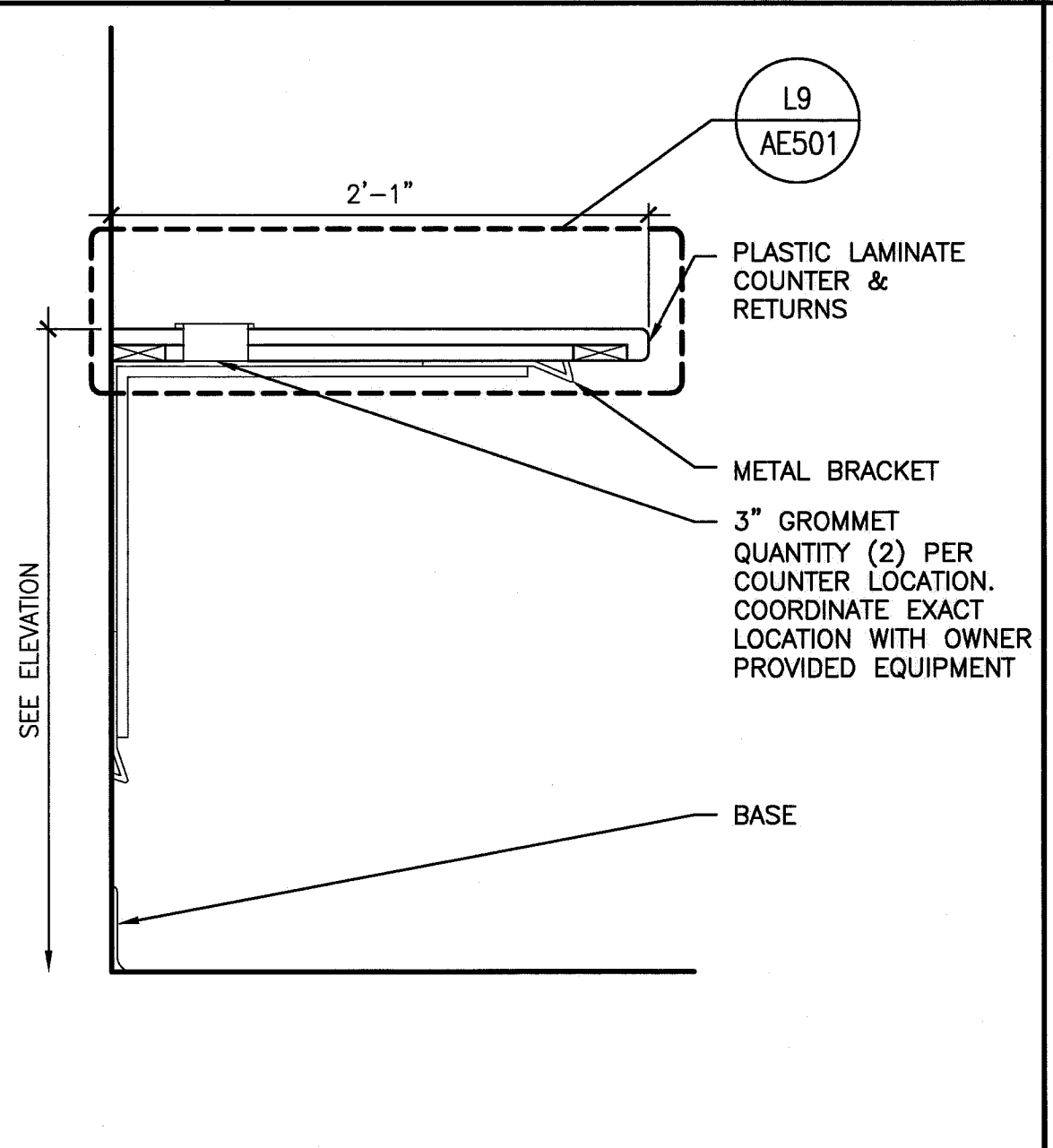


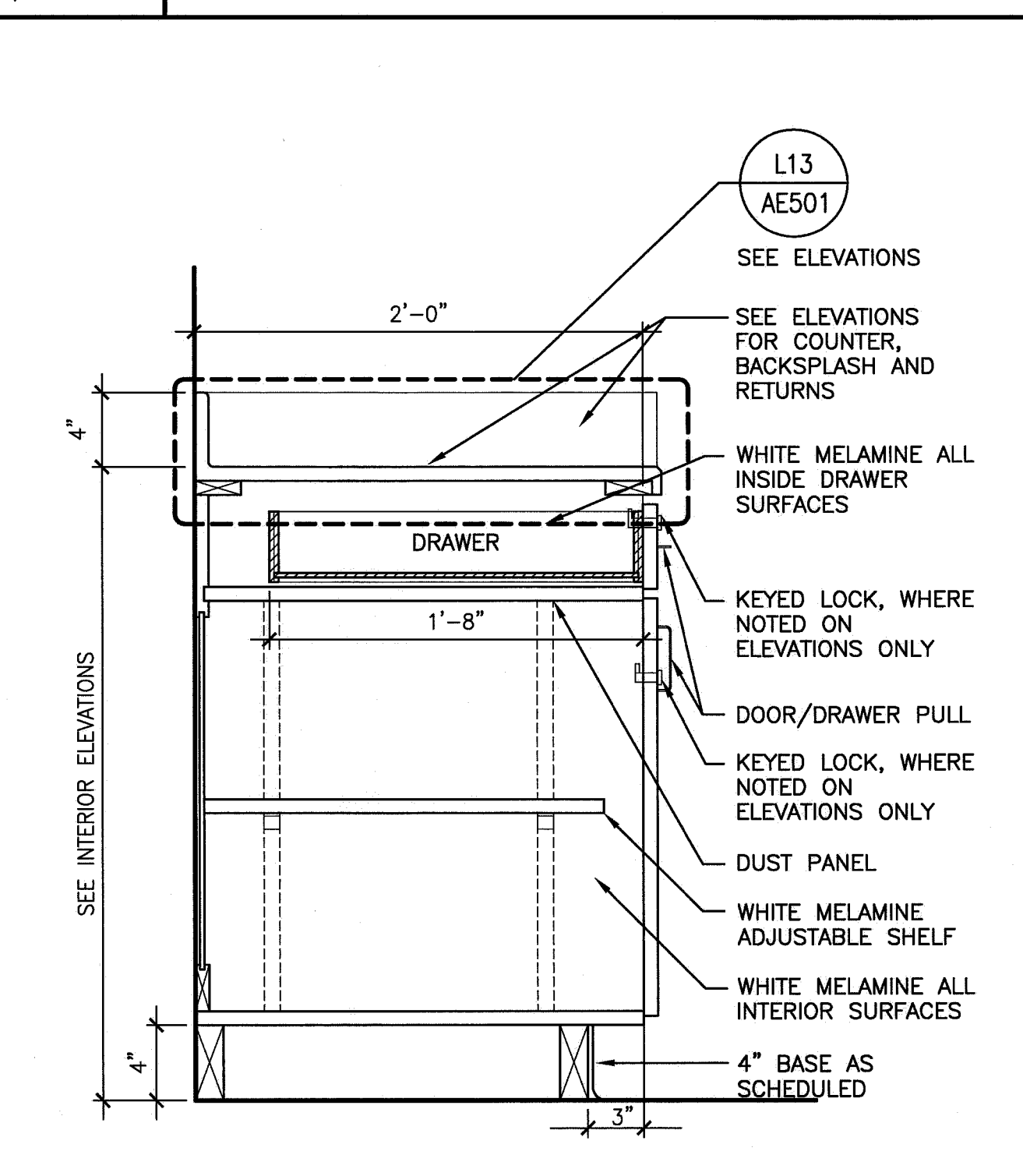
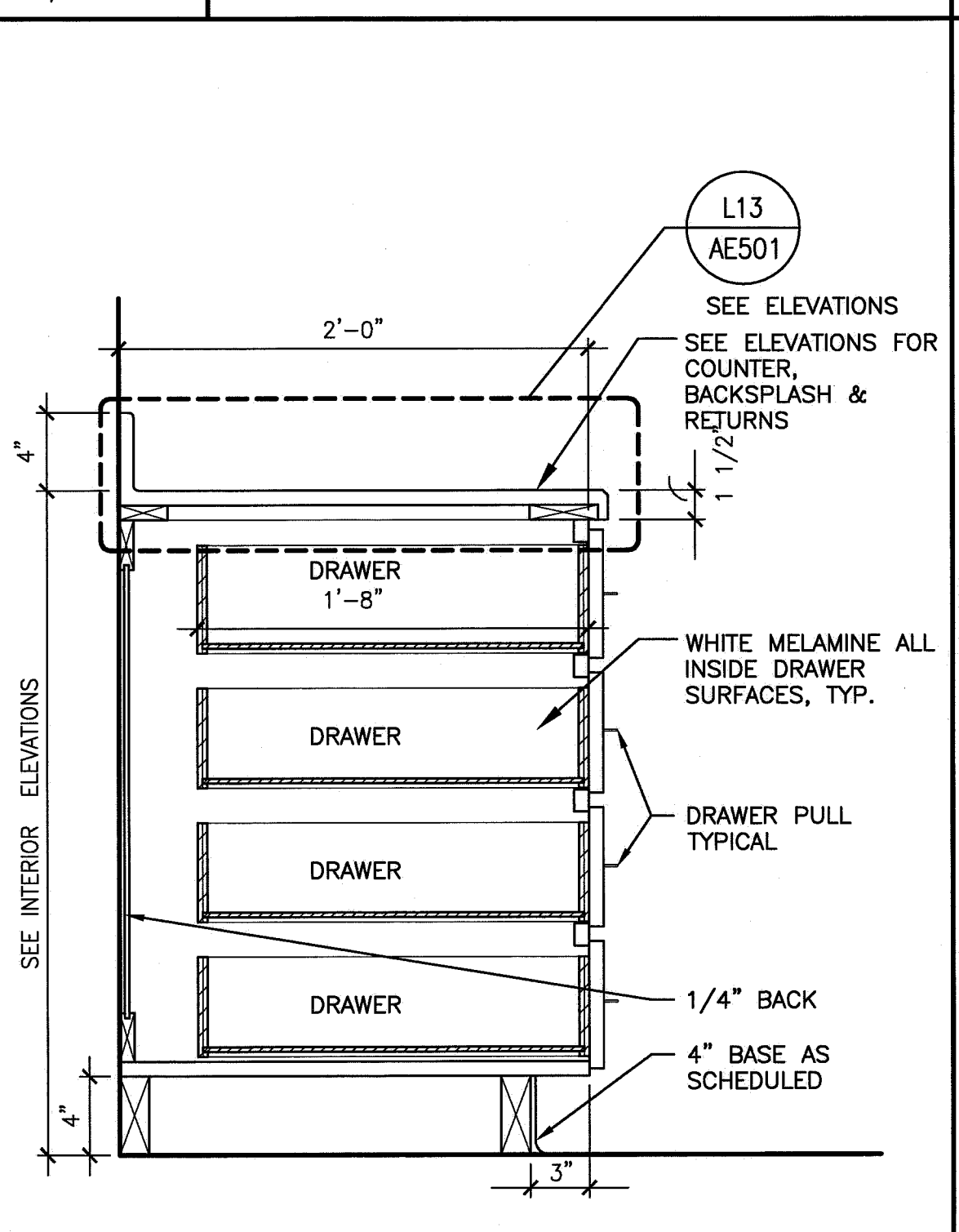
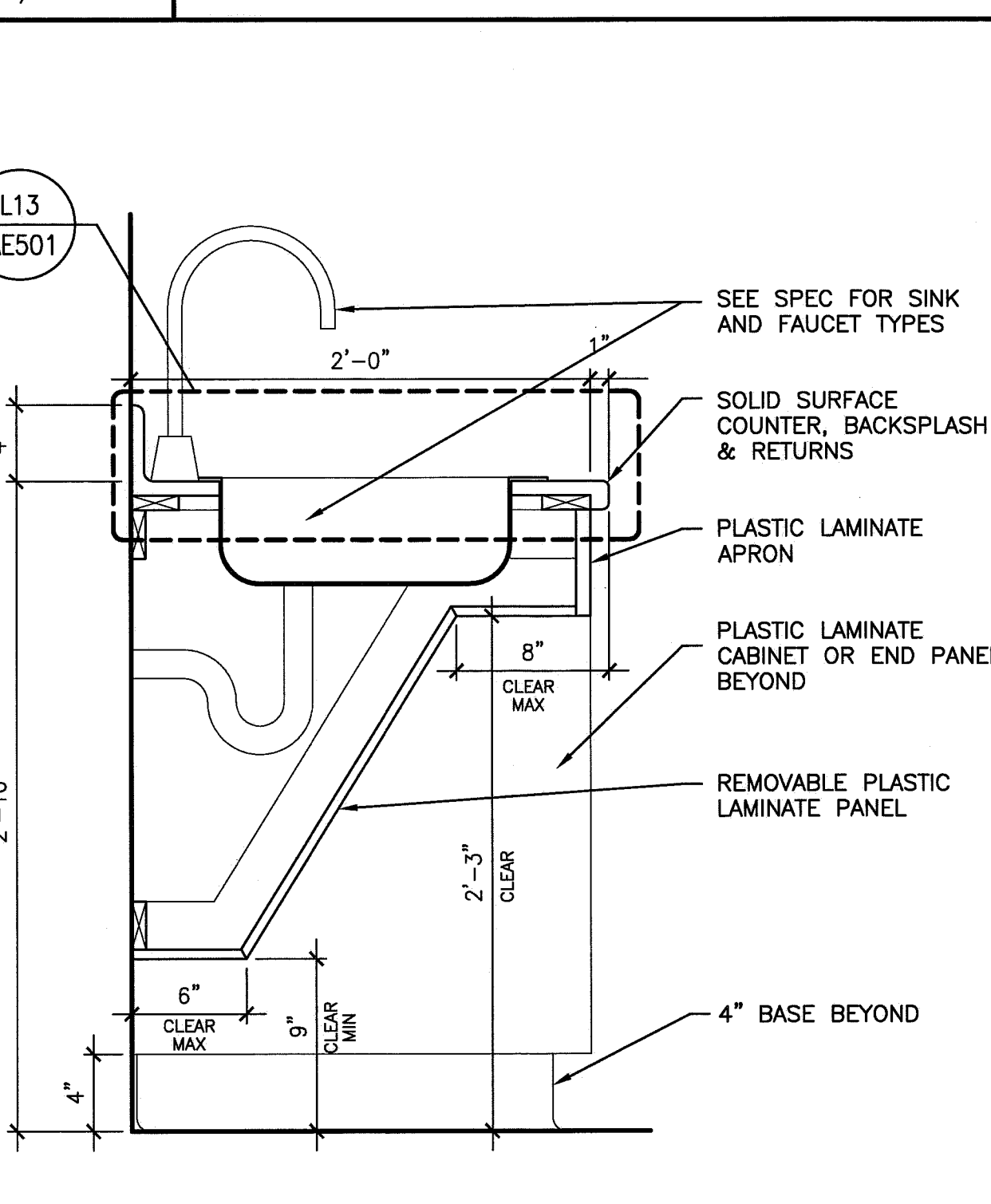
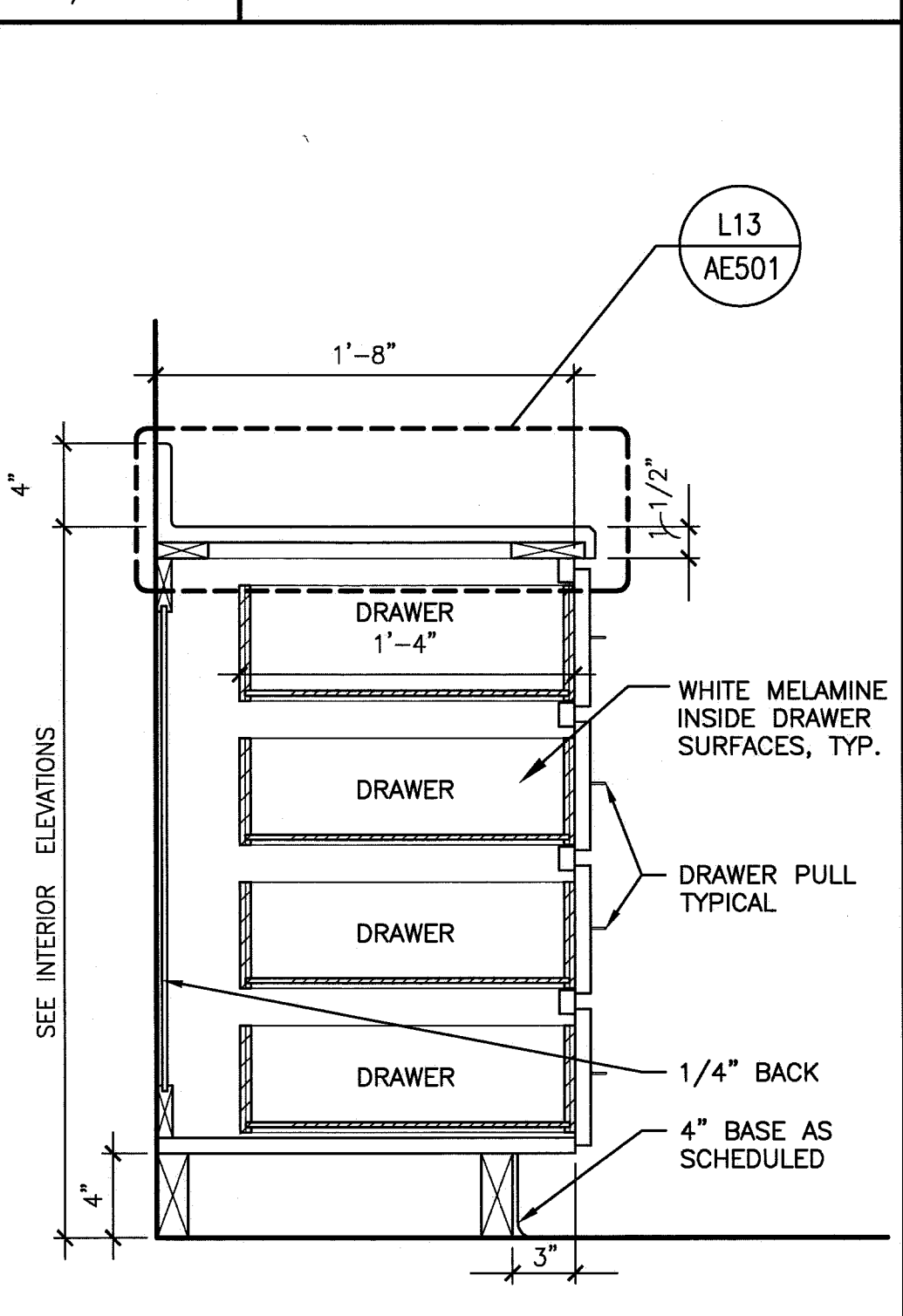
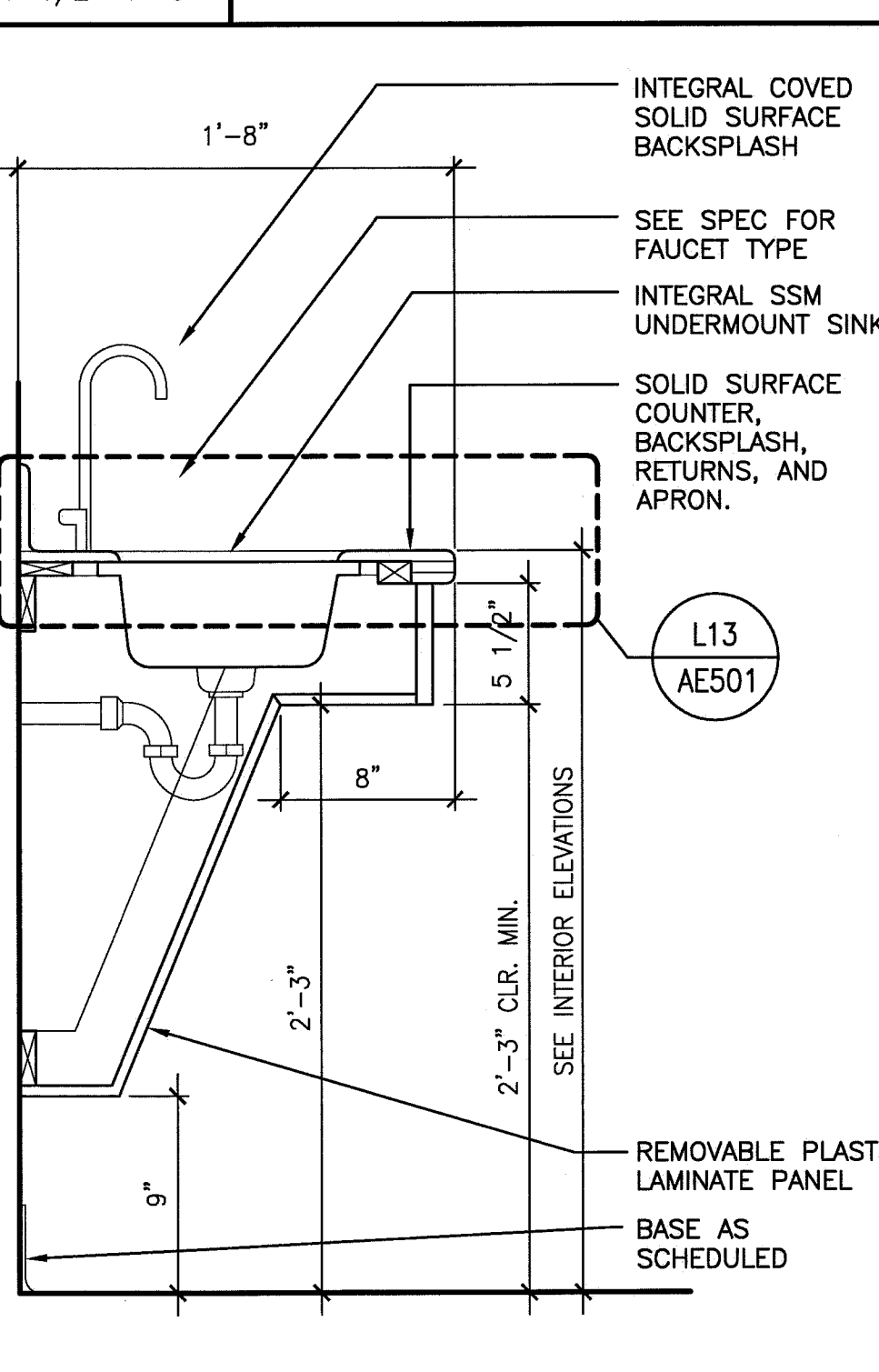
L9 EDGE DETAIL
3"=1'-0"

L13 EDGE DETAIL
3"=1'-0"



F9 CASEWORK SECTION
1-1/2"=1'-0"

F13 CASEWORK SECTION
1-1/2"=1'-0"



A9 CASEWORK SECTION
1-1/2"=1'-0"

A13 CASEWORK SECTION
1-1/2"=1'-0"

A1 CASEWORK SECTION
1-1/2"=1'-0"

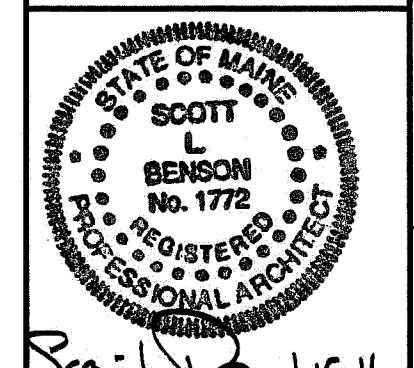
A4 CASEWORK SECTION
1-1/2"=1'-0"

A6 CASEWORK SECTION
1-1/2"=1'-0"

144 Fore Street/P.O. Box 618
Portland, Maine 04104
Tel: (207) 772-3846
Fax: (207) 772-1070
www.smriinc.com

ARCHITECTURE
ENGINEERING
PLANNING
INTERIOR DESIGN
COMMISSIONING

SMRI



UNIVERSITY OF SOUTHERN MAINE
SIMULATION LABORATORY
PORTLAND, MAINE

ISSUED FOR BIDDING & CONSTRUCTION
4-15-11

CURRENT ISSUE STATUS:

NO.	ISSUED FOR BIDDING & CONSTRUCTION	DATE
0	ISSUED FOR BIDDING & CONSTRUCTION	4-15-11

GRAPHIC SCALE:
0" = 1"

SCALE: AS NOTED
PROJECT MANAGER: SLB
JC/DRAWN BY: CAH
A/E OF RECORD: SLB
CAD FILE: AE501-10150
PROJECT NO: 10150-00
DATE: 4-15-11
SHEET TITLE:

DETAILS

SHEET No. AE501
© COPYRIGHT 2009 SMRI INC.