

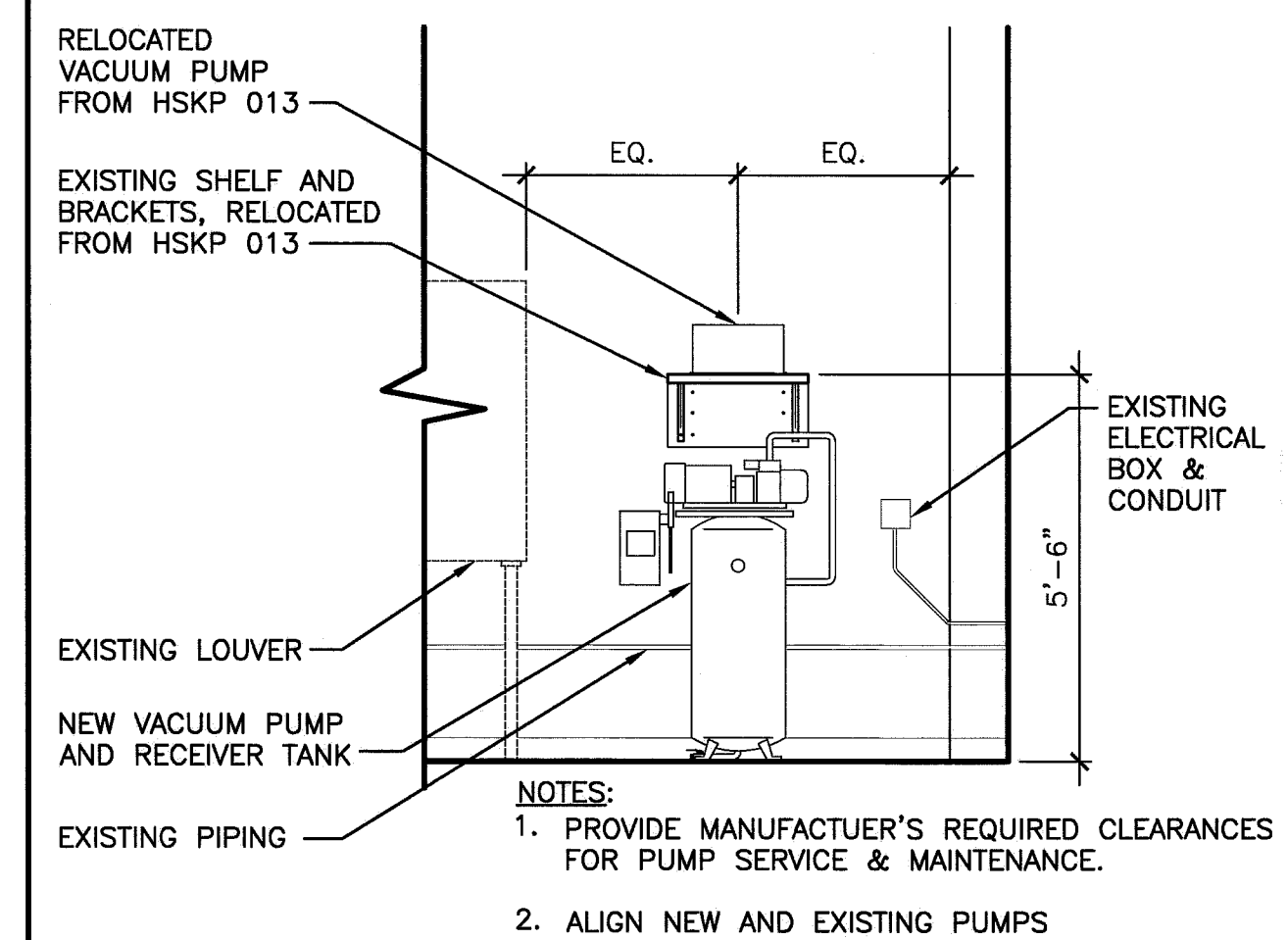
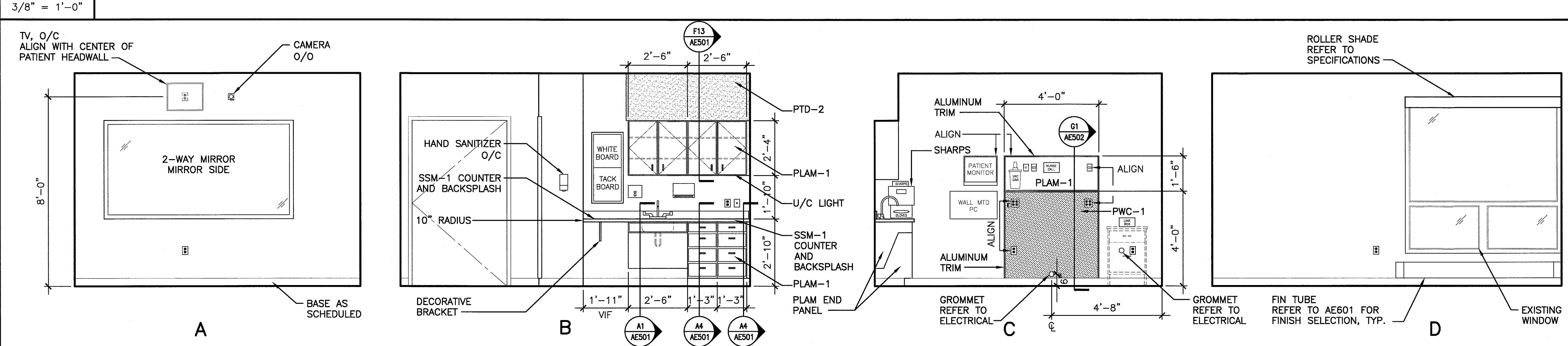
NOTES:
 1. SEE AE601 FOR ROOM FINISH SCHEDULE FOR FINISH ABBREVIATIONS.
 2. REFER TO ELECTRICAL DRAWINGS FOR ELECTRICAL DEVICES NOT SHOWN.
 3. REFER TO AE602 DOOR SCHEDULE FOR DOOR GLAZING TYPES.

144 Fore Street/P.O. Box 618
 Portland, Maine 04104
 tel. (207) 772-9846
 fax. (207) 772-1070
 www.smrfic.com

ARCHITECTURE
 ENGINEERING
 PLANNING
 INTERIOR DESIGN
 COMMISSIONING

SMRFIC

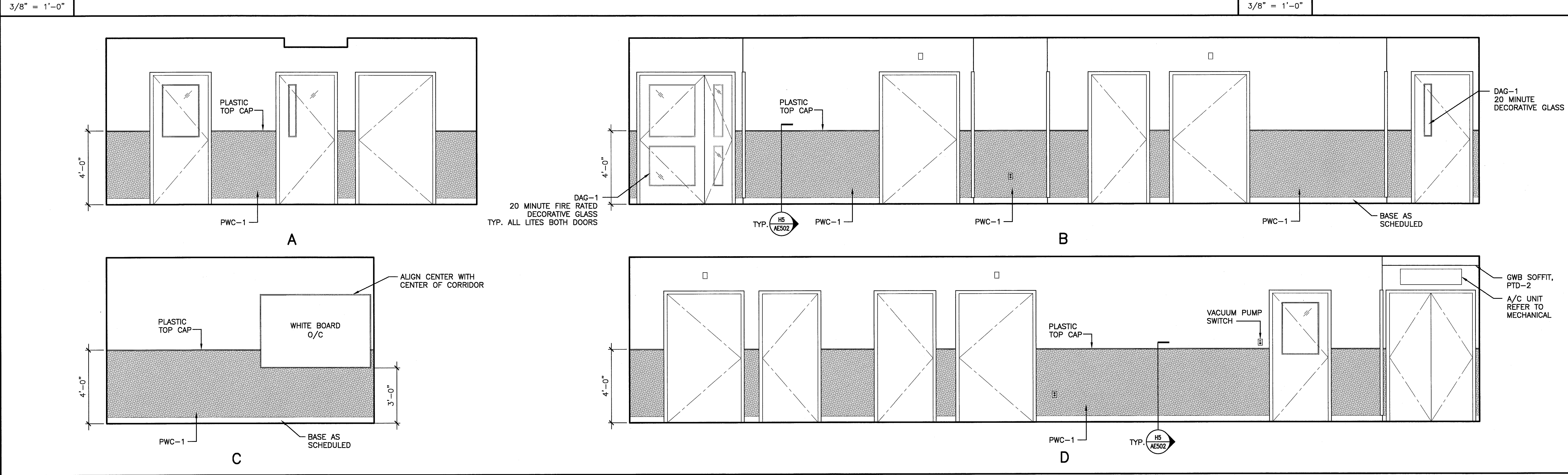
K1 SIMULATION ROOM 143



STATE OF MAINE
 SCOTT
 BENSON
 No. 1772
 REGISTERED PROFESSIONAL ARCHITECT

G1 SIMULATION ROOM 140

G14 PENTHOUSE PH02



A1 CORRIDOR 156

UNIVERSITY OF SOUTHERN MAINE
 SIMULATION LABORATORY
 PORTLAND, MAINE

ISSUED FOR BIDDING & CONSTRUCTION
 4-15-11

CURRENT ISSUE STATUS:
 DATE: 4-15-11
 REV: 0
 DESCRIPTION: ISSUED FOR BIDDING & CONSTRUCTION

GRAPHIC SCALE:
 0" 1"

SCALE: AS NOTED
 PROJECT MANAGER: SLB
 I/C/DRAWN BY: CAH
 A/E OF RECORD: SLB
 CAD FILE: AE212-10150
 PROJECT NO: 10150-00
 DATE: 4-15-11
 SHEET TITLE: INTERIOR ELEVATIONS

SHEET No. **AE212**
 © COPYRIGHT 2009 SMRFIC INC.