

NOTES:

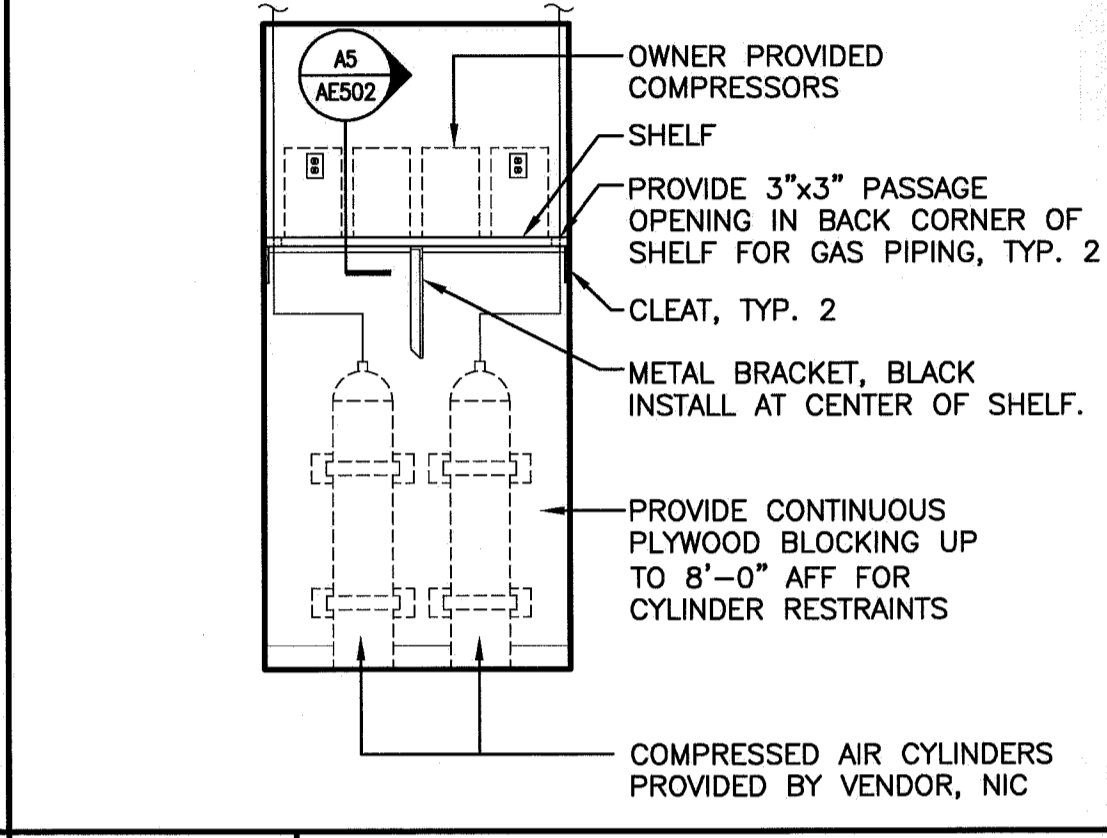
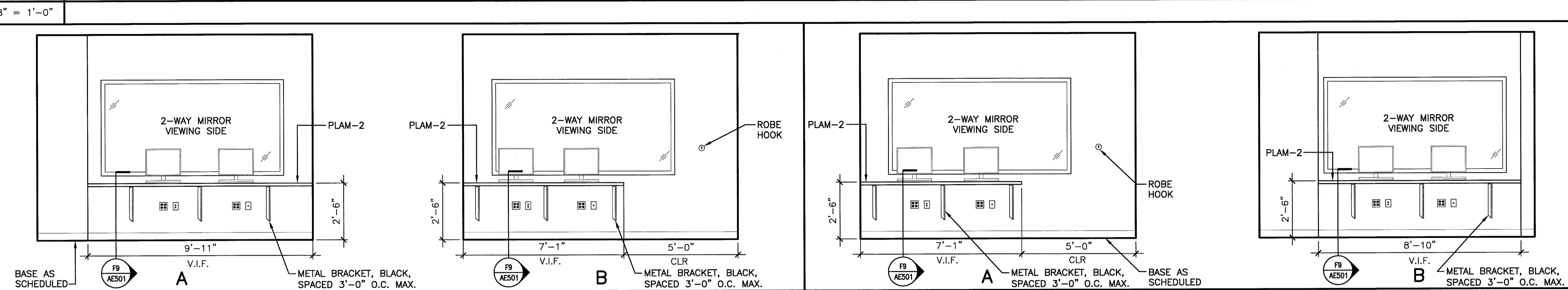
- SEE AE601 FOR ROOM FINISH SCHEDULE FOR FINISH ABBREVIATIONS.
- REFER TO ELECTRICAL DRAWINGS FOR ELECTRICAL DEVICES NOT SHOWN.
- REFER TO AE602 DOOR SCHEDULE FOR DOOR GLAZING TYPES.

144 Fore Street/P.O. Box 618
 Portland, Maine 04104
 tel. (207) 772-3846
 fax. (207) 772-1070
 www.smriinc.com

ARCHITECTURE
 ENGINEERING
 PLANNING
 INTERIOR DESIGN
 COMMISSIONING

SMRI

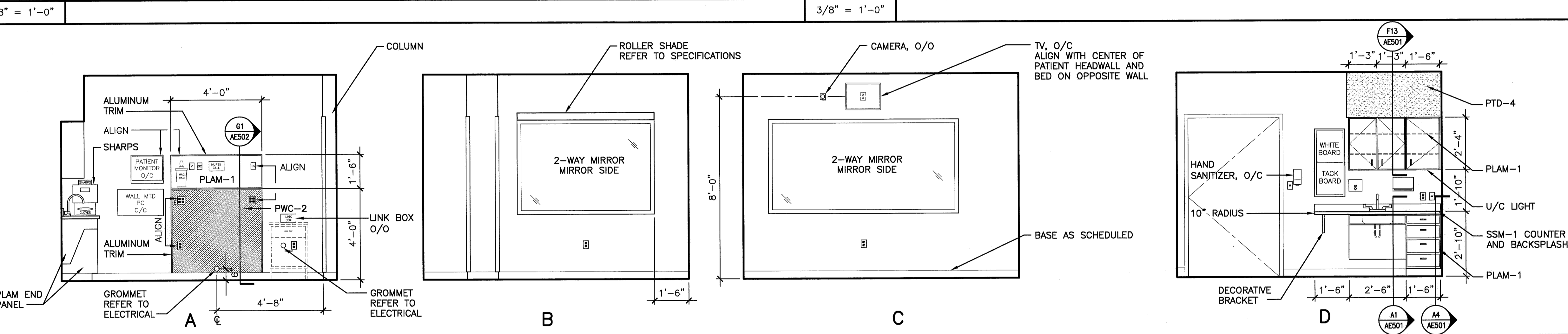
L1 CORRIDOR 101



H1 CONTROL ROOM 152

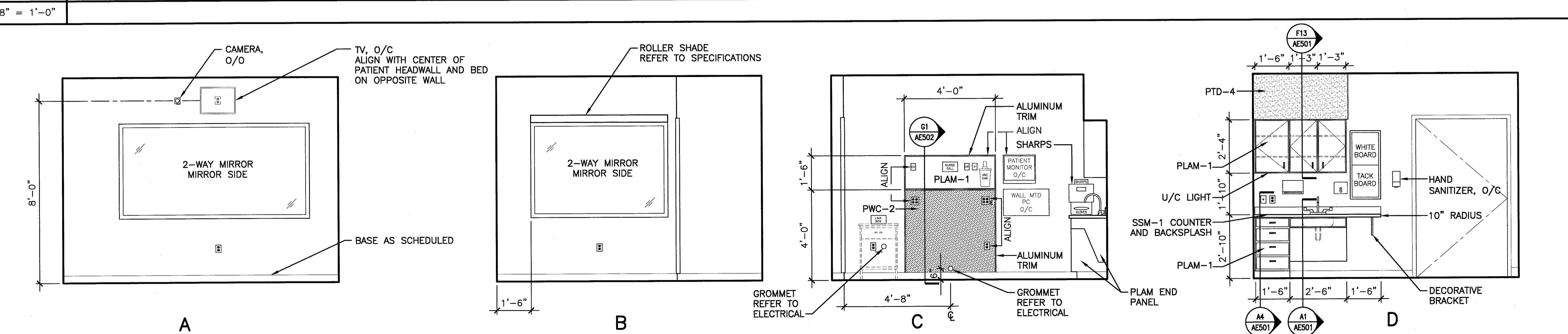
H8 CONTROL ROOM 141

H14 UTILITY CLOSET 142



D1 SIMULATION ROOM 151

D14 NURSE STATION 145



A1 SIMULATION ROOM 153

A14 MEDS 147



UNIVERSITY OF SOUTHERN MAINE
 SIMULATION LABORATORY
 PORTLAND, MAINE

ISSUED FOR BIDDING & CONSTRUCTION
 4-15-11

CURRENT ISSUE STATUS:

REV	DATE	DESCRIPTION
0	4-15-11	ISSUED FOR BIDDING & CONSTRUCTION

GRAPHIC SCALE: 1" = 3'-0"

SCALE: AS NOTED

PROJECT MANAGER: SLE

JC/DRAWN BY: CAH

A/E OF RECORD: SLE

CAD FILE: AE211-10150

PROJECT NO: 10150-00

DATE: 4-15-11

SHEET TITLE: INTERIOR ELEVATIONS

SHEET No. **AE211**

© COPYRIGHT 2009 SMRI INC.