

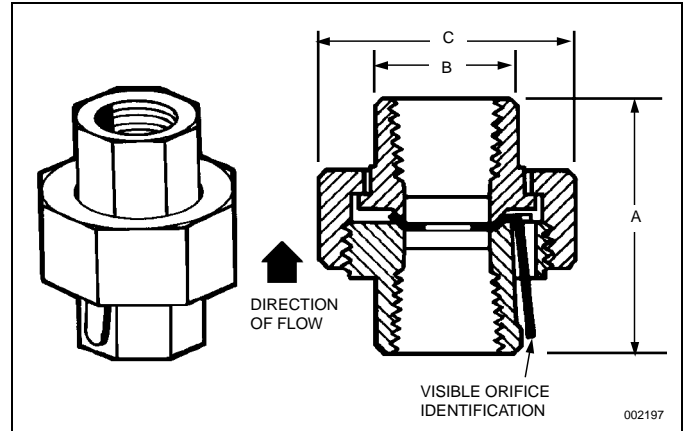


Pressure Reducer/Union

Description

The pressure reducer/union is required to restrict the flow of INERGEN® agent thus reducing the agent pressure down stream of the union. The 3000 psi (206.9 bar) NSCWP union contains a stainless steel orifice plate which is drilled to the specific size hole required based on the flow calculation.* The orifice plate provides readily visible orifice identification. The orifice union is available in six sizes: 1/2 in., 3/4 in., 1 in., 1 1/4 in., 1 1/2 in., and 2 in. NPT.

All pressure reducer/unions must be installed in the piping with the orifice identification tab on the pressure inlet side of the system. The 1 1/4 in., 1 1/2 in. and 2 in. orifice unions must be installed per the direction of the flow arrow stamped on the body.



Shipping Assembly Part No.	Description	A	B	C
416677	1/2 in. NPT pressure reducer/union	2.06 in. (5.2 cm)	1.18 in. (2.9 cm)	1.95 in. (4.9 cm)
416678	3/4 in. NPT pressure reducer/union	2.38 in. (6.1 cm)	1.50 in. (3.8 cm)	2.38 in. (6.1 cm)
416679	1 in. NPT pressure reducer/union	2.63 in. (6.7 cm)	1.78 in. (4.5 cm)	2.77 in. (7.0 cm)
416680	1 1/4 in. NPT pressure reducer/union	2.94 in. (7.5 cm)	2.04 in. (5.2 cm)	3.31 in. (8.4 cm)
416681	1 1/2 in. NPT pressure reducer/union	3.31 in. (8.4 cm)	2.31 in. (5.9 cm)	3.70 in. (9.4 cm)
416682	2 in. NPT pressure reducer/union	3.56 in. (9.0 cm)	2.85 in. (7.2 cm)	4.39 in. (11.2 cm)

Component	Material	Thread Size	Approvals
Pressure Reducer/ Union	Body: Forged Steel Orifice Plate: Stainless Steel	1/2, 3/4, 1, 1 1/4, 1 1/2, 2 in. NPT	FMRC Approved UL Listed (EX-4510)

- ▶ NOTE: Refer to “Nozzle/Pressure Reducer Range Chart” in Design Section for detailed orifice range information.

* Orifice diameter must be specified when placing order.

ANSUL and INERGEN are trademarks of Ansul Incorporated or its affiliates.