



CV-98 Valve / Cylinder Shipping Assembly

Description

The cylinder is factory filled with INERGEN® agent. A single cylinder may be used or multiple cylinders can be manifolded together to obtain the required quantity of agent for total flooding. The cylinder valve can be actuated electrically, pneumatically, and/or manually with approved valve actuation components. All valves are equipped with an anti-recoil feature.

The cylinders are shipped with a maintenance record card and protective shipping cap attached to the threaded neck of each cylinder. This cap entirely encloses and protects the valve while in shipment.

The equivalent length of the valve is equal to 20 ft. (6.1 m) of 1/2 in. Sch. 40 pipe.

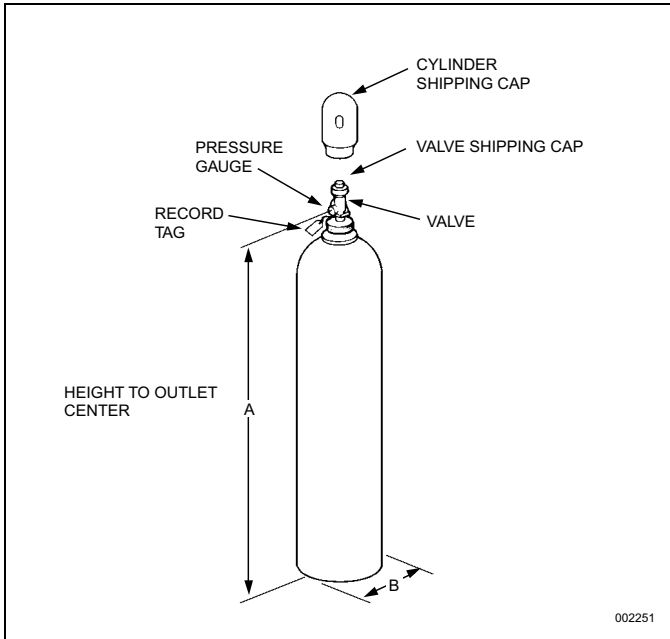
Component	Material	Approvals
Cylinder	Steel	Meets DOT 3AA2300
Valve	Brass	
Safety Relief Valve	Brass	
Valve/Cylinder Assembly		FMRC Approved UL Listed (EX-4510)
Shipping Cap	Steel	

Shipping Assembly Part No.	Nominal Cylinder Size		Actual INERGEN Agent Quantity		Approximate Weight		Dimension A		Dimension B	
	ft.3	(m3)	ft.3	m3	lb.	(kg)	in.	(cm)	in.	(cm)
Shipping Assemblies – Red Standard Paint										
426147	200	(5.7)	205	(5.8)	128	(58)	52.7	(129)	8.5	(21.6)
426148	250	(7.1)	266	(7.5)	169	(77)	57.7	(147)	9.3	(23.5)
426149	350	(9.9)	355	(10.1)	217	(98)	59.7	(152)	10.7	(27.3)
426620	LC-350	(9.9)	355	(10.1)	217	(98)	60.2	(152.9)	10.5	(26.7)
426594	LC-425	(12.0)	429	(12.1)	246	(111.6)	70.5	(179.1)	10.5	(26.7)
426150	435*	(12.3)	439	(12.4)	260	(117.9)	66.9	(170.0)	11.0	(27.9)
Shipping Assemblies – Red Corrosion Resistant Paint										
426256	200	(5.7)	205	(5.8)	128	(58)	52.7	(129)	8.5	(21.6)
426257	250	(7.1)	266	(7.5)	169	(77)	57.7	(147)	9.3	(23.5)
426258	350	(9.9)	355	(10.1)	217	(98)	59.7	(152)	10.7	(27.3)
426621	LC-350	(9.9)	355	(10.1)	217	(98)	60.2	(152.9)	10.5	(26.7)
426595	LC-425	(12.0)	429	(12.1)	246	(111.6)	70.5	(179.1)	10.5	(26.7)
426259	435	(12.3)	439	(12.4)	260	(117.9)	66.9	(170.0)	11.0	(27.9)

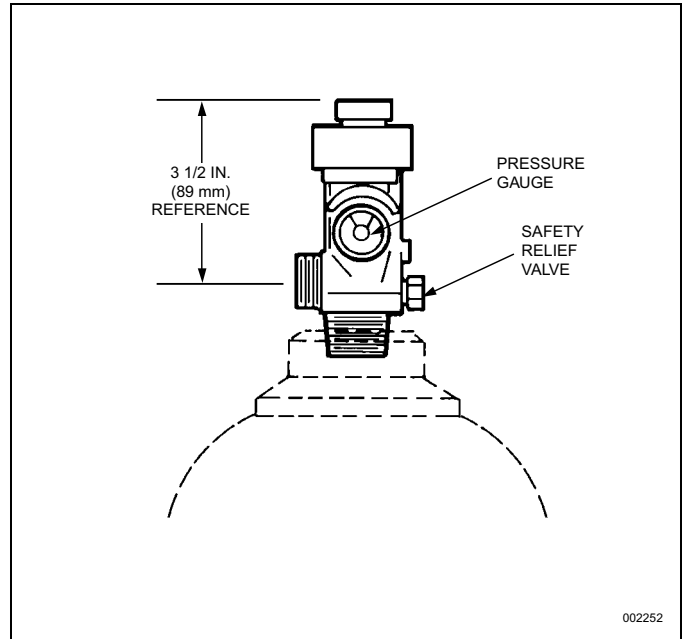
* NOTE: For Shanghai version, order Part No. 430935.

Canadian TC Approved

Shipping Assembly Part No.	Nominal Cylinder Size		Actual INERGEN Agent Quantity		Approximate Weight		Dimension A		Dimension B	
	ft.3	(m3)	ft.3	m3	lb.	(kg)	in.	(cm)	in.	(cm)
Shipping Assemblies – Red Enamel Paint										
426712	200	(5.7)	205	(5.8)	128	(58)	52.7	(129)	8.5	(21.6)
426713	250	(7.1)	266	(7.5)	169	(77)	57.7	(147)	9.3	(23.5)
426714	350	(9.9)	355	(10.1)	217	(98)	59.7	(152)	10.7	(27.3)
427551	LC-425	(12.0)	429	(12.1)	246	(111.6)	70.5	(179.1)	10.5	(26.7)
426715	435	(12.3)	439	(12.4)	260	(117.9)	66.9	(170.0)	11.0	(27.9)
Shipping Assemblies – Red Epoxy CR Paint										
426716	200	(5.7)	205	(5.8)	128	(58)	52.7	(129)	8.5	(21.6)
426717	250	(7.1)	266	(7.5)	169	(77)	57.7	(147)	9.3	(23.5)
426718	350	(9.9)	355	(10.1)	217	(98)	59.7	(152)	10.7	(27.3)
427552	LC-425	(12.0)	429	(12.1)	246	(111.6)	70.5	(179.1)	10.5	(26.7)
426719	435	(12.3)	439	(12.4)	260	(117.9)	66.9	(170.0)	11.0	(27.9)



002251



002252

CV-98 INERGEN Valve

The CV-98 valve has a ten (10) year warranty. **The valve requires no internal maintenance.** The valve is sealed closed and must not be disassembled. If there is ever a malfunction of the CV-98 valve, the complete valve must be sent back to Ansul for warranty replacement. **If the external seal is broken, the warranty is voided.**

NOTE: Use Flexible Discharge Bend, Part No. 427082, when attaching valve to supply pipe or manifold.

ANSUL and INERGEN are trademarks of Ansul Incorporated or its affiliates.