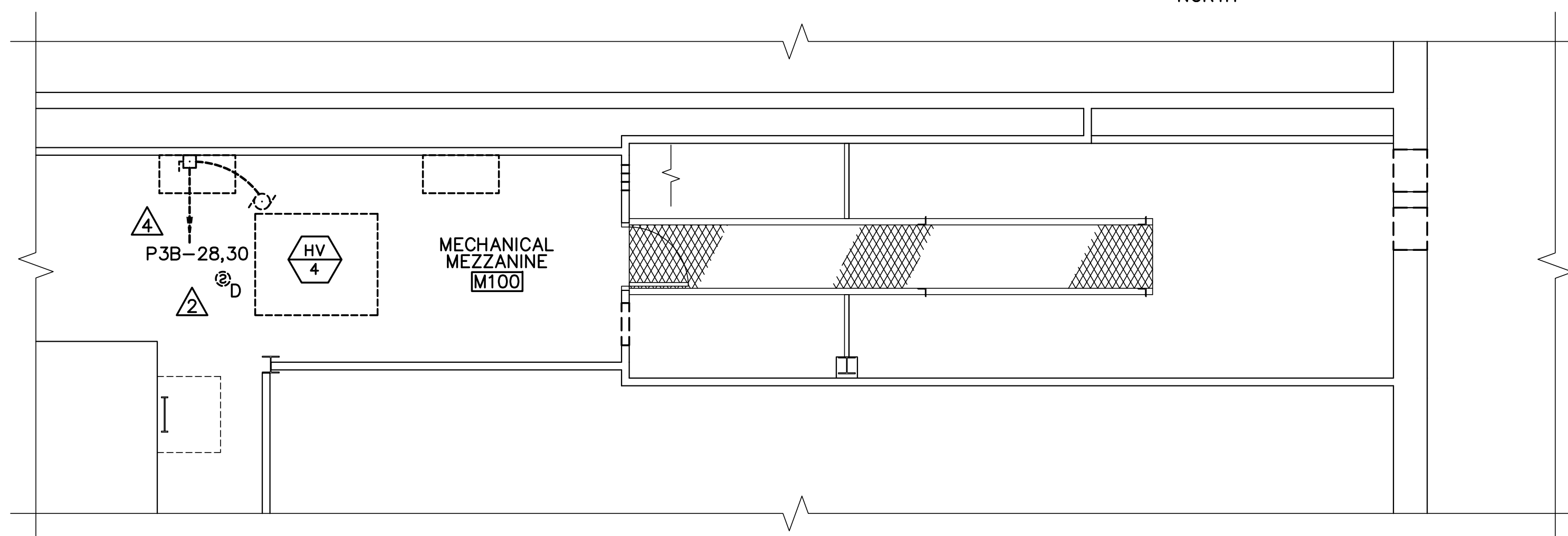
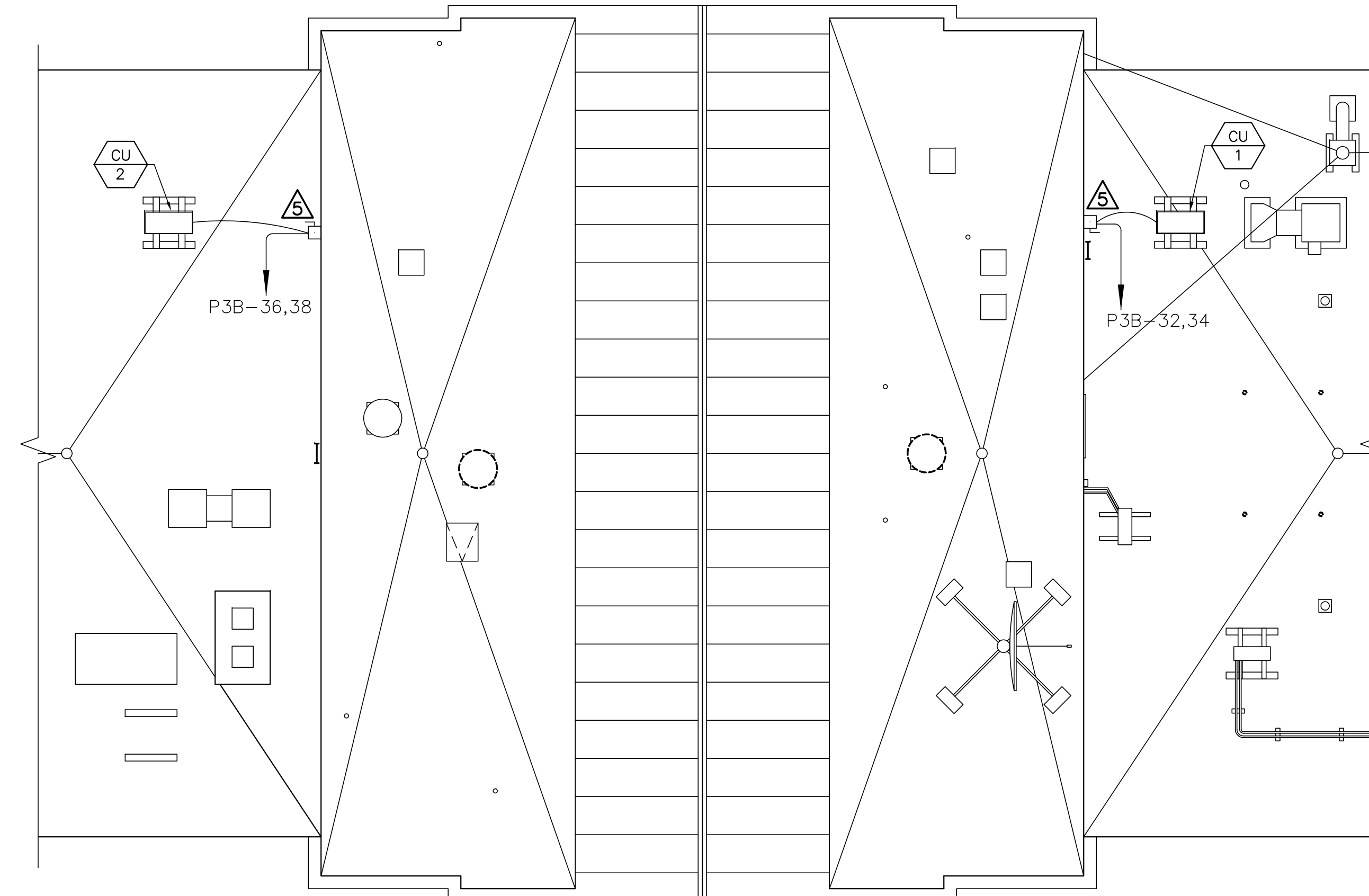


1 ENLARGED LECTURE HALL ELECTRICAL REMOVALS PLAN
ED101 SCALE: 1/4"=1'-0" PLAN NORTH



2 ENLARGED EQUIPMENT ROOM ELECTRICAL REMOVALS PLAN
ED101 SCALE: 1/4"=1'-0" PLAN NORTH



3 PARTIAL ELECTRICAL ROOF PLAN
ED101 SCALE: 1/8"=1'-0" PLAN NORTH

- GENERAL NOTE**
- REFER TO SHEET E-001 FOR SYMBOLS, ABBREVIATIONS, AND GENERAL NOTES.
- DRAWING KEYNOTES**
- △ REMOVE CONDUIT AND WIRING FROM FANS BACK TO SOURCE PANELBOARD P3B IN STAIRS. UPDATE PANELBOARD DIRECTORY.
 - △ REMOVE DUCT SMOKE DETECTOR. EXISTING WIRING TO REMAIN FOR RE-USE. PROTECT WIRING DURING CONSTRUCTION.
 - △ TEST FOR PROPER OPERATION PER NFPA 101. PROVIDE REPORT TO OWNERS REPRESENTATIVE. REMOVE AND SALVAGE FIXTURE FOR REINSTALLATION. PROTECT WIRING DURING CONSTRUCTION.
 - △ REMOVE CONDUIT AND WIRING BACK TO SOURCE.
 - △ REMOVE CONNECTION FROM CONDENSING UNIT ON ROOF TO ASSOCIATED AC UNIT IN LECTURE 303.

