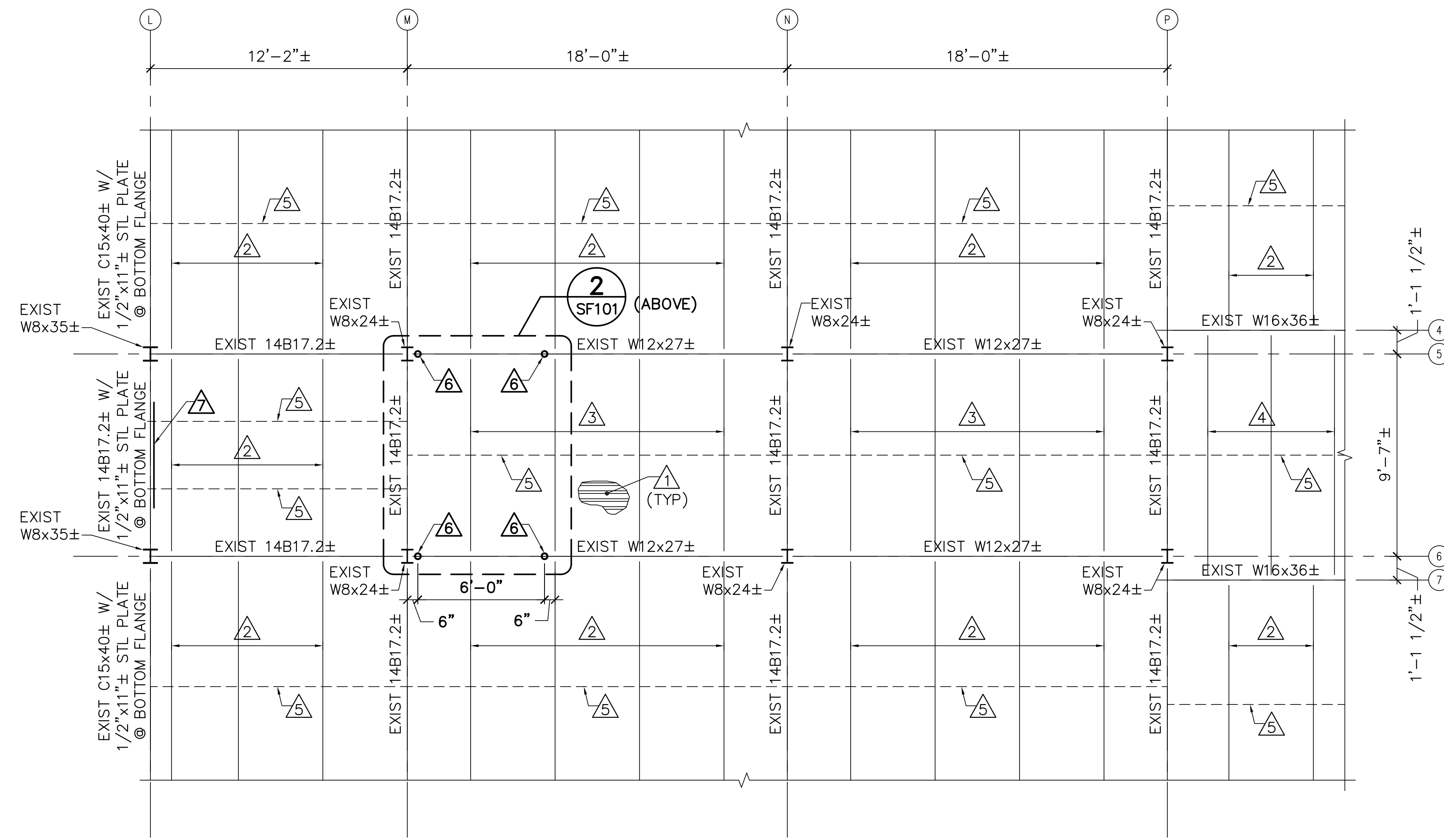


DRAWING NOTE:

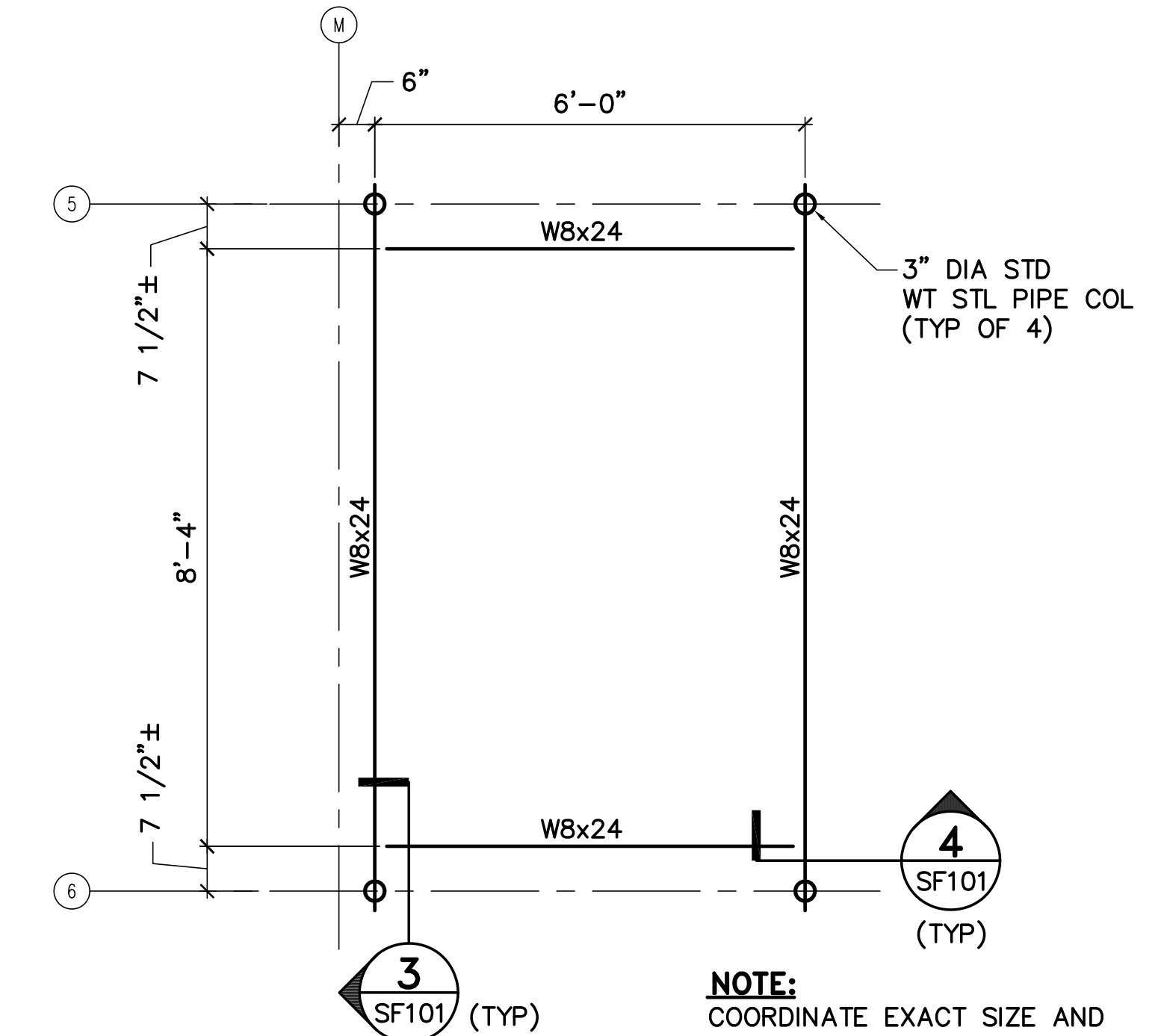
GALVANIZE ALL STEEL MEMBERS, PLATES, BOLTS AND CONNECTIONS.

KEYNOTES: (THIS SHEET ONLY)

- 1 EXISTING 5'-1/2"± GYPSUM CONCRETE ROOF DECK.
- 2 EXISTING 18S7± STEEL JOISTS AT 4'-0"± ON-CENTER.
- 3 EXISTING 8S2± STEEL JOISTS AT 4'-0"± ON-CENTER.
- 4 EXISTING 8S2± STEEL JOISTS AT 3'-0"± ON-CENTER.
- 5 EXISTING STEEL BRIDGING.
- 6 3" DIAMETER STANDARD WEIGHT STEEL PIPE COLUMN.
- 7 (2) 46x4x3/8 (SLV) HEADER, 5'-0" LONG WITH 8" MINIMUM END BEARING. COORDINATE EXACT LOCATION WITH MECHANICAL PLANS.



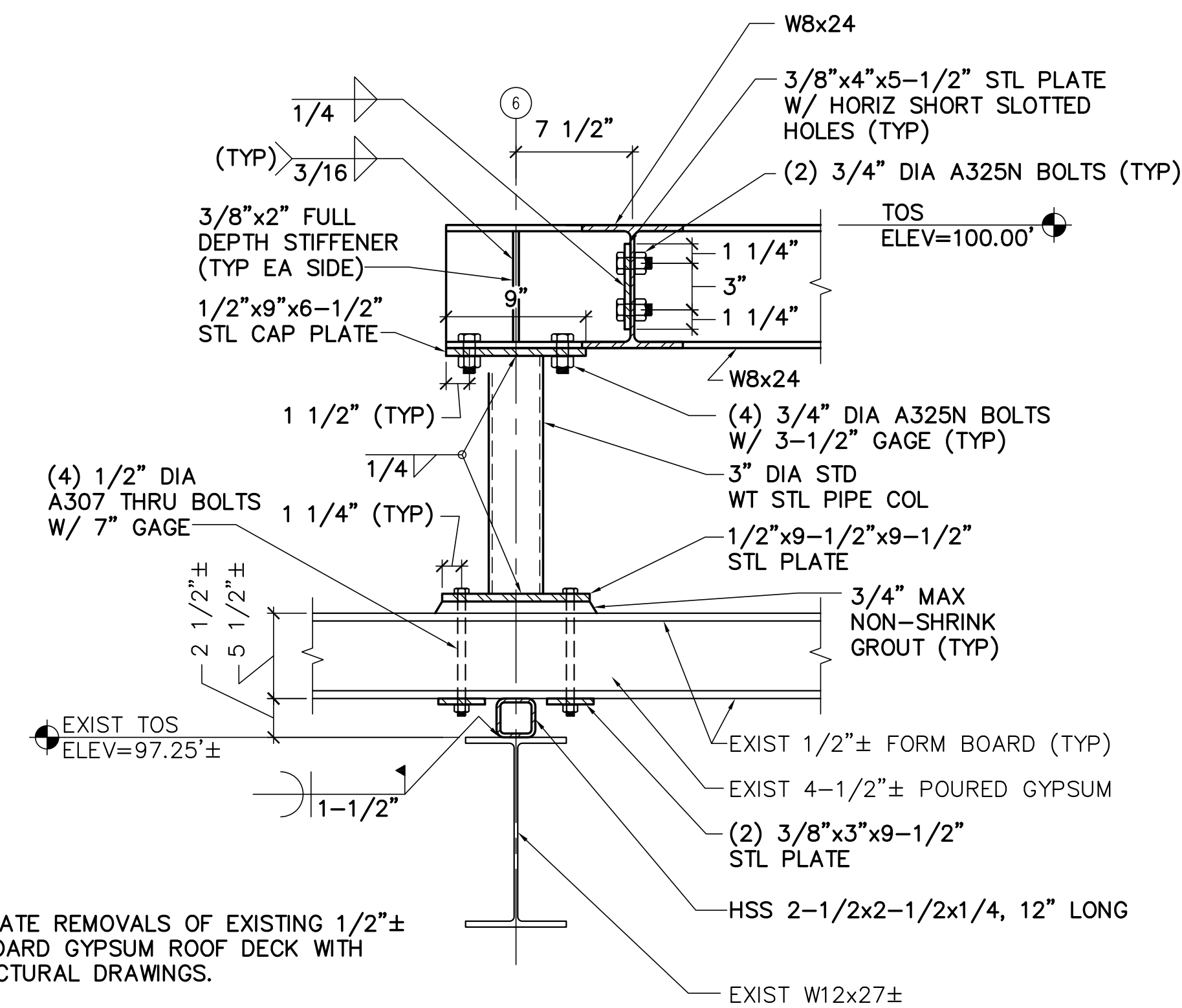
1 LOW ROOF FRAMING PART PLAN
SF101/SCALE: 1/4"=1'-0"



2 MECH UNIT SUPPORT FRAMING PLAN
SF101/SCALE: 1/2"=1'-0"

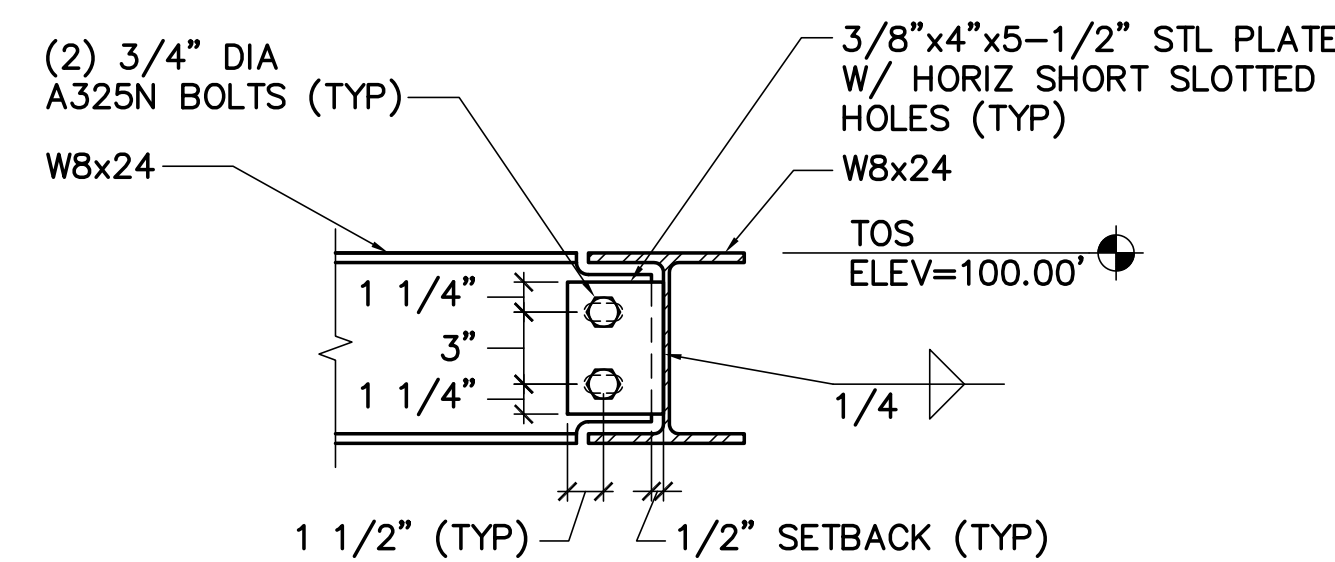


NOTE:
COORDINATE EXACT SIZE AND LOCATION OF SUPPORT FRAME WITH MECHANICAL DRAWINGS AND MECHANICAL UNIT MANUFACTURER.



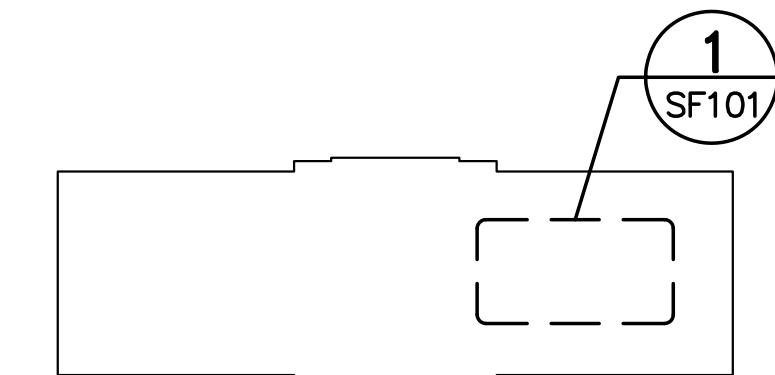
NOTE:
COORDINATE REMOVALS OF EXISTING 1/2"± FORM BOARD GYPSUM ROOF DECK WITH ARCHITECTURAL DRAWINGS.

3 3" DIA STD WT STL PIPE TO EXIST W12x27± CONN DETAIL
SF101/SCALE: 1-1/2"=1'-0"

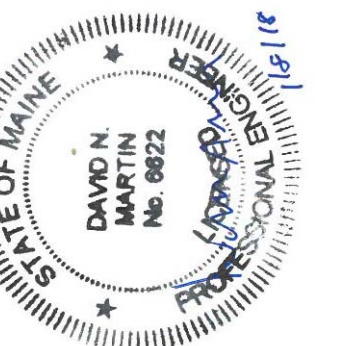
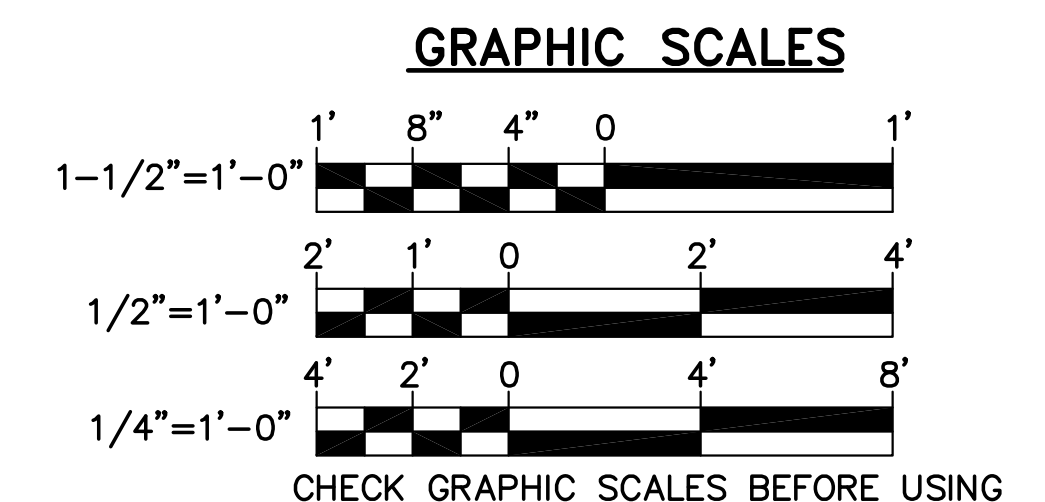


NOTE:
COPE W8x24 AS REQUIRED.

4 W8x24 TO W8x24 CONN DETAIL
SF101/SCALE: 1-1/2"=1'-0"



KEY PLAN
NOT TO SCALE PLAN NORTH



CHM
MJC
DNM
DESIGNED BY:
DRAWN BY:
CHECKED BY:
PROJECT: 21702.01

UNIVERSITY OF SOUTHERN MAINE
COLLEGE OF EDUCATION AND
HUMAN DEVELOPMENT
Portland, ME 04104

LECTURE HALL RENOVATION
AND UPGRADES
PAYSON SMITH HALL
96 Falmouth St., Portland, Maine

LOW ROOF
FRAMING
PART PLAN
AND
DETAILS

SCALE: AS NOTED
DATE: 01-09-18

DWG.: SF101

SHEET: 3 OF 17