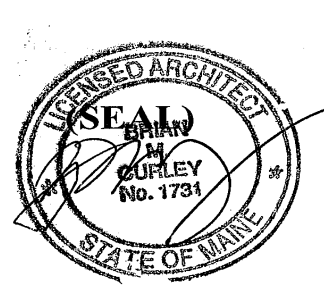


No.	Date	Description



JOB NO. 17064

DRWN. CHK Checker

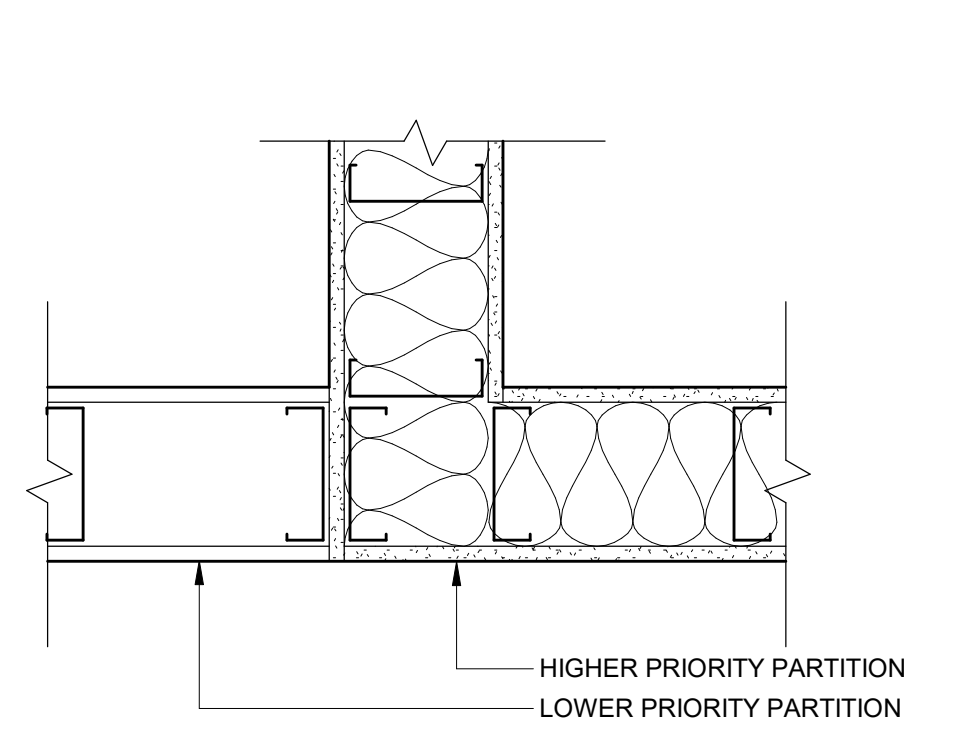
SCALE:

ISSUE 10/26/10

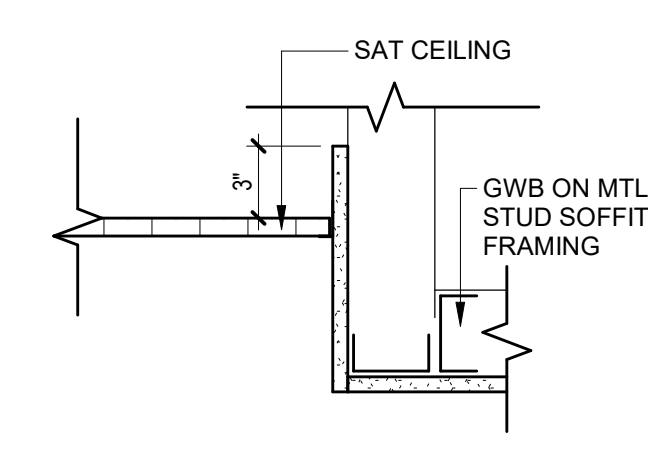
TITLE Typical Interior Details

SHEET

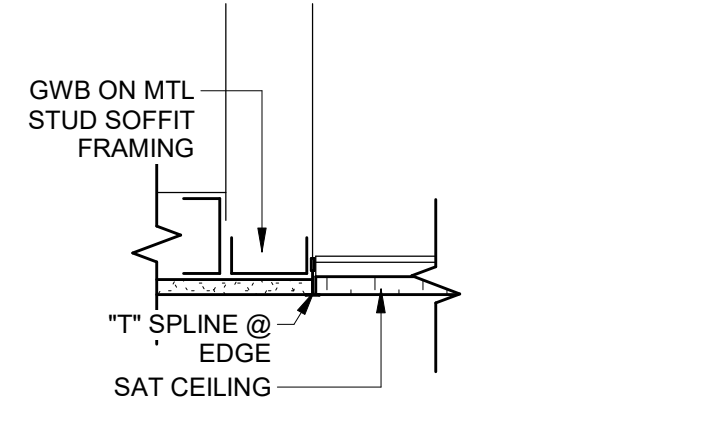
A500



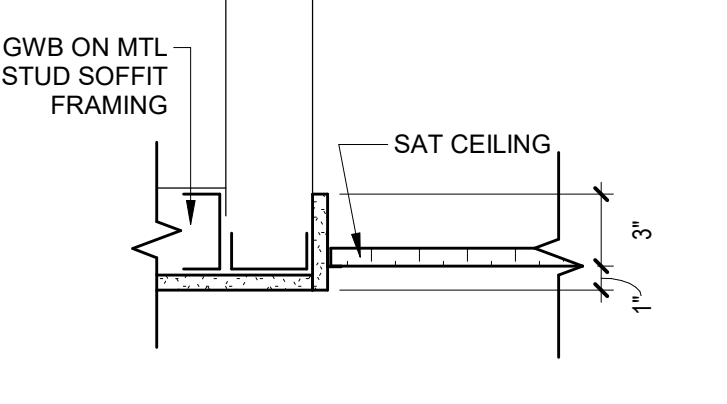
1 CEILING DETAIL - GWB TRANSITION  
1 1/2" = 1'-0"



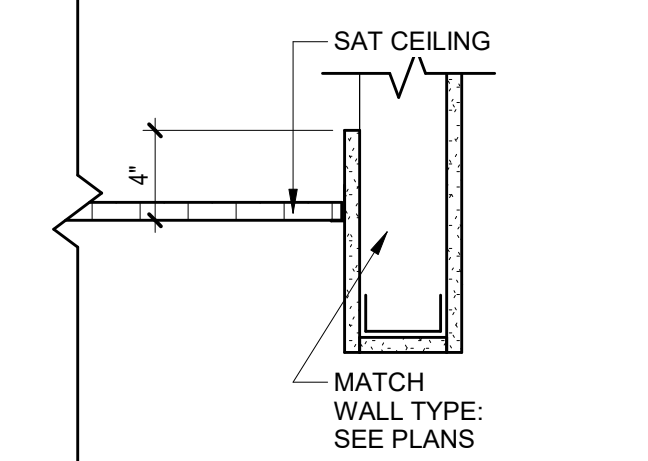
2 CEILING DETAIL - SAT TO GWB  
1 1/2" = 1'-0"



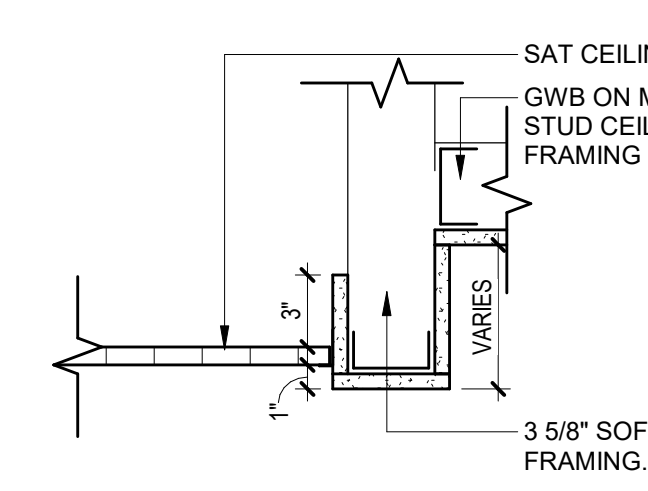
3 CEILING DETAIL - SAT TO GWB ALIGNED  
1 1/2" = 1'-0"



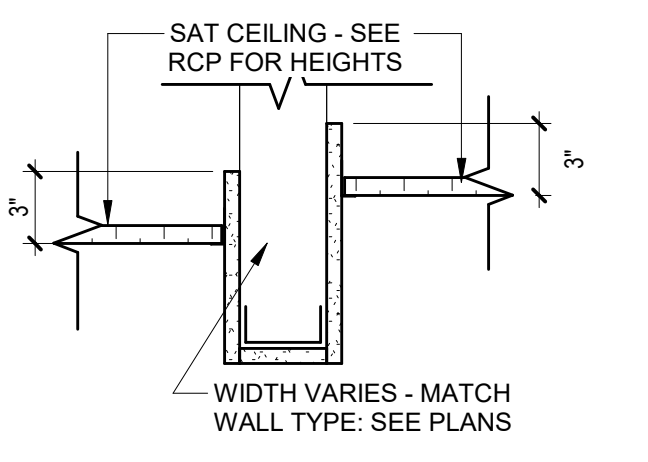
4 CEILING DETAIL - LOW SAT TO GWB  
1 1/2" = 1'-0"



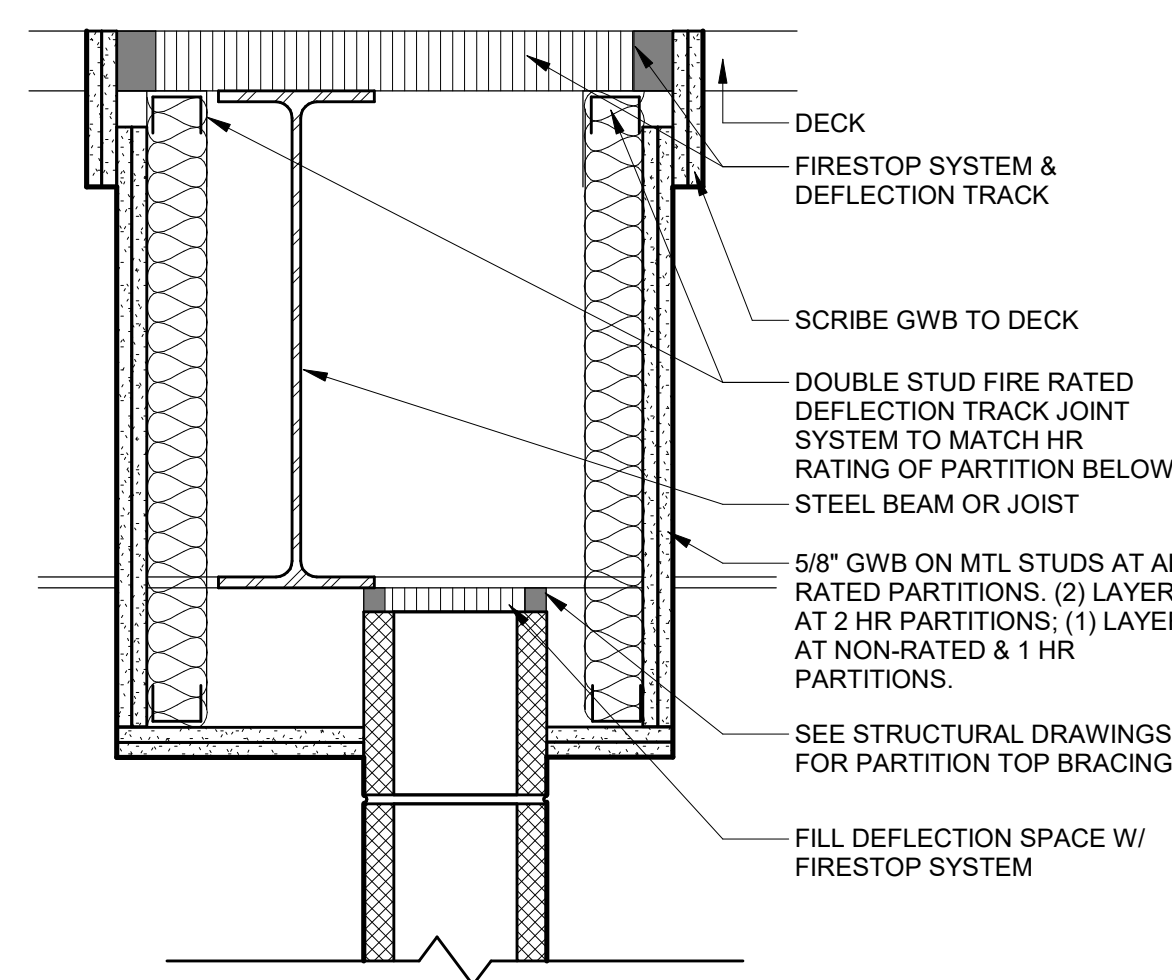
5 CEILING DETAIL - SAT TO GWB SOFFIT  
1 1/2" = 1'-0"



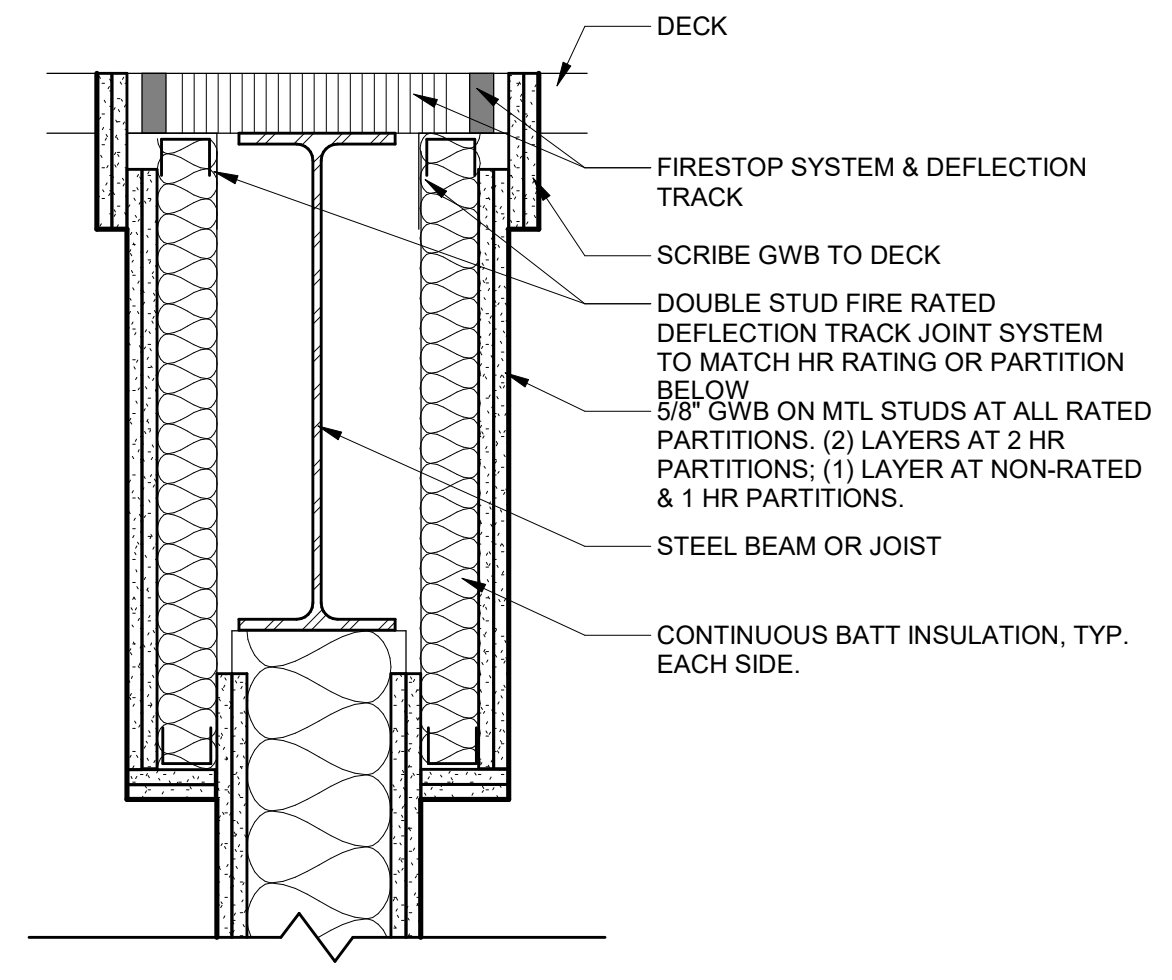
6 CEILING DETAIL - SAT TO GWB W/ SOFFIT  
1 1/2" = 1'-0"



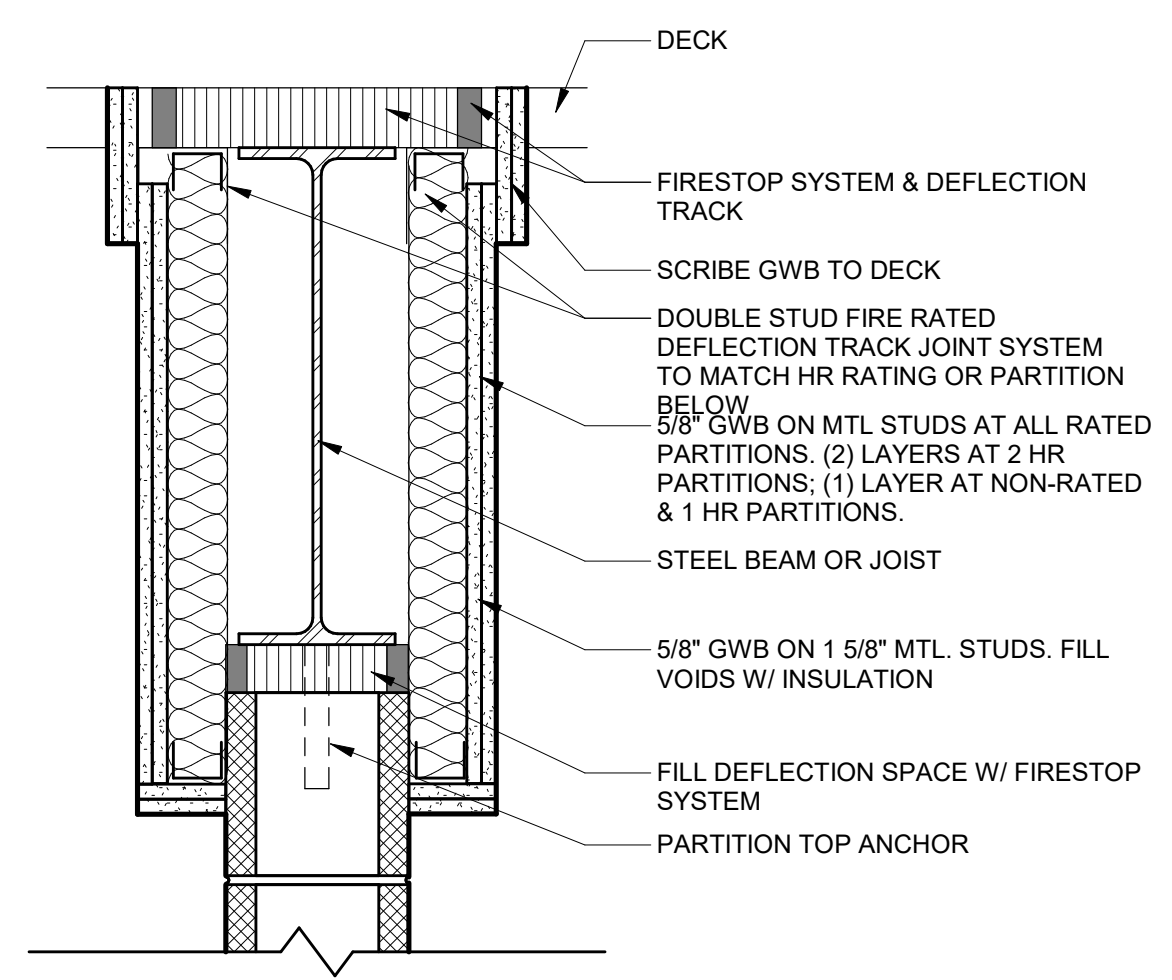
7 CEILING DETAIL - SAT W/ GWB SOFFIT  
1 1/2" = 1'-0"



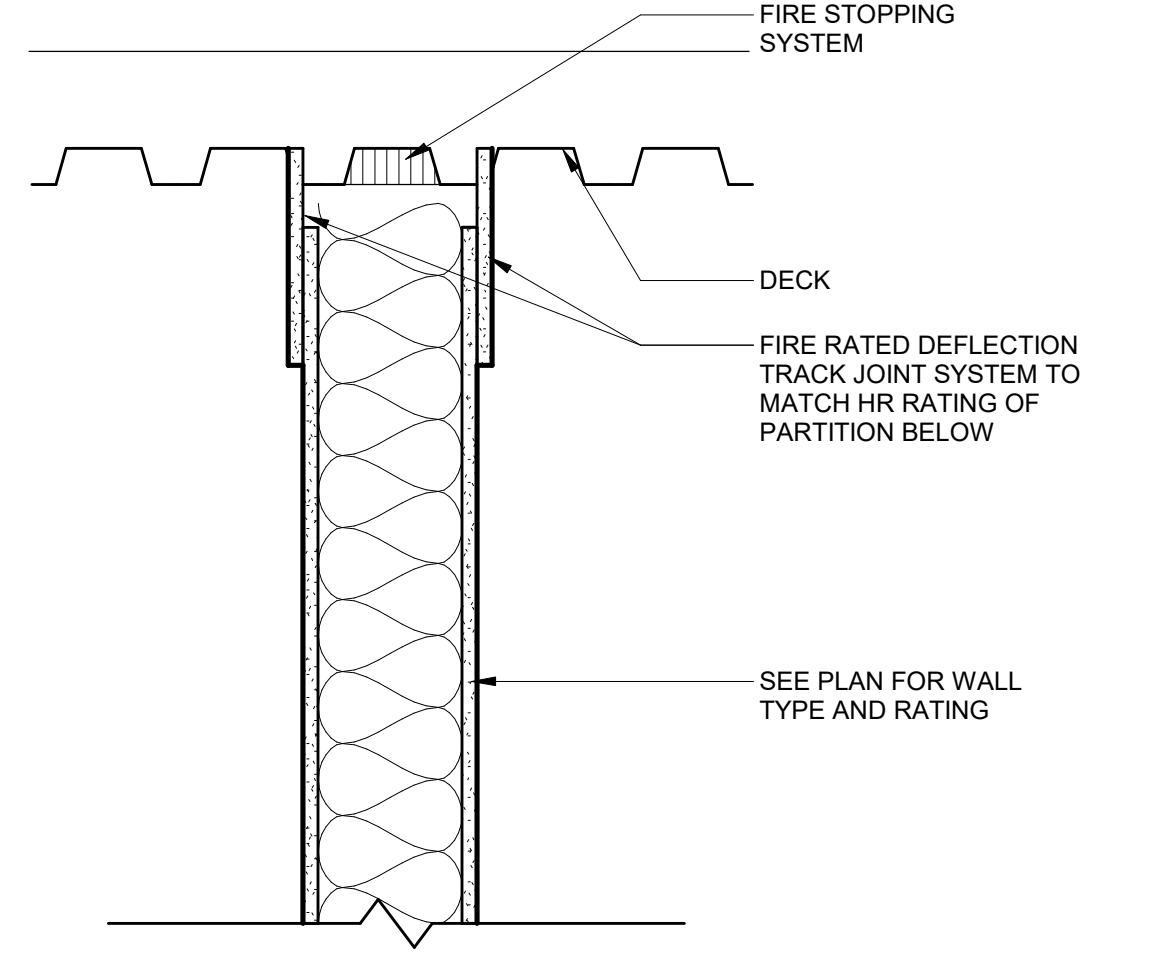
11 TYPICAL TOP OF WALL DETAIL - FIRE RATED CMU @ OFFSET BEAM  
1 1/2" = 1'-0"



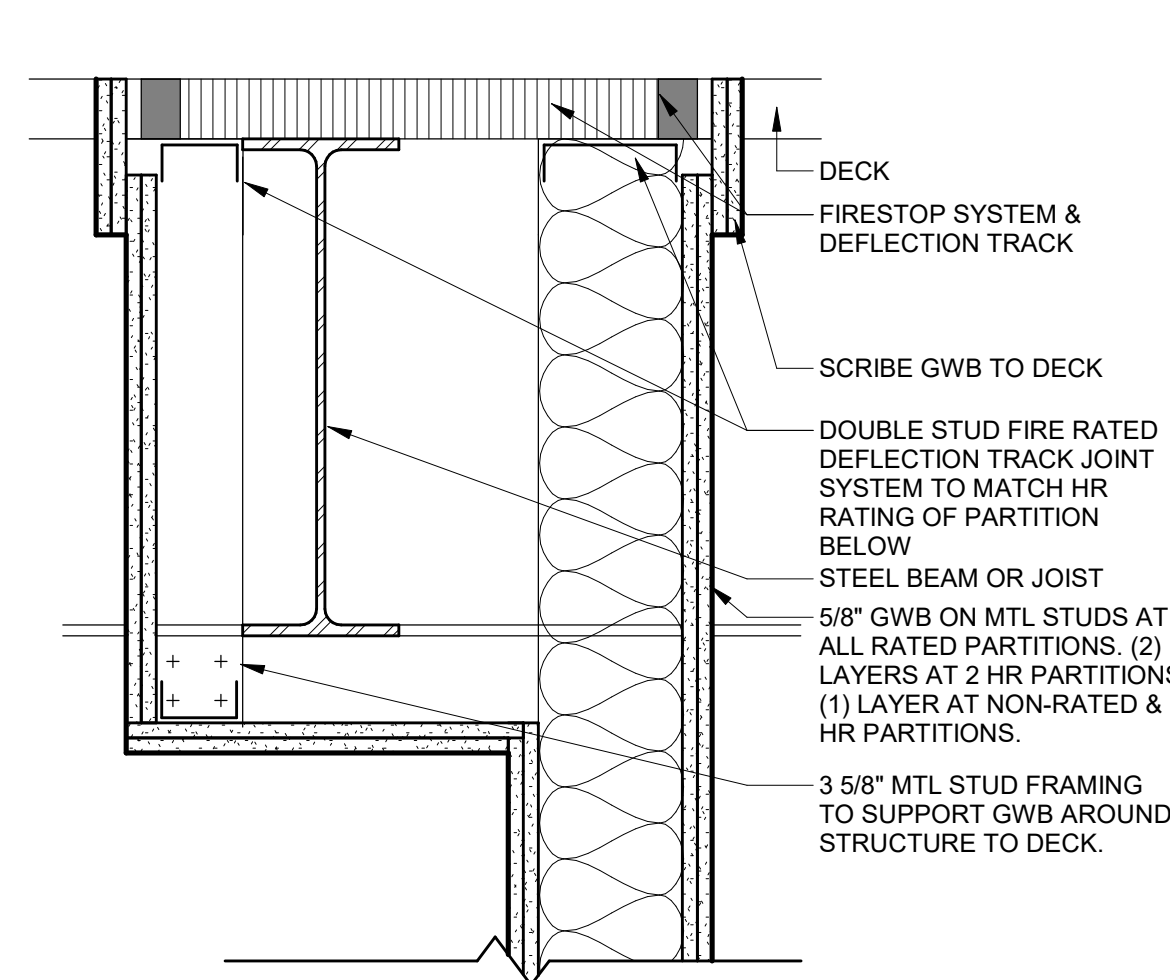
10 TYPICAL TOP OF WALL DETAIL - FIRE RATED MTL STUD  
1 1/2" = 1'-0"



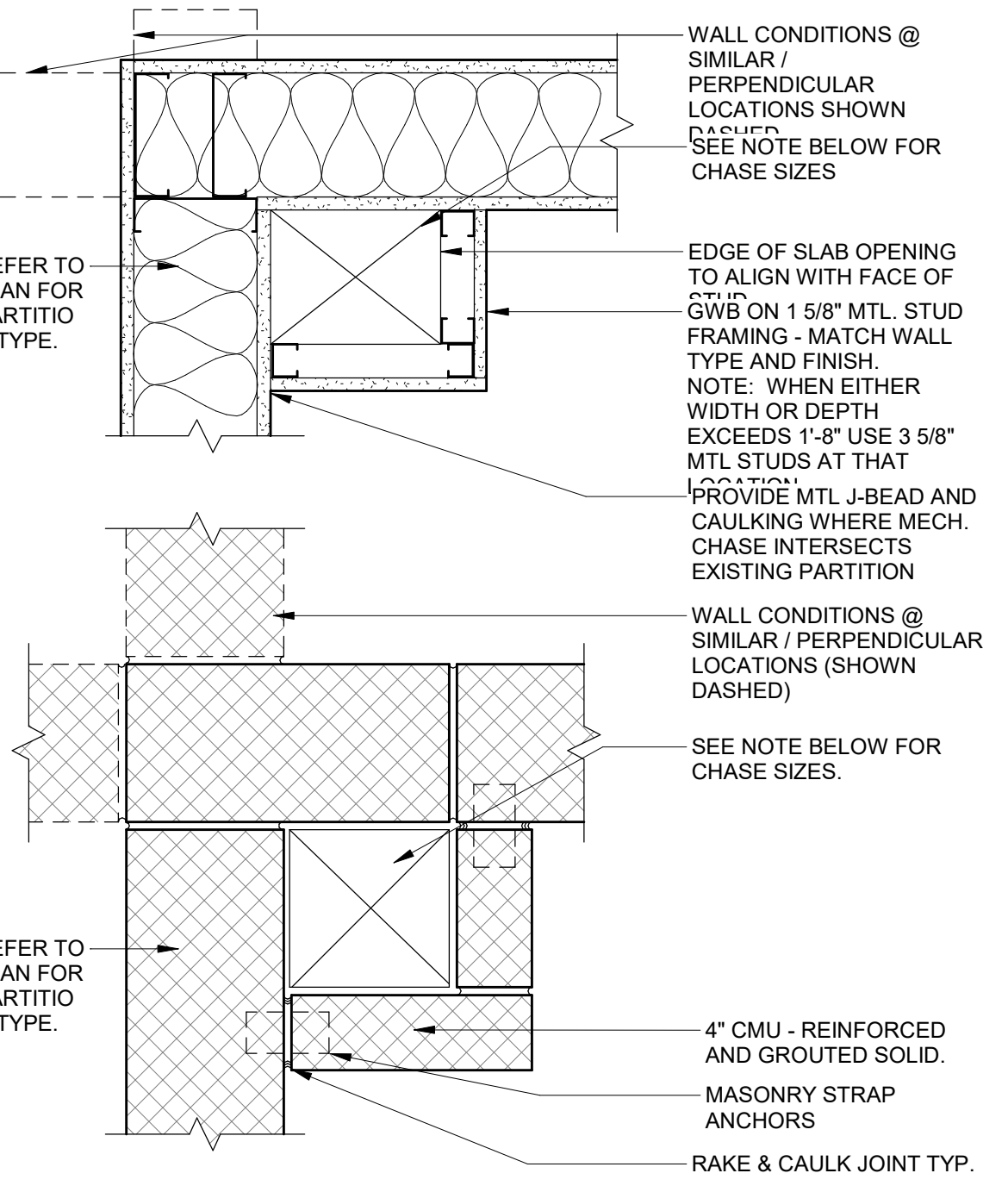
12 TYPICAL TOP OF WALL DETAIL - FIRE RATED CMU  
1 1/2" = 1'-0"



8 TYPICAL TOP OF WALL DETAIL - PARALLEL TO DECK  
1 1/2" = 1'-0"



9 TYPICAL TOP OF WALL DETAIL - FIRE RATED MTL STUD @ OFFSET BEAM  
1 1/2" = 1'-0"

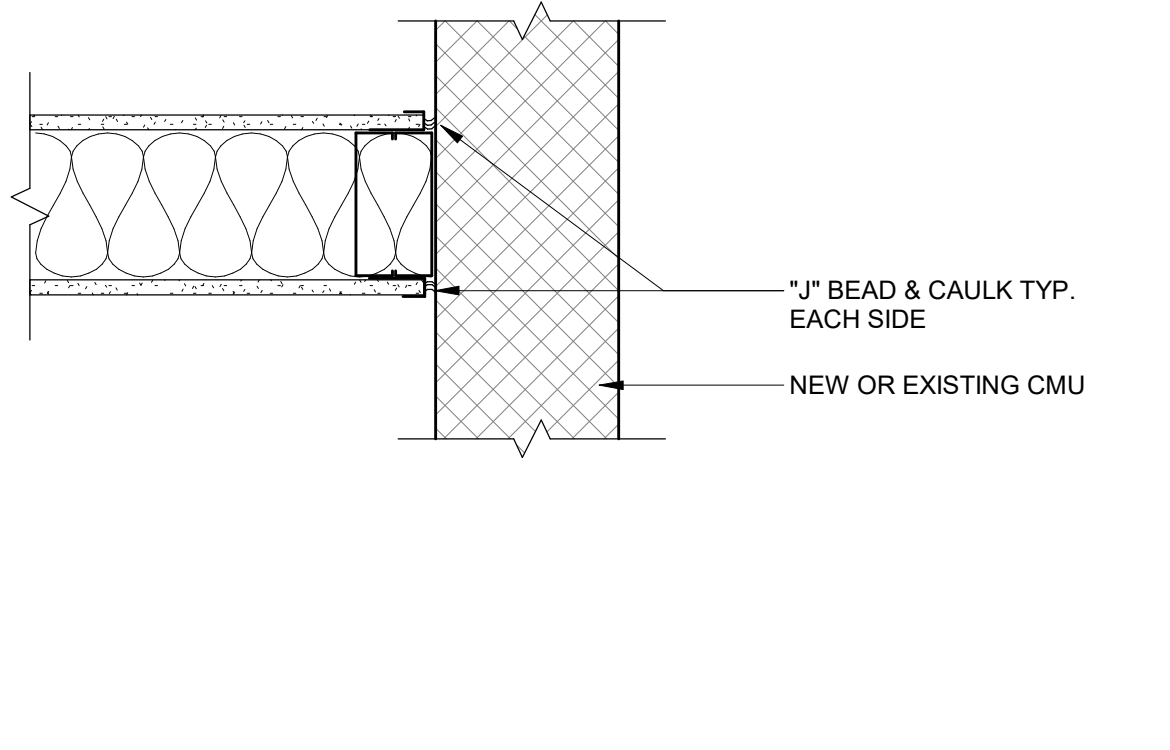


**SUPPLY CHASE:** REFER TO MECHANICAL DRAWINGS FOR DUCT SIZES AND ADD 1/2" ON ALL SIDES TO ESTABLISH SLAB OPENING.  
EXAMPLE: 10"x20" DUCT WOULD REQUIRE A 13"x23" SLAB OPENING.

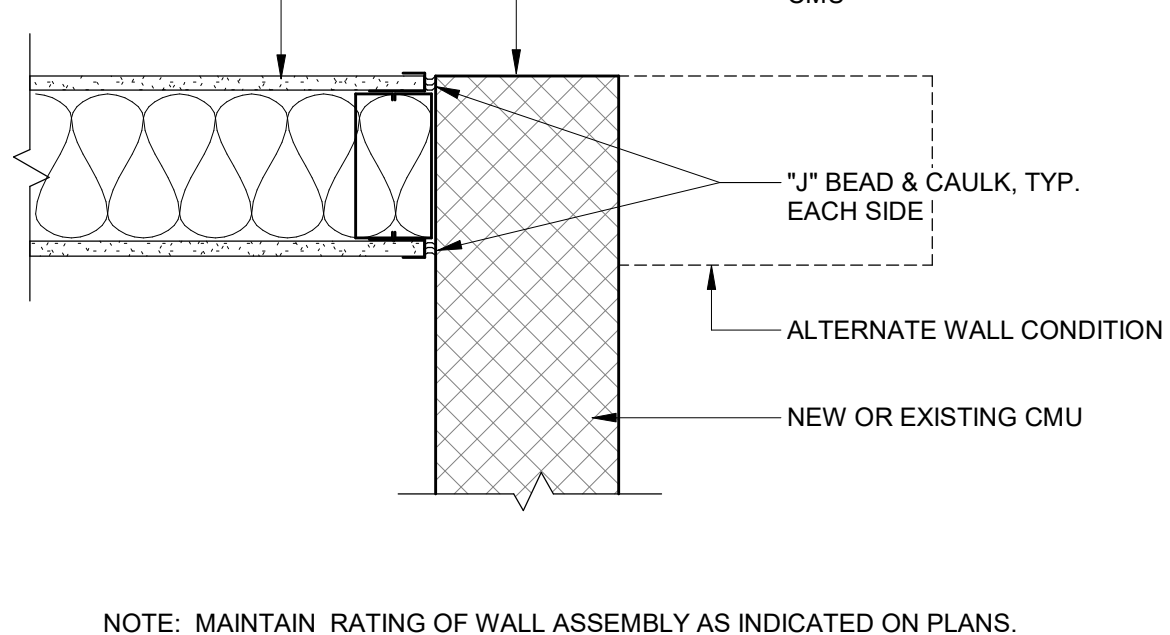
**RETURN CHASE:** REFER TO MECHANICAL DRAWINGS FOR DUCT SIZES AND ADD 1/2" ON ALL SIDES TO ESTABLISH SLAB OPENING.  
EXAMPLE: 10"x20" DUCT WOULD REQUIRE AN 11" X 21" SLAB OPENING.

**GENERAL NOTE:** REFER TO STRUCTURAL DRAWINGS FOR EDGE SUPPORT AT SLAB OPENINGS. COORDINATE WITH STRUCTURE TO AVOID BAR JOISTS AND BEAMS.

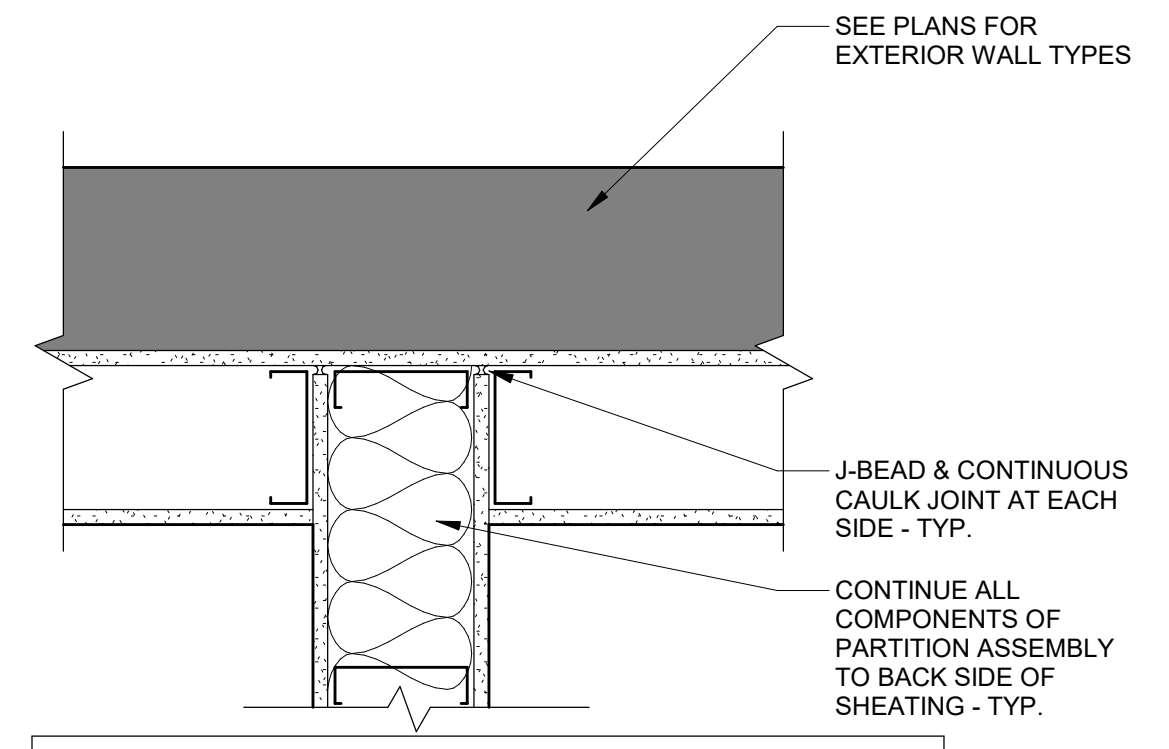
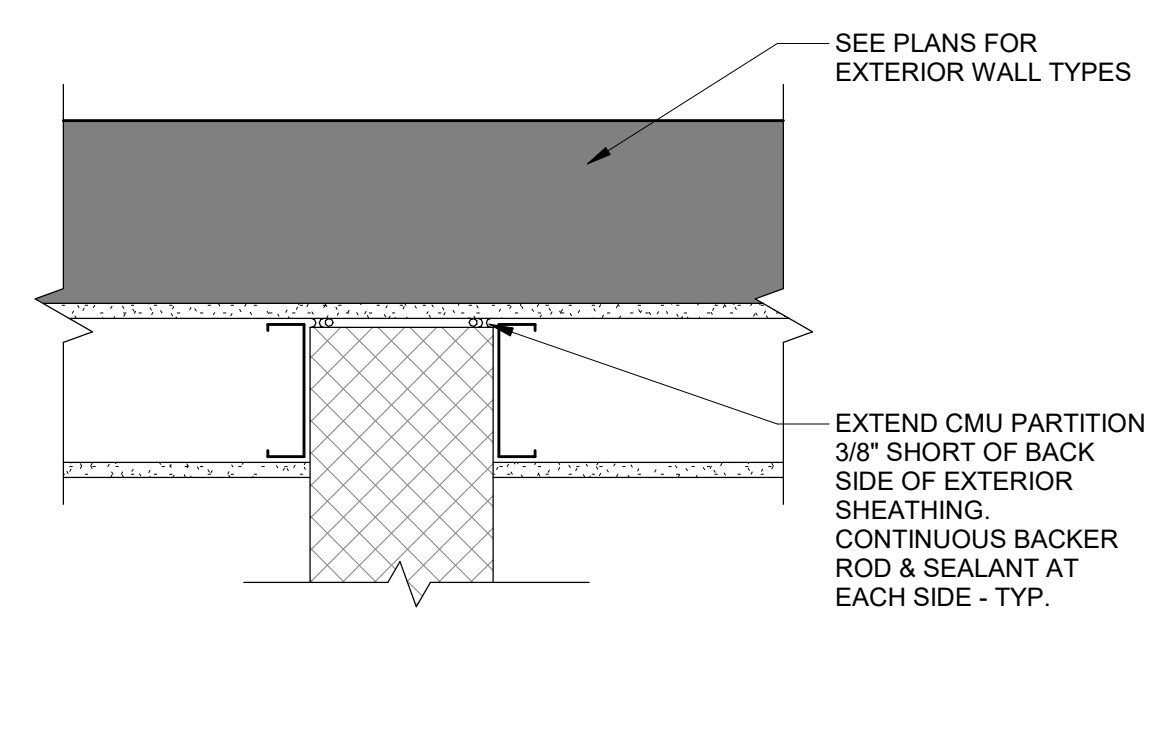
A5 TYPICAL WALL INTERSECTIONS  
1 1/2" = 1'-0"



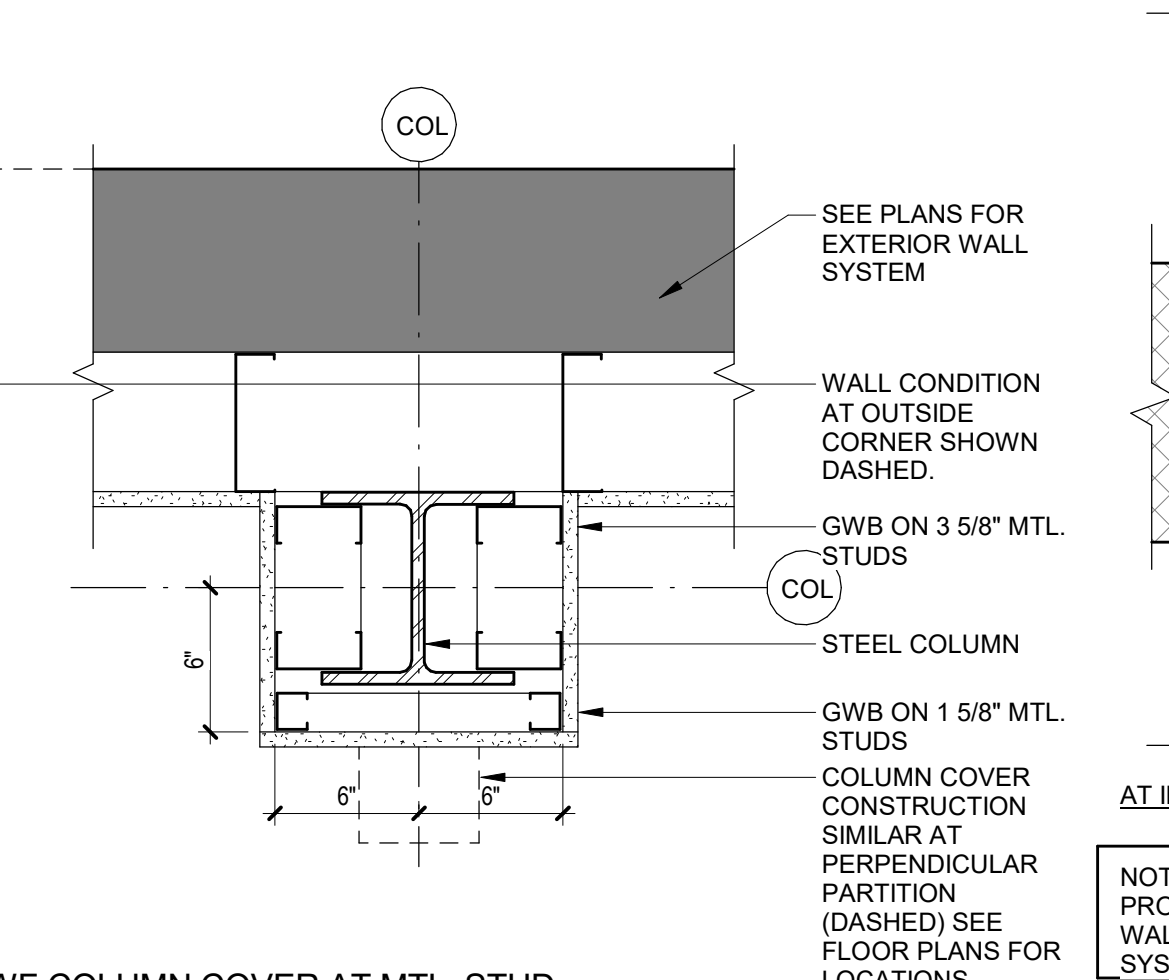
E1 WF COLUMN COVER AT MTL STUD EXTERIOR WALL  
1 1/2" = 1'-0"



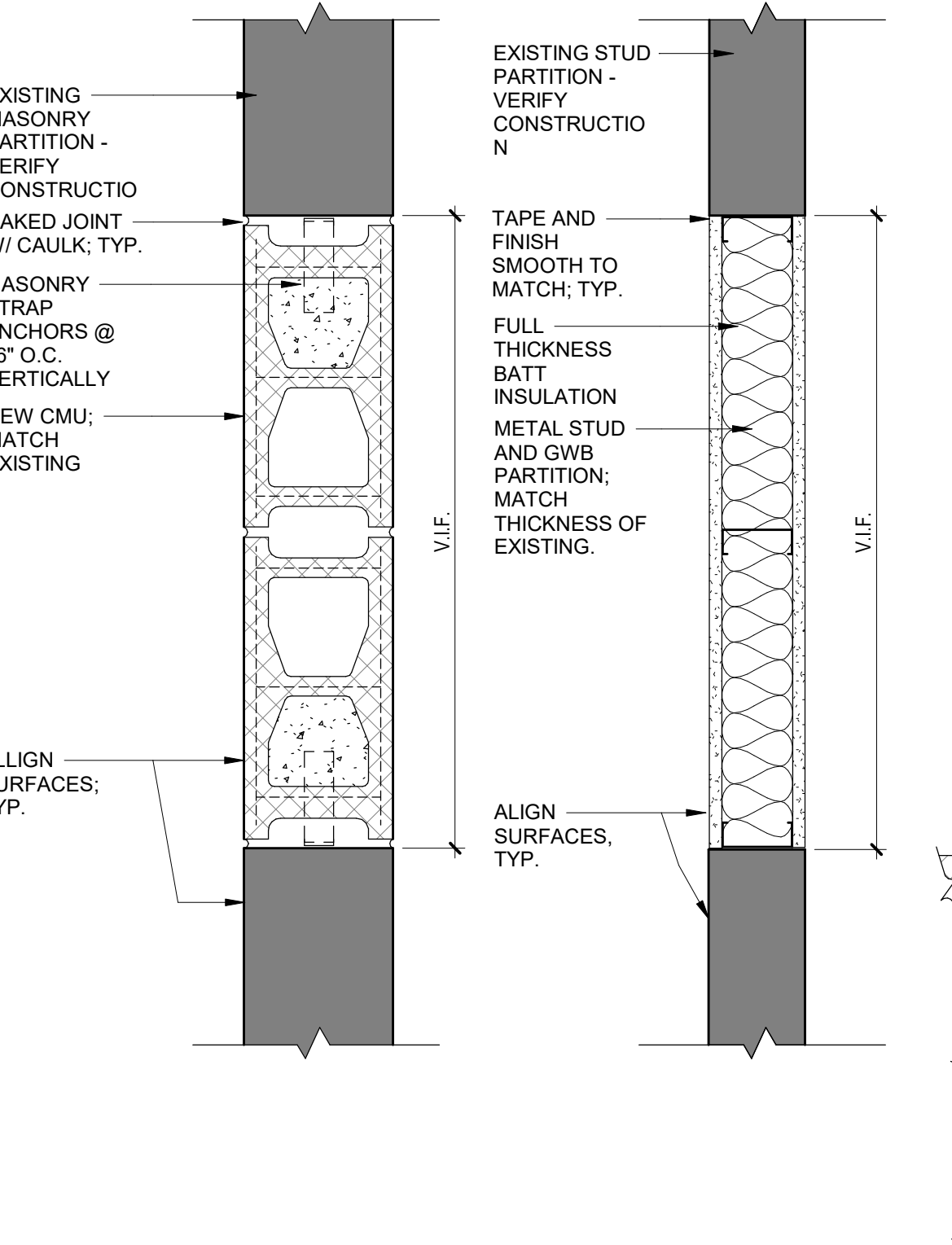
A4 PARTITION STANDARDS  
1 1/2" = 1'-0"



A6 PARTITION PRIORITY  
1 1/2" = 1'-0"



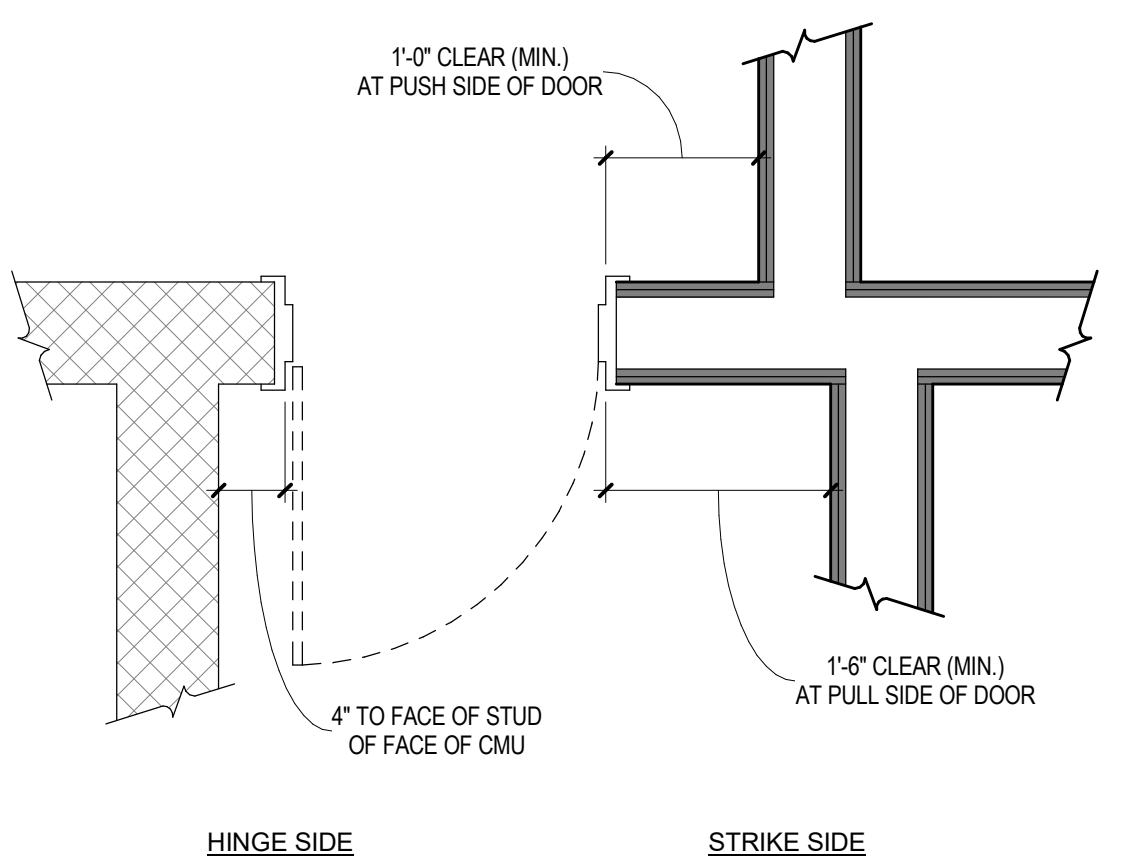
E2 PARTITIONS AT FIRE WALL  
1 1/2" = 1'-0"



A3 EXISTING PARTITION - INFILL  
1 1/2" = 1'-0"

PARTITION PRIORITY LEGEND		
FIRE & SMOKE	HIGHEST	2-HOUR FIRE WALL
	LOWEST	NON-RATED PARTITION OR FURRING
SOUND CLASS	HIGHEST	STC >= 60
	LOWEST	NO STC

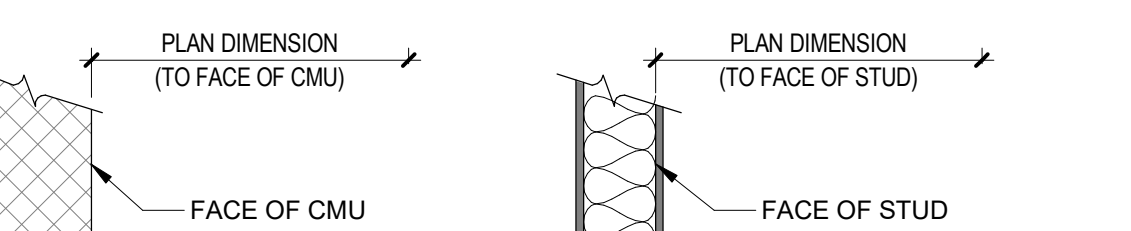
ALL COMPONENTS OF THE HIGHER PRIORITY PARTITION ASSEMBLY MUST CONTINUE UNINTERRUPTED PAST THE LOWER PRIORITY PARTITION ASSEMBLY.  
SEE SHEET A00X FOR FIRE, SMOKE AND STC VALUES OF PARTITION ASSEMBLIES.



A1 DIMENSIONAL STANDARDS  
1 1/2" = 1'-0"

NOTE: MAINTAIN RATING OF WALL ASSEMBLY AS INDICATED ON PLANS. USE APPROPRIATE FIRESTOP SYSTEM.

NOTE: MINIMUM CLEAR DIMENSIONS MAY NOT BE REDUCED. ADJUST HINGE SIDE DIMENSIONS AS NEEDED TO MAINTAIN CLEAR DIMENSIONS INDICATED.



A1 DIMENSIONAL STANDARDS  
1 1/2" = 1'-0"