



HARRIMAN

AUBURN PORTLAND MANCHESTER

UNIVERSITY OF SOUTHERN MAINE DEPARTMENT REORGANIZATION PROJECT 2015-011

PORTLAND, MAINE

Harriman Project No. 15457

Key Plan

Proj North

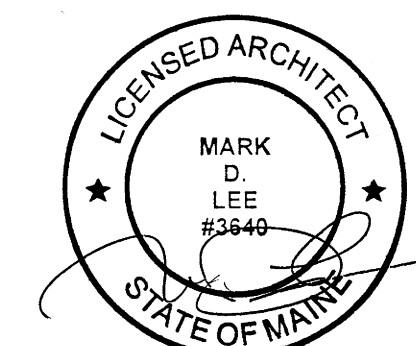


True North



Issues and Revisions

Mark	Date	Description
-	07-09-15	75% REVIEW
--	07-23-15	100% REVIEW
--	08-03-15	OWNER REVIEW
--	08-10-15	ISSUED FOR BID
1	09-25-15	ISSUED FOR PERMIT

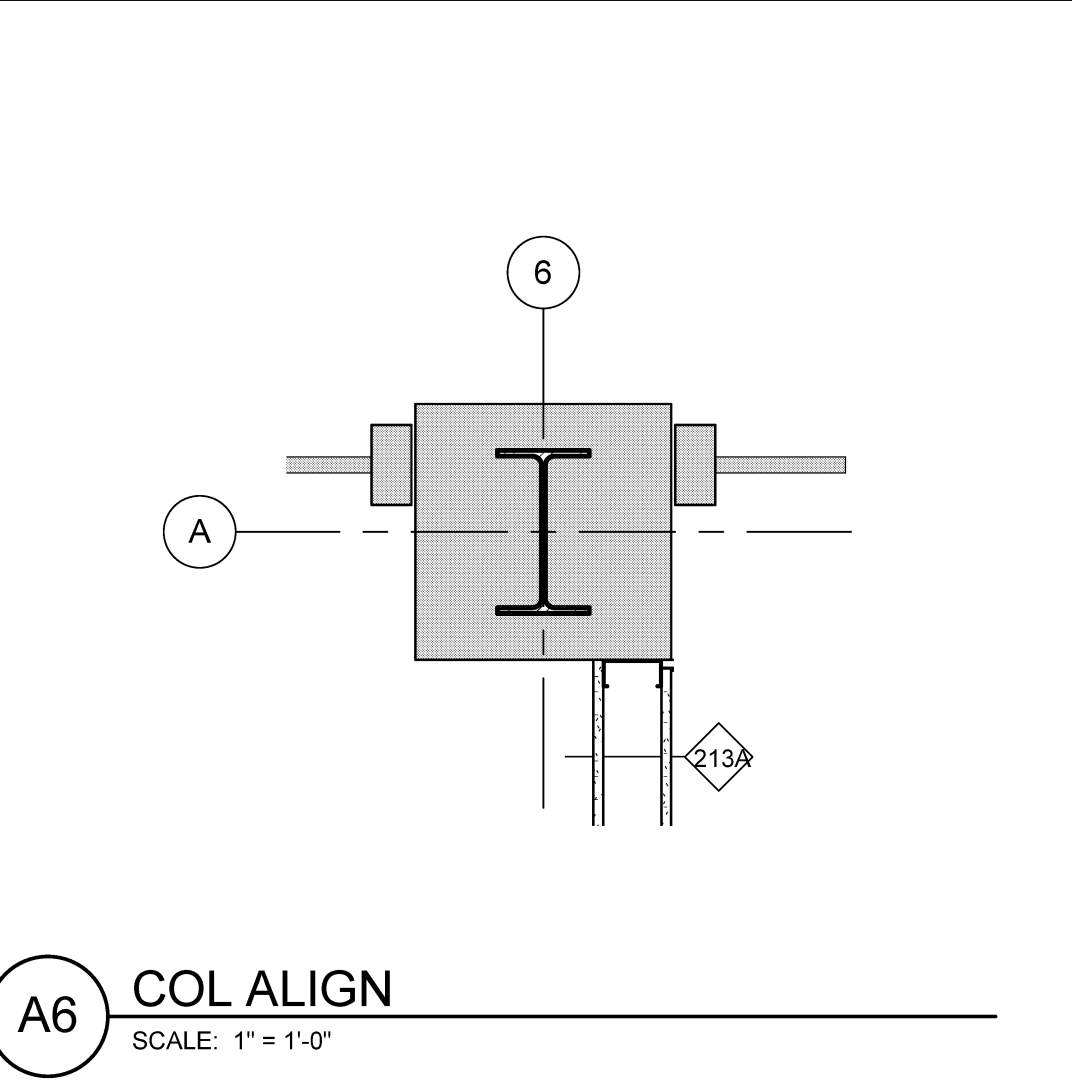
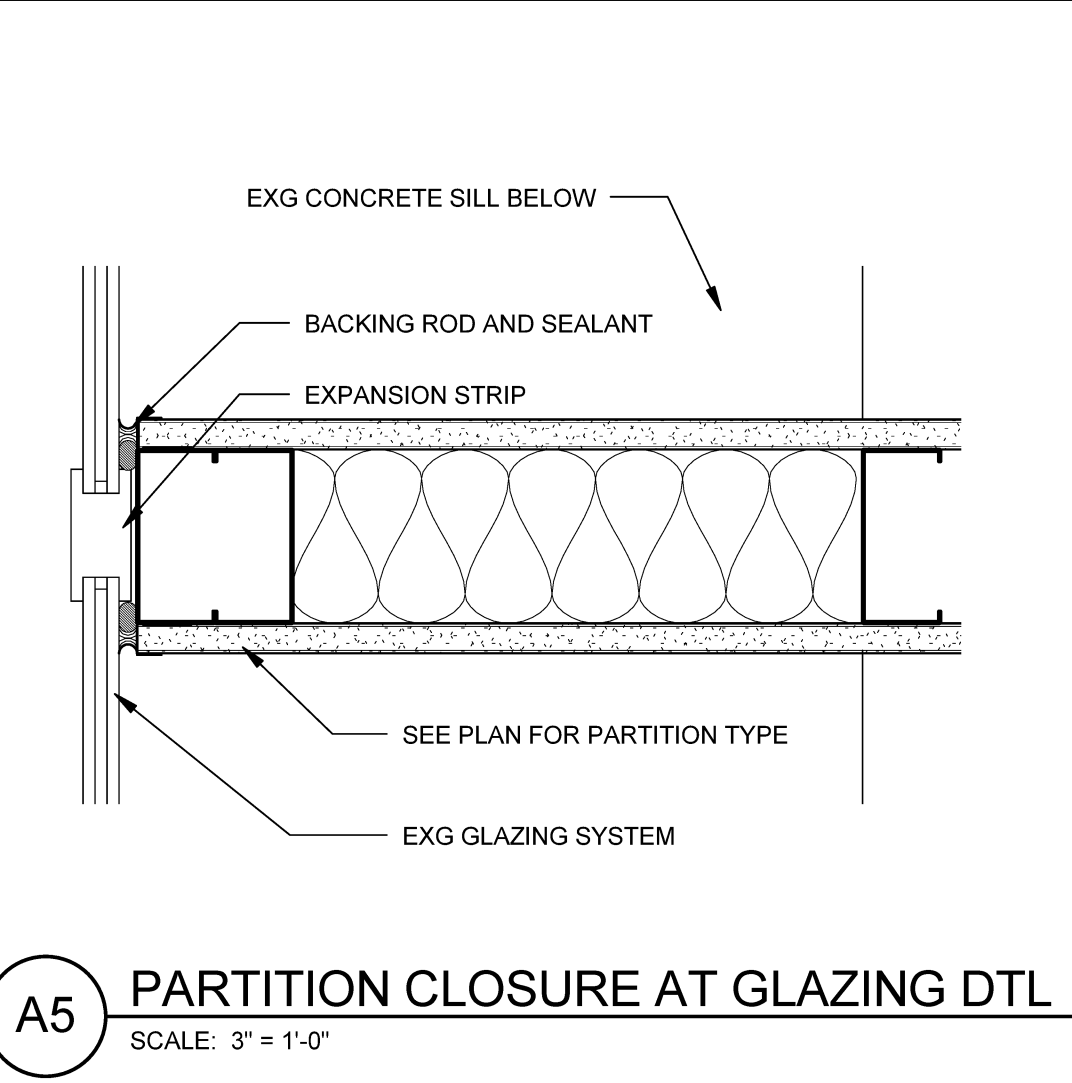
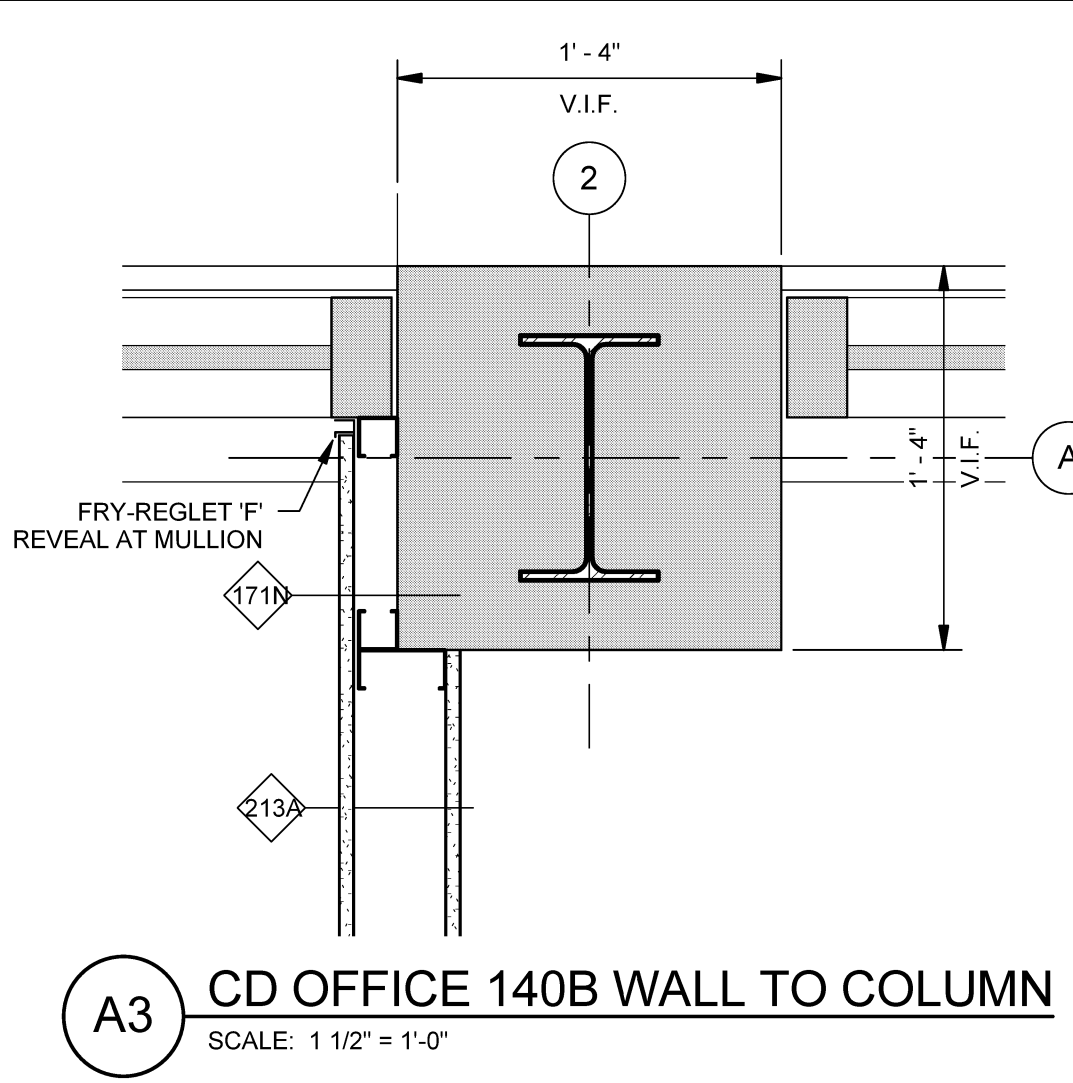
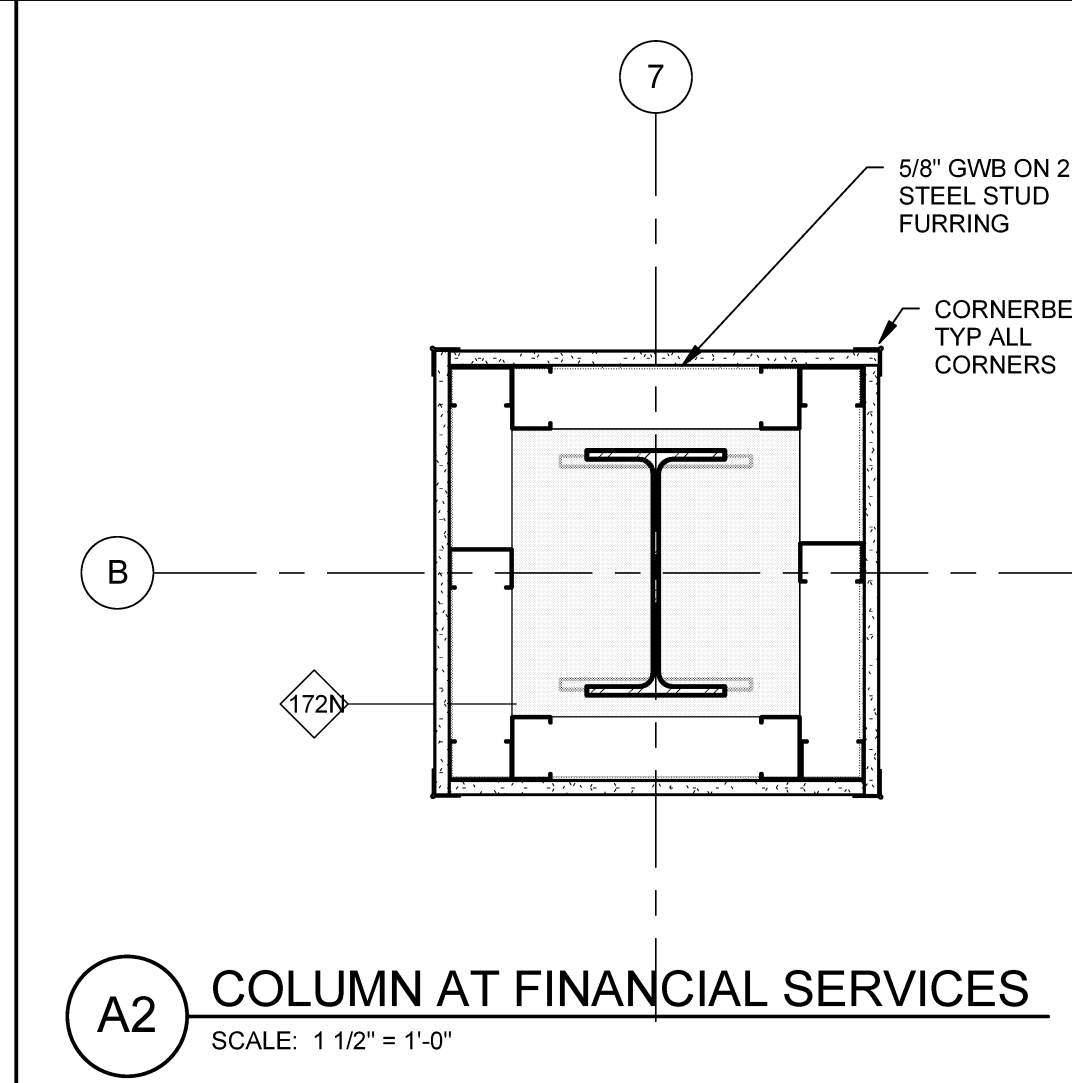
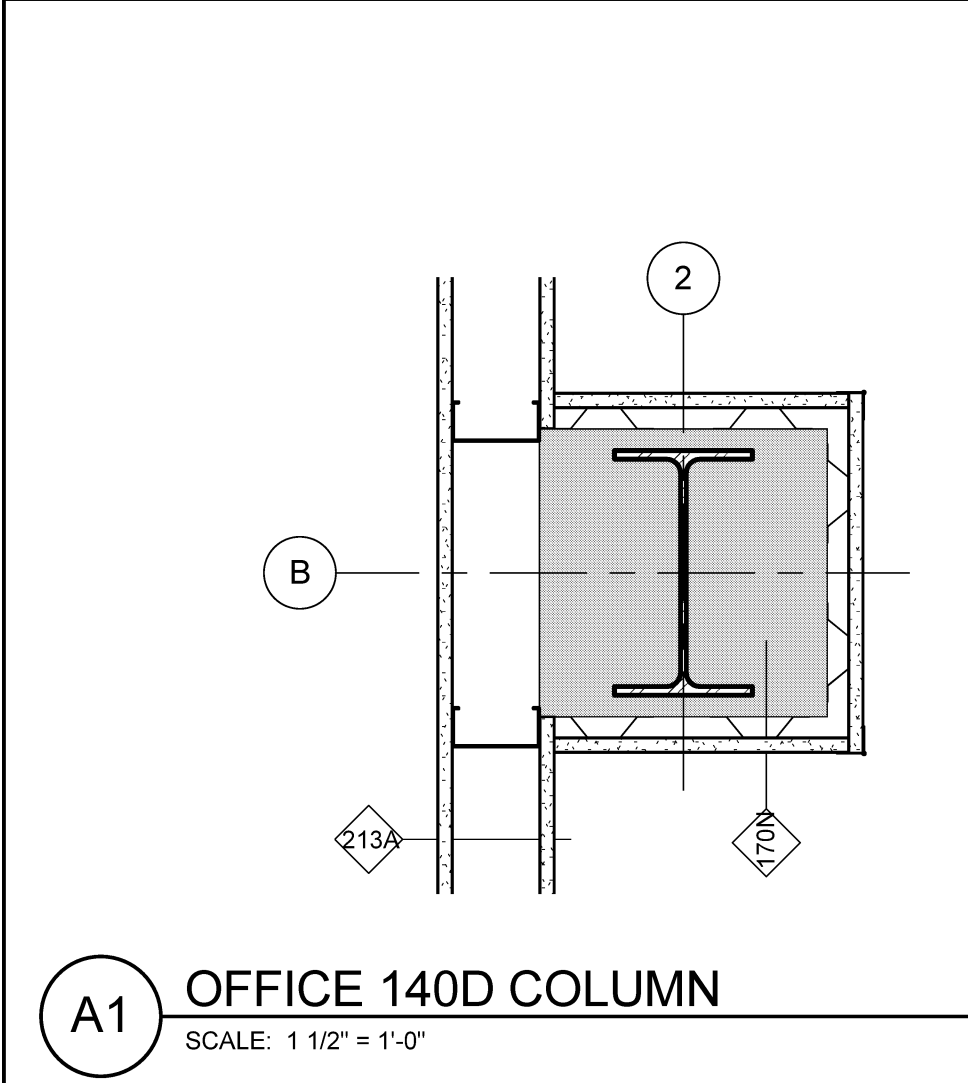
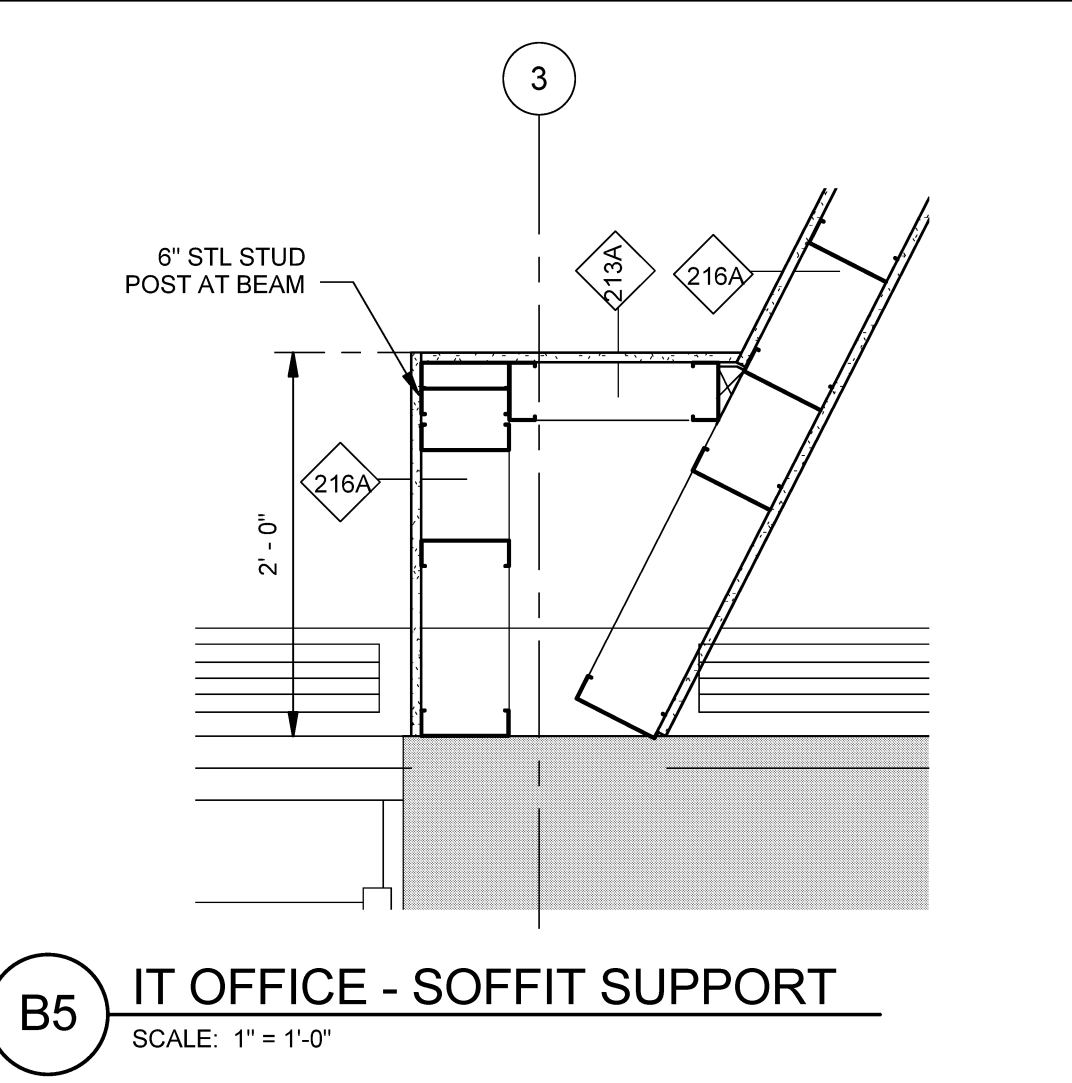
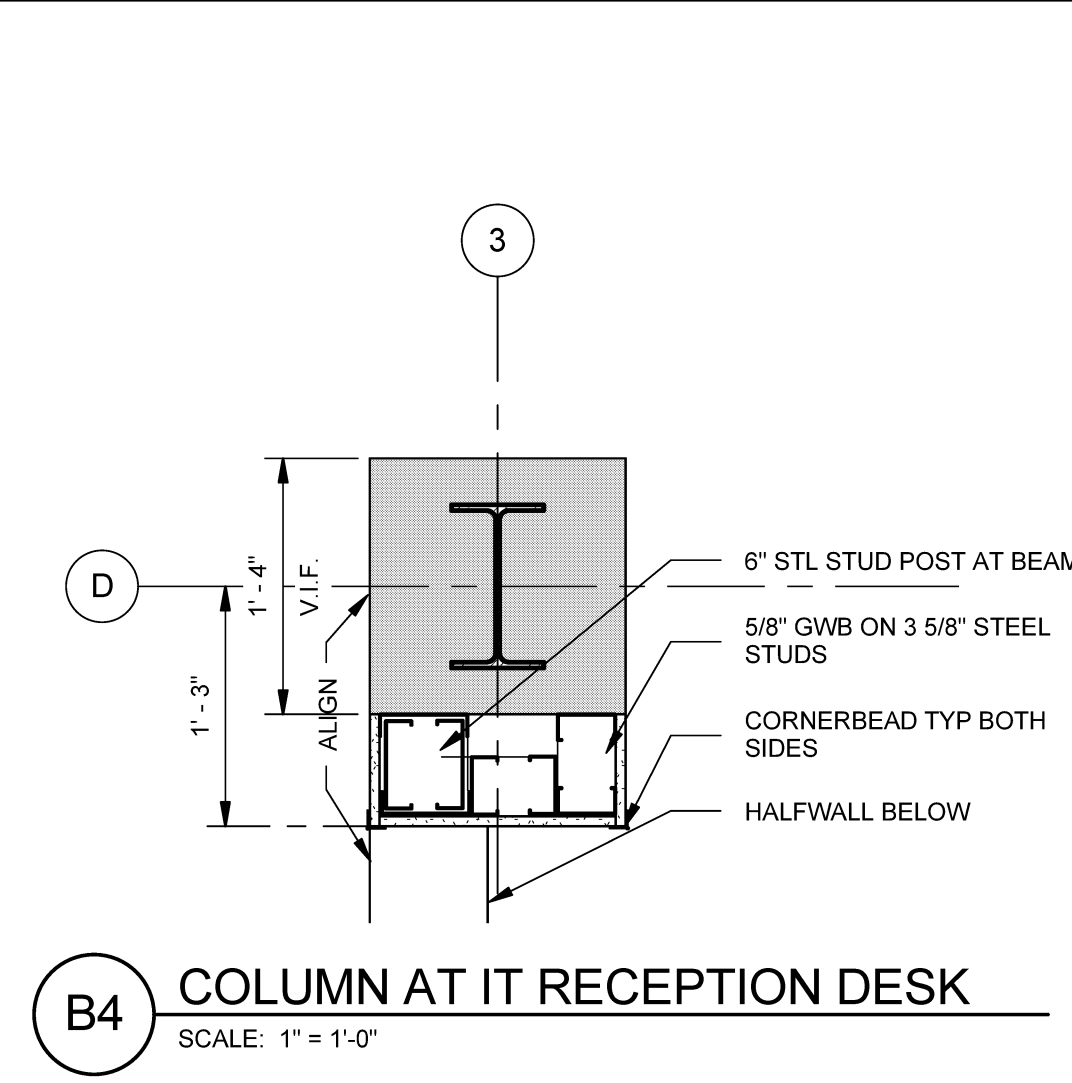
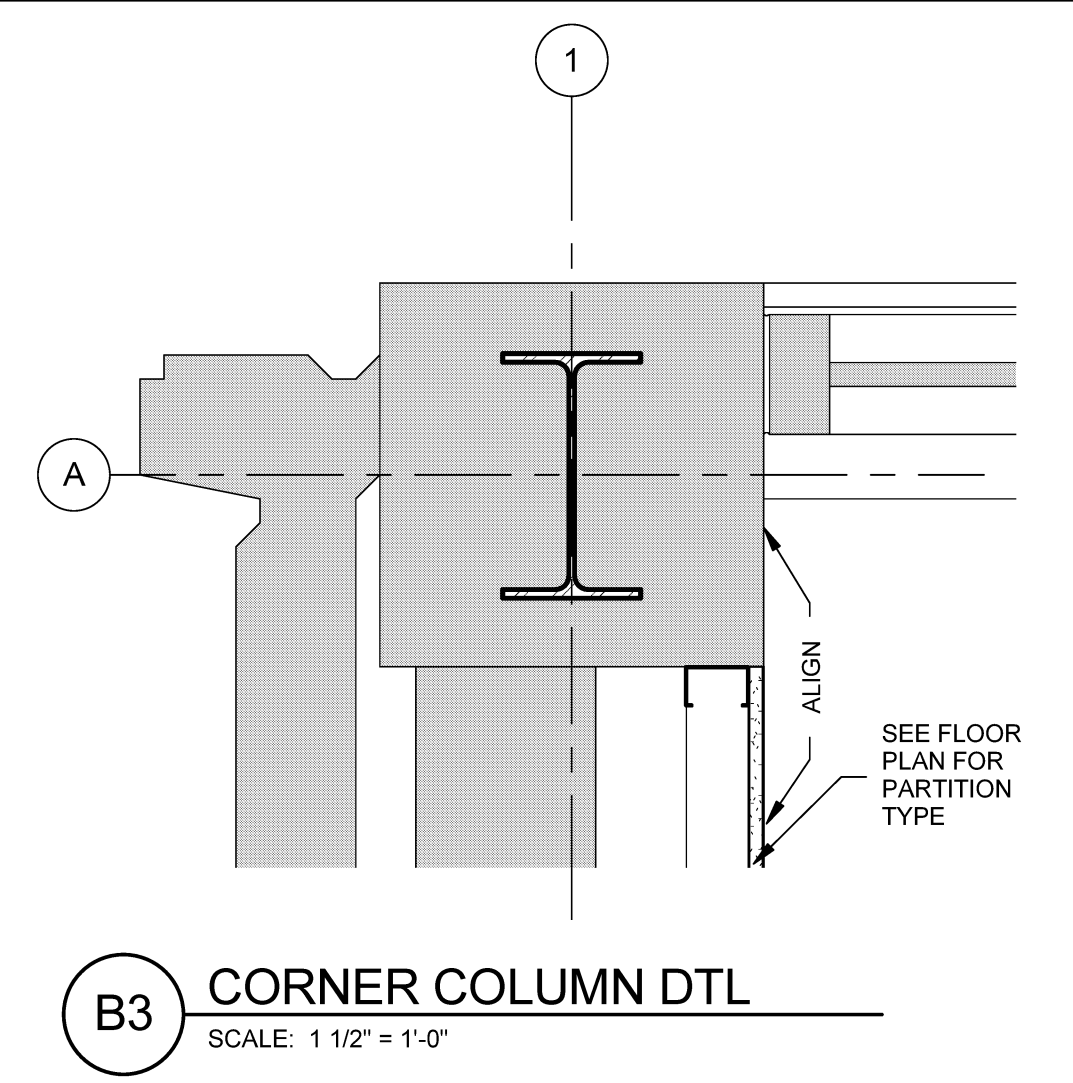
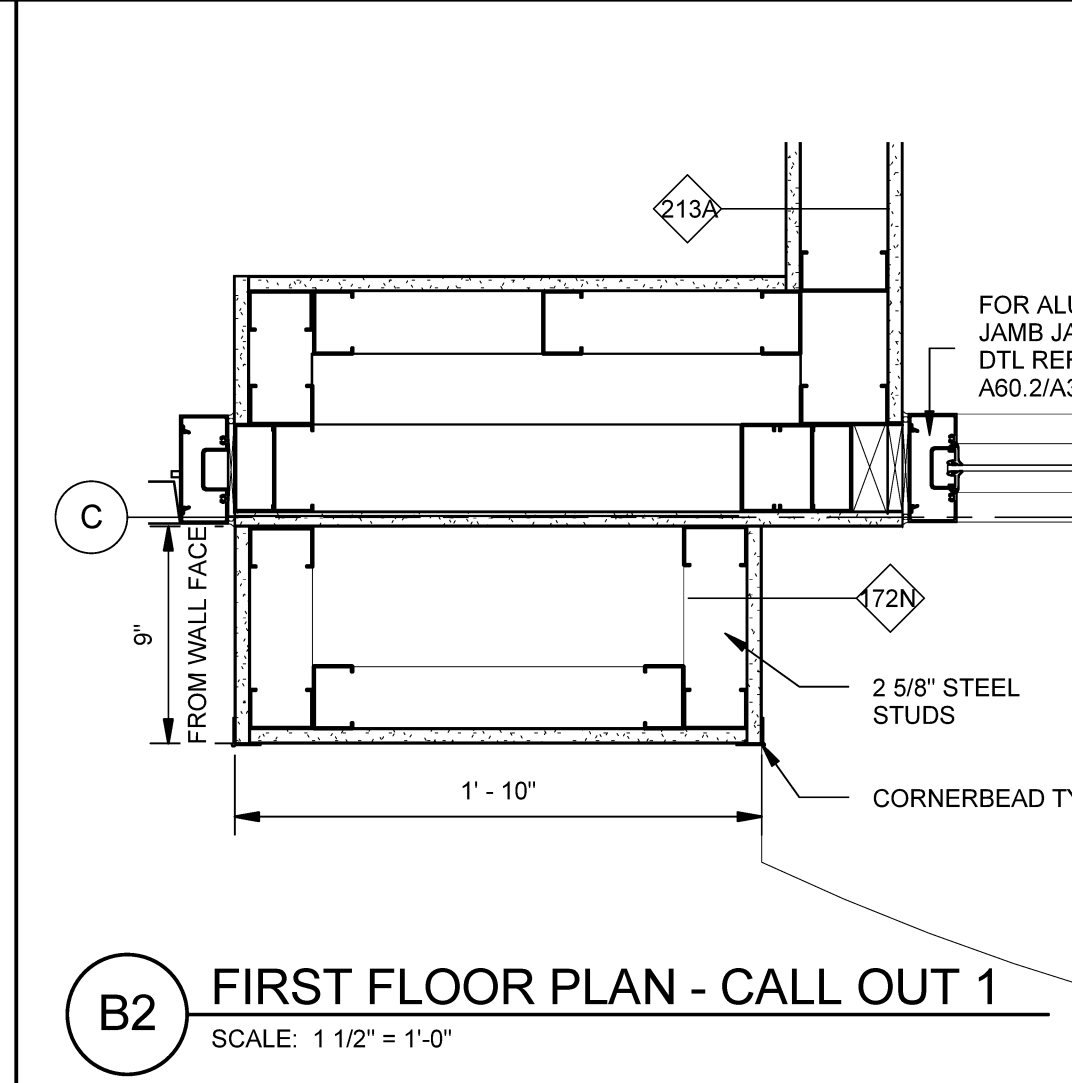
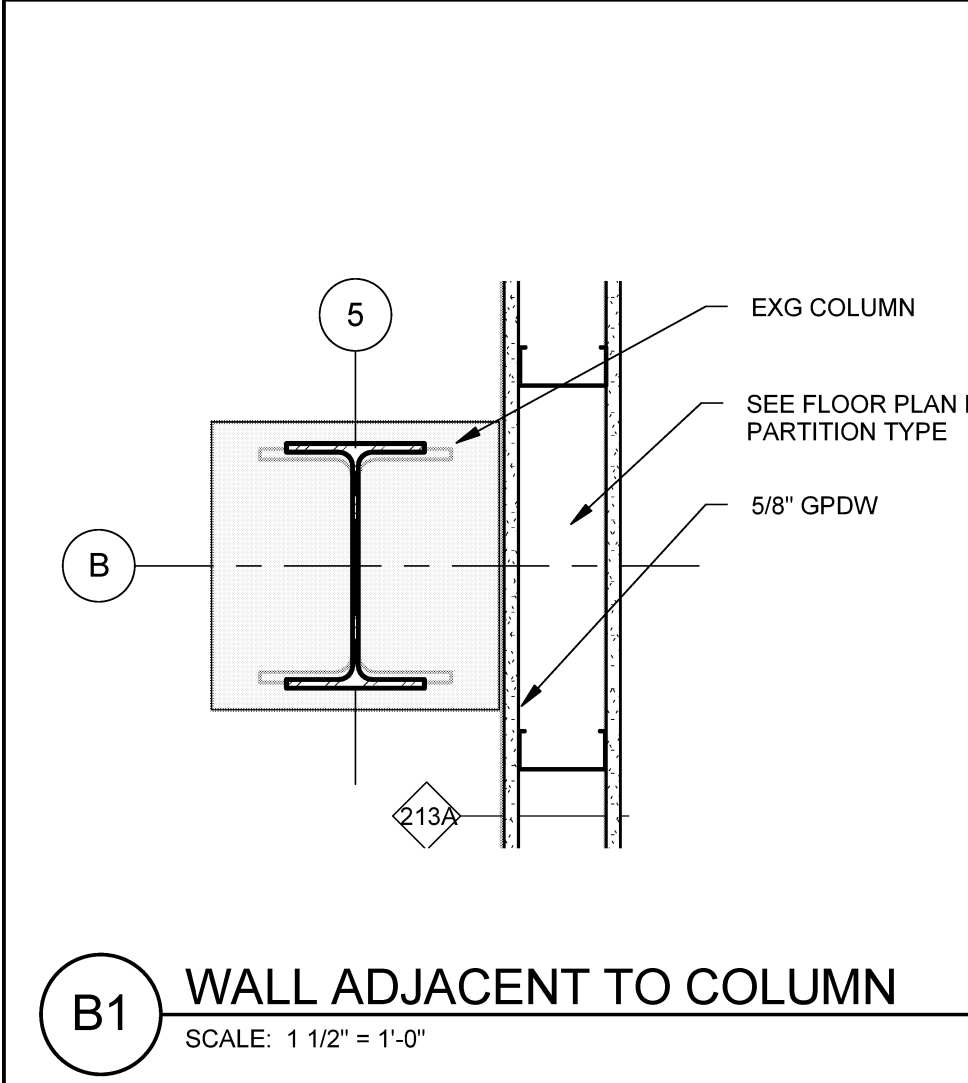
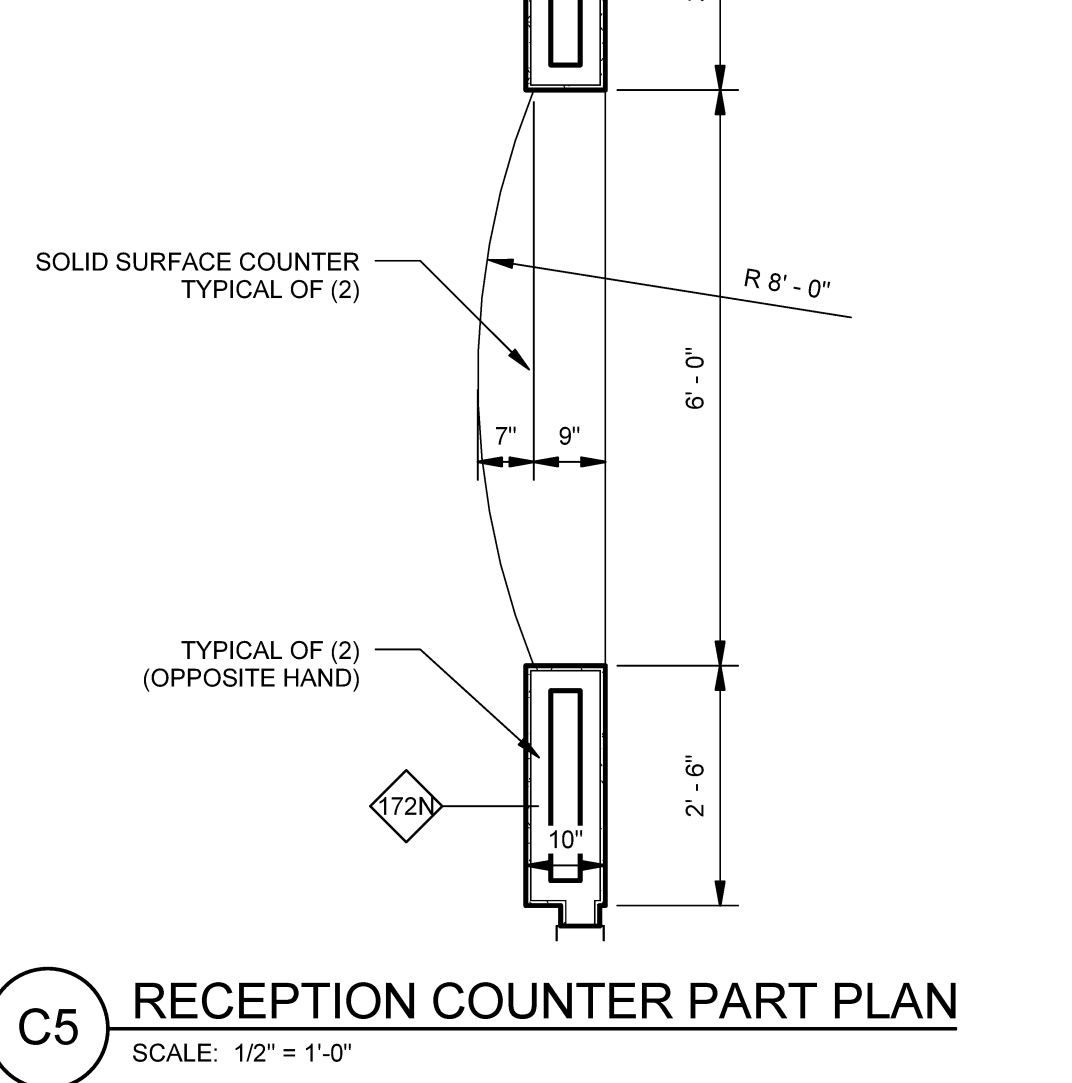
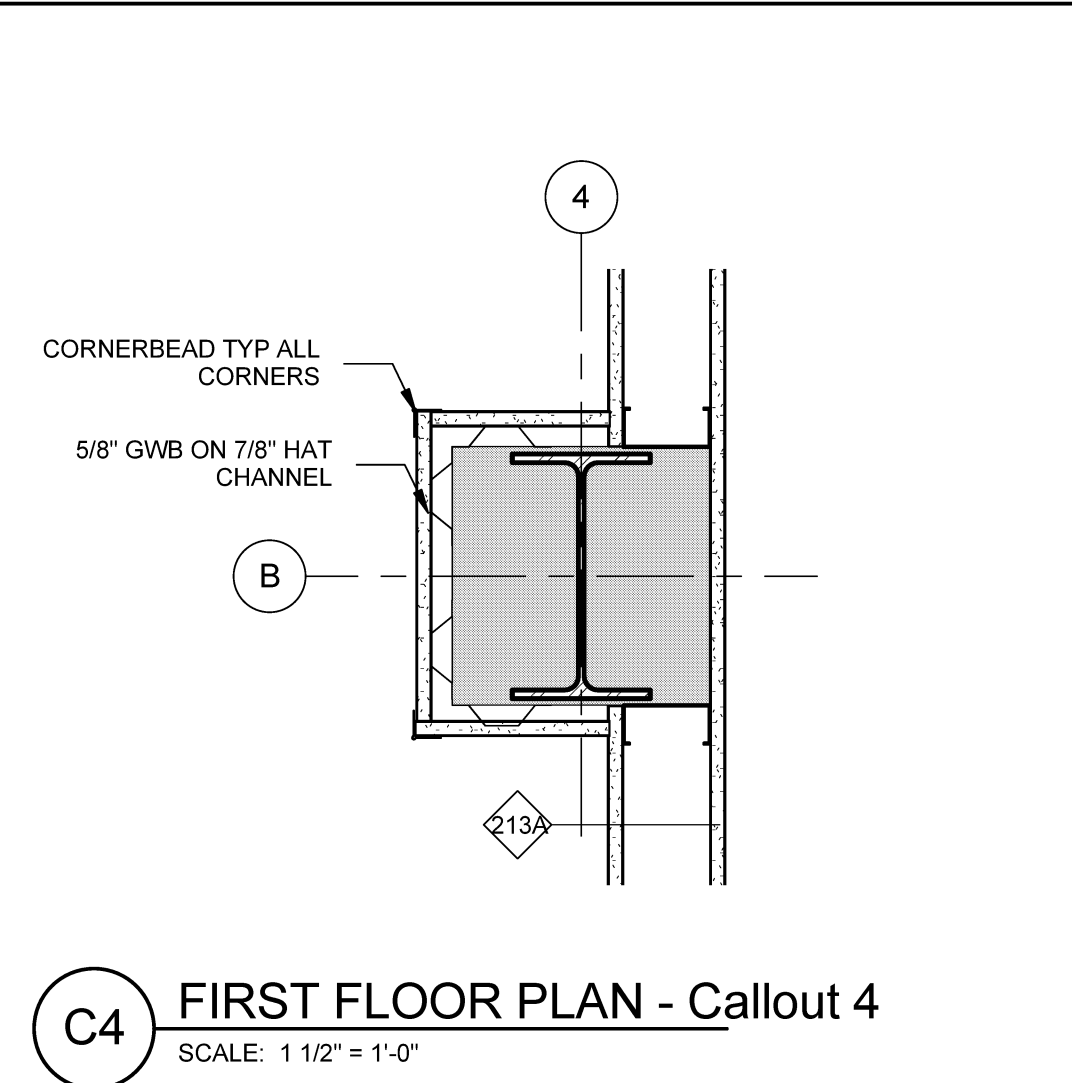
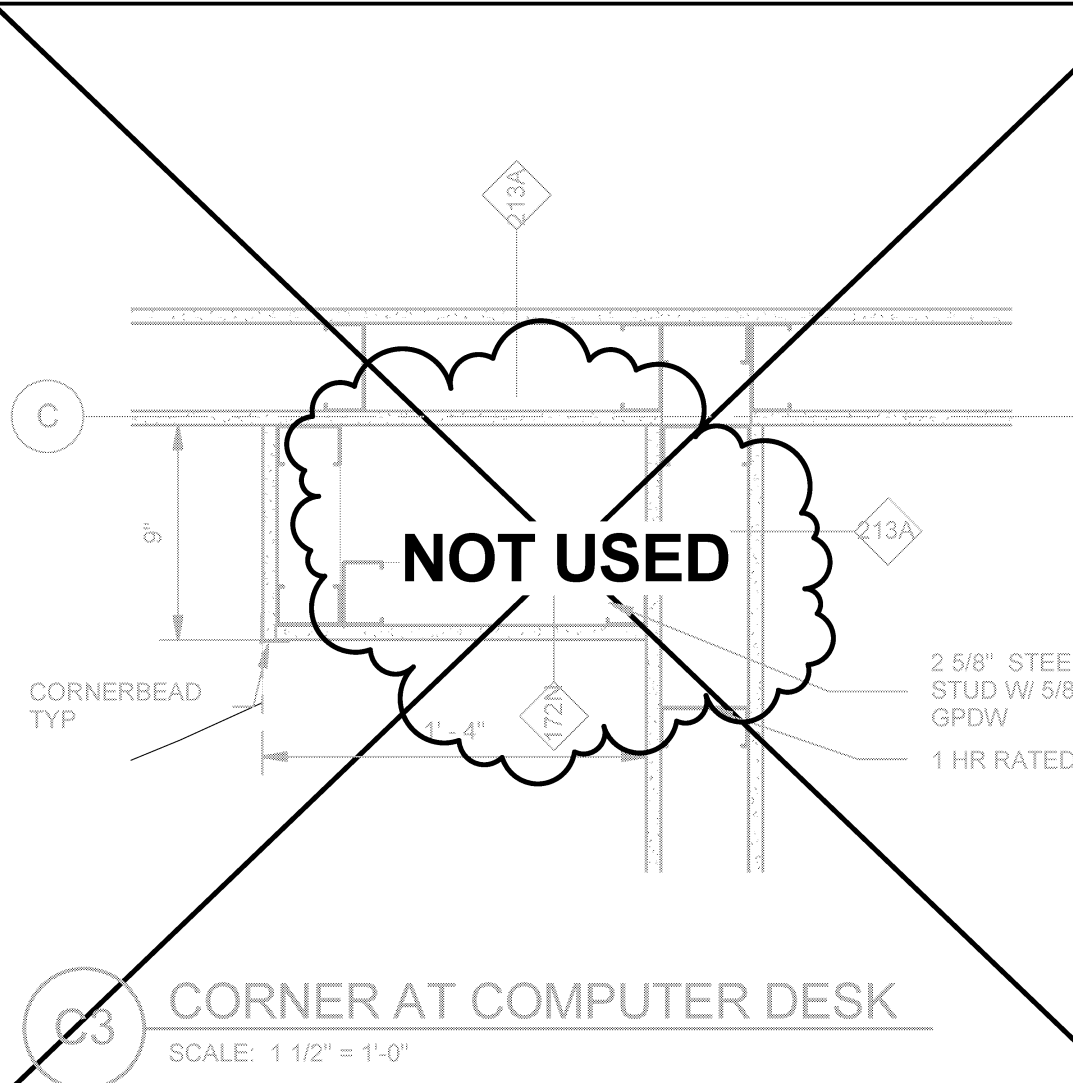
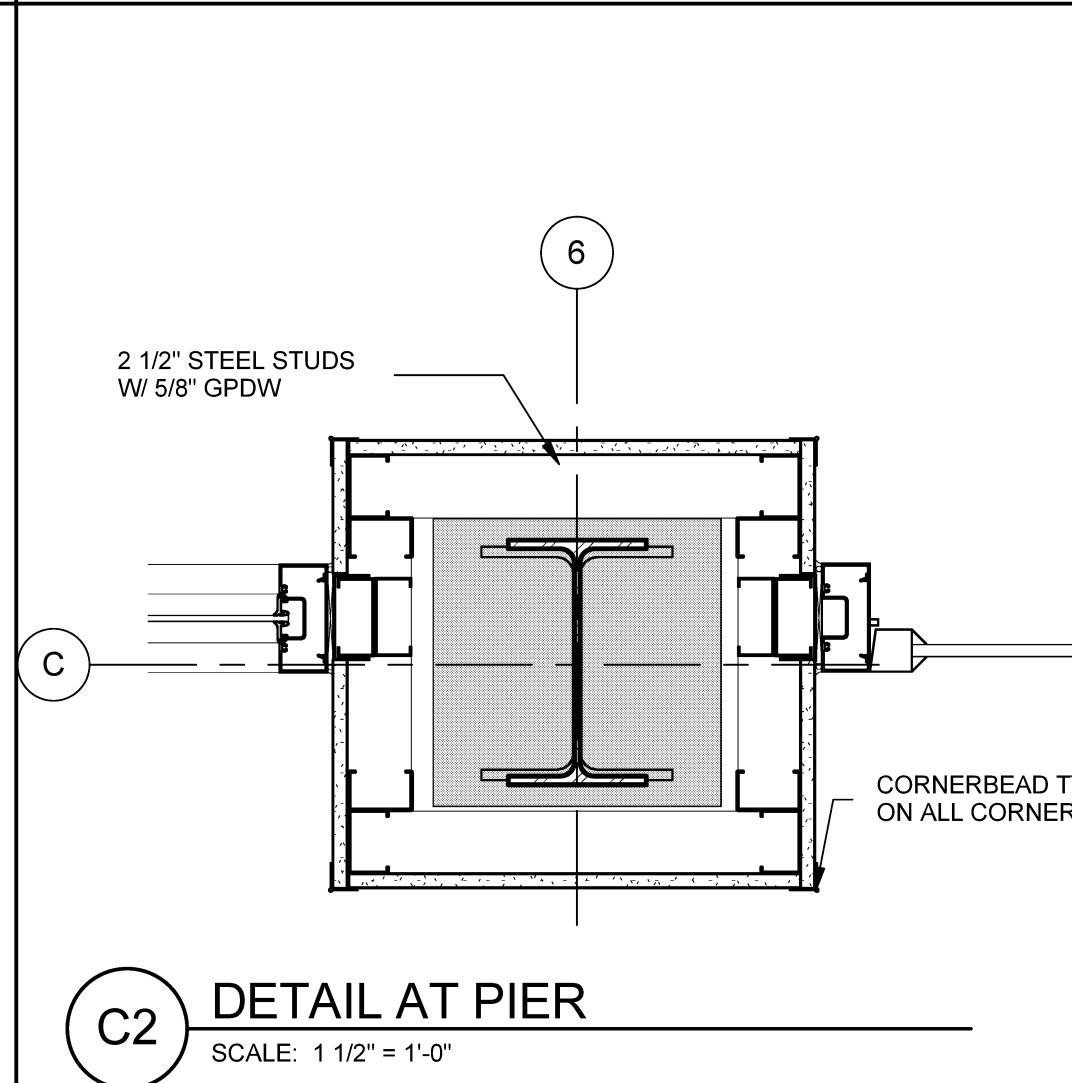
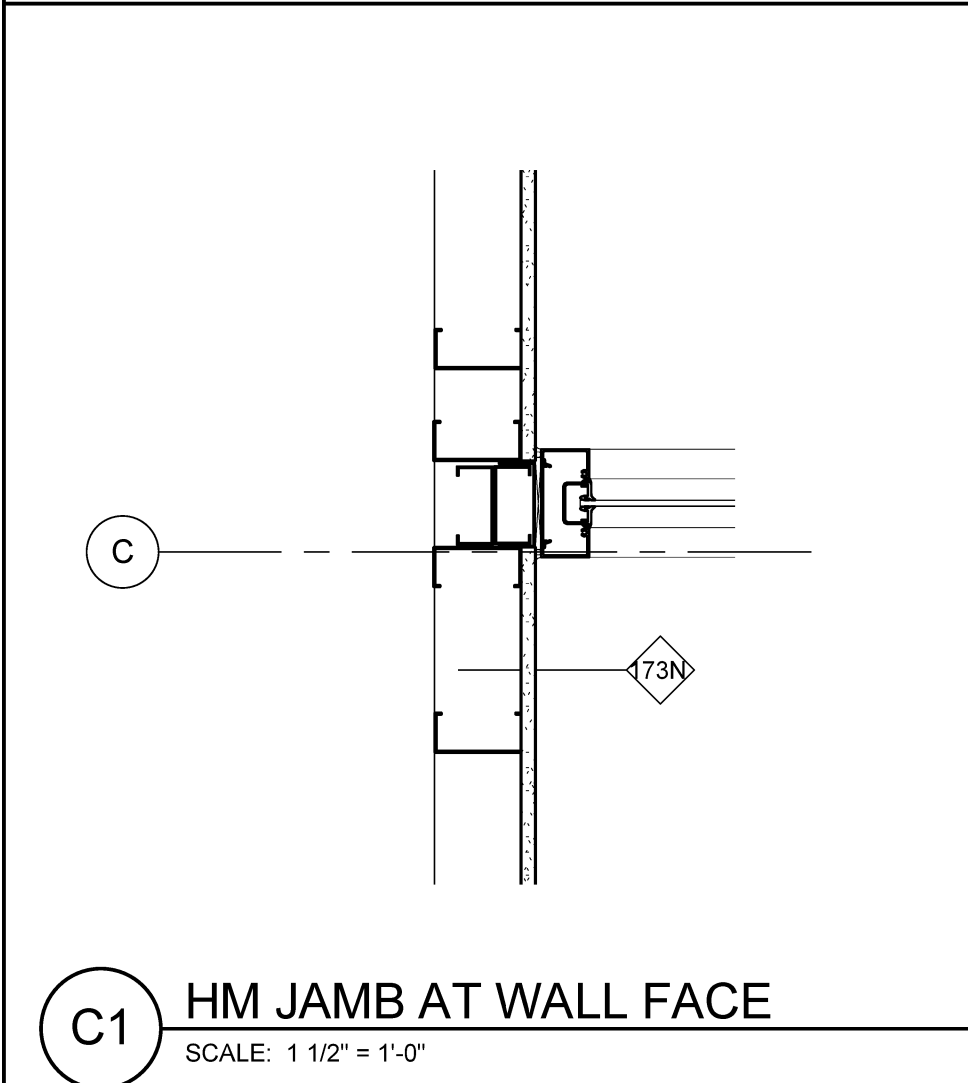
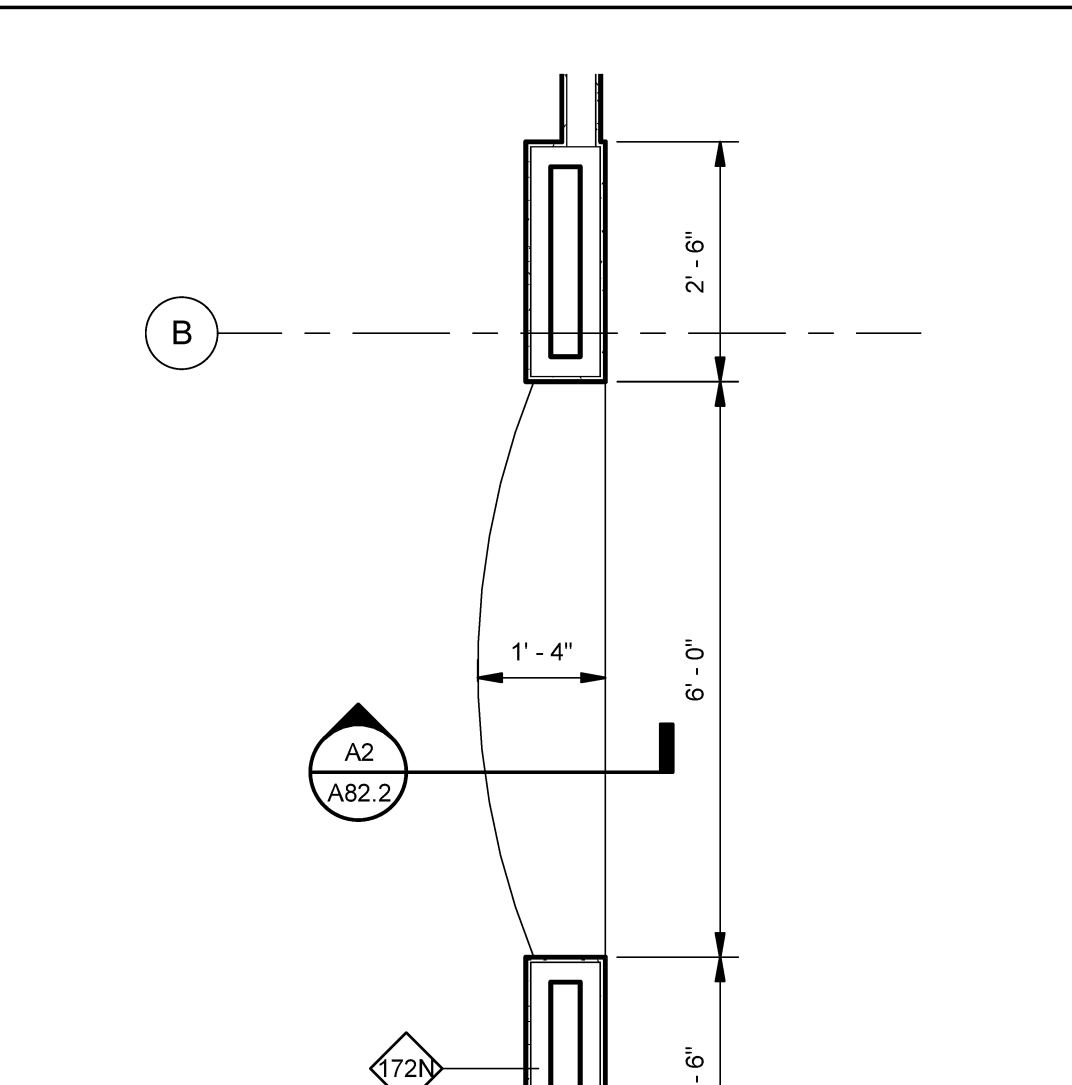
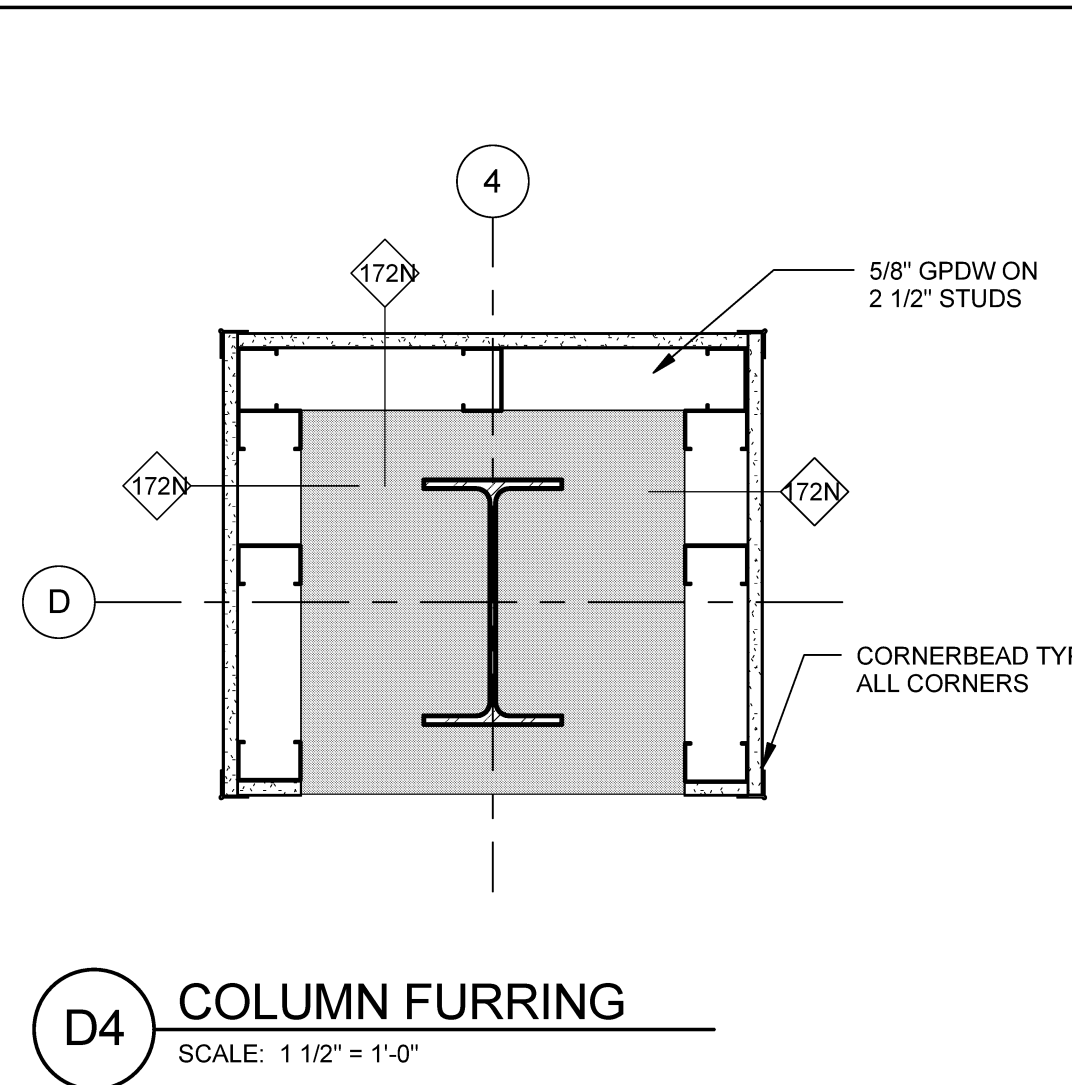
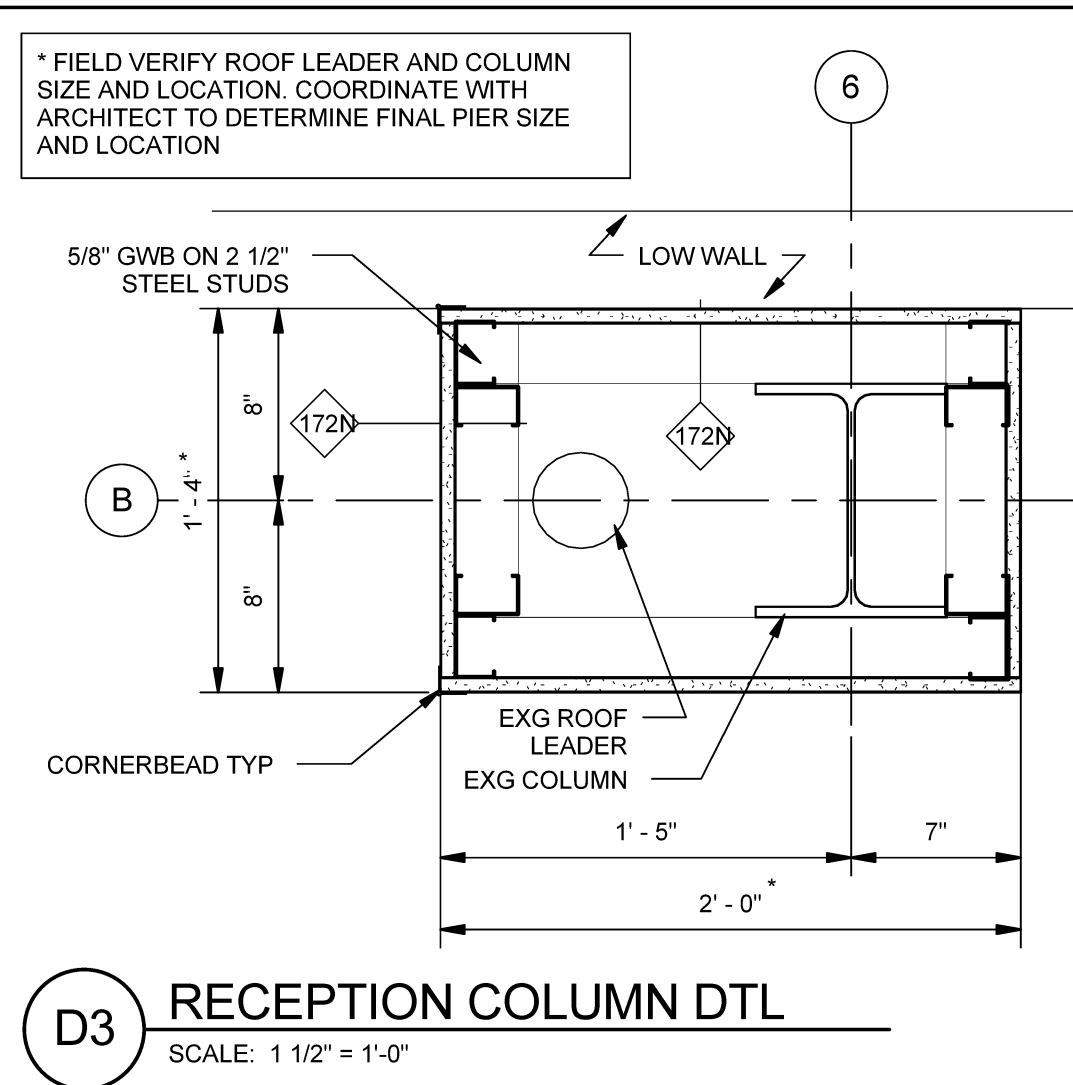
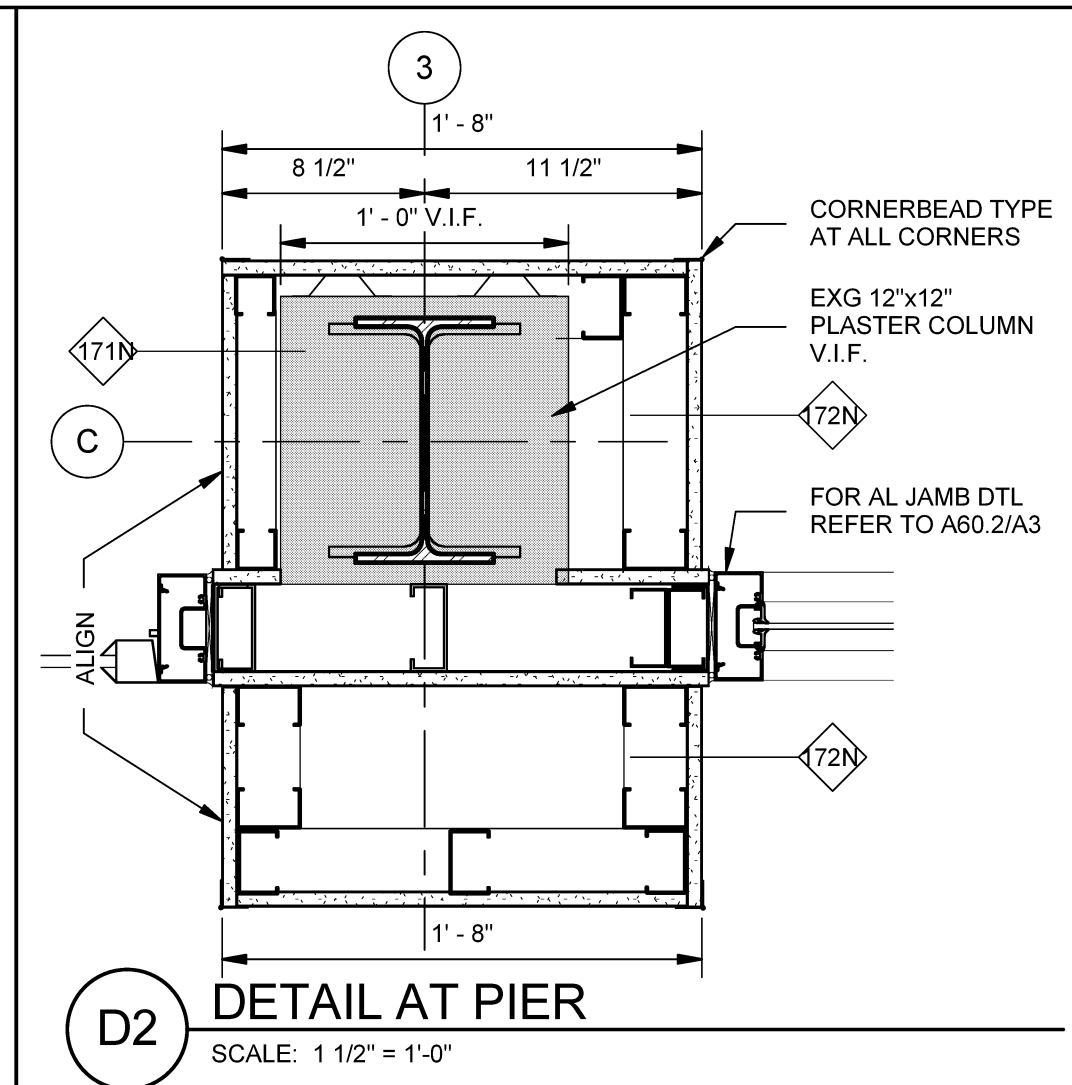
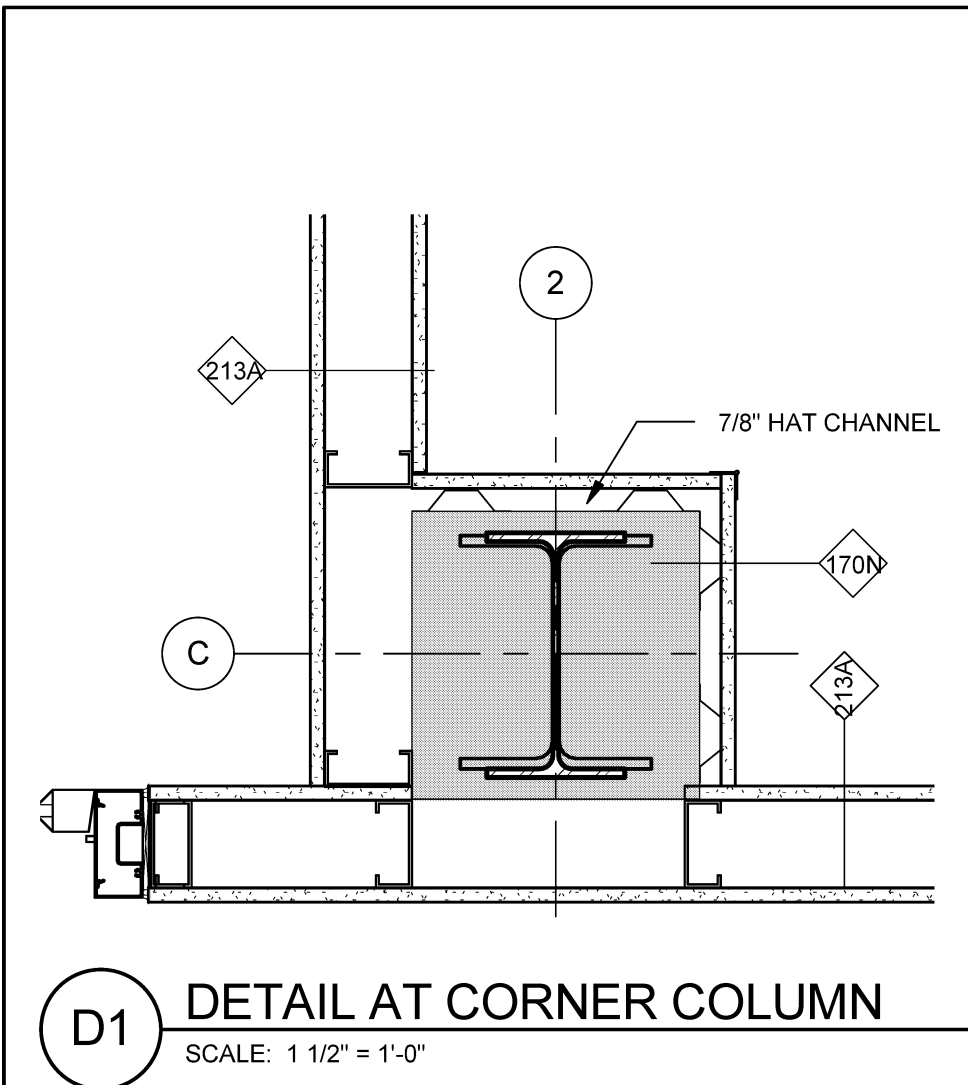


Drawing Scales As indicated

PA / PE: MDL © 2015 Harriman Associates
Drawn By: MR

INTERIOR DETAILS

A82.1



Plot Date: 9/25/2015 4:20:57 PM