

HARRIMAN

AUBURN PORTLAND MANCHESTER

UNIVERSITY OF SOUTHERN MAINE DEPARTMENT REORGANIZATION PROJECT 2015-011

PORTLAND, MAINE

Harriman Project No. 15457

Key Plan

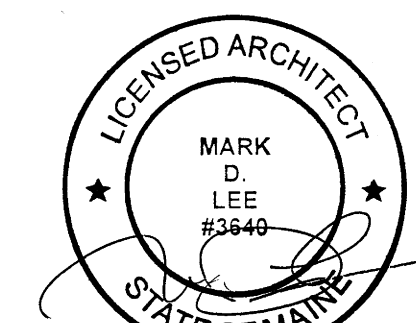
Proj North



True North



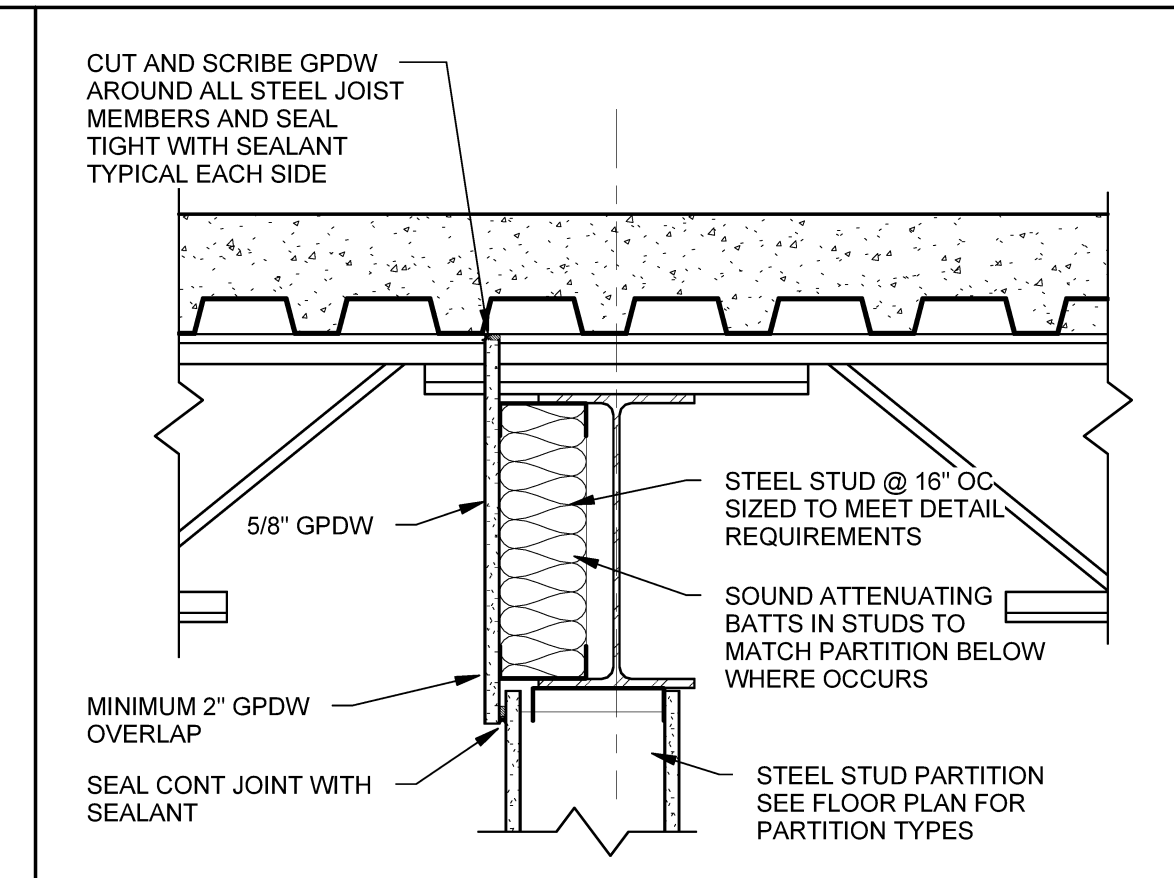
Issues and Revisions		
Mark	Date	Description
-	07-09-15	75% REVIEW
-	07-23-15	100% REVIEW
-	08-03-15	OWNER REVIEW
-	08-10-15	ISSUED FOR BID
1	09-25-15	ISSUED FOR PERMIT



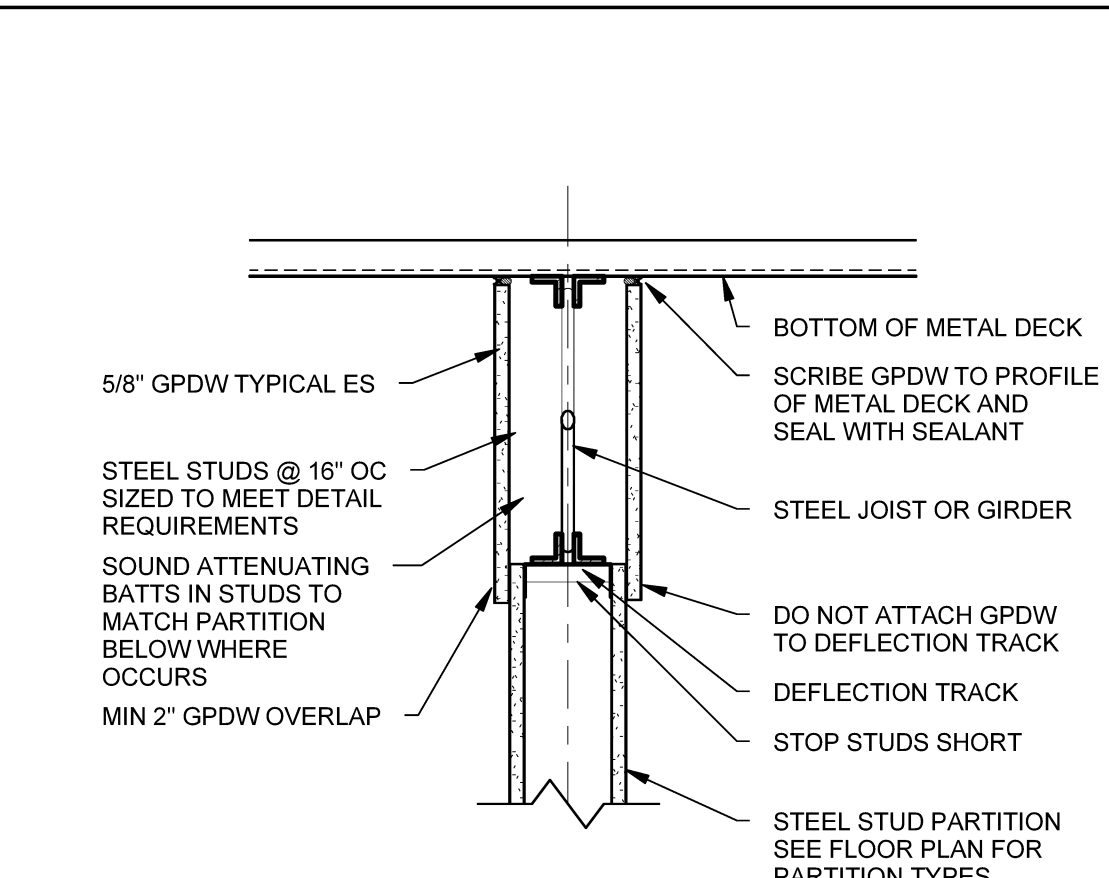
Drawing Scales	
As indicated	-
PA / PE:	MDL
Drawn By:	ERP
© 2015	Harriman Associates

CONSTRUCTION SYSTEMS AND DETAILS

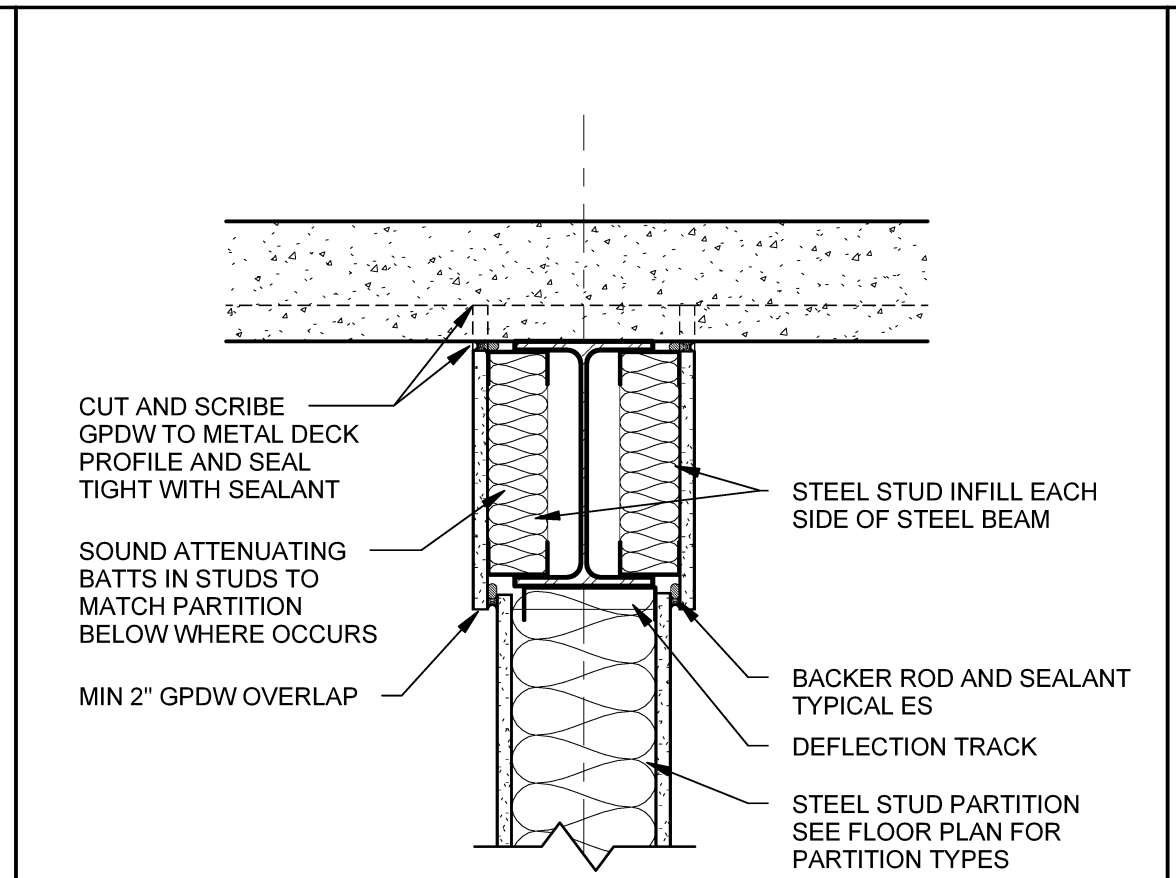
A40.2



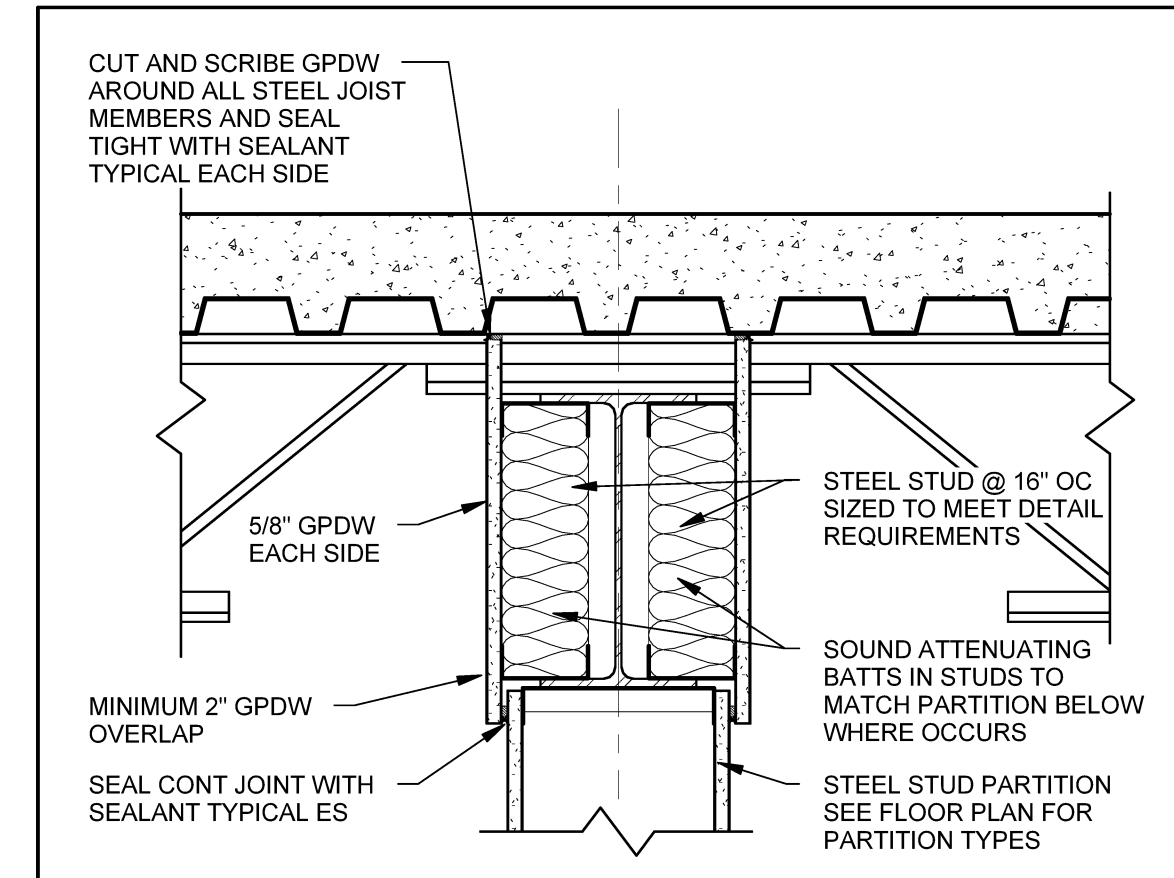
D4 PARALLEL TO BEAM / PERP TO JOIST 2
SCALE: 1 1/2" = 1'-0"



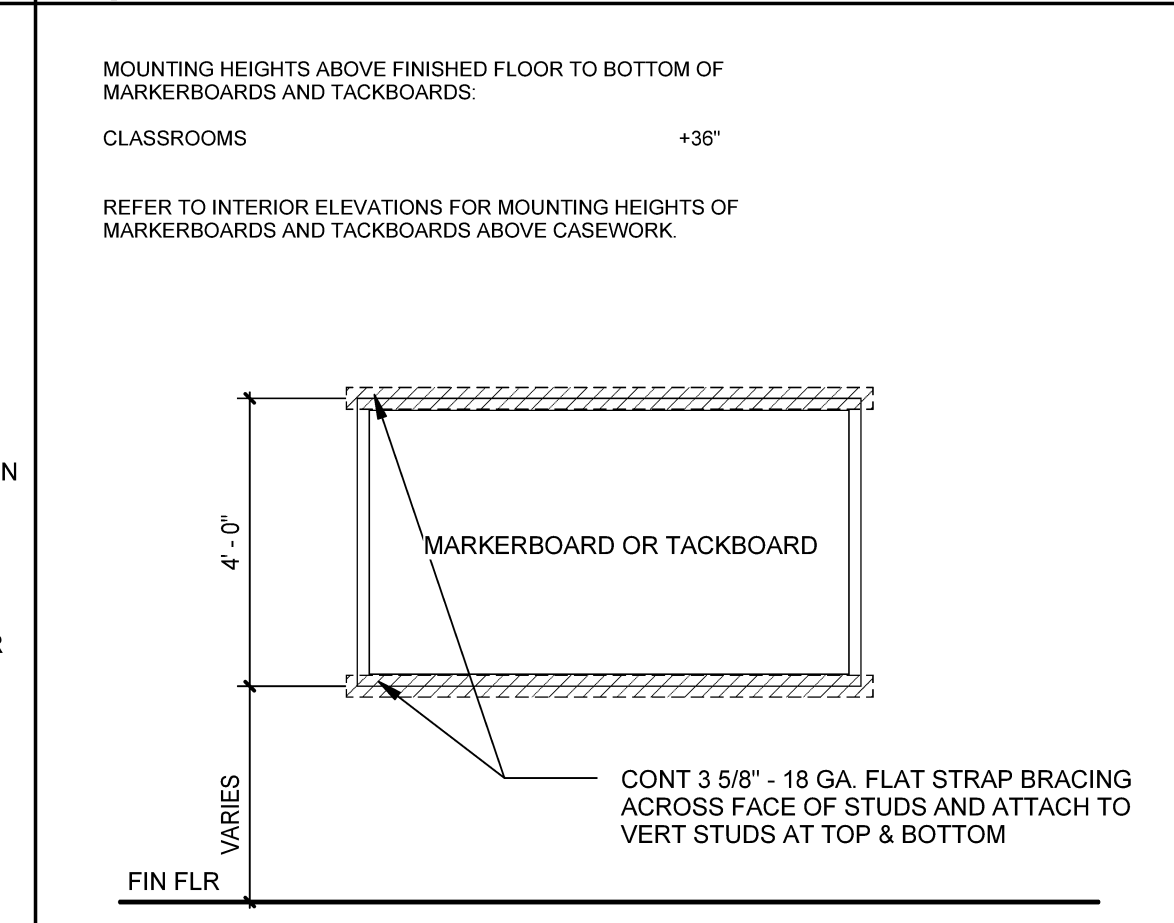
D3 PARALLEL TO UNDERSIDE OF STL JOIST
SCALE: 1 1/2" = 1'-0"



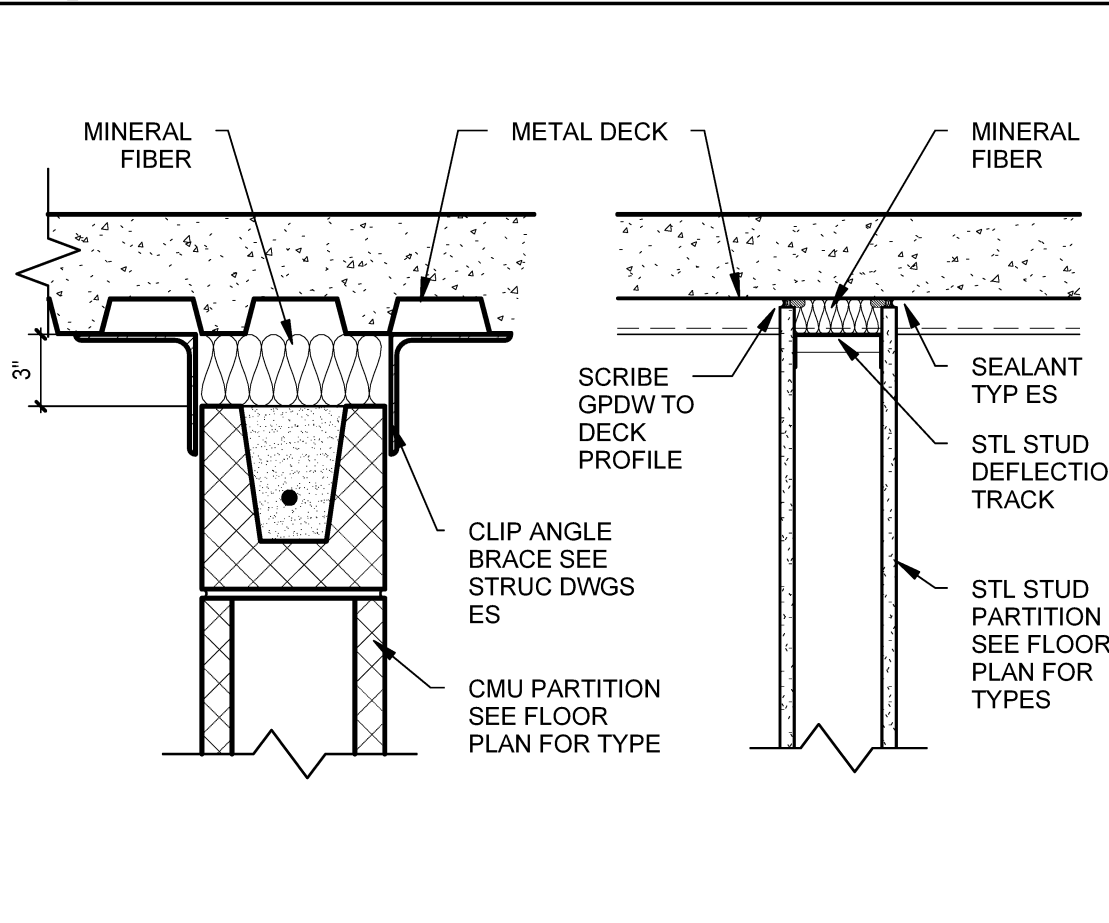
D2 PARALLEL TO COMPOSITE STL BEAMS
SCALE: 1 1/2" = 1'-0"



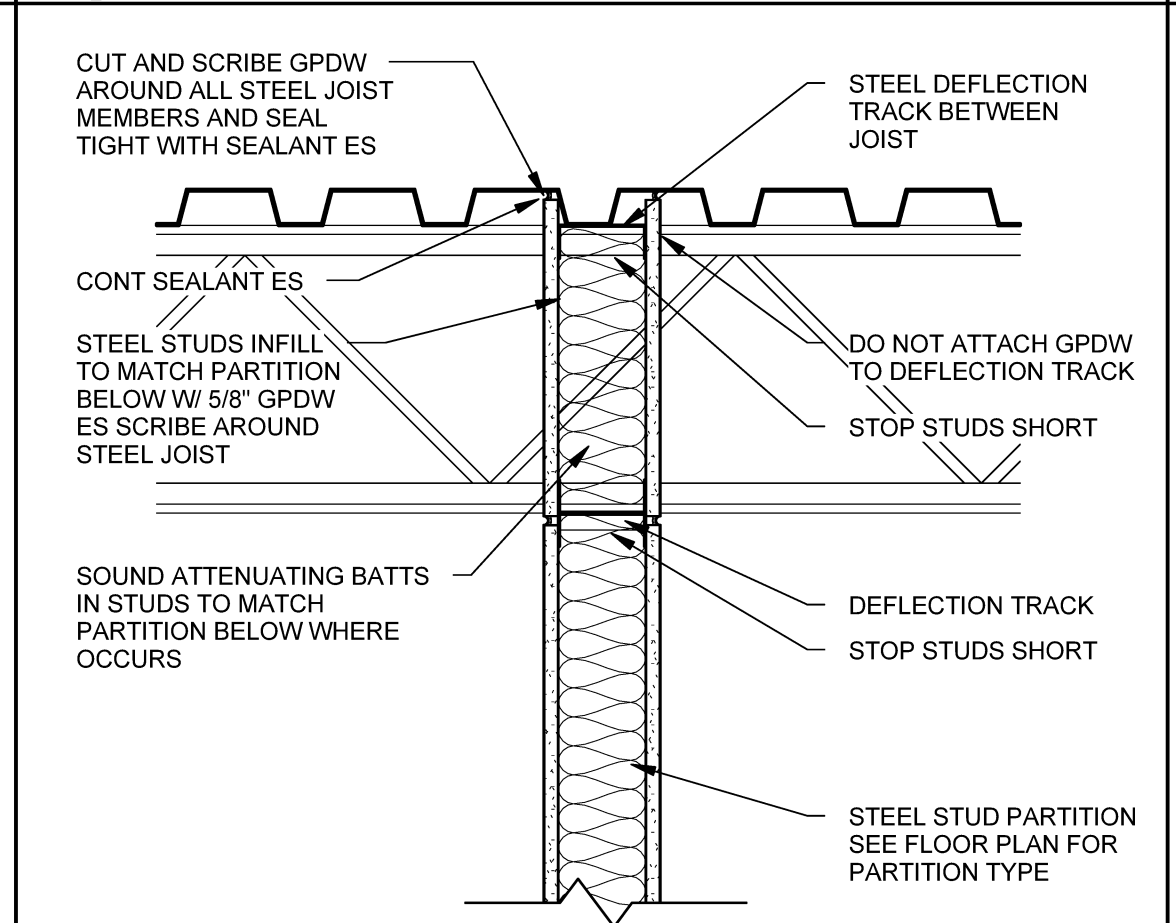
D1 PARALLEL TO STL BEAM / PERP TO JOIST
SCALE: 1 1/2" = 1'-0"



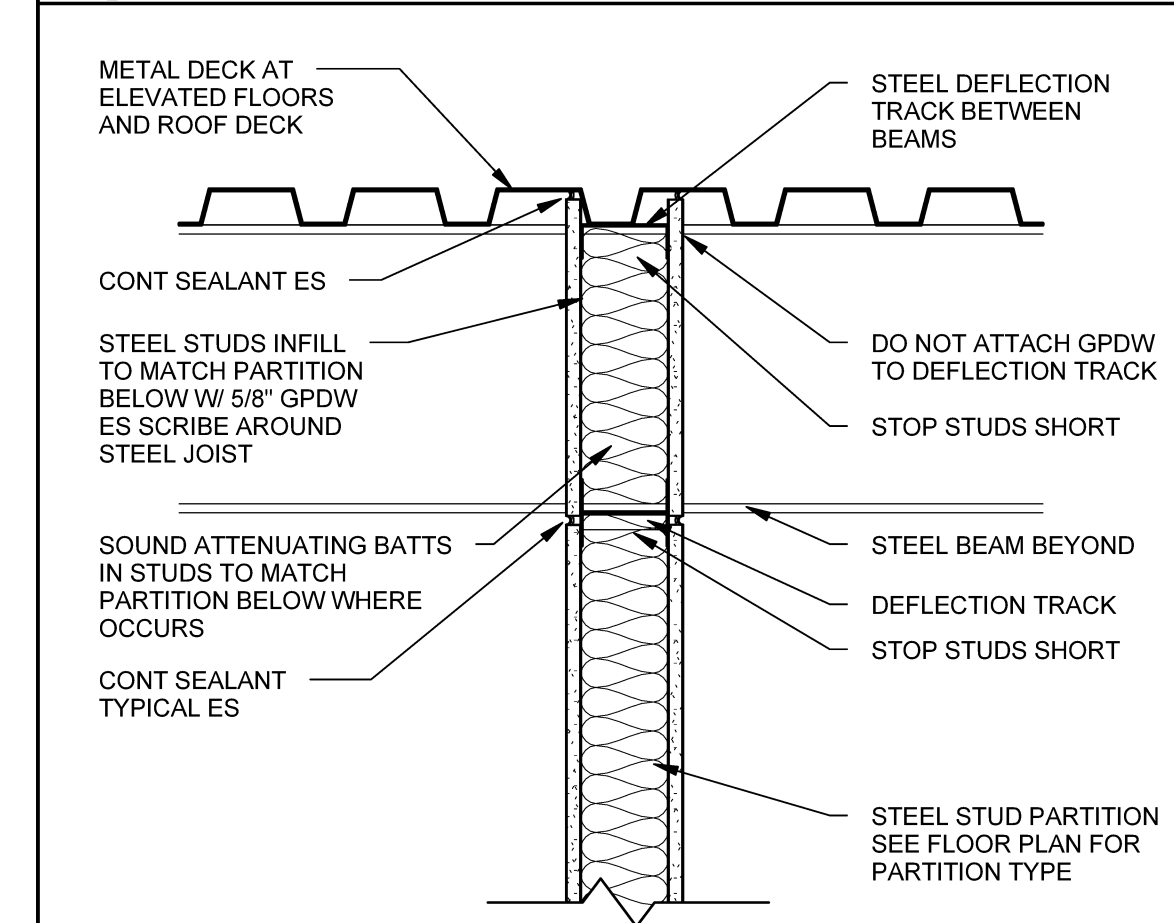
C4 MB/TB MOUNTING HEIGHTS
SCALE: 3/8" = 1'-0"



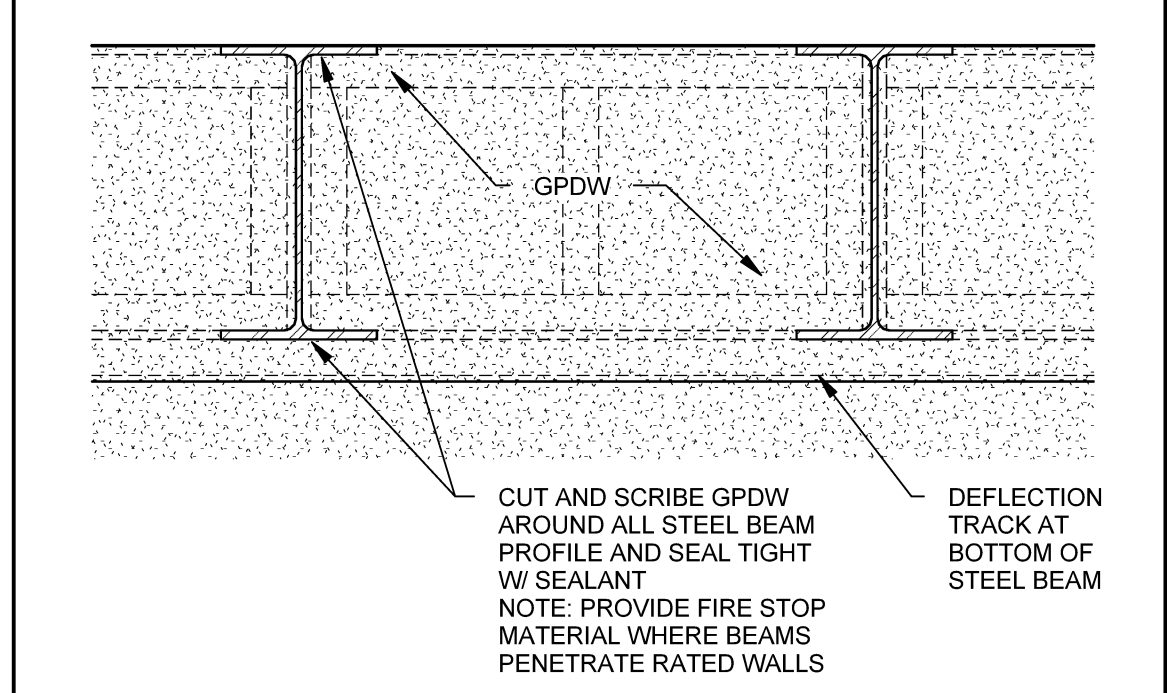
C3 PERPENDICULAR / PARALLEL TO DECK
SCALE: 1 1/2" = 1'-0"



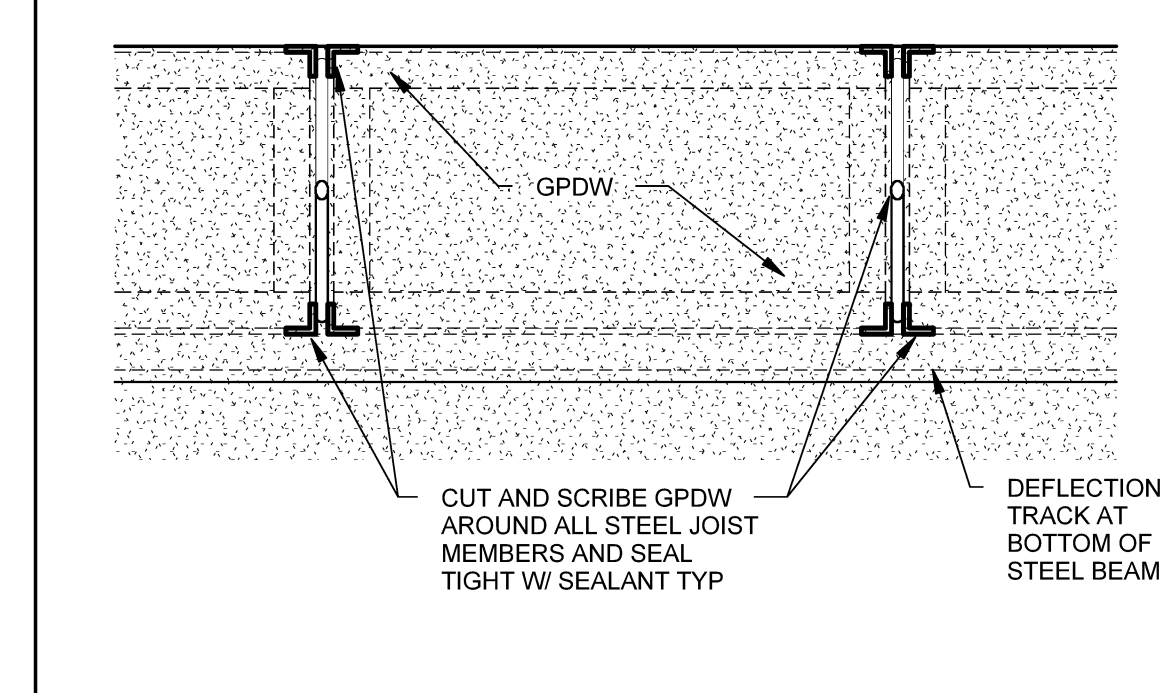
C2 PERPENDICULAR TO STEEL JOIST
SCALE: 1 1/2" = 1'-0"



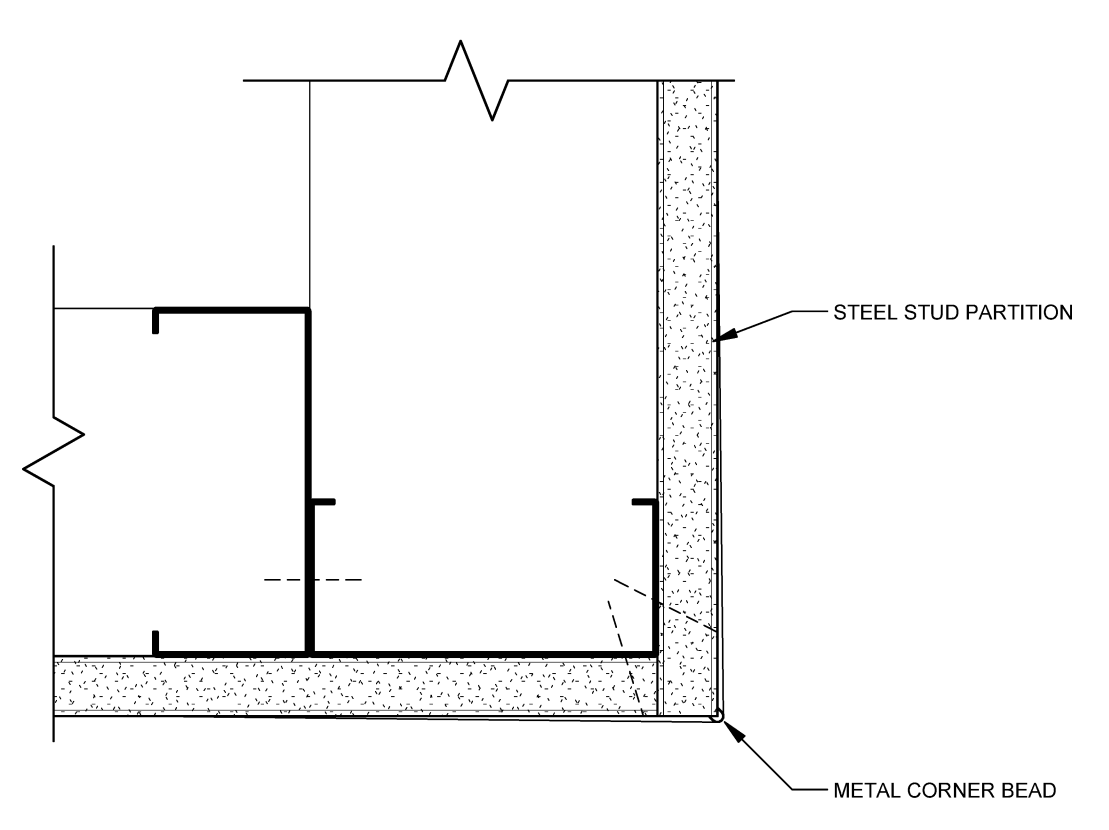
C1 PERPENDICULAR TO STEEL BEAMS
SCALE: 1 1/2" = 1'-0"



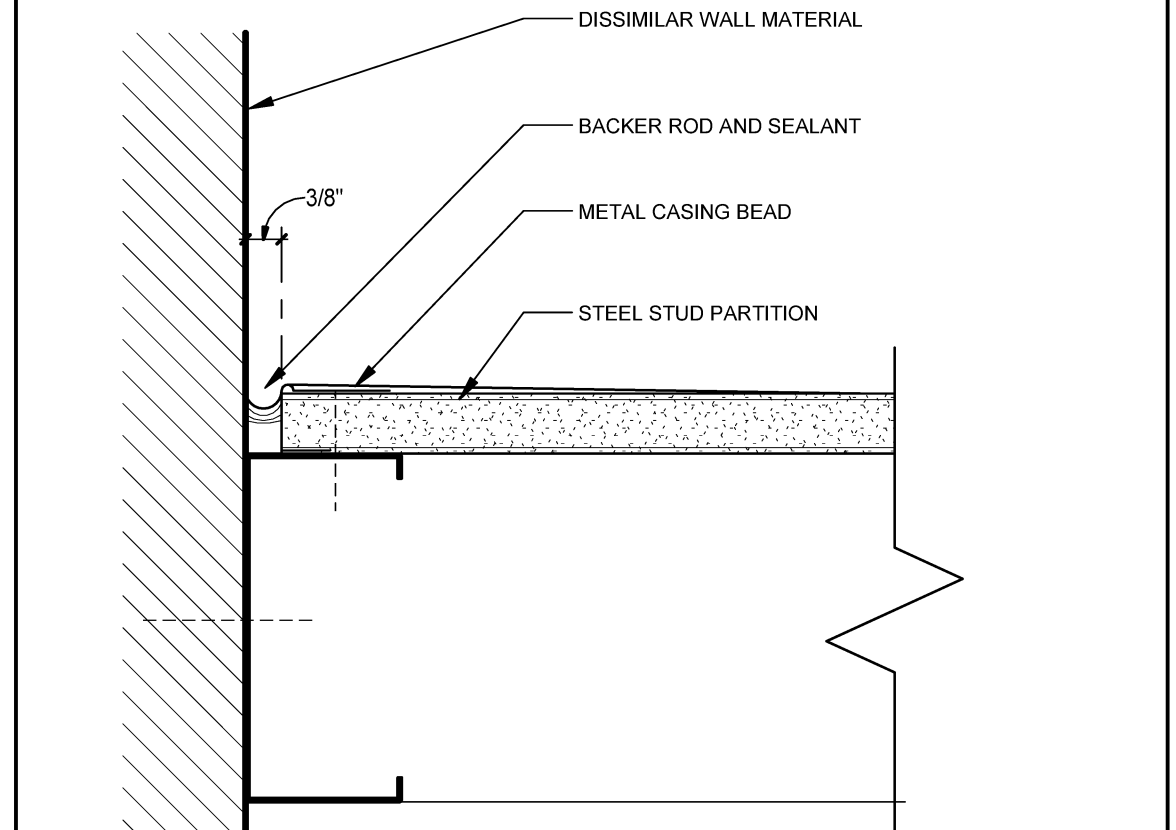
B5 PARTITION PERP TO STEEL BEAMS
SCALE: 1 1/2" = 1'-0"



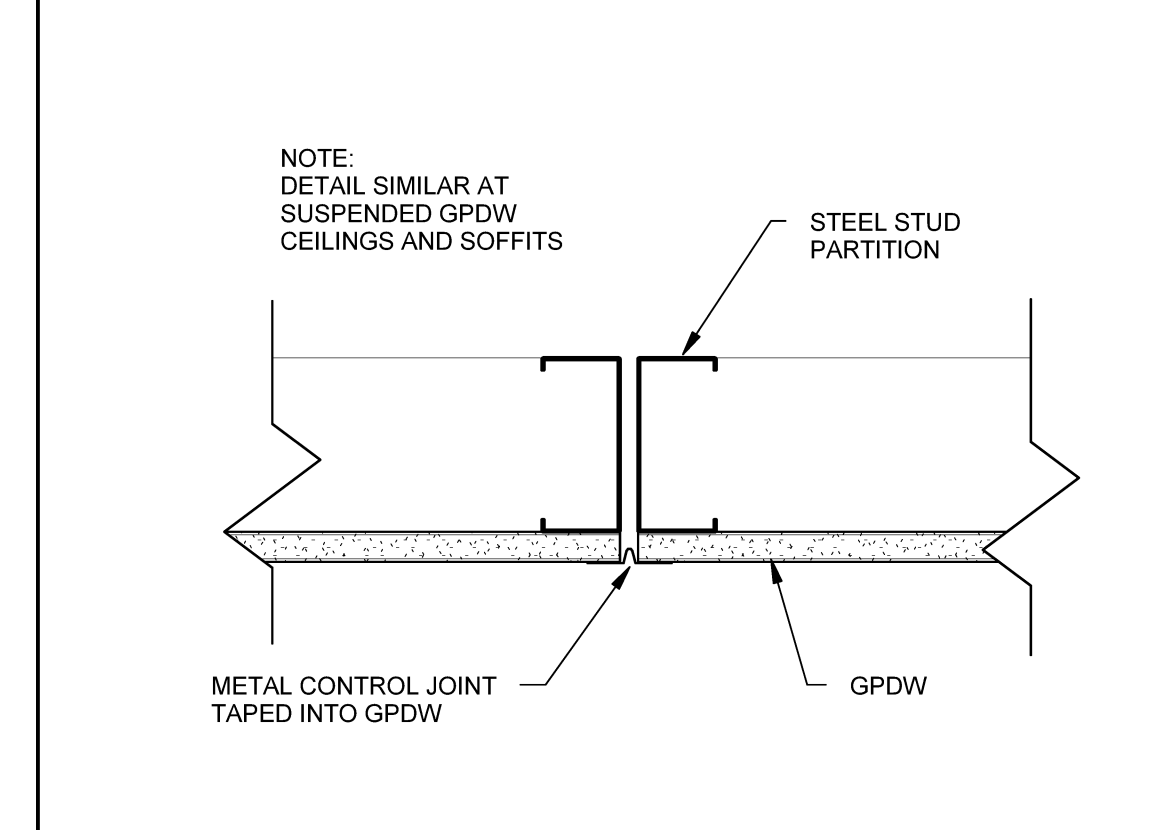
B4 PARTITION PERP TO STEEL JOIST
SCALE: 1 1/2" = 1'-0"



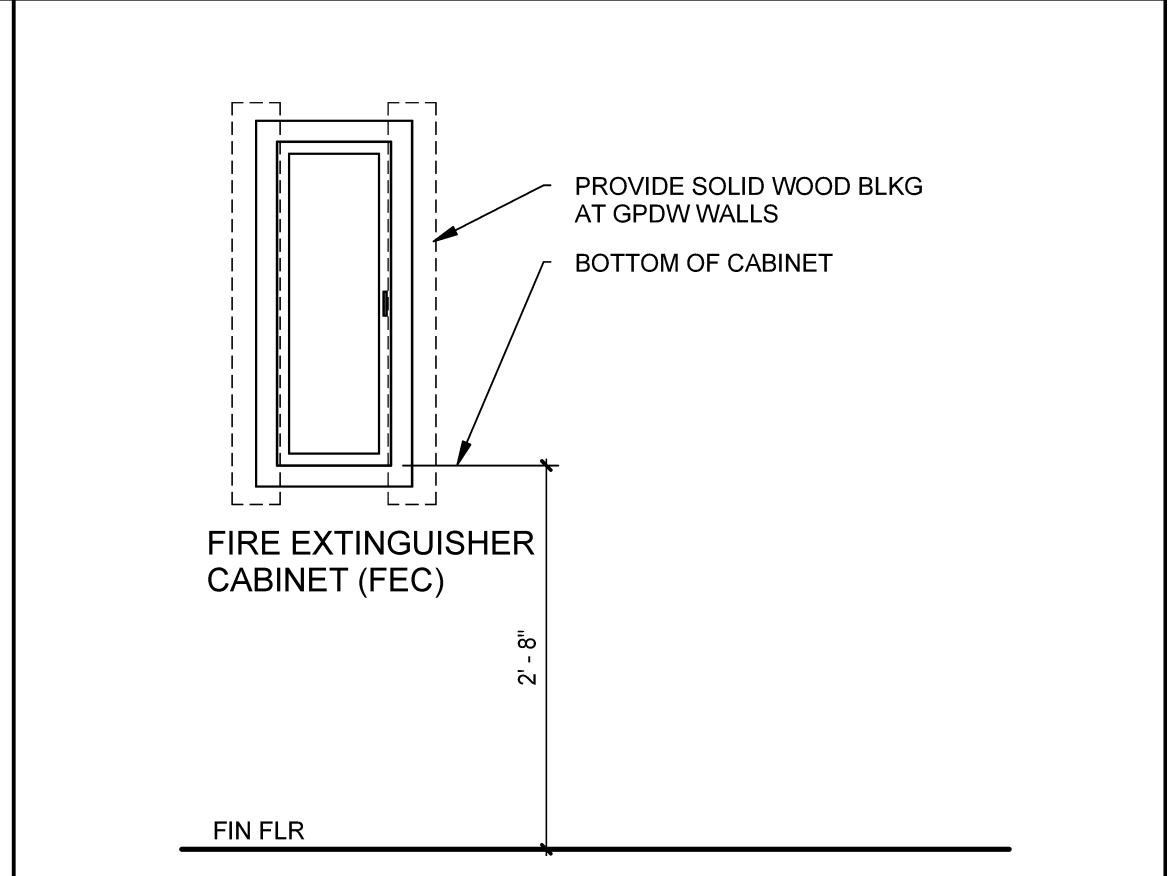
B3 TYPICAL CORNER BEAD DETAIL
SCALE: 6" = 1'-0"



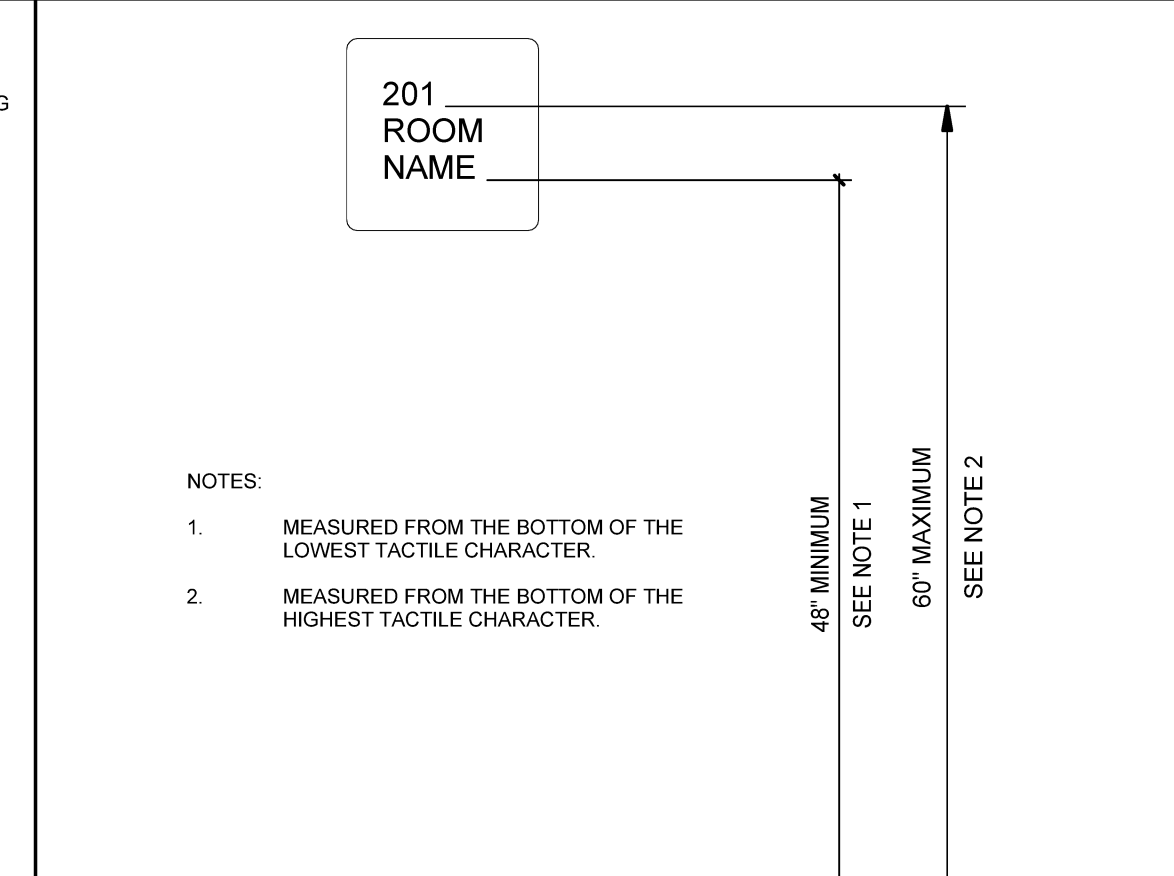
B2 TYPICAL CASING BEAD DETAIL
SCALE: 6" = 1'-0"



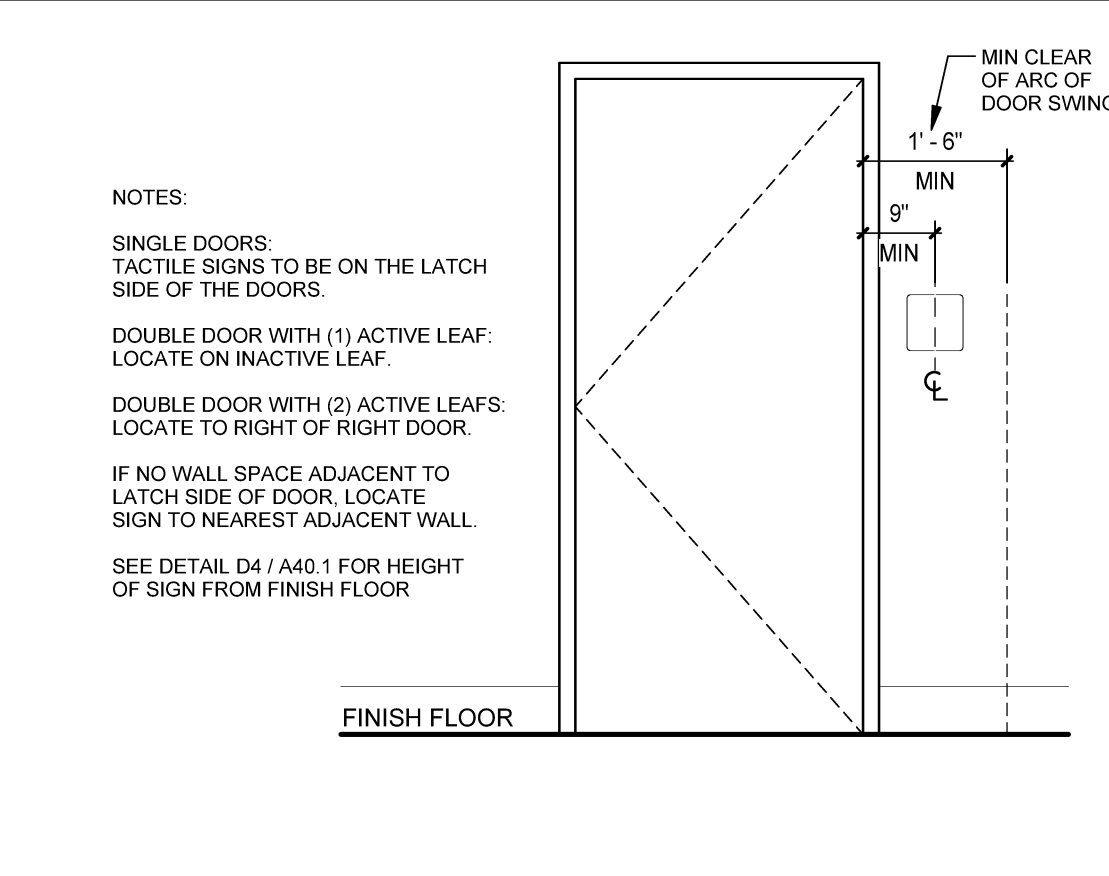
B1 TYP STL STUD CONTROL JOINT DETAIL
SCALE: 3" = 1'-0"



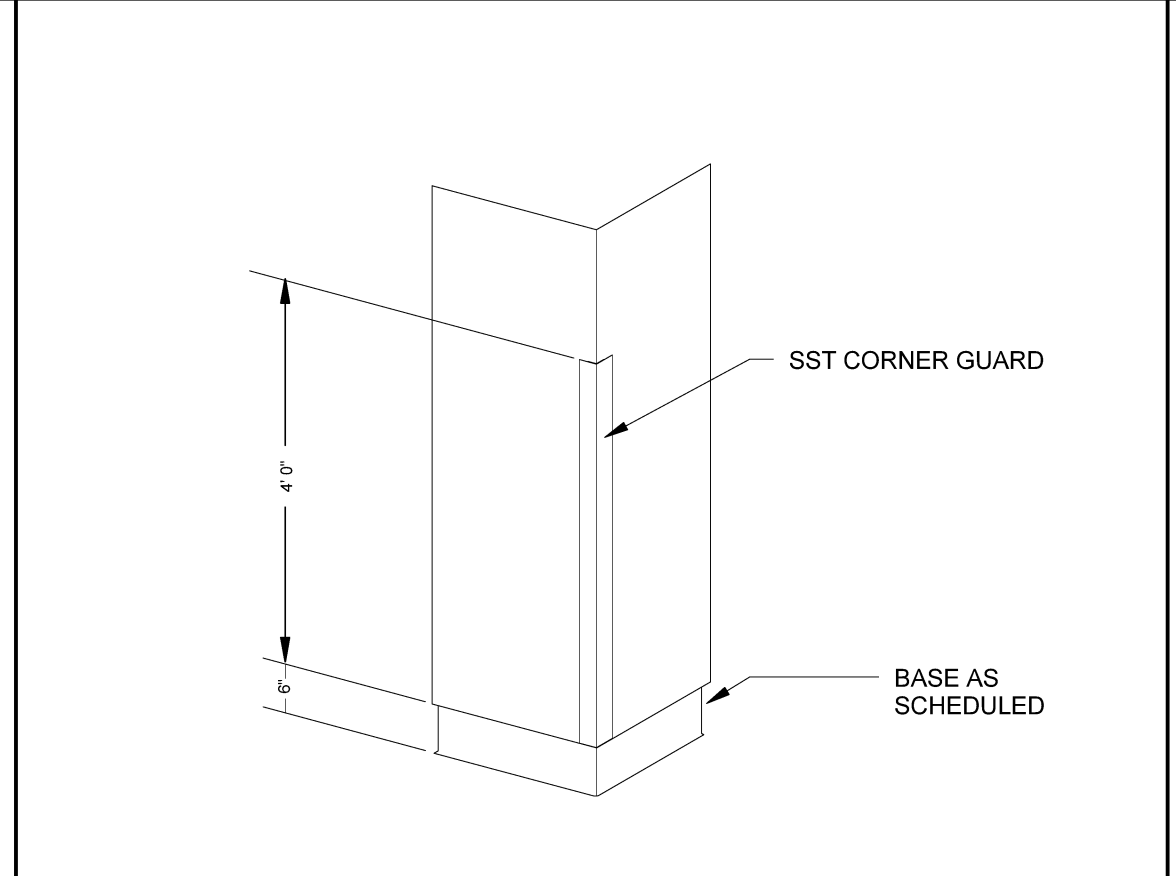
A5 FIRE EXTINGUISHER MOUNTING HEIGHT
SCALE: 3/4" = 1'-0"



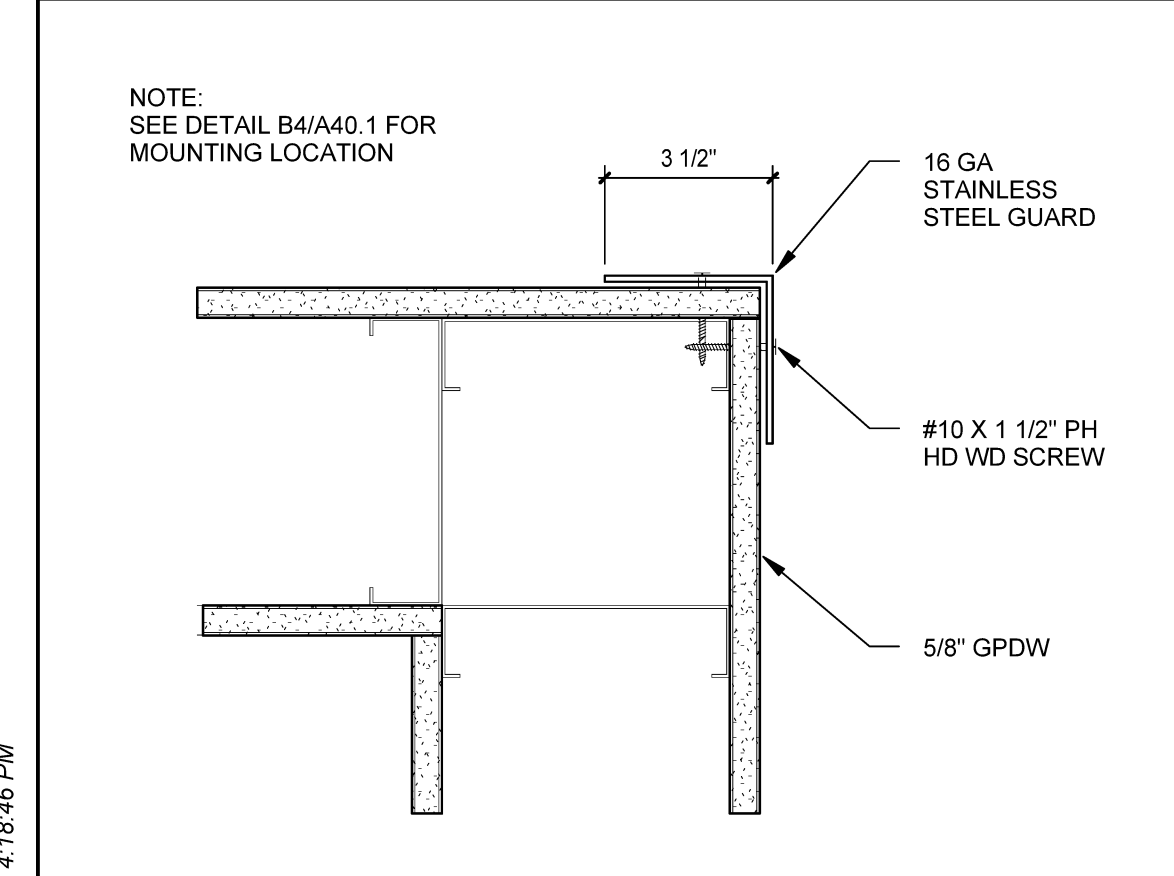
A4 ACCESSIBLE SIGNAGE
SCALE: 1" = 1'-0"



A3 ACCESSIBLE SIGNAGE LOCATION
SCALE: 1/2" = 1'-0"



A2 CORNER GUARD ISO DETAIL
SCALE: 1/2" = 1'-0"



A1 STAINLESS STEEL CORNER GUARD
SCALE: 3" = 1'-0"

Plot Date: 9/25/2015 4:18:46 PM