



HARRIMAN

AUBURN PORTLAND MANCHESTER

UNIVERSITY OF SOUTHERN MAINE DEPARTMENT REORGANIZATION PROJECT 2015-011

PORTLAND, MAINE

Harriman Project No. 15457

Key Plan

Proj North

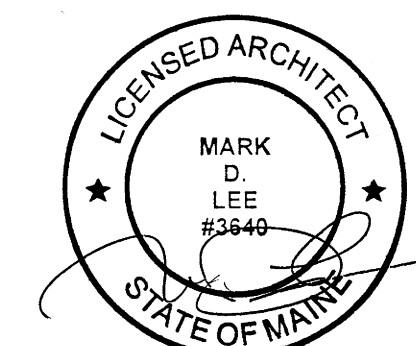


True North



Issues and Revisions

Mark	Date	Description
-	07-09-15	75% REVIEW
-	07-23-15	100% REVIEW
-	08-03-15	OWNER REVIEW
-	08-10-15	ISSUED FOR BID
1	09-25-15	ISSUED FOR PERMIT



Drawing Scales

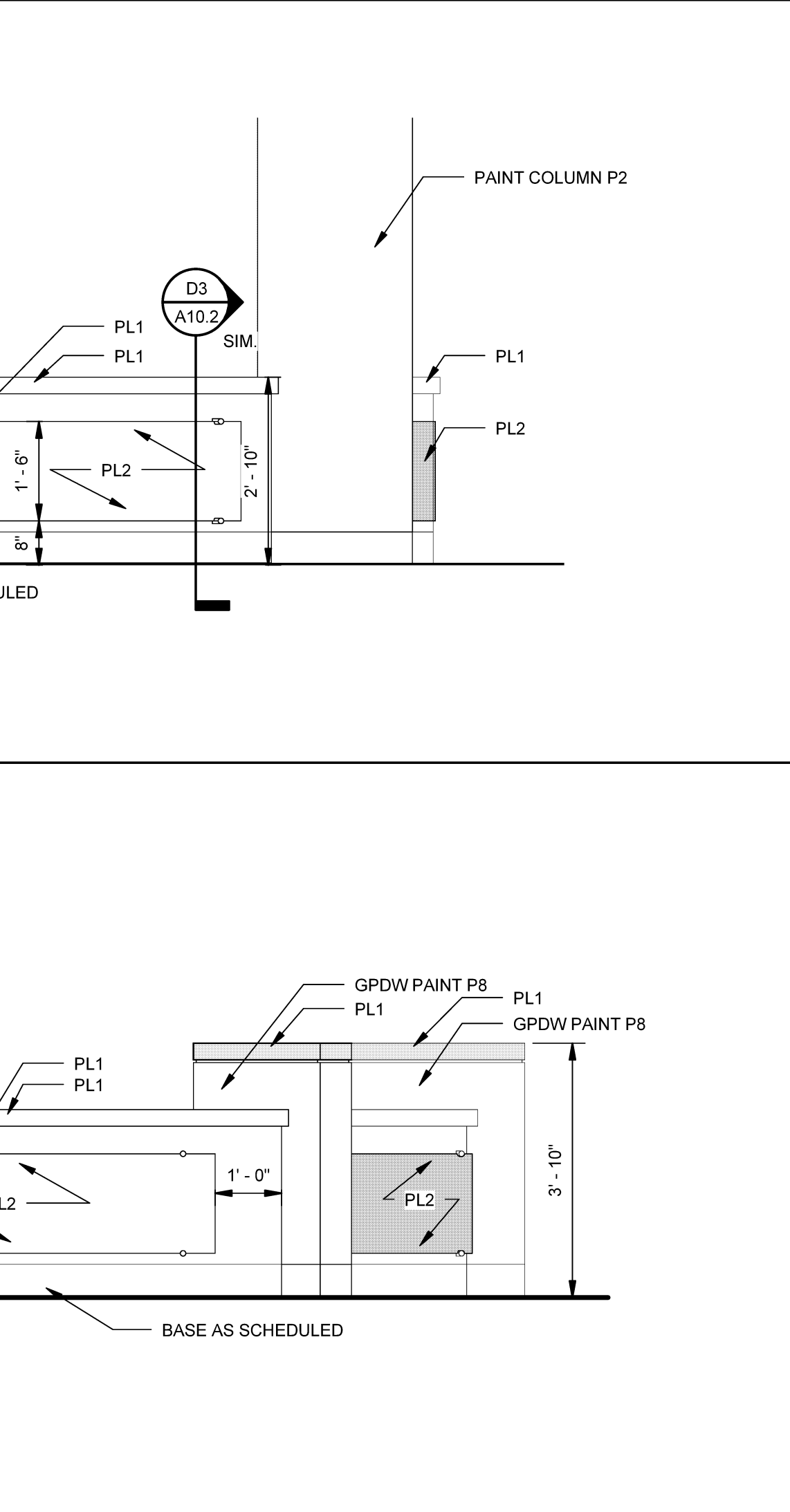
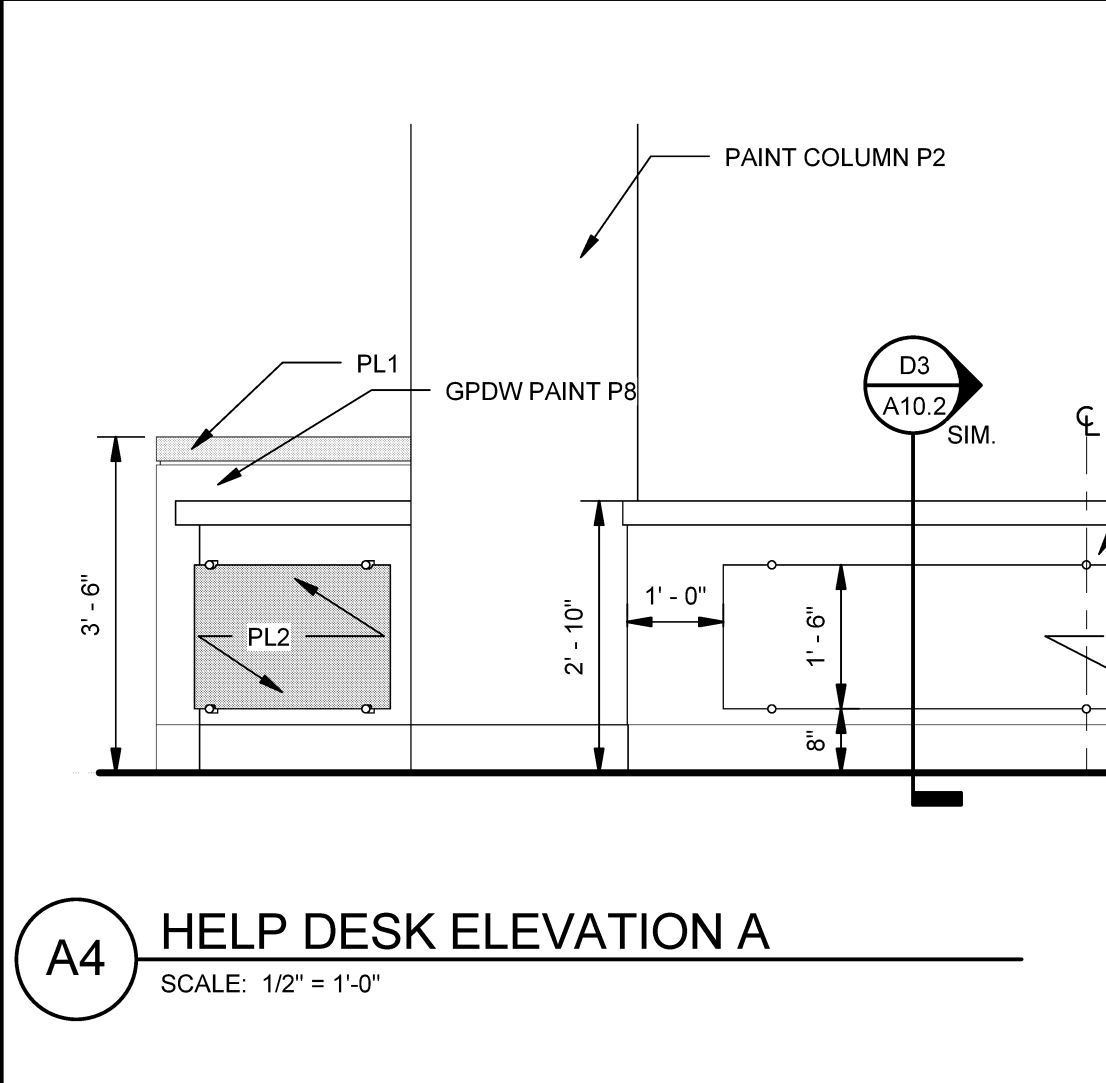
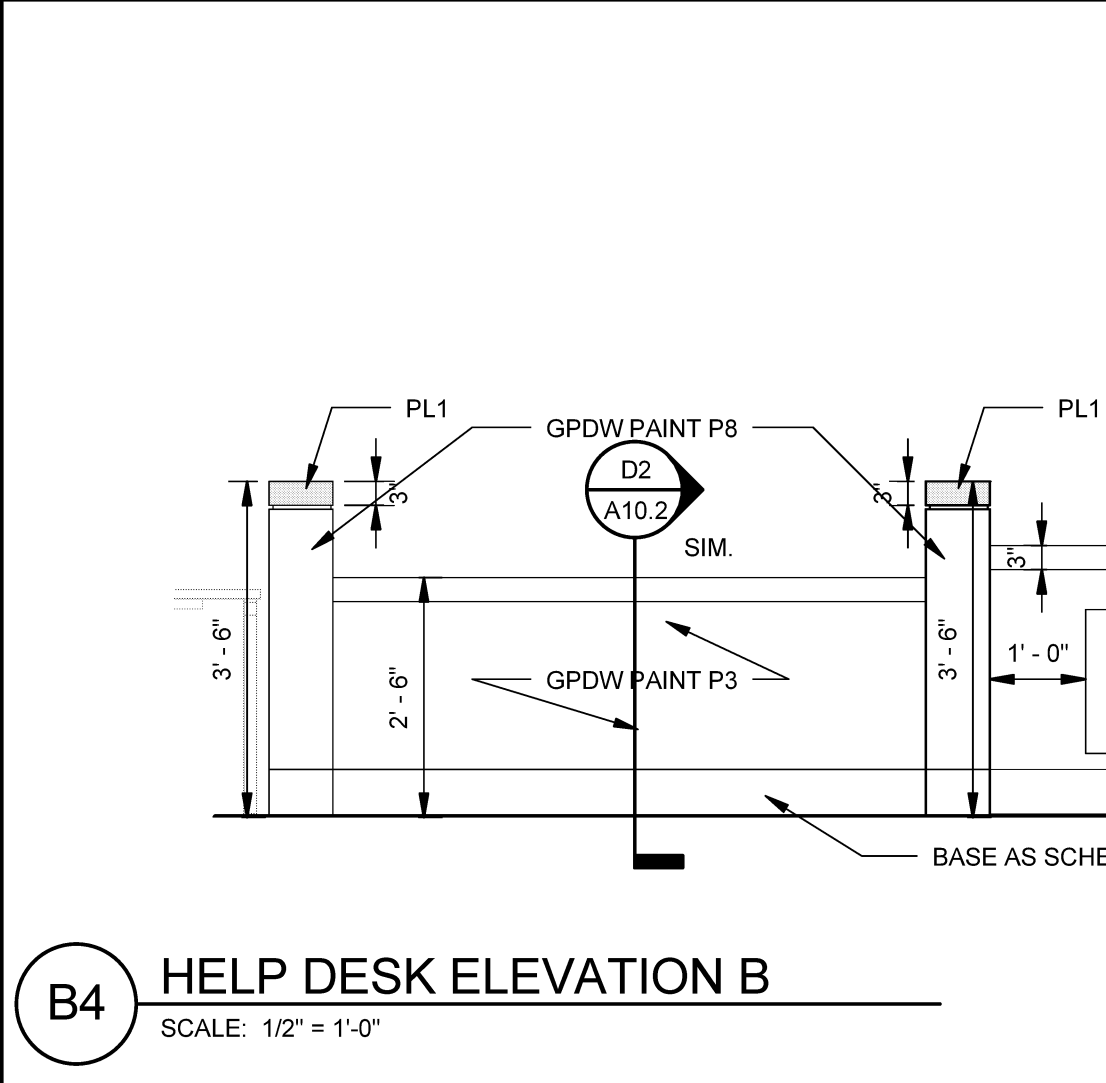
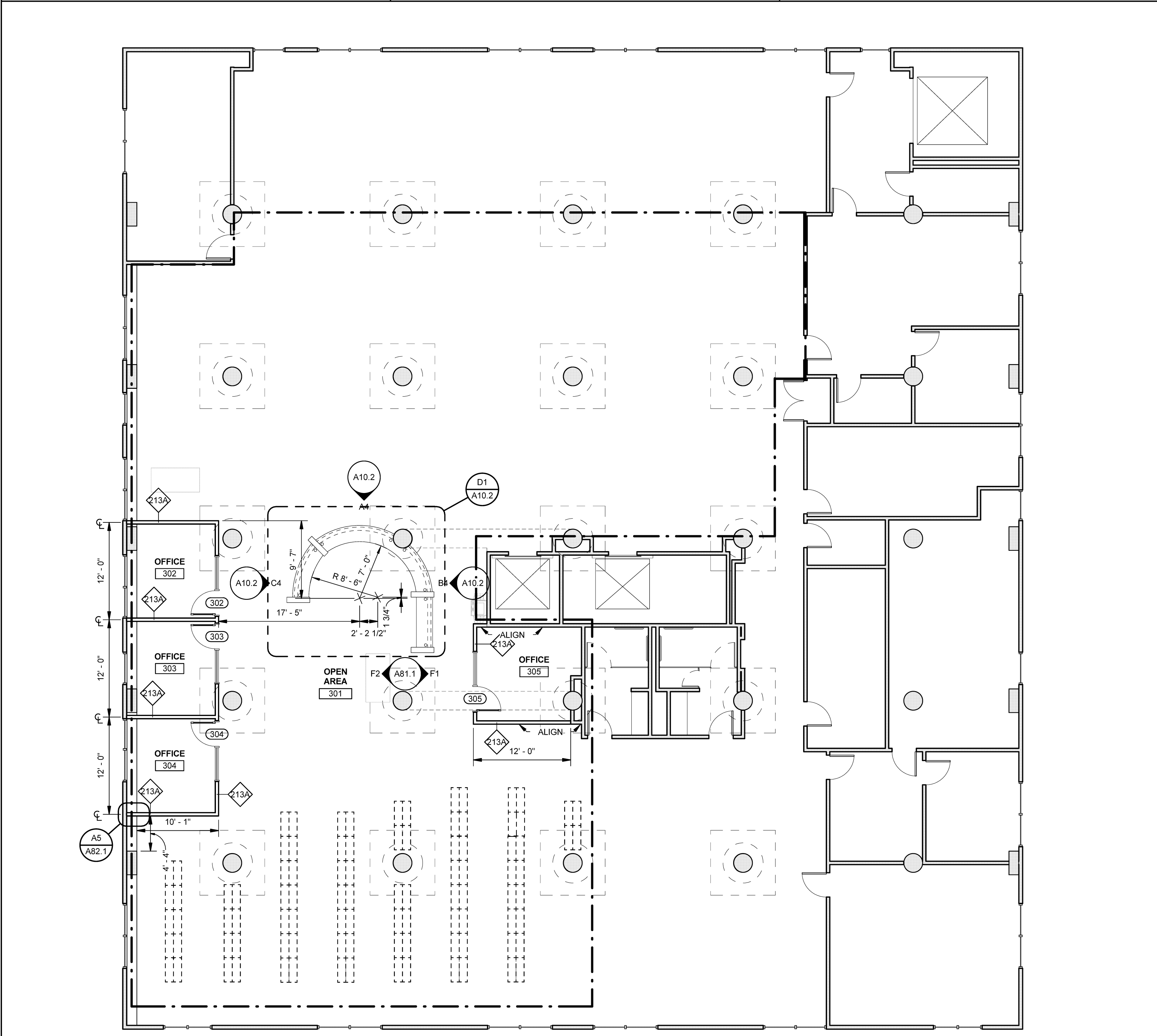
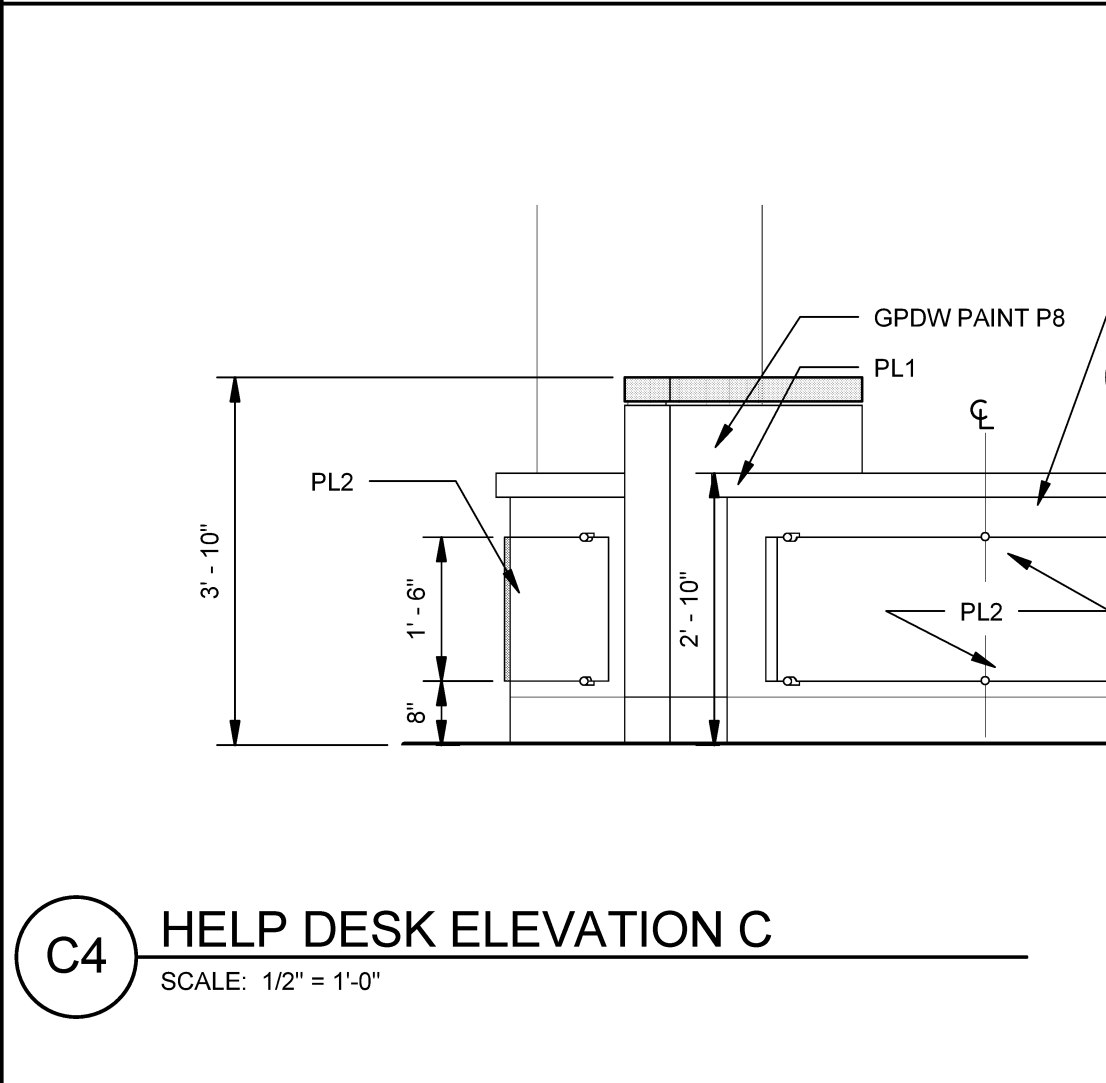
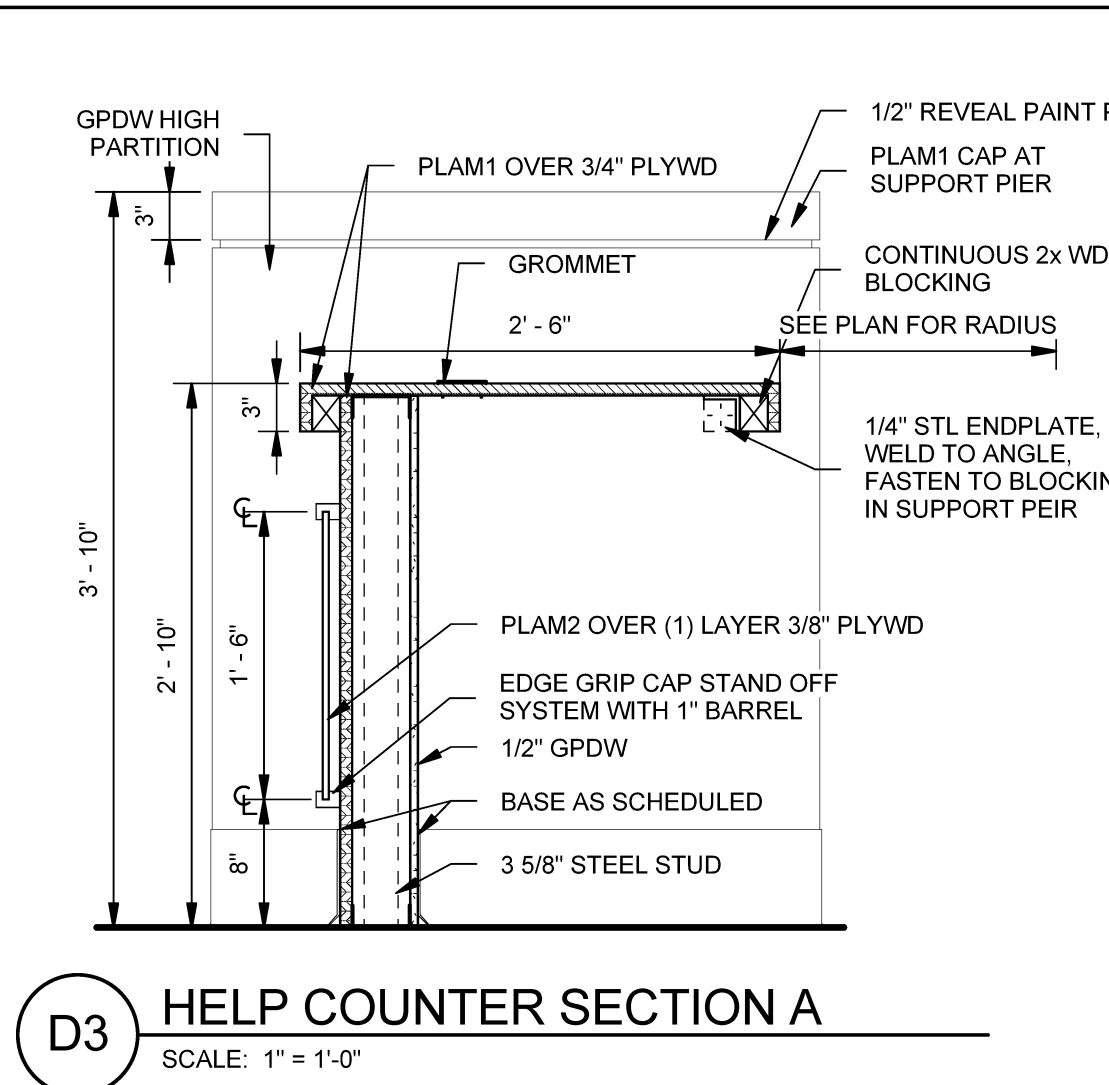
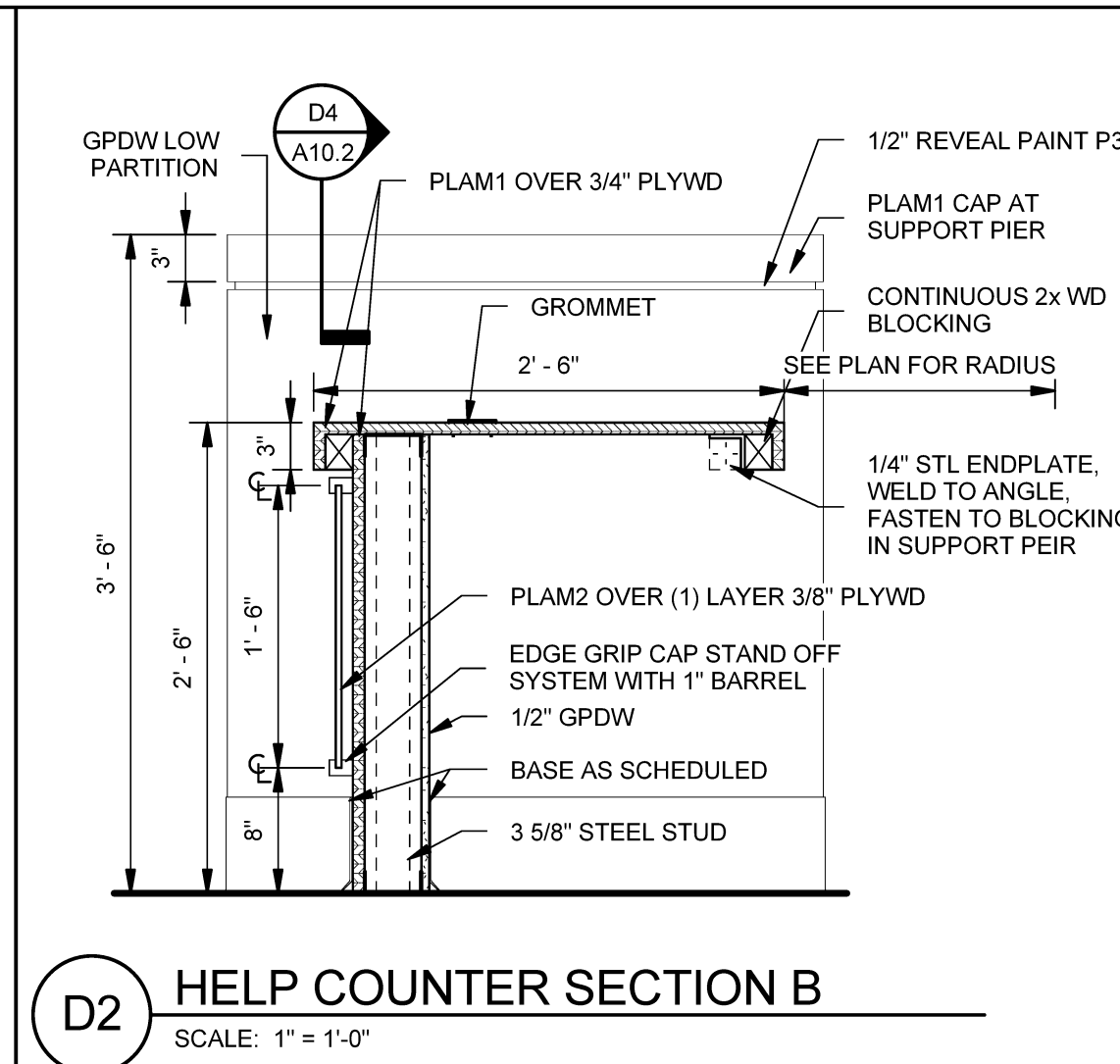
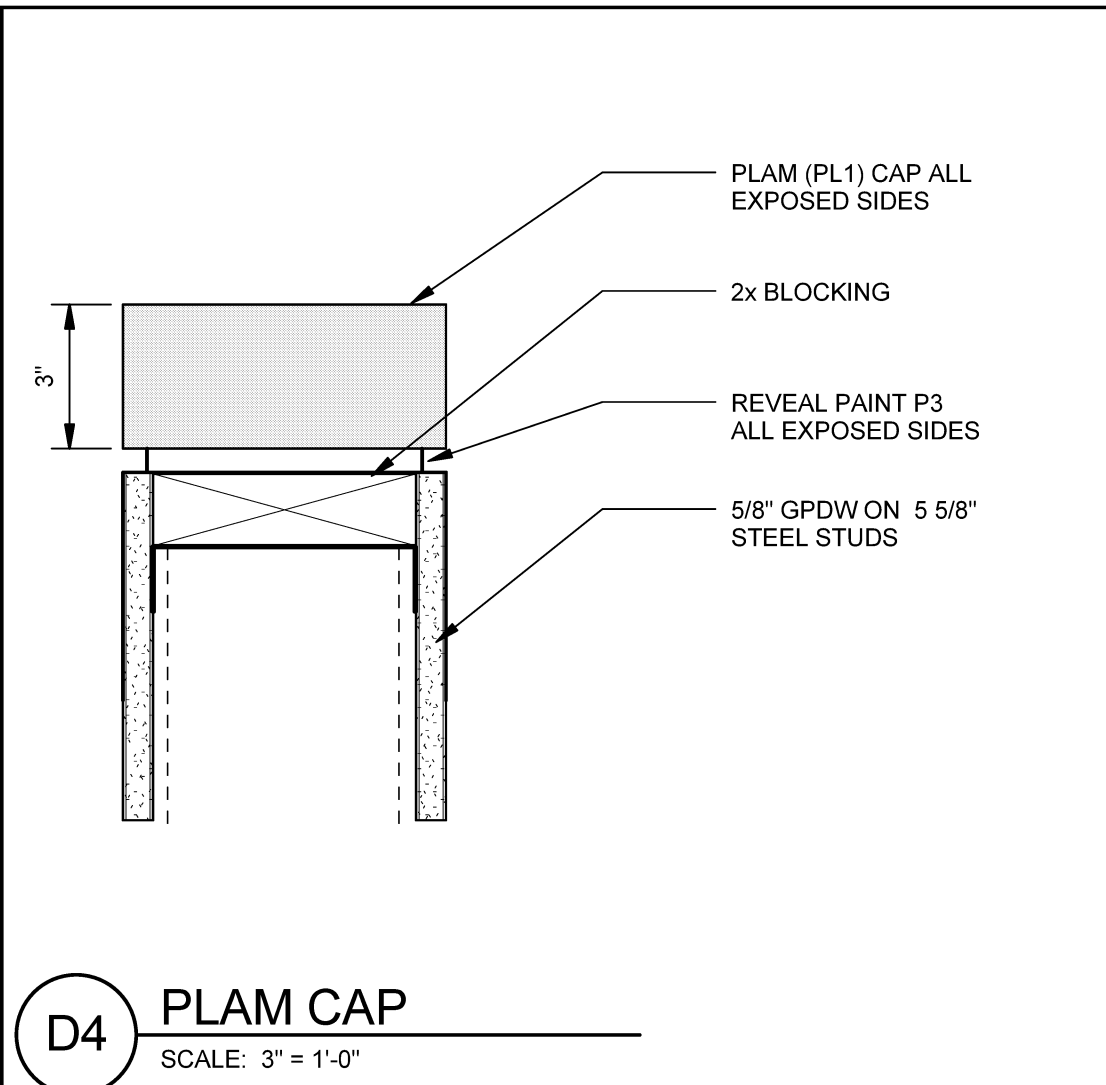
As indicated

PA / PE: MDL © 2015 Harriman Associates

Drawn By: ERP

THIRD FLOOR PLAN - GLICKMAN

A10.2



Plot Date: 9/25/2015 4:18:28 PM