



HARRIMAN

AUBURN PORTLAND MANCHESTER

UNIVERSITY OF SOUTHERN MAINE DEPARTMENT REORGANIZATION PROJECT 2015-011

PORTLAND, MAINE

Harriman Project No. 15457

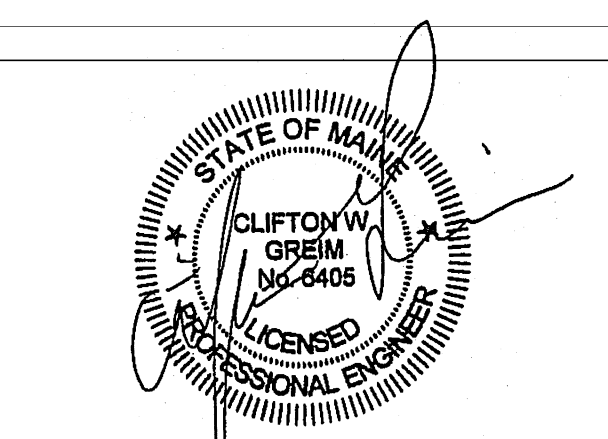
Key Plan

Proj North



Issues and Revisions

Mark	Date	Description
07-09-15	75% REVIEW	
07-23-15	100% REVIEW	
08-03-15	OWNER REVIEW	
08-10-15	ISSUED FOR BID	

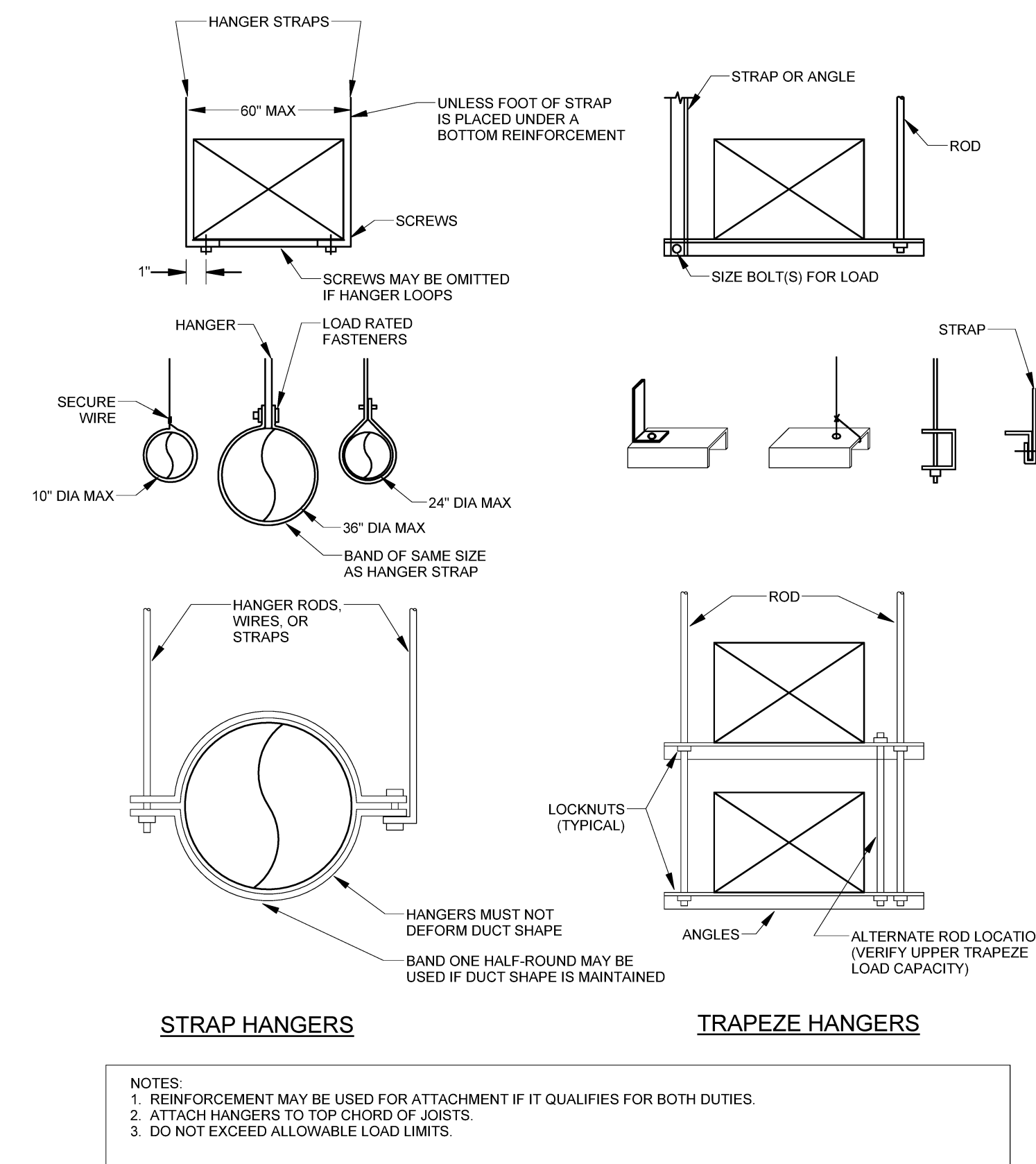


Drawing Scales NO SCALE

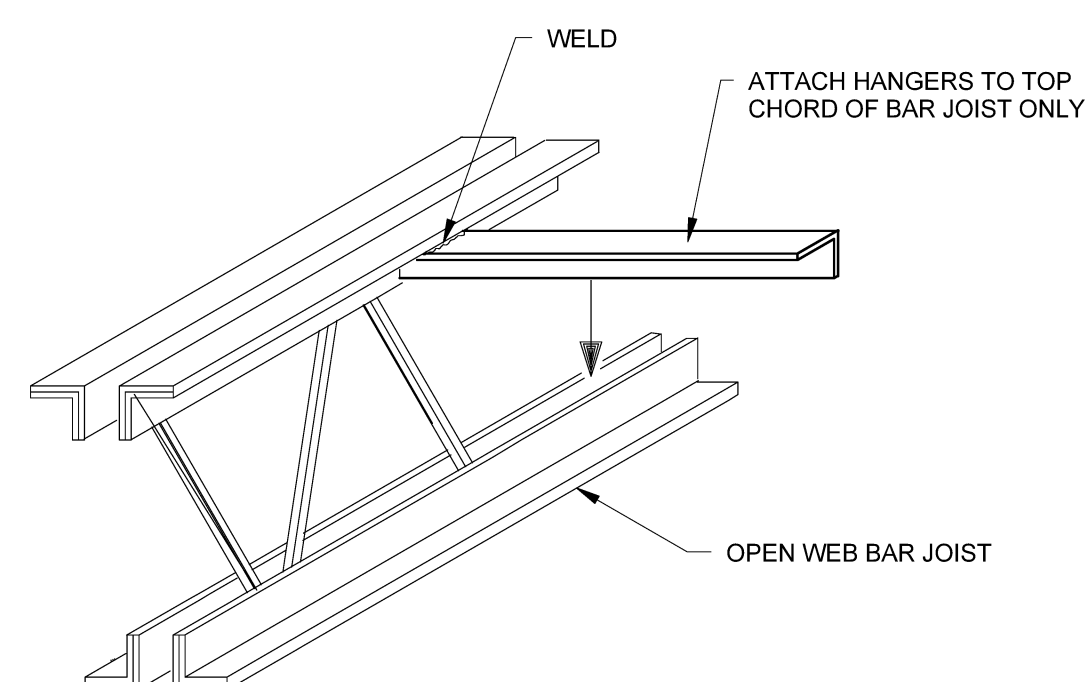
PA / PE: CG © 2015 Harriman Associates
Drawn By: JSL

DETAILS

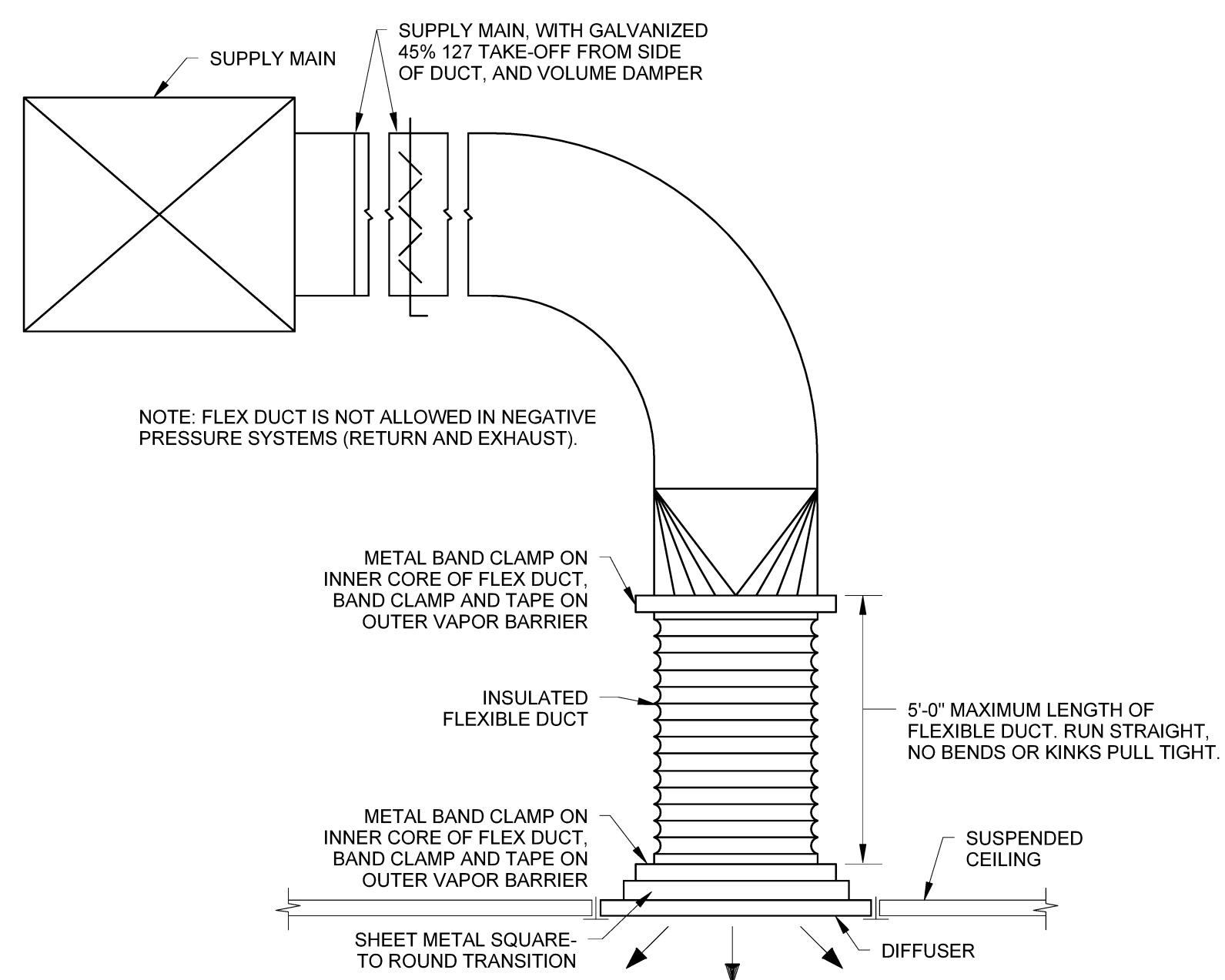
M30.1



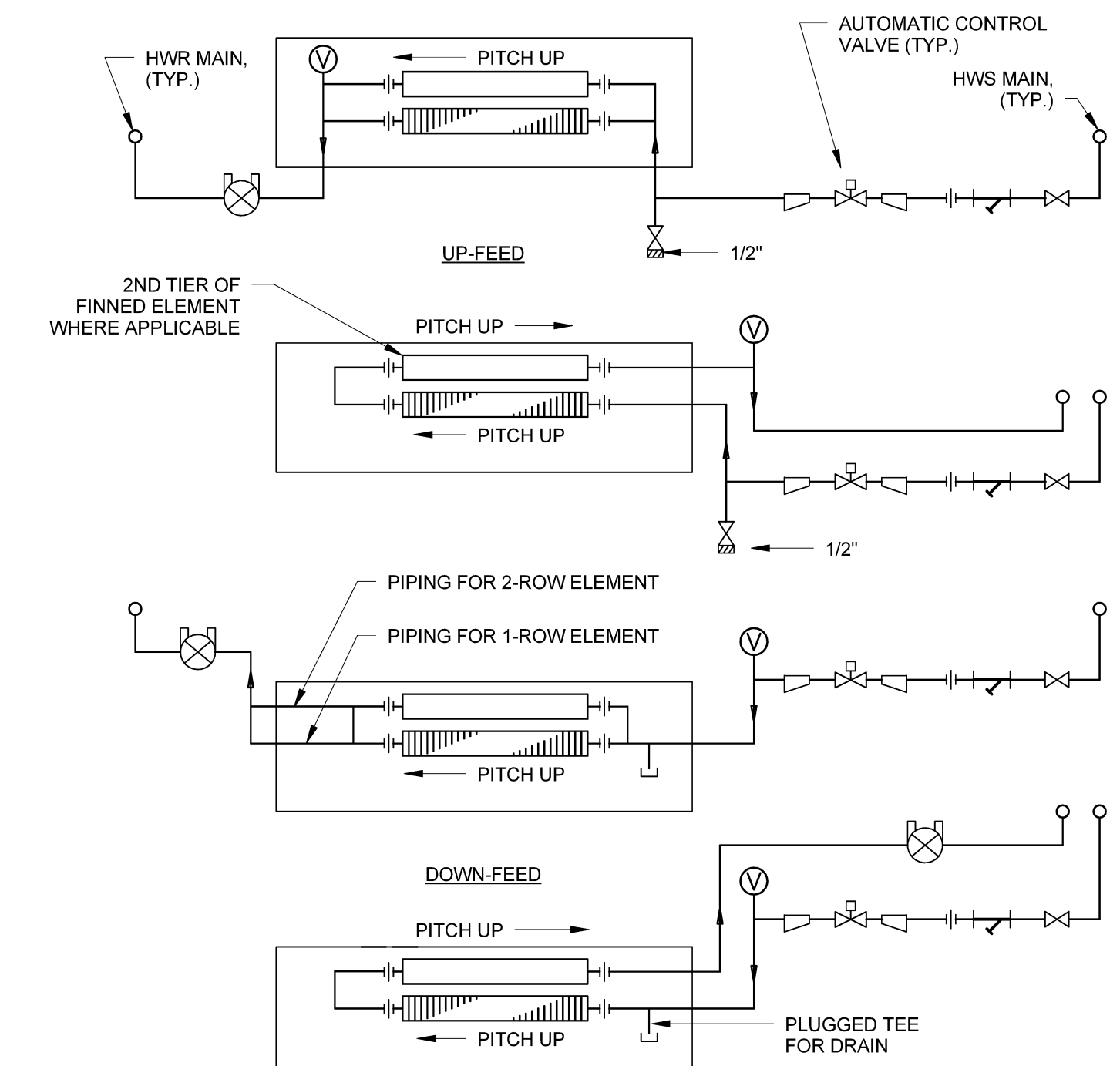
4 LOWER HANGER ATTACHMENT
NO SCALE



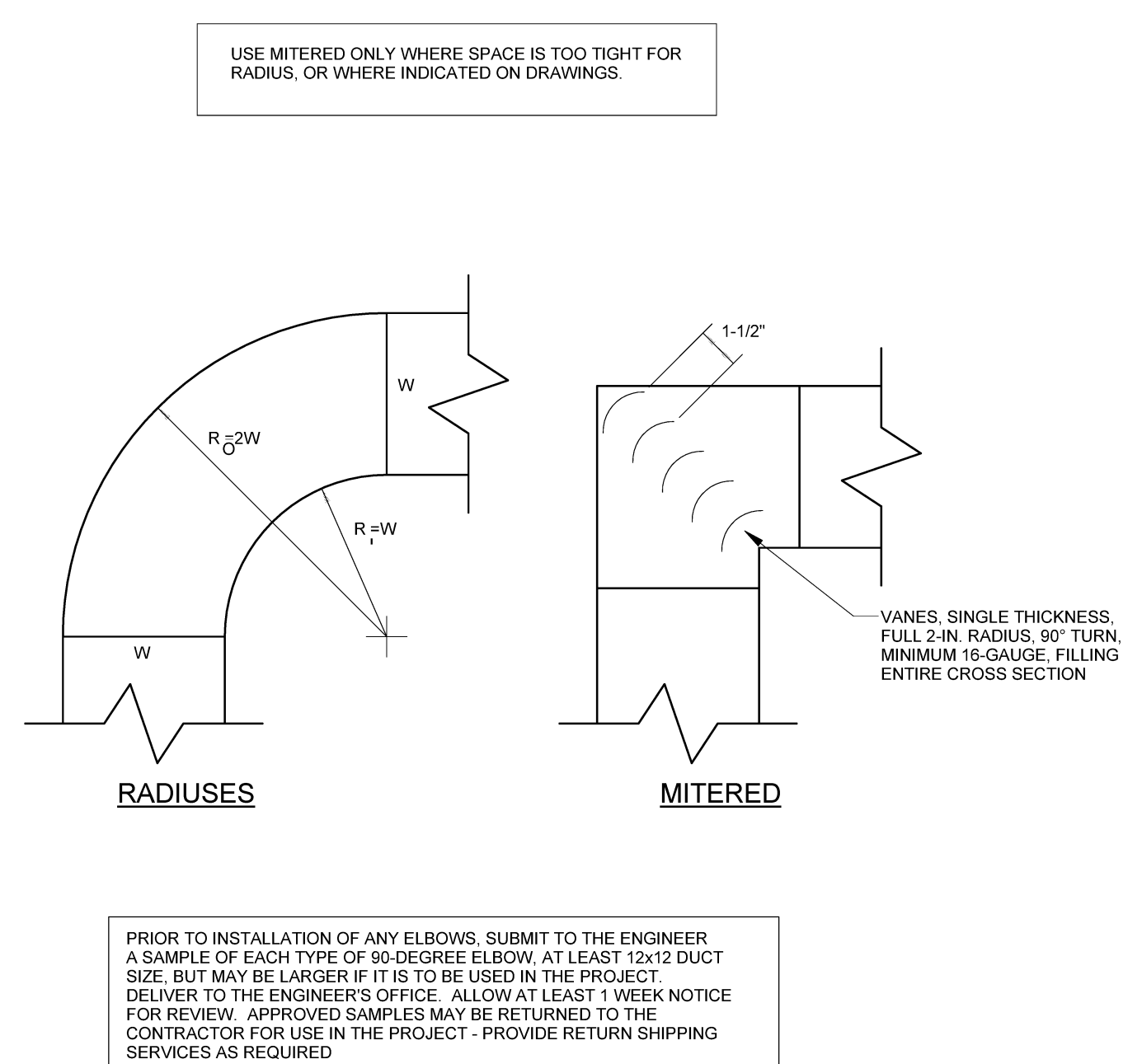
5 HANGER ATTACHMENTS TO STRUCTURES
NO SCALE



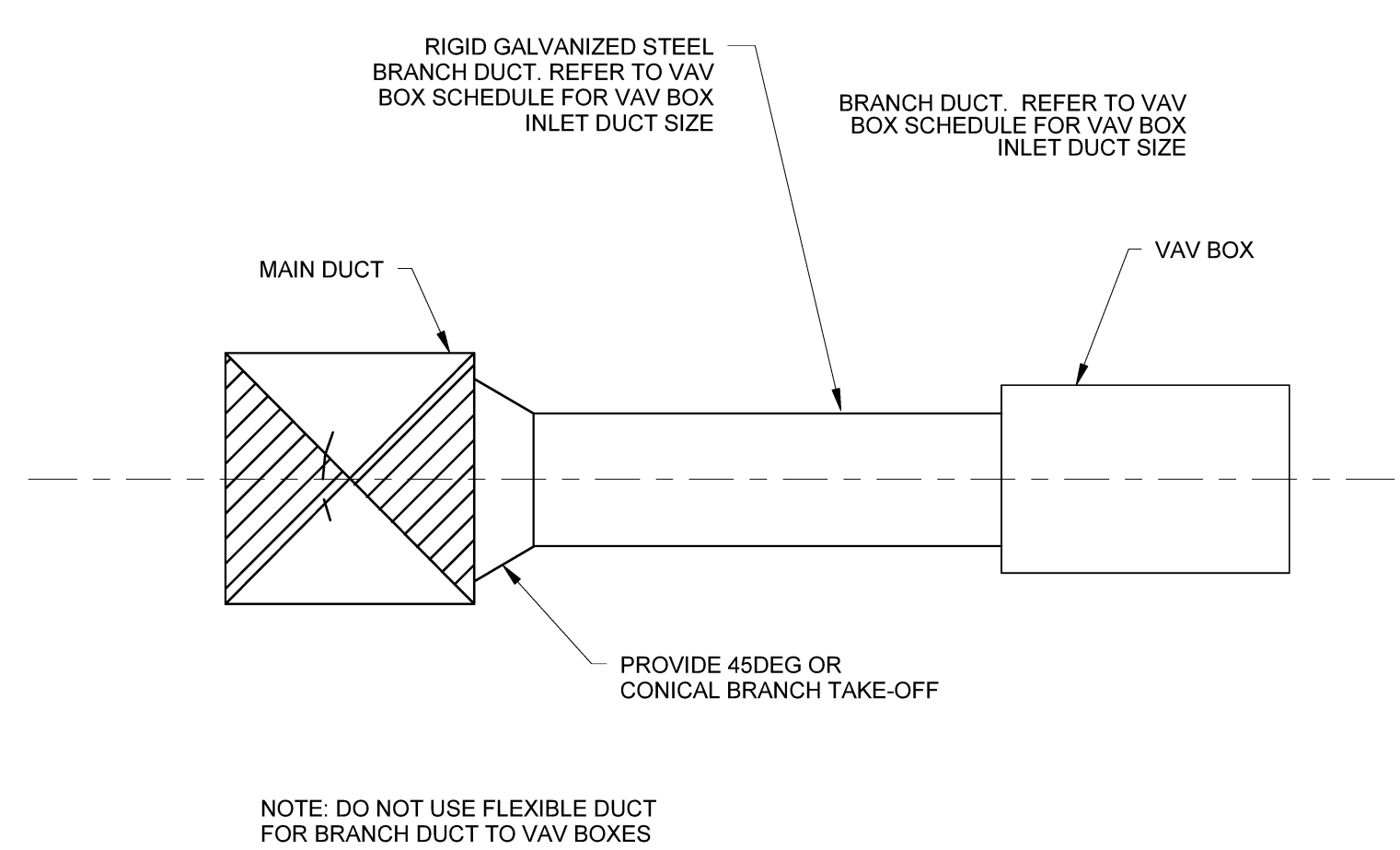
6 FLEXIBLE CONNECTION
NO SCALE



1 HOT WATER RADIATION
NO SCALE



2 DUCT ELBOW
NO SCALE



3 TYPICAL VAV BOX CONNECTION WHERE RIGID DUCT IS REQUIRED
NO SCALE