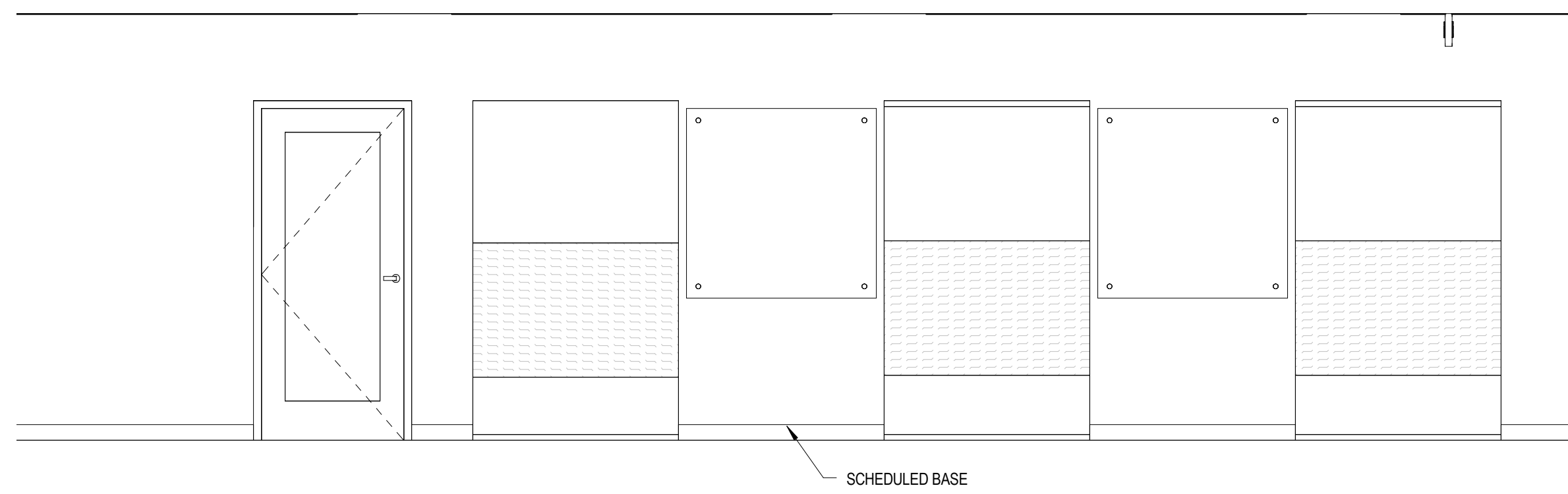
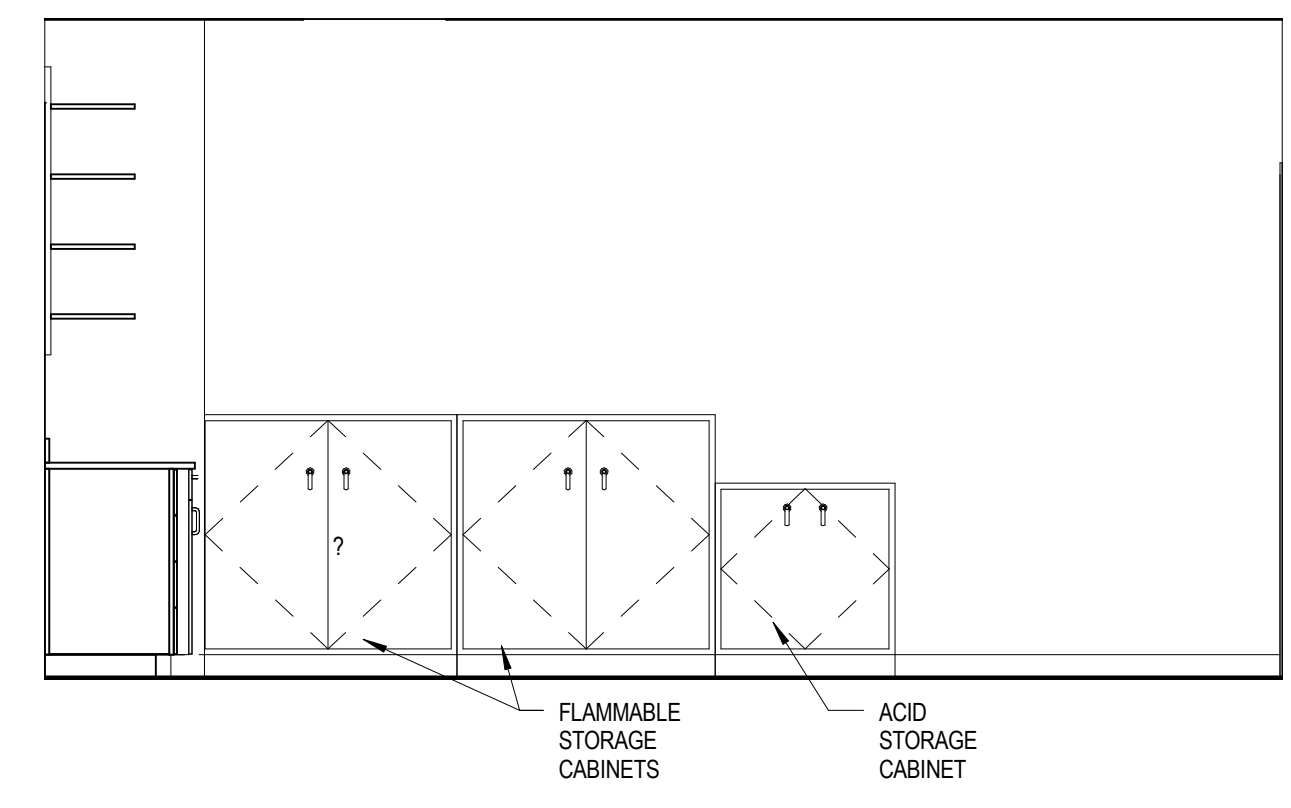


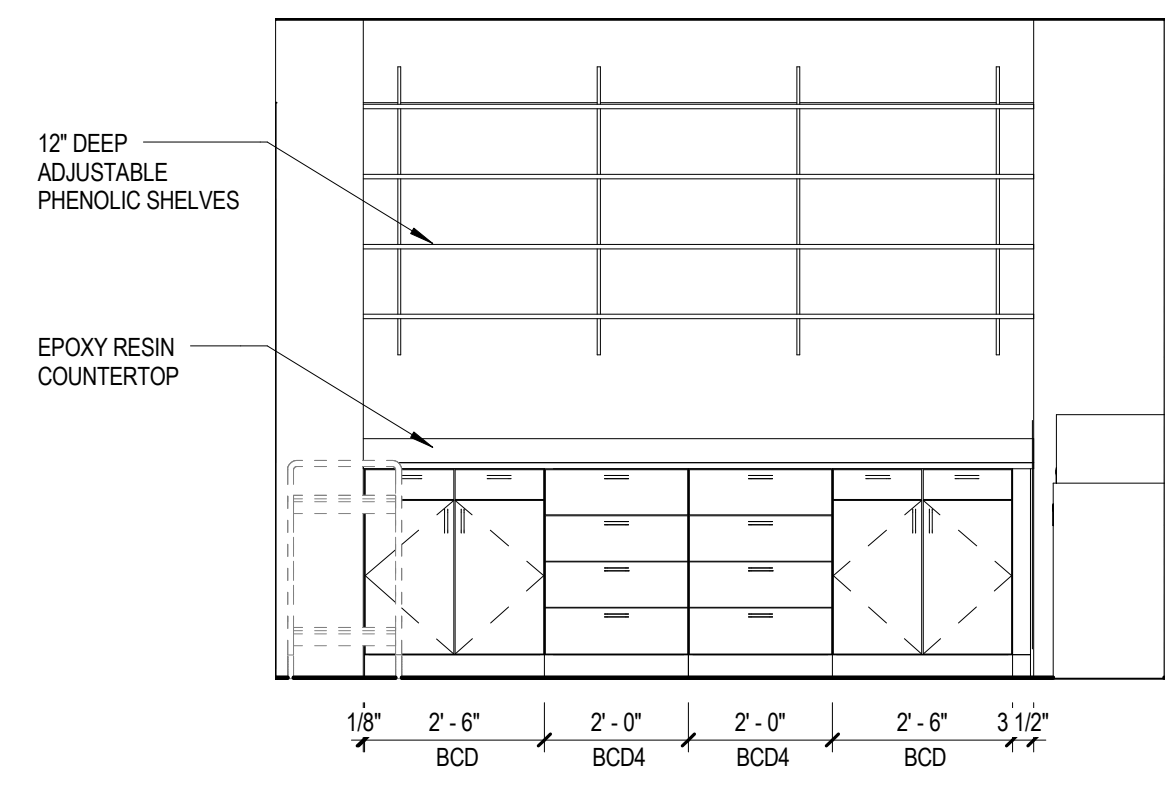
B1 COLLABORATIVE SPACE ELEVATION - ALTERNATE NO. 1
 A6.2 3/8" = 1'-0"



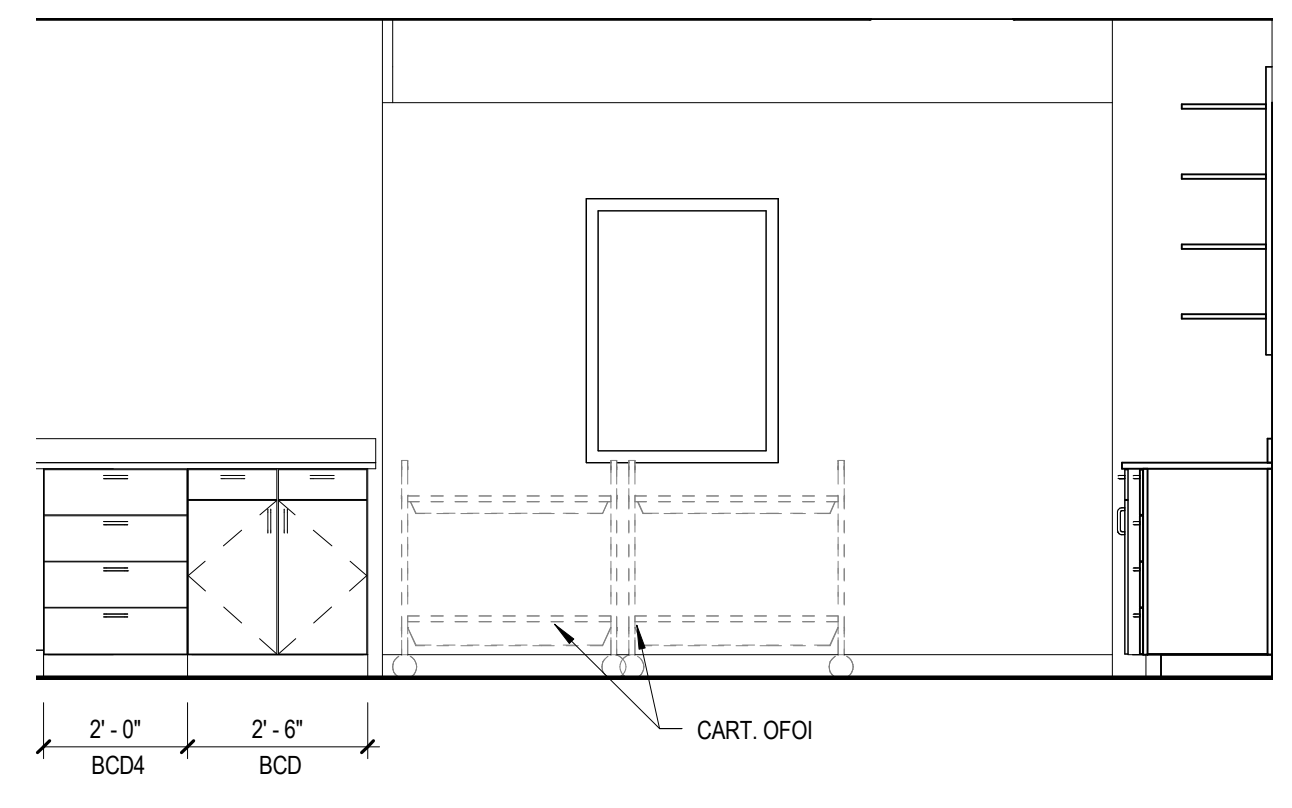
B8 CORRIDOR ELEVATION
 A6.2 3/8" = 1'-0"



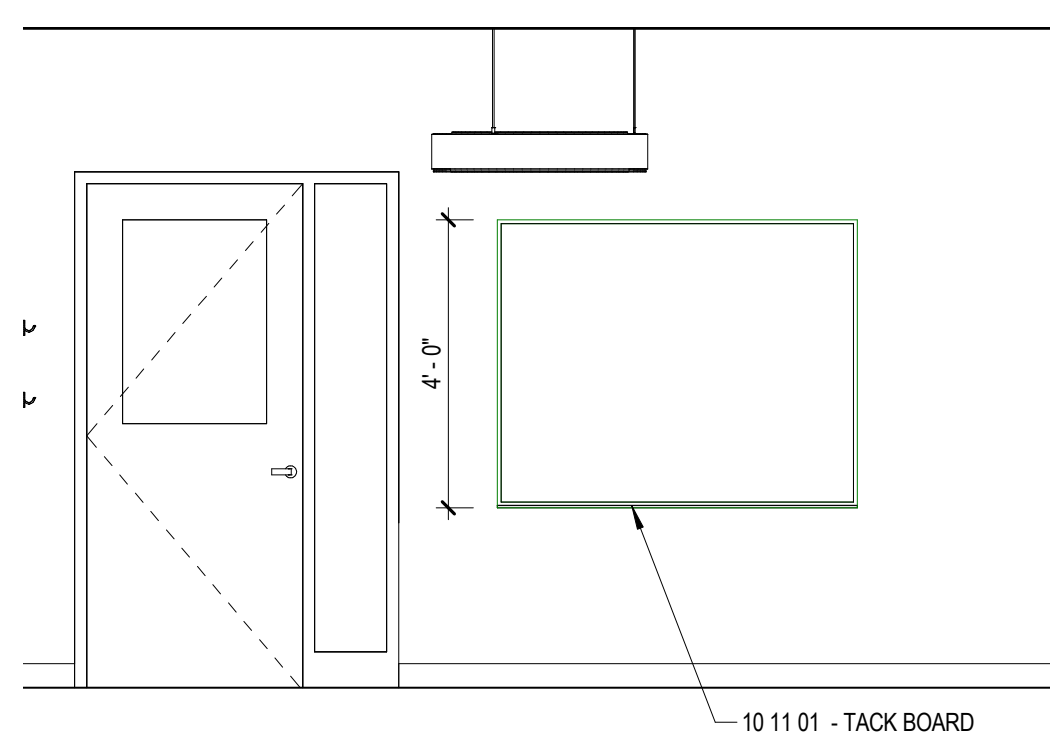
D1 STORAGE ROOM ELEVATION - ALTERNATE NO. 1
 A6.2 3/8" = 1'-0"



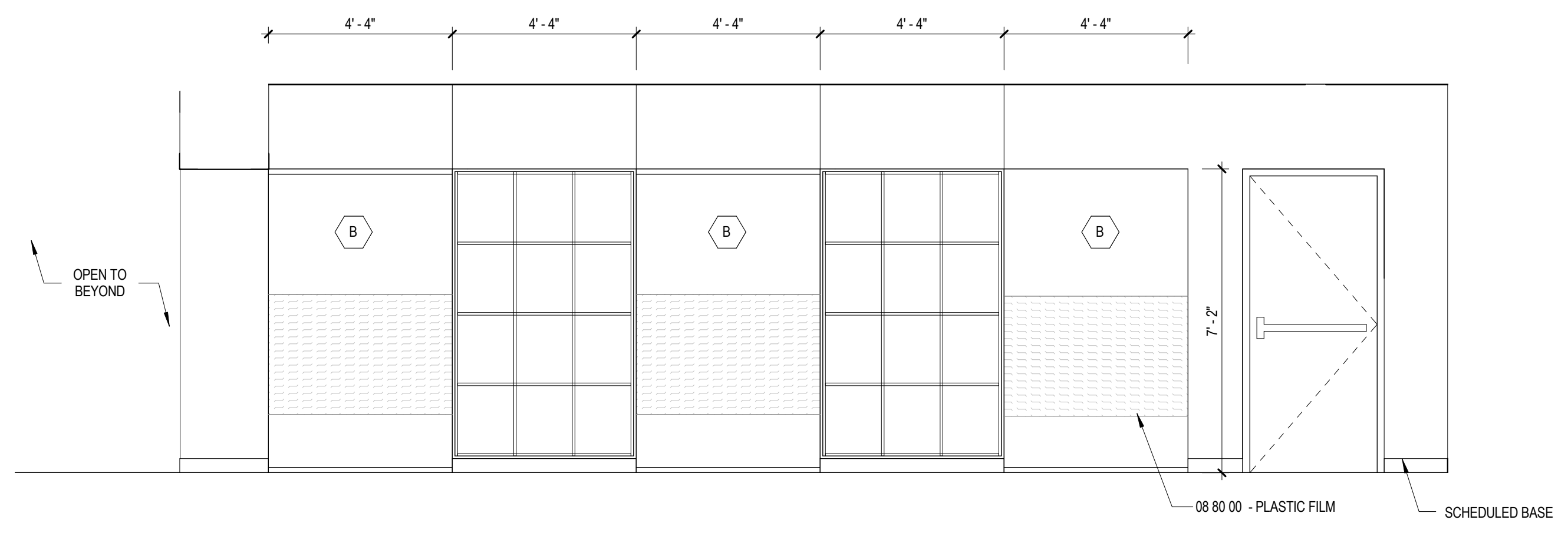
D6 STORAGE ROOM ELEVATION - ALTERNATE NO. 1
 A6.2 3/8" = 1'-0"



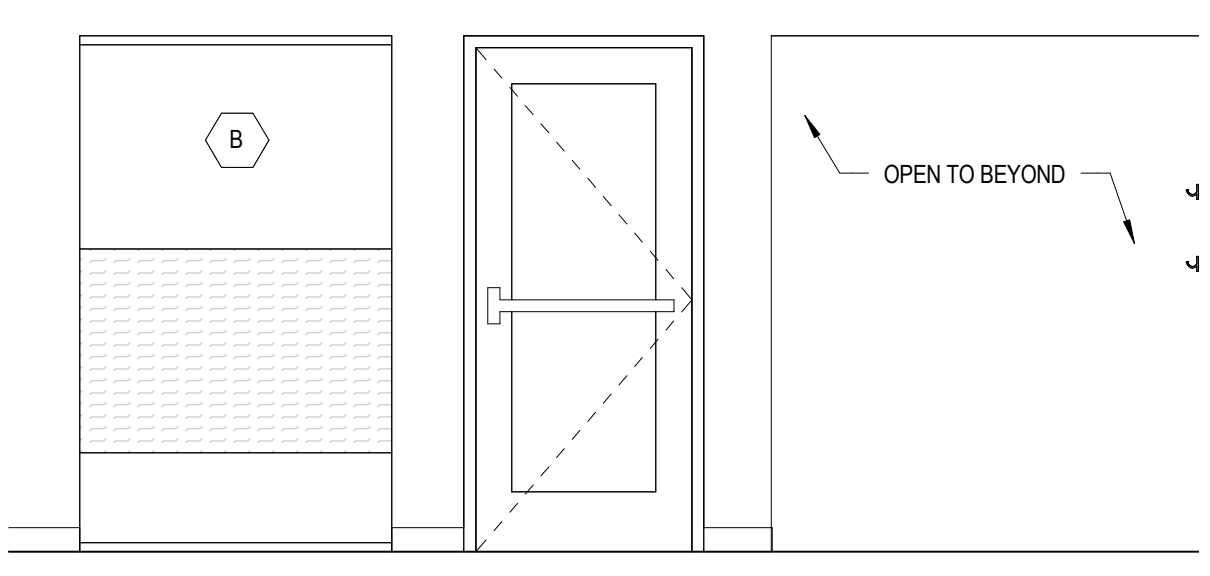
D9 STORAGE ROOM ELEVATION - ALTERNATE NO. 1
 A6.2 3/8" = 1'-0"



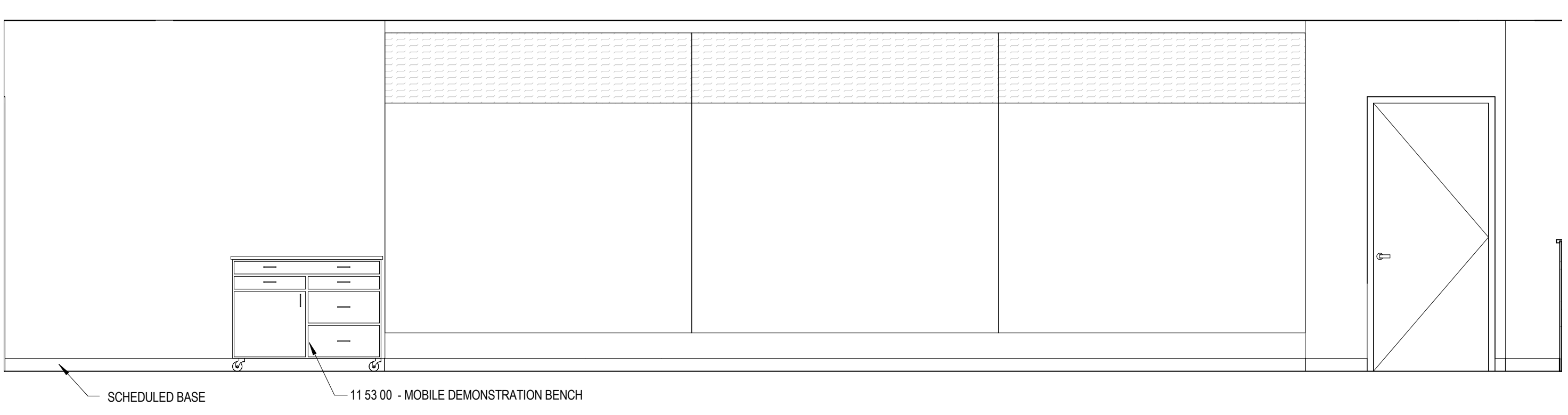
F3 ENTRY ELEVATION
 A6.2 3/8" = 1'-0"



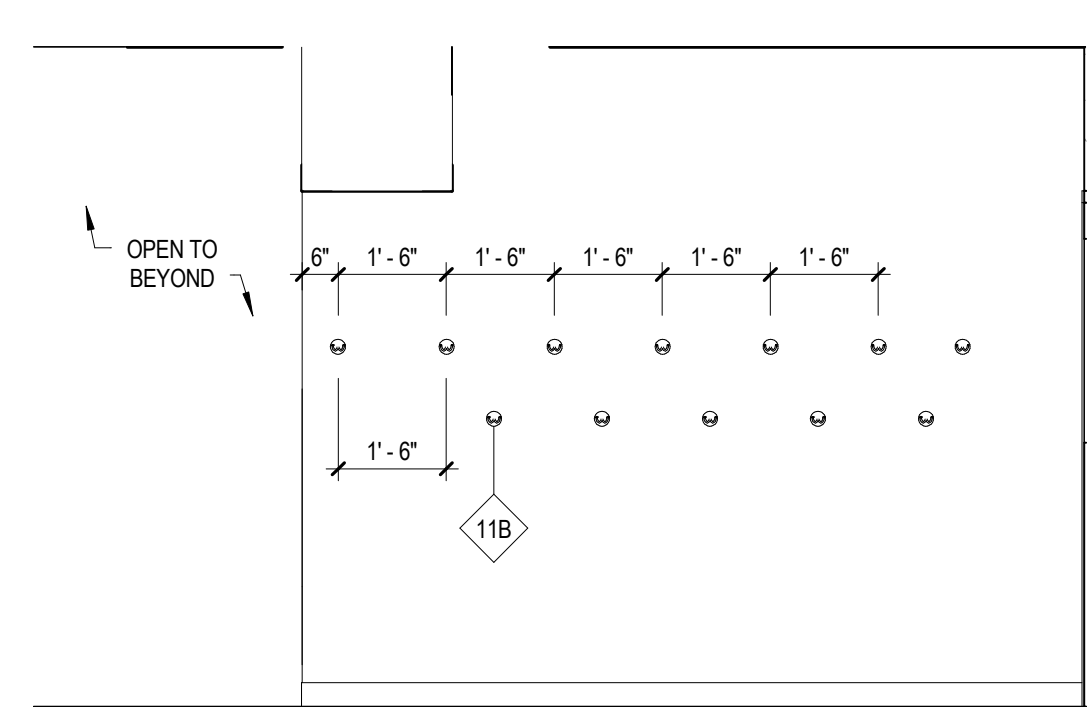
F8 CHEMISTRY LAB ELEVATION
 A6.2 3/8" = 1'-0"



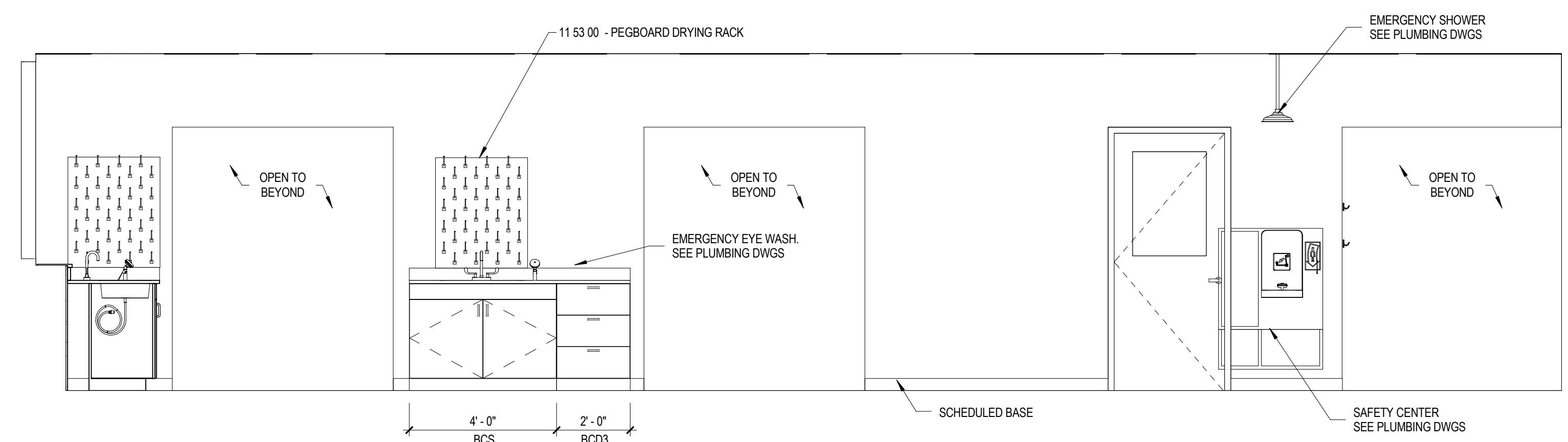
H1 ENTRY ELEVATION
 A6.2 3/8" = 1'-0"



H6 CHEMISTRY LAB ELEVATION
 A6.2 3/8" = 1'-0"



J1 ENTRY ELEVATION
 A6.2 3/8" = 1'-0"



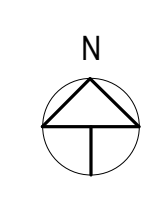
J6 CHEMISTRY LAB ELEVATION
 A6.2 3/8" = 1'-0"

UNIVERSITY OF SOUTHERN MAINE

**SCIENCE BUILDING
 C300 CHEMISTRY LAB**

70 Falmouth Street Portland, Maine
 04101

NO.	DESCRIPTION	DATE



FOR ADDITIONAL INFORMATION, REFER TO PROJECT MANUAL.

CONTENT:
 INTERIOR ELEVATIONS

DRAWN BY: _____ Author

PROJECT NO: 14-049-00

DATE: 07/21/2015

REVISED:

SCALE: 3/8" = 1'-0"

A6.2

Project Phase
PERMIT SET

COPYRIGHT © 2015 BY LAVALLÉE BRENSINGER PROFESSIONAL ASSOCIATION. ALL RIGHTS RESERVED. NO REPRODUCTION WITHOUT PERMISSION.

7/22/2015 2:49:25 AM C:\Projects\14049\USM\C300 Chem Lab_Corridor Revit 2015.mcd\mcd.men