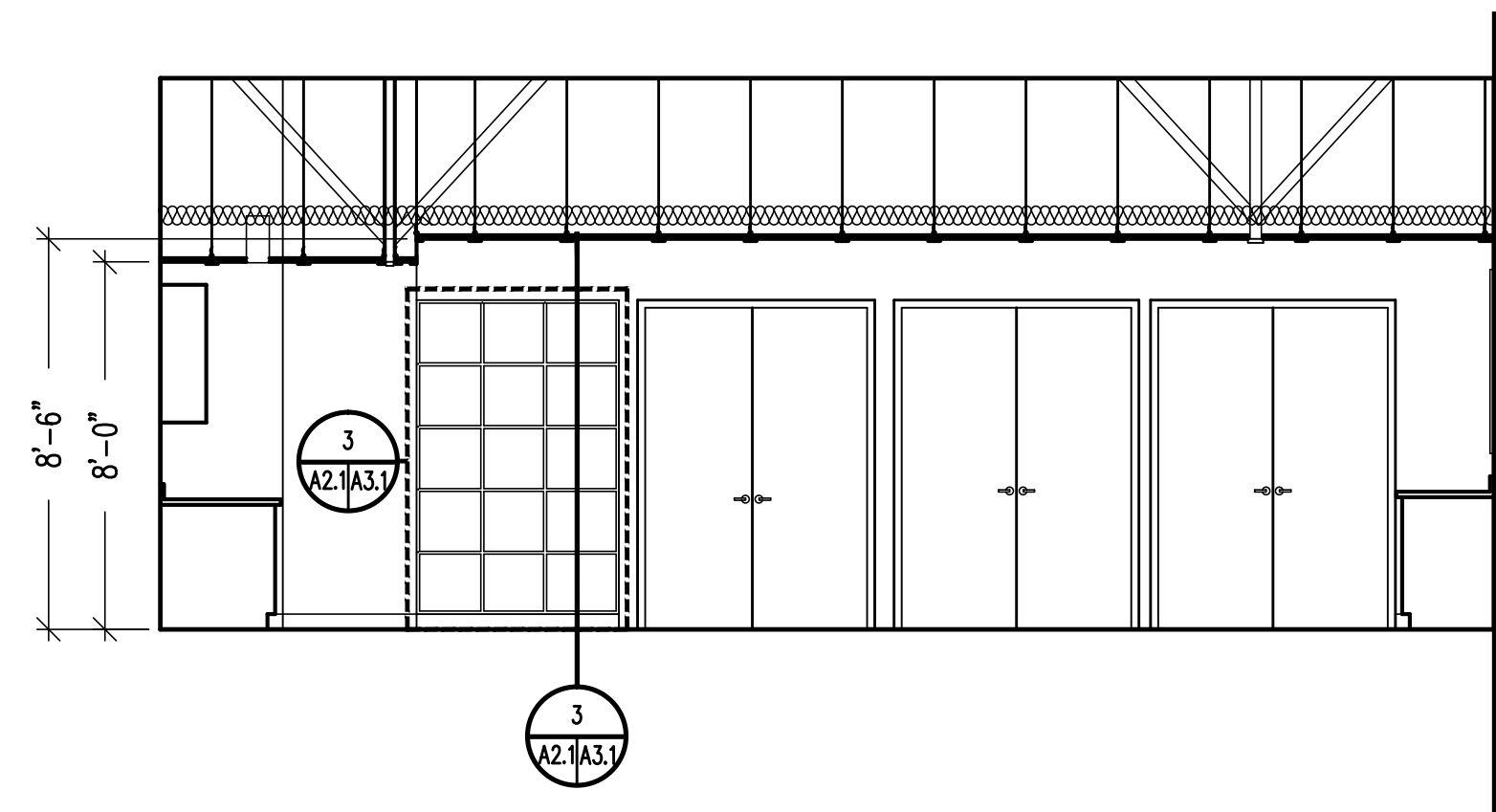
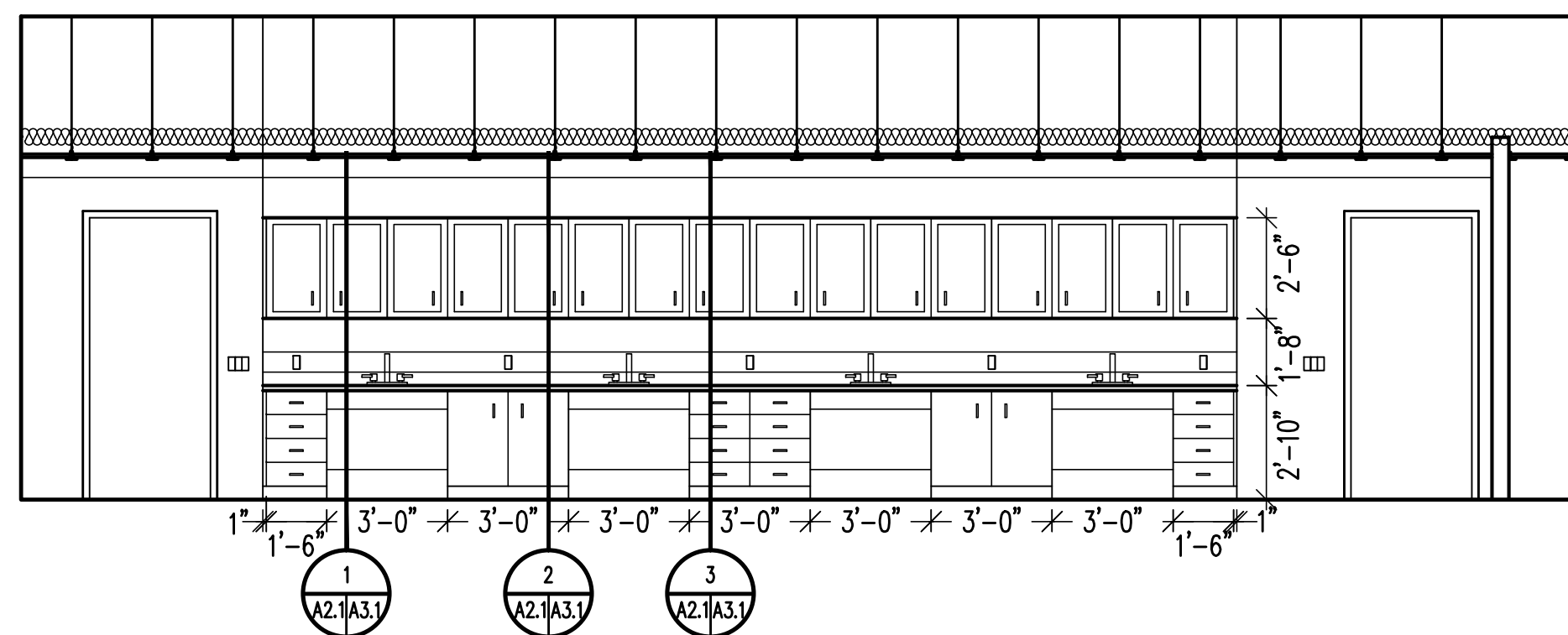


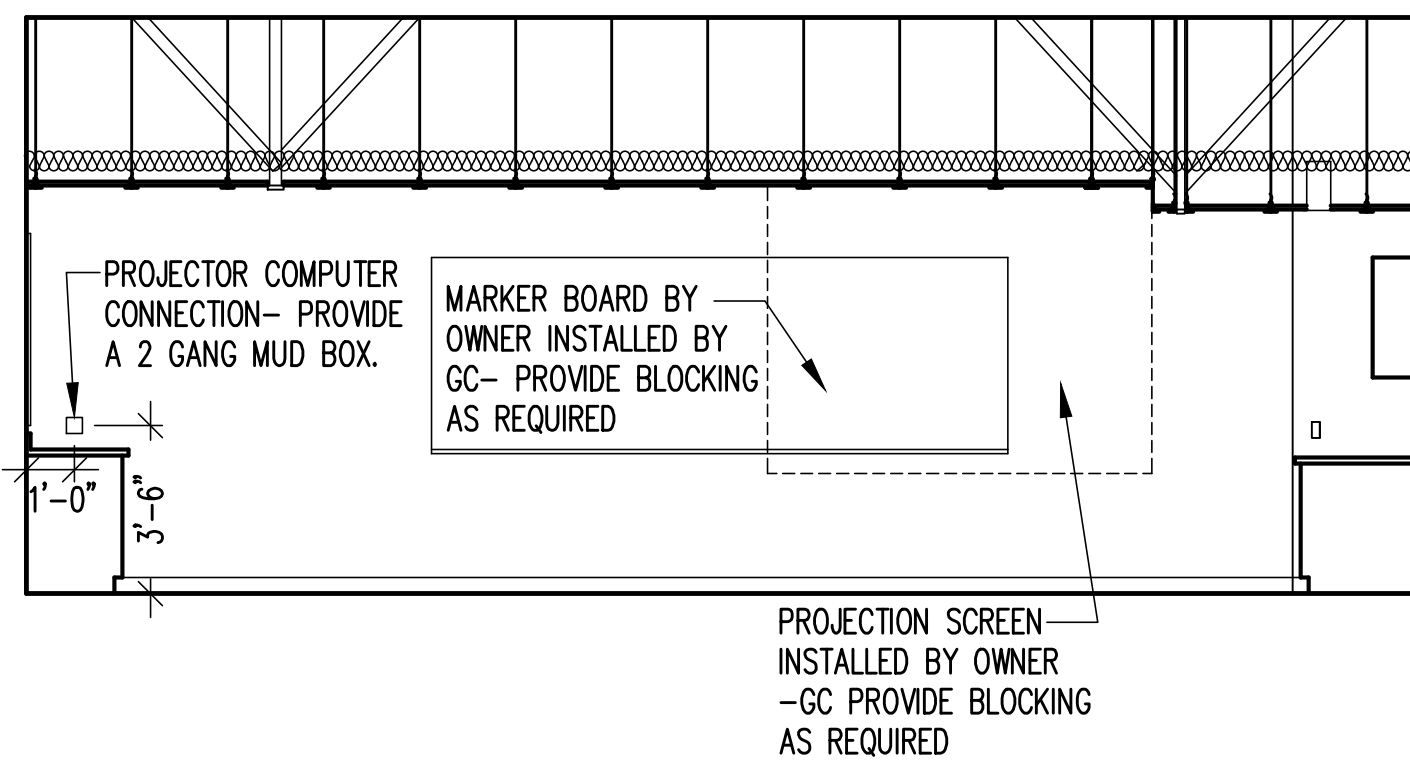
4 INTERIOR ELEVATION  
A1.1|A1.1 0 4'-0" SCALE: 1/4" = 1'-0"



3 INTERIOR ELEVATION  
A1.1|A1.1 0 4'-0" SCALE: 1/4" = 1'-0"



2 INTERIOR ELEVATION  
A1.1|A1.1 0 4'-0" SCALE: 1/4" = 1'-0"



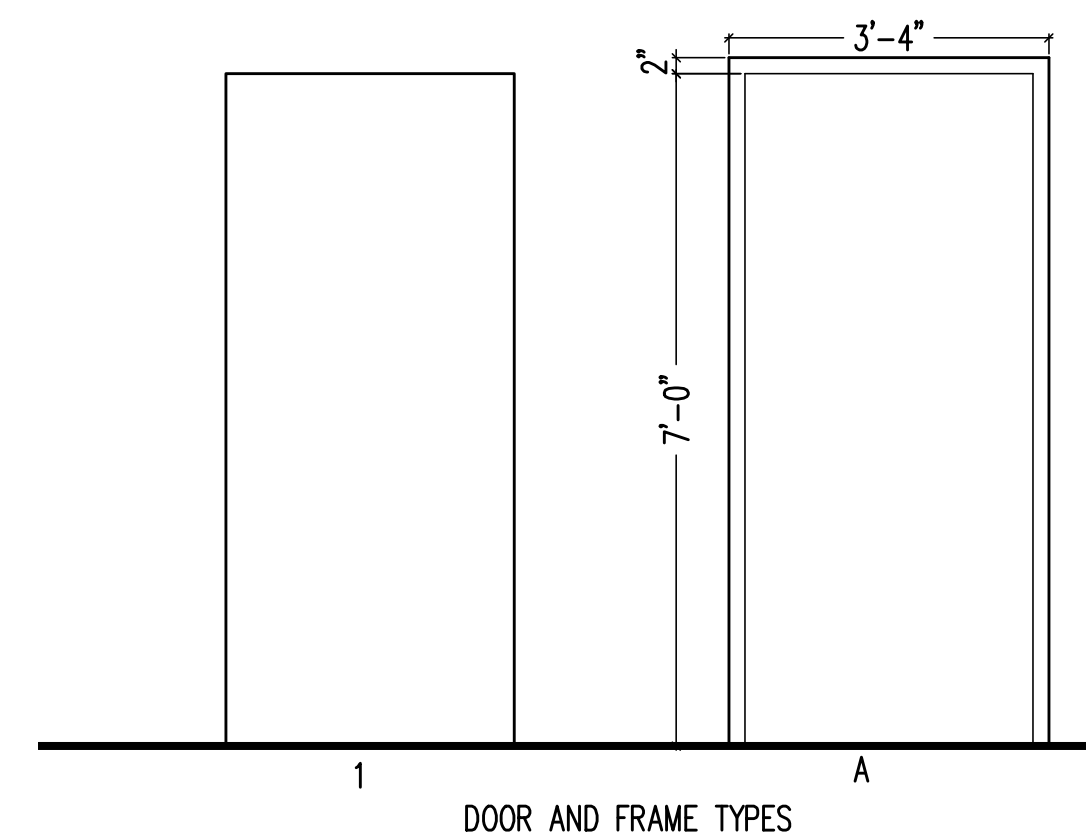
1 INTERIOR ELEVATION  
A1.1|A1.1 0 4'-0" SCALE: 1/4" = 1'-0"

ROOM FINISH SCHEDULE																
NUM	NAME	FLOOR	BASE	WALLS						CEILING						
				N	E	S	W	MATERIAL	FINISH	HEIGHT	NOTES					
B160	BIOLOGY LAB	VCT	VCT1	VN1	GWB	P1	GWB	P1	GWB	P1	GWB	P1	ACT	P1	MATCH EXG	--

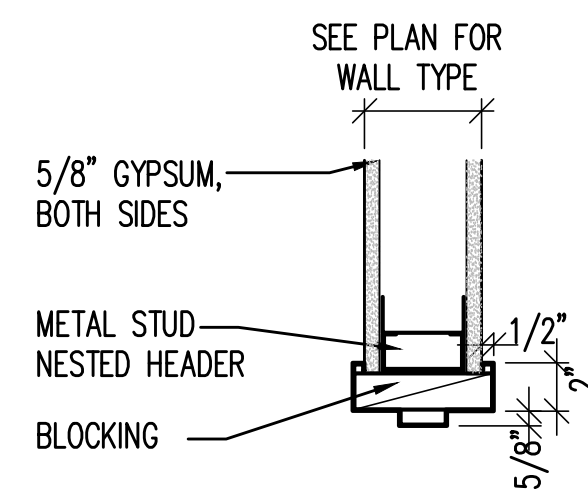
NOTES: ALL FINISHES TO BE COORDINATED/VERIFIED BY THE OWNER

FINISHES- ALL FINISHES TO BE COORDINATED/VERIFIED BY THE OWNER		
VCT1	VINYL COMP. TILE	Mannington Commercial
VN1	VINYL BASE	4" Cove Base- JOHNSONITE
TS1	TRANSITION STRIP	TO BE DETERMINED
CLG 1	CEILING SYSTEM	2x2- SUSPENSION SYSTEM W/ CORTEGA TEGULAR 704 TILES
P1	PAINT	GLIDDEN PAINT- COLOR TBD

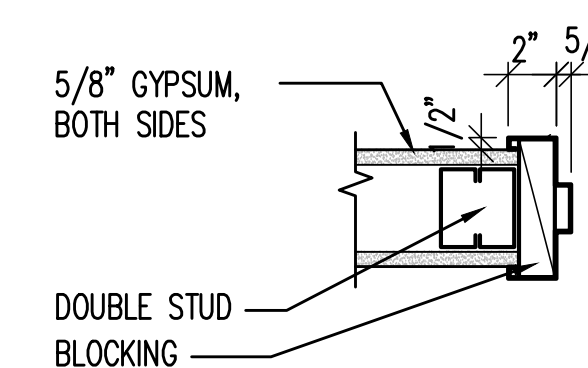
DOOR SCHEDULE									
NUM	DESCRIPTION	SIZE	DOOR			FRAME		HARDWARE	NOTES
			MAT	TYPE	RATING	MAT	TYPE		
266A	LAB 266 TO CORRIDOR	EXISTING	--	--	--	--	--	--	--
266B	LAB 266 TO CORRIDOR	EXISTING	--	--	--	--	--	--	--
266C	CLOSET TO LAB 266	3'-0" x 7'-0"	WD	1		HM	A	--	--
266D	CLOSET TO LAB 266	3'-0" x 7'-0"	WD	1		HM	A	--	--
266E	CLOSET TO LAB 266	3'-0" x 7'-0"	WD	1		HM	A	--	--



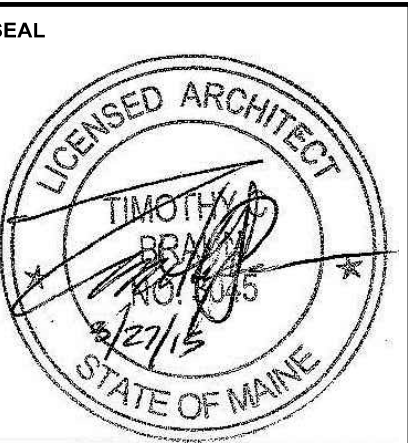
2 INTERIOR ELEVATION  
A1.1|A1.1 0 4'-0" SCALE: 1/4" = 1'-0"



2 INTERIOR ELEVATION  
A1.1|A1.1 0 4'-0" SCALE: 1/4" = 1'-0"



1 INTERIOR ELEVATION  
A1.1|A1.1 0 4'-0" SCALE: 1/4" = 1'-0"



REVISIONS	
DATE	DESCRIPTION

SHEET TITLE  
ELEVATIONS  
SCHEDULES AND  
DETAILS

JOB NO.  
2014-026

DRAWN BY  
TCB

CHECKED BY  
ALT

SCALE

SHEET  
A2.1

PRINT DATE  
MARCH 27, 2015