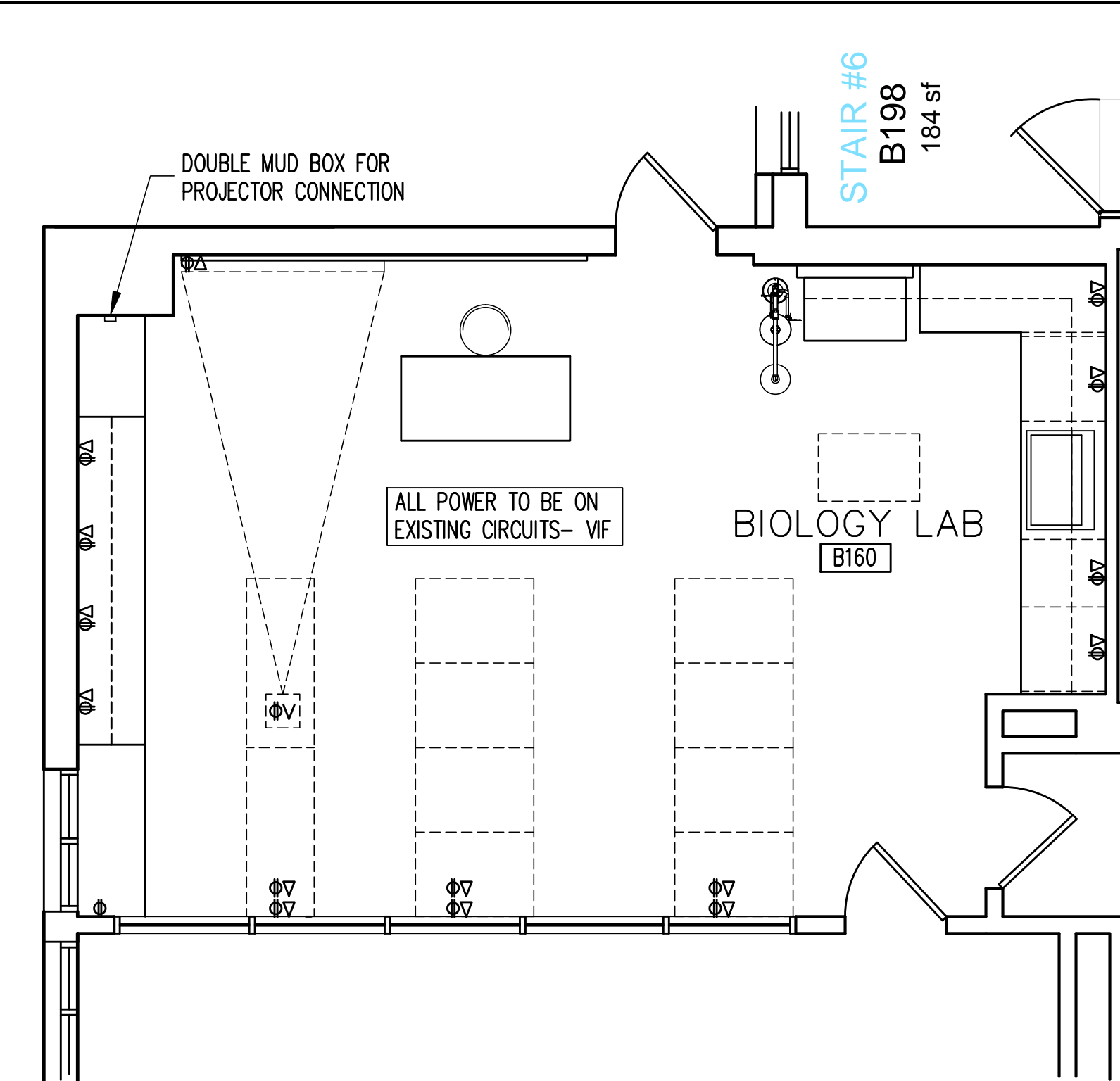
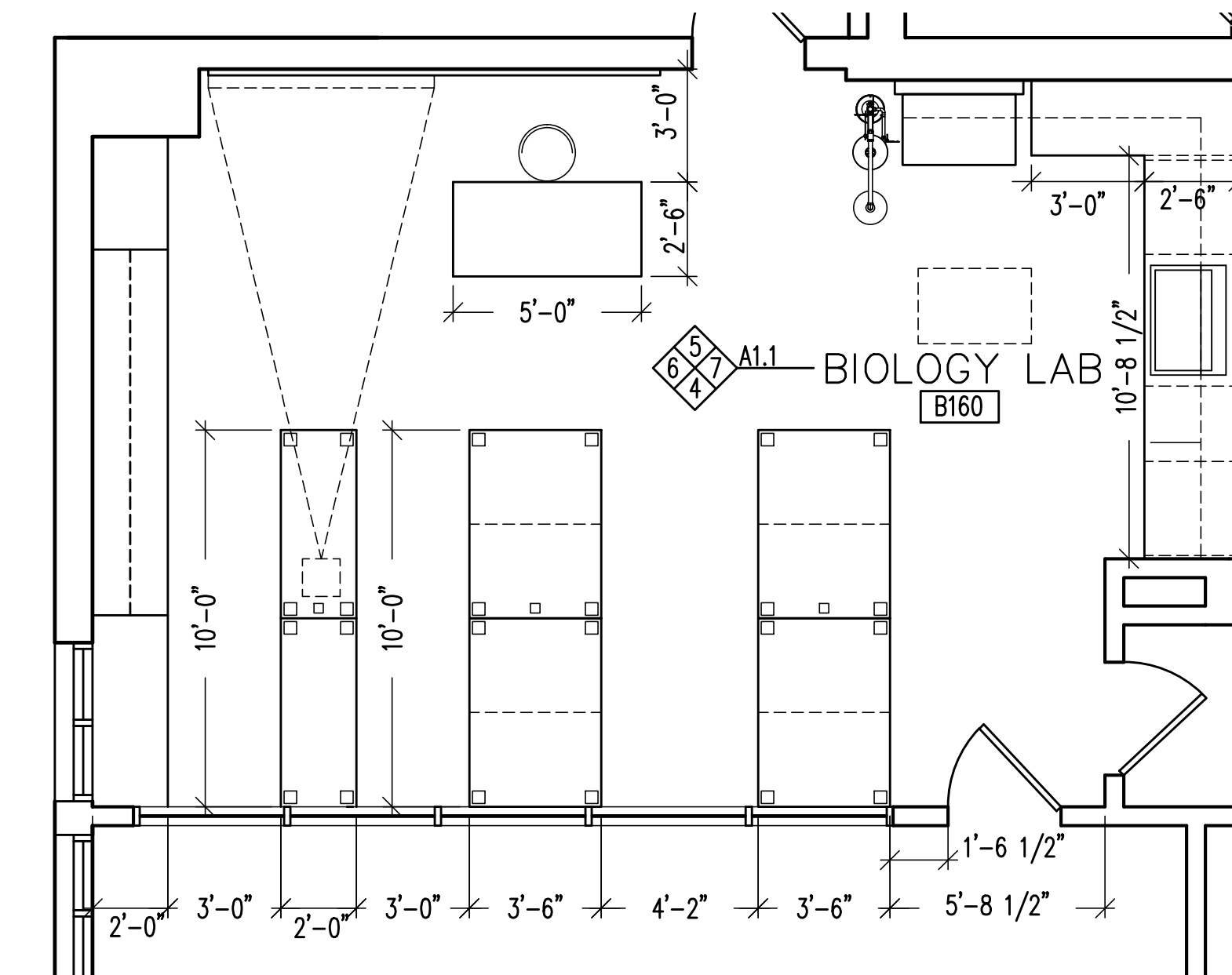


3 DEMO PLAN
SCALE: 1/4" = 1'-0"



9 POWER PLAN
SCALE: 1/4" = 1'-0"



2 FLOOR PLAN
SCALE: 1/4" = 1'-0"

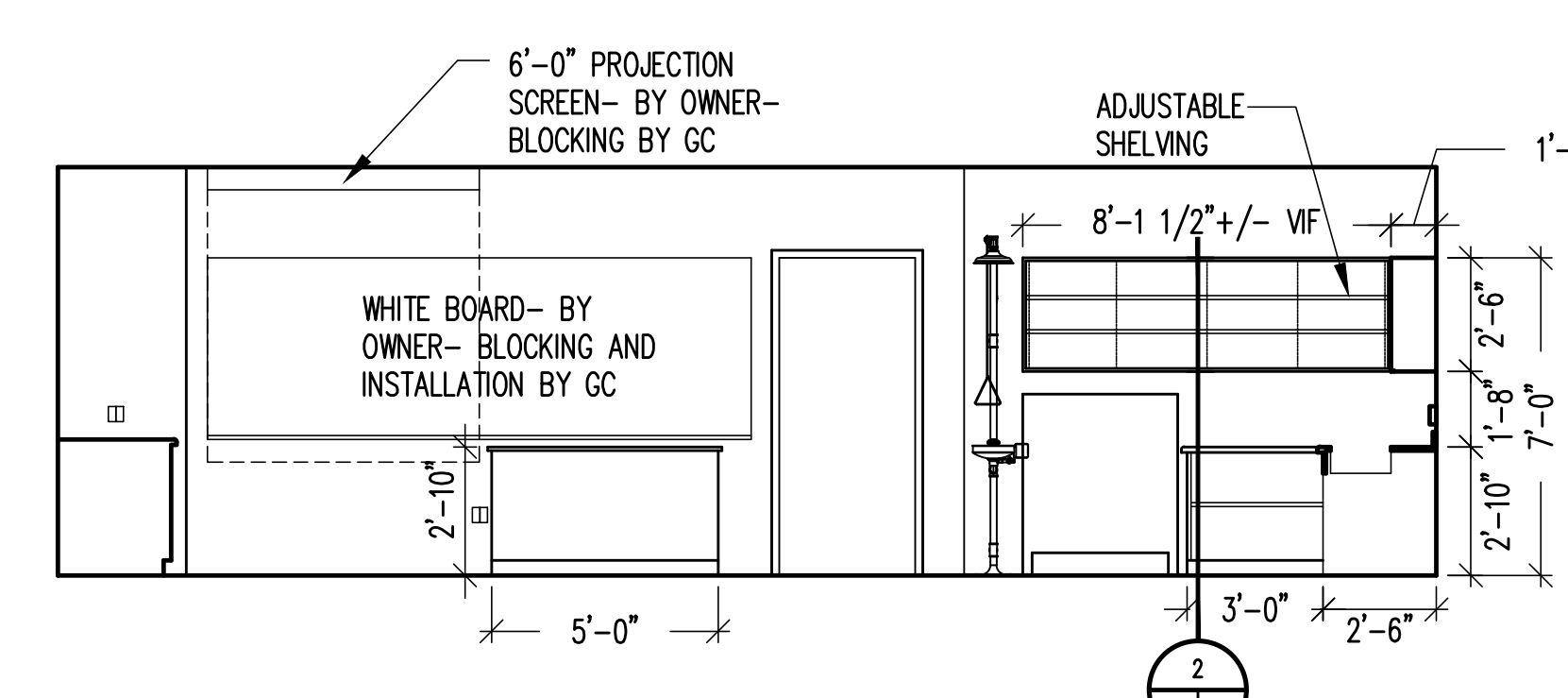
ROOM FINISH SCHEDULE

NUM	NAME	FLOOR	BASE	WALLS					CEILING		NOTES		
				N	FINISH E	FINISH S	FINISH W	FINISH	MATERIAL	FINISH HEIGHT			
B160	BIOLOGY LAB	CONCRETE P2	VINYL VB1	GWB	P1	GWB	P1	GWB	P1	ACT	P1	MATCH EXG	---

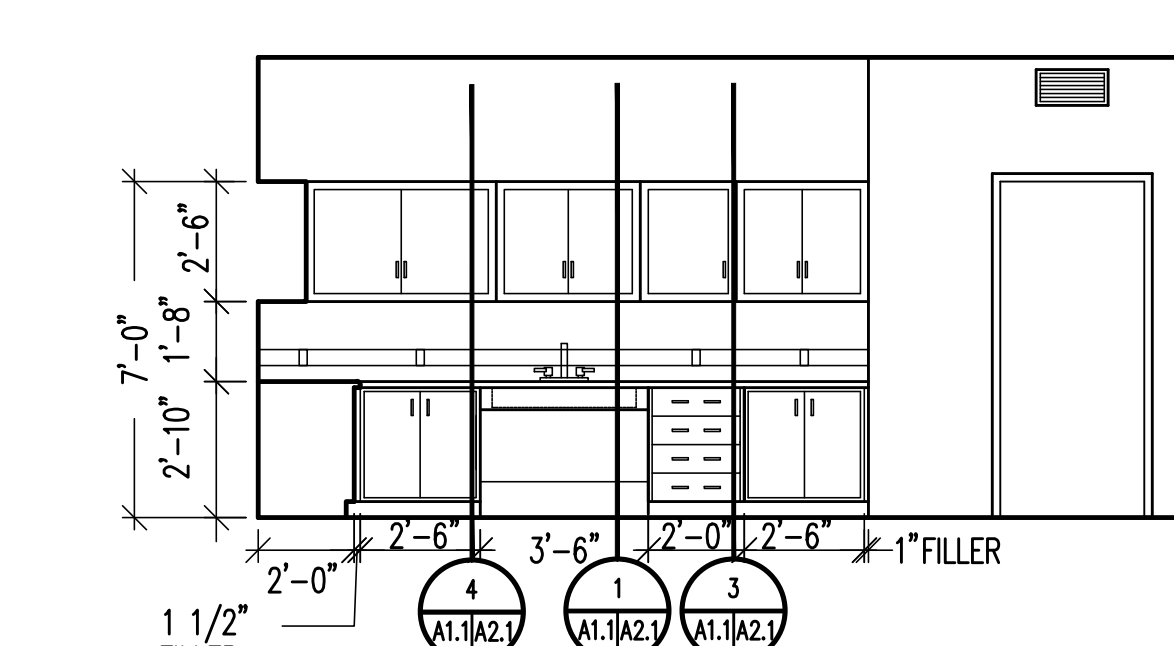
NOTES: ALL FINISHES TO BE COORDINATED/VERIFIED BY THE OWNER

FINISHES- ALL FINISHES TO BE COORDINATED/VERIFIED BY THE OWNER

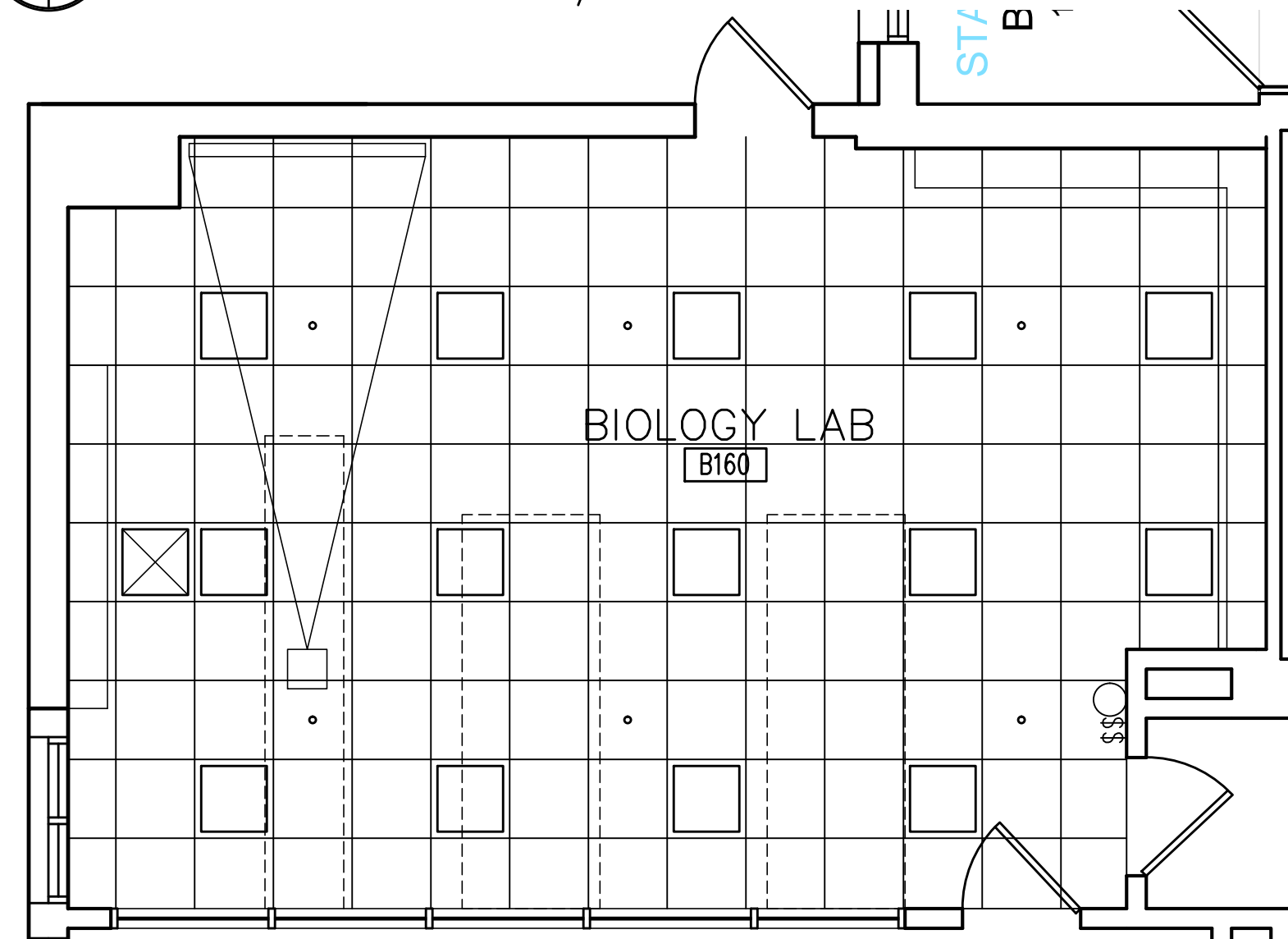
VCT1	VINYL COMP. TILE	Mannington Commercial
VB1	VINYL BASE	4" Cove Base- JOHNSONITE
TS1	TRANSITION STRIP	TO BE DETERMINED
CLG 1	CEILING SYSTEM	2x2- SUSPENSION SYSTEM W/ CORTEGA REGULAR 704 TILES
P1	PAINT	GLIDDEN PAINT- COLOR TBD
P2	PAINT	CONCRET EPOXY PAINT- COLOR TBD



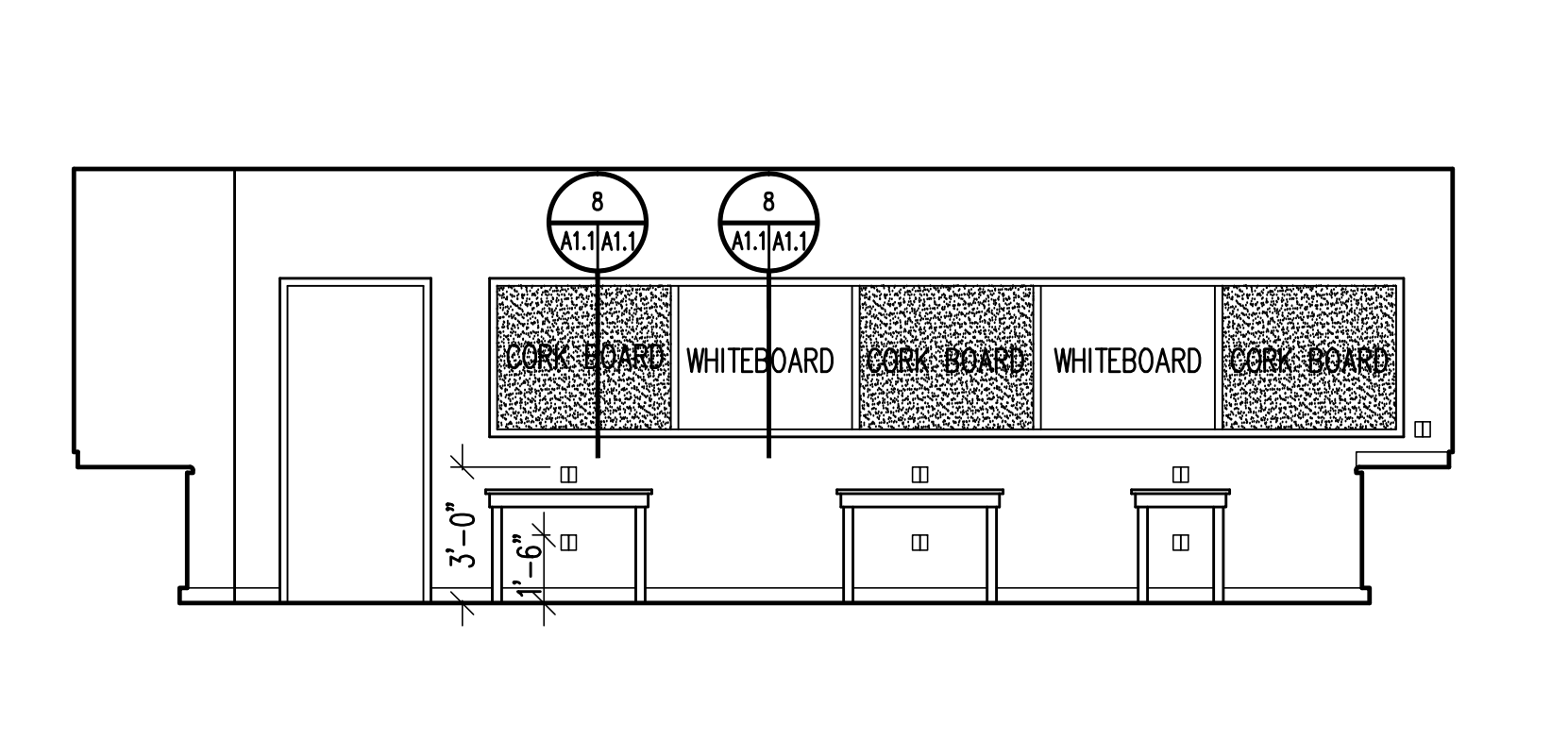
5 INTERIOR ELEVATION
SCALE: 1/4" = 1'-0"



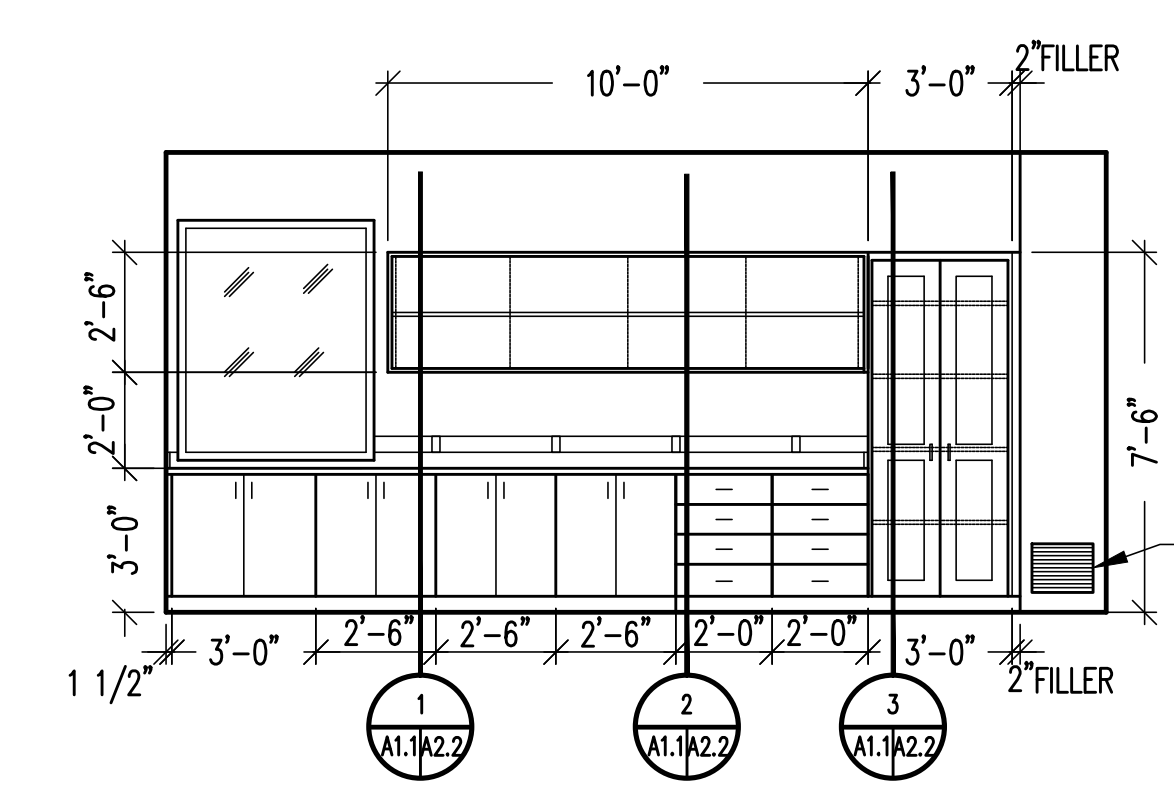
7 INTERIOR ELEVATION
SCALE: 1/4" = 1'-0"



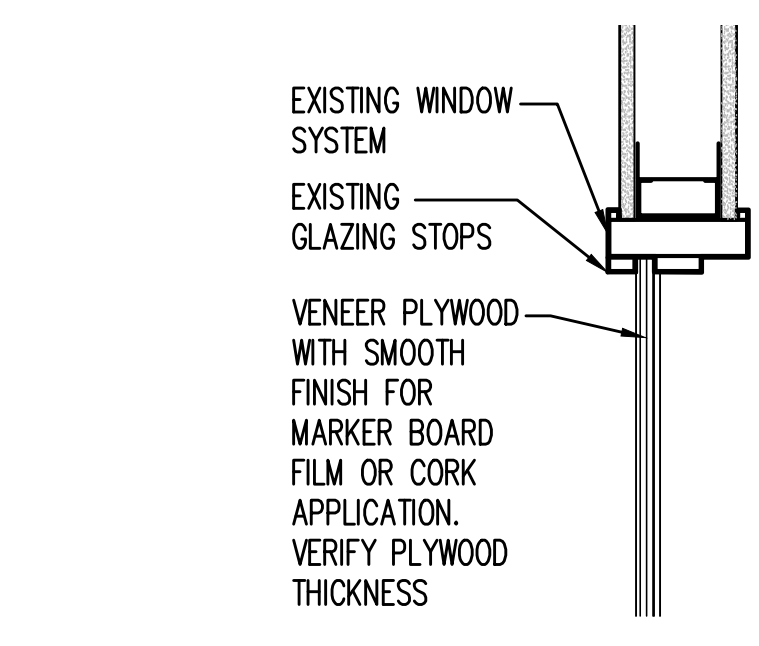
1 REFLECTED CEILING PLAN
SCALE: 1/4" = 1'-0"



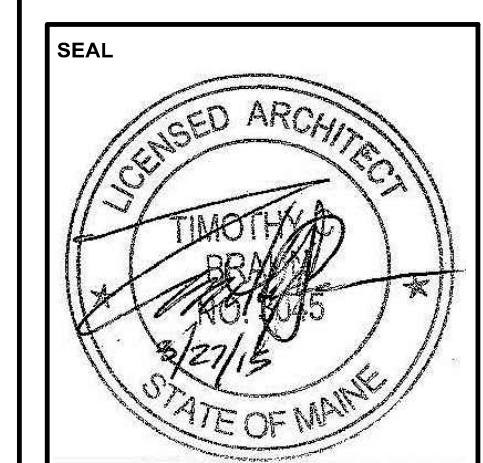
4 INTERIOR ELEVATION
SCALE: 1/4" = 1'-0"



6 INTERIOR ELEVATION
SCALE: 1/4" = 1'-0"



8 BORROWED LITE DETAIL
SCALE: 1-1/2" = 1'-0"



REVISIONS

DATE	DESCRIPTION
3-27-15	ISSUED FOR CONSTRUCTION

SHEET TITLE
PLANS, ELEVATIONS AND DETAILS

JOB NO.
2014-026B

DRAWN BY
TCB

CHECKED BY
ALT

SCALE

SHEET
A1.1

PRINT DATE
MARCH 27, 2015
ISSUED FOR CONSTRUCTION