

REVISIONS	
DATE	DESCRIPTION

SHEET TITLE
SECTIONS AND DETAILS

JOB NO.
2014-026

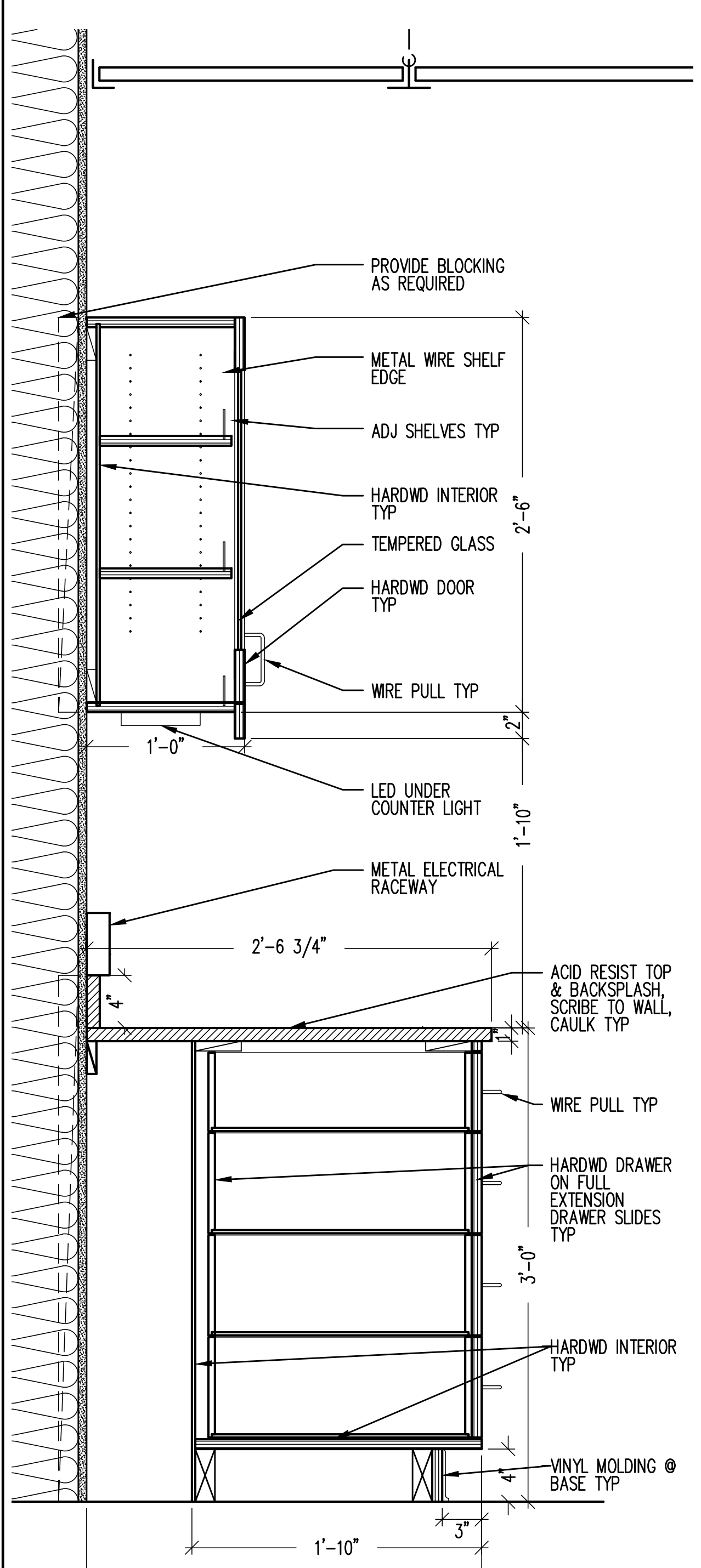
DRAWN BY
TCB

CHECKED BY
ALT

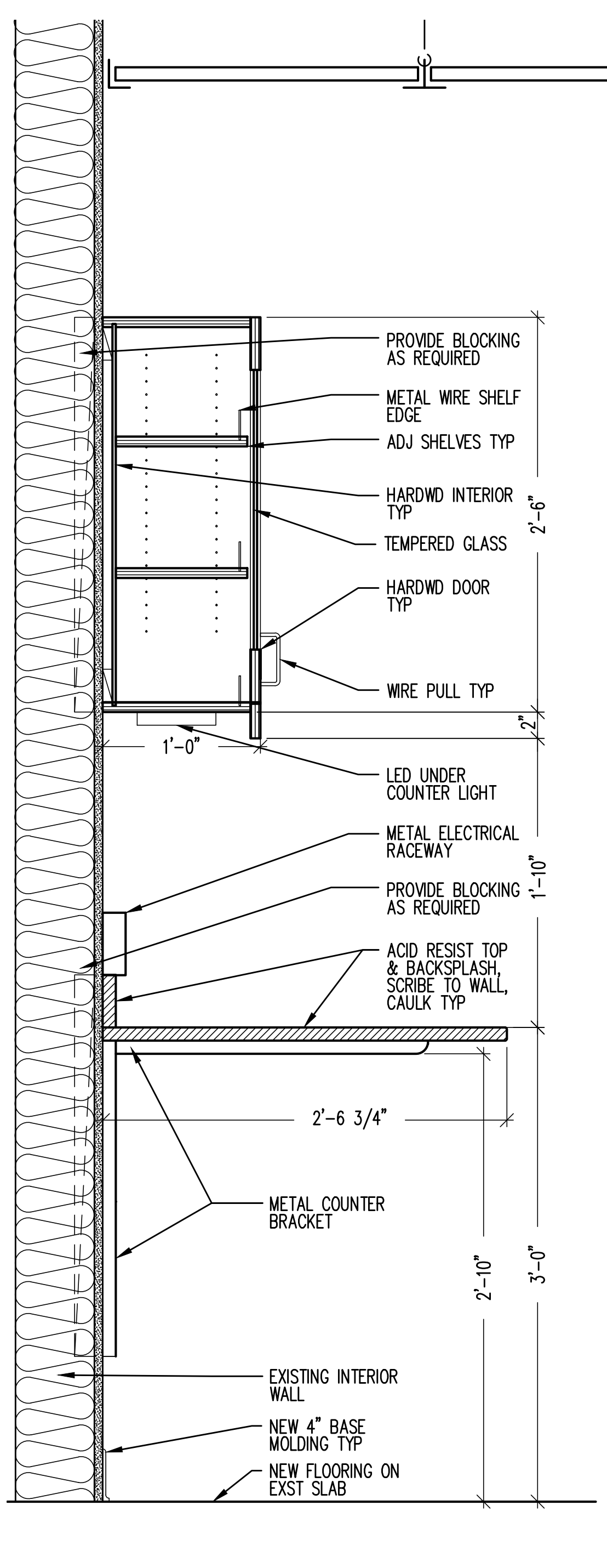
SCALE

SHEET
A3.1

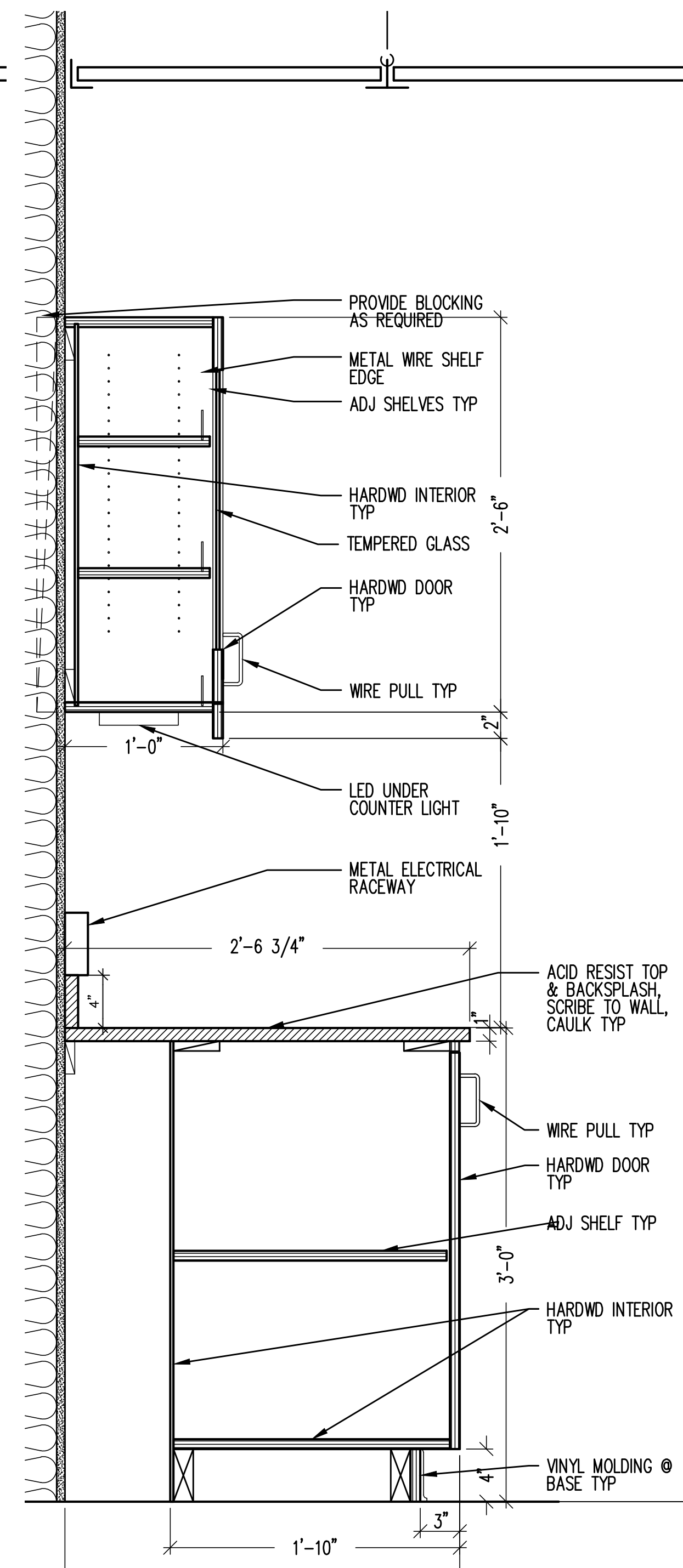
PRINT DATE
March 27, 2015
ISSUED FOR CONSTRUCTION



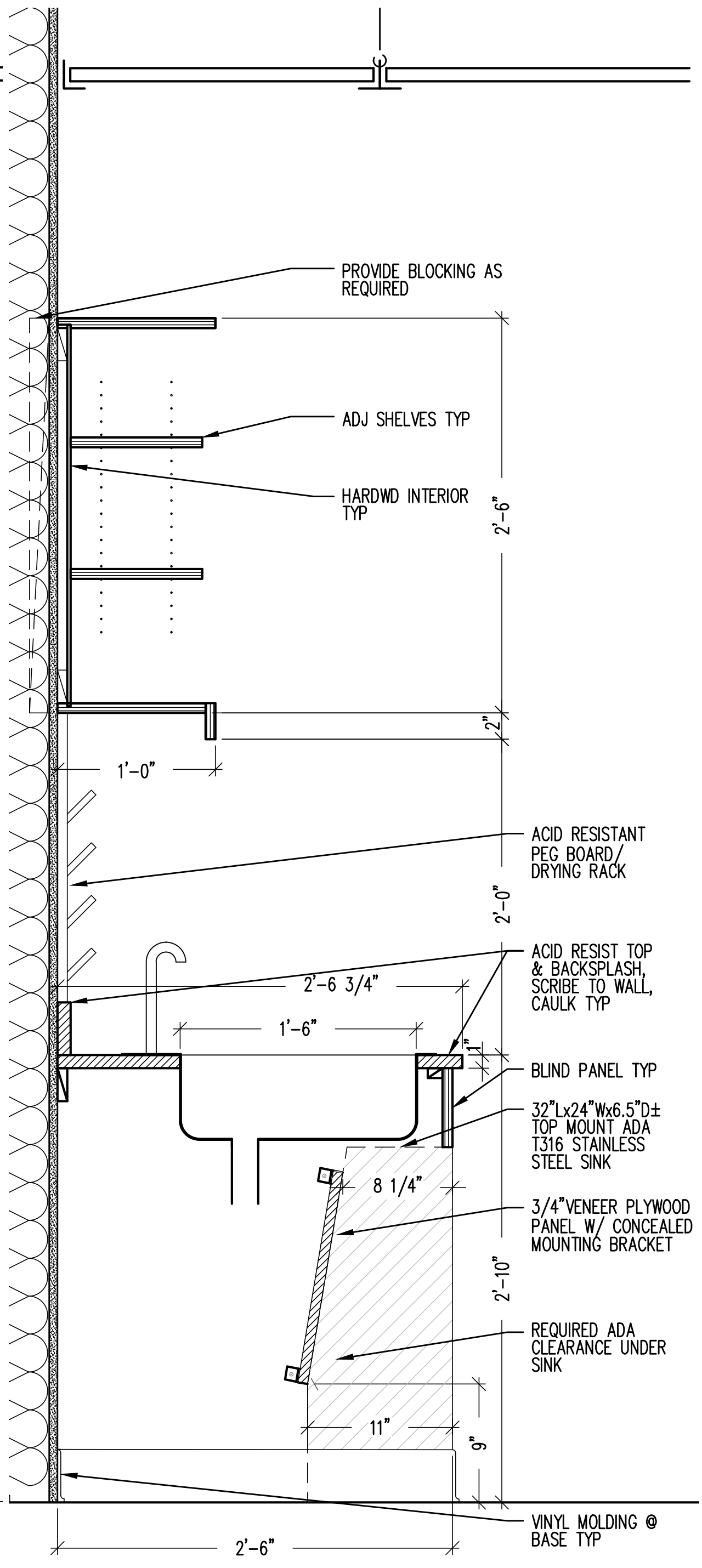
1 CASEWORK SECTION
A1.1/A3.1 0 8" SCALE: 1-1/2" = 1'-0"



2 CASEWORK SECTION
A1.1/A3.1 0 8" SCALE: 1-1/2" = 1'-0"



3 CASEWORK SECTION
A1.1/A3.1 0 8" SCALE: 1-1/2" = 1'-0"



4 CASEWORK SECTION
A1.1/A3.1 0 8" SCALE: 1-1/2" = 1'-0"