

160 Veranda Street
 Portland, Maine 04103
 T: 207.231.2349
 F: 207.231.2346
 Web: www.allied-eng.com

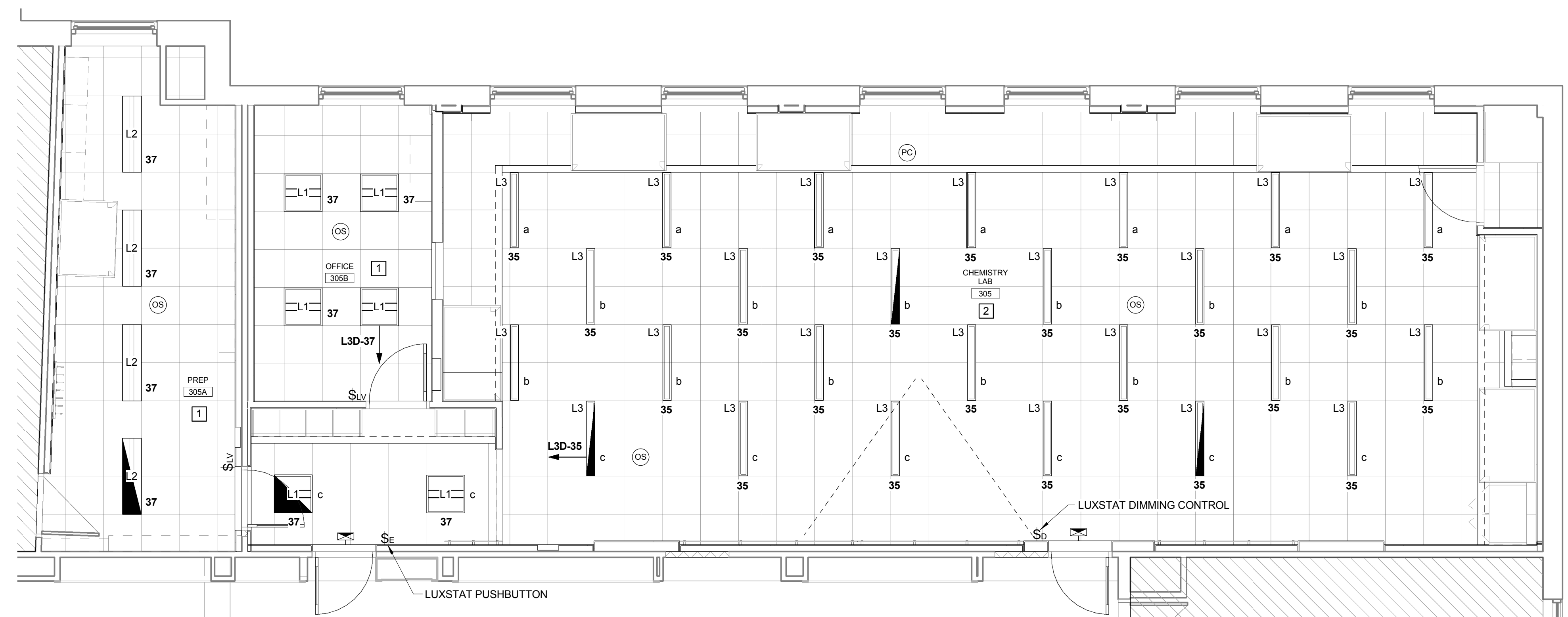
UNIVERSITY OF SOUTHERN MAINE

**PAYSON-SMITH HALL
 CHEMISTRY LAB
 RENOVATION**

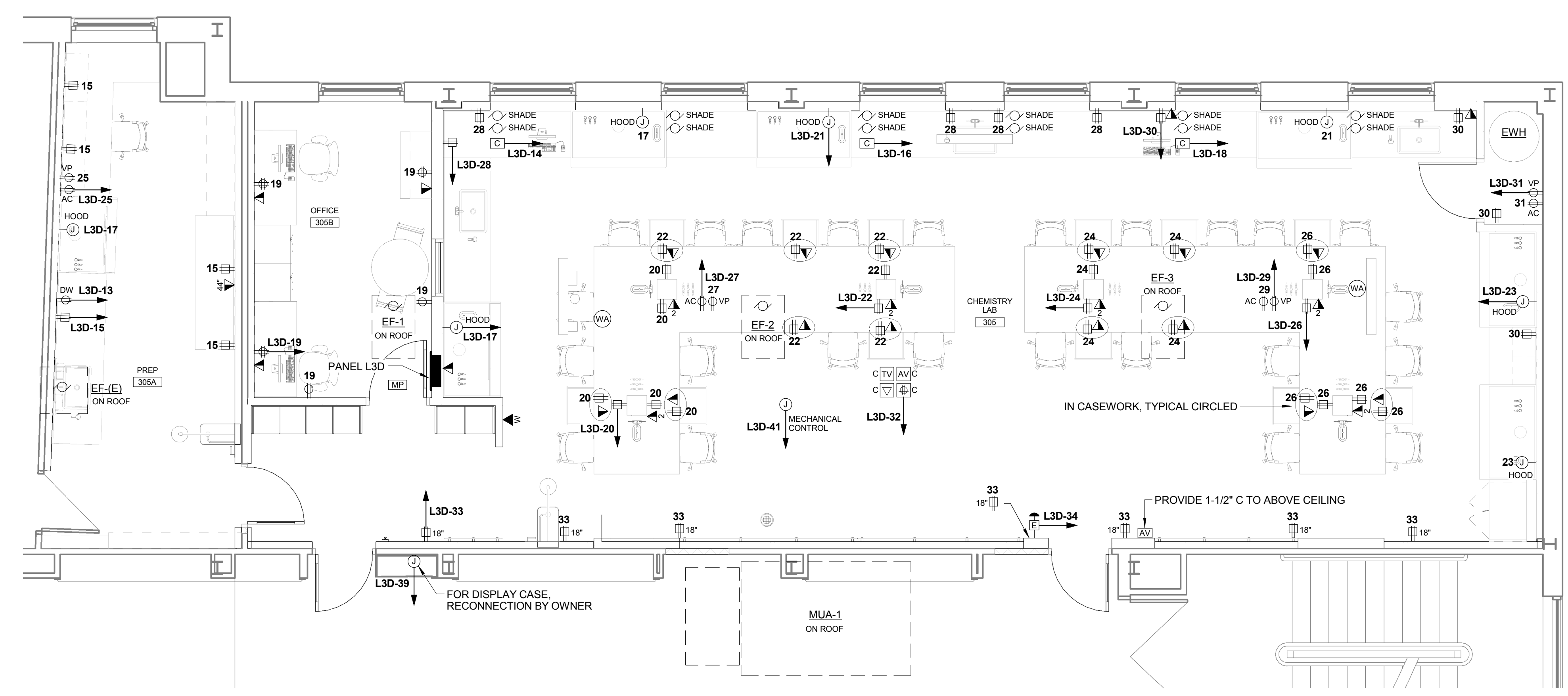
96 Falmouth Street, Portland, ME,
 04101

NO.	DESCRIPTION	DATE

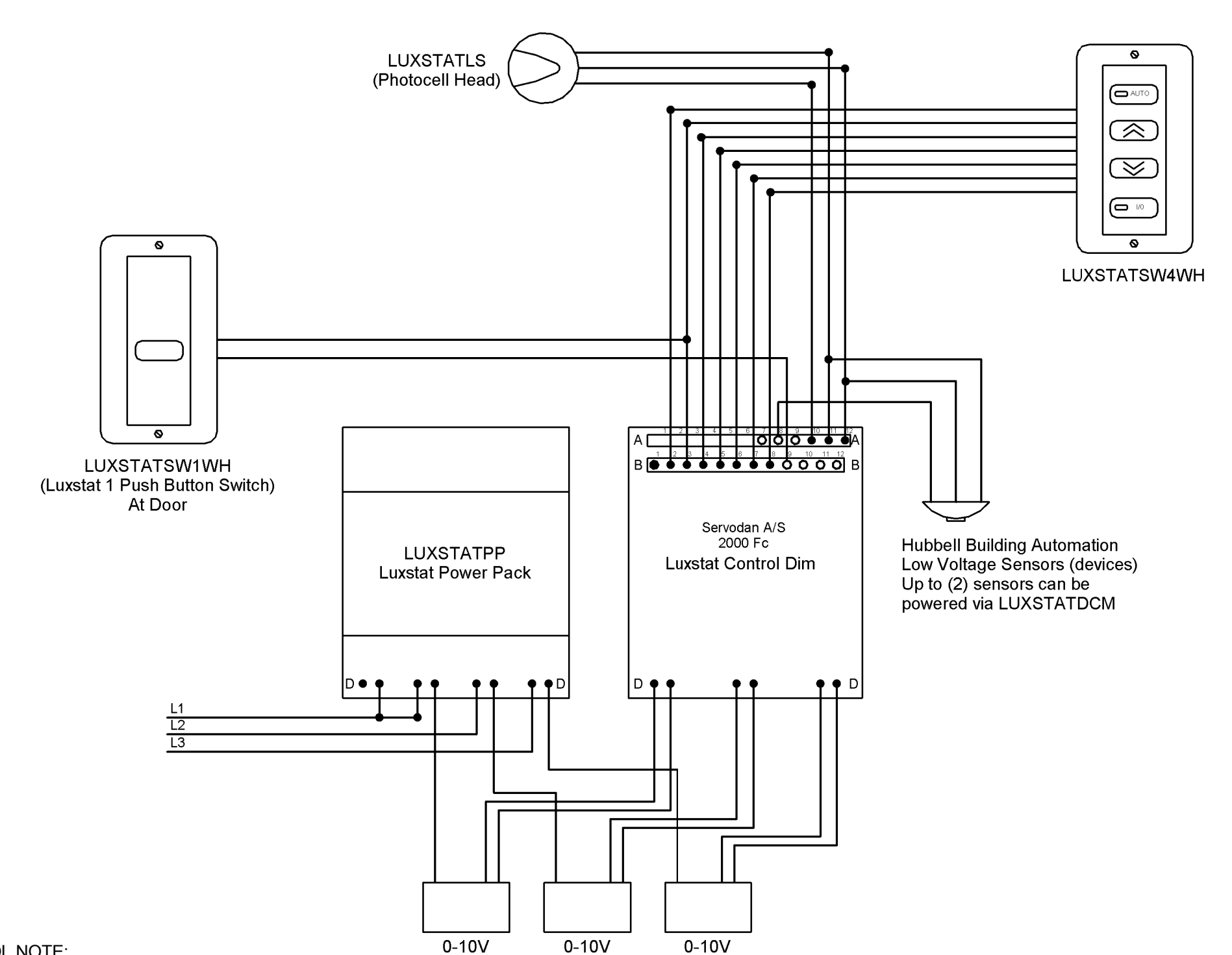
CONTENT: THIRD FLOOR LIGHTING AND POWER AND SYSTEMS PART PLANS	
DRAWN BY:	DLL
PROJECT NO.:	2014-049
DATE:	01/09/2015
REVISED:	
SCALE:	AS NOTED
E1.0	
Project Phase BID DOCUMENTS	
COPYRIGHT © 2014 BY LAVALLEE BRENSINGER PROFESSIONAL ASSOCIATION. ALL RIGHTS RESERVED. NO REPRODUCTION WITHOUT PERMISSION.	



E1 THIRD FLOOR LIGHTING PLAN
 1/4" = 1'-0"

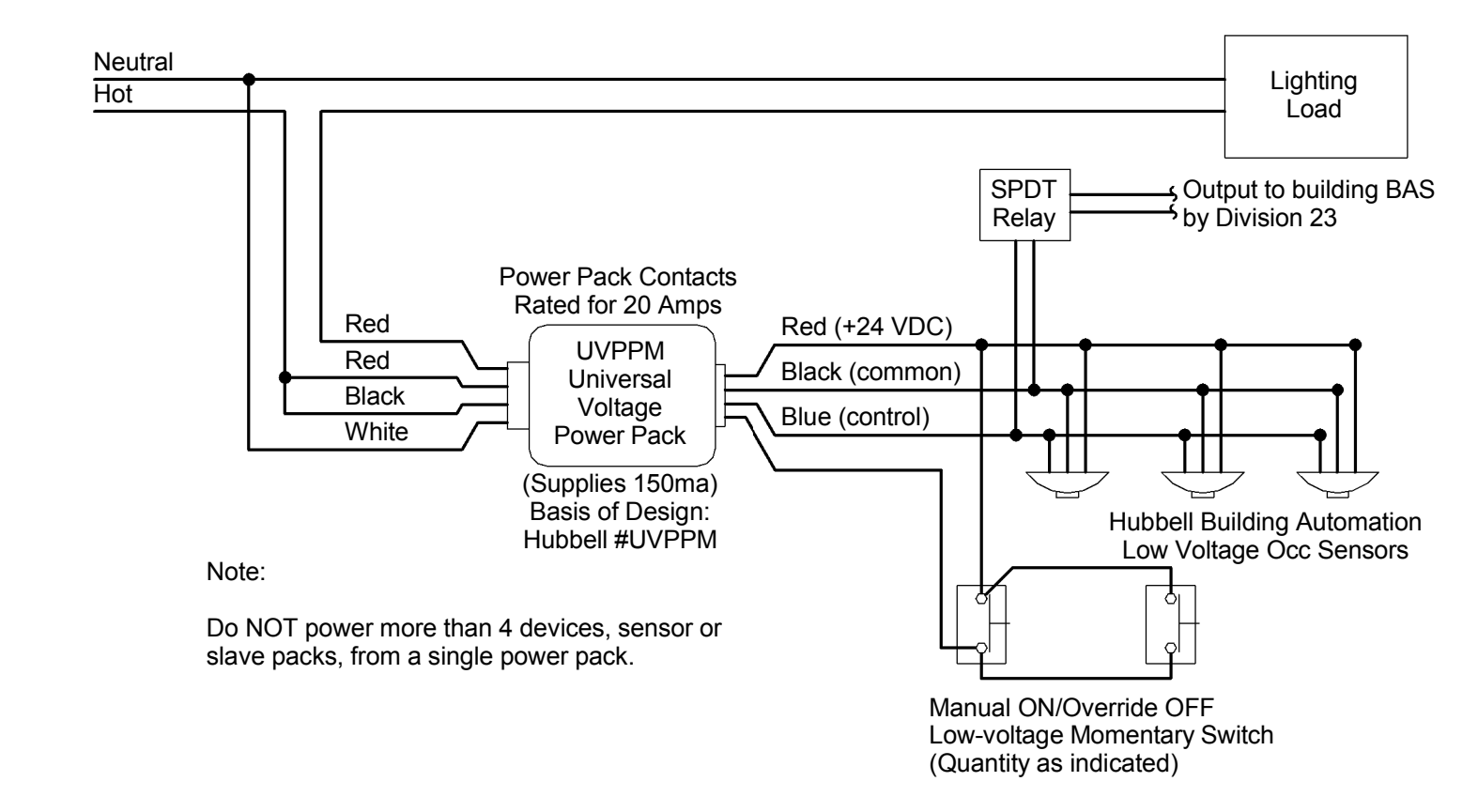


J1 THIRD FLOOR POWER AND SYSTEMS PLAN
 1/4" = 1'-0"



LIGHTING CONTROL NOTE:
 LIGHTING CONTROL SHALL BE AUTOMATIC DAYLIGHT HARVESTING WITH AUTOMATIC 0-10V DIMMING OF THREE ZONES TO MAINTAIN 90 FOOTCANDLES AVERAGE ON THE WORKPLANE AND AUTOMATIC SHUTOFF VIA OCCUPANCY SENSORS. MANUAL OVERRIDE ON/OFF AND MASTER DIMMING SHALL BE PROVIDED AT ONE ROOM ENTRANCE AND A LOW-VOLTAGE PUSHBUTTON SWITCH FOR ON/OFF SHALL BE PROVIDED AT THE OTHER ROOM ENTRANCE.

G10 LUXSTATDCM WITH OCC SENSOR/DOOR SWITCH



LIGHTING CONTROL NOTE:
 LIGHTING CONTROL SHALL BE MANUAL-ON VIA LOW-SWITCH WITH AUTO-OFF VIA CEILING MOUNTED OCCUPANCY SENSOR(S). OCCUPANCY CONTROL SHALL PROVIDE OUTPUT TO BUILDING AUTOMATION SYSTEM VIA AUXILIARY RELAY SEE DETAIL J10/E-100.

J10 CEILING SENSORS WITH MANUAL ON/AUTO OFF CONTROL

N:\Projects\2014\4075 - USM Payson-05 Laboratory Renovation\03 Drawing Files\E1015_E1.RVT
 1/8/2015 8:12:35 AM