



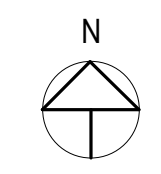
UNIVERSITY OF SOUTHERN MAINE

UNIVERSITY OF SOUTHERN MAINE

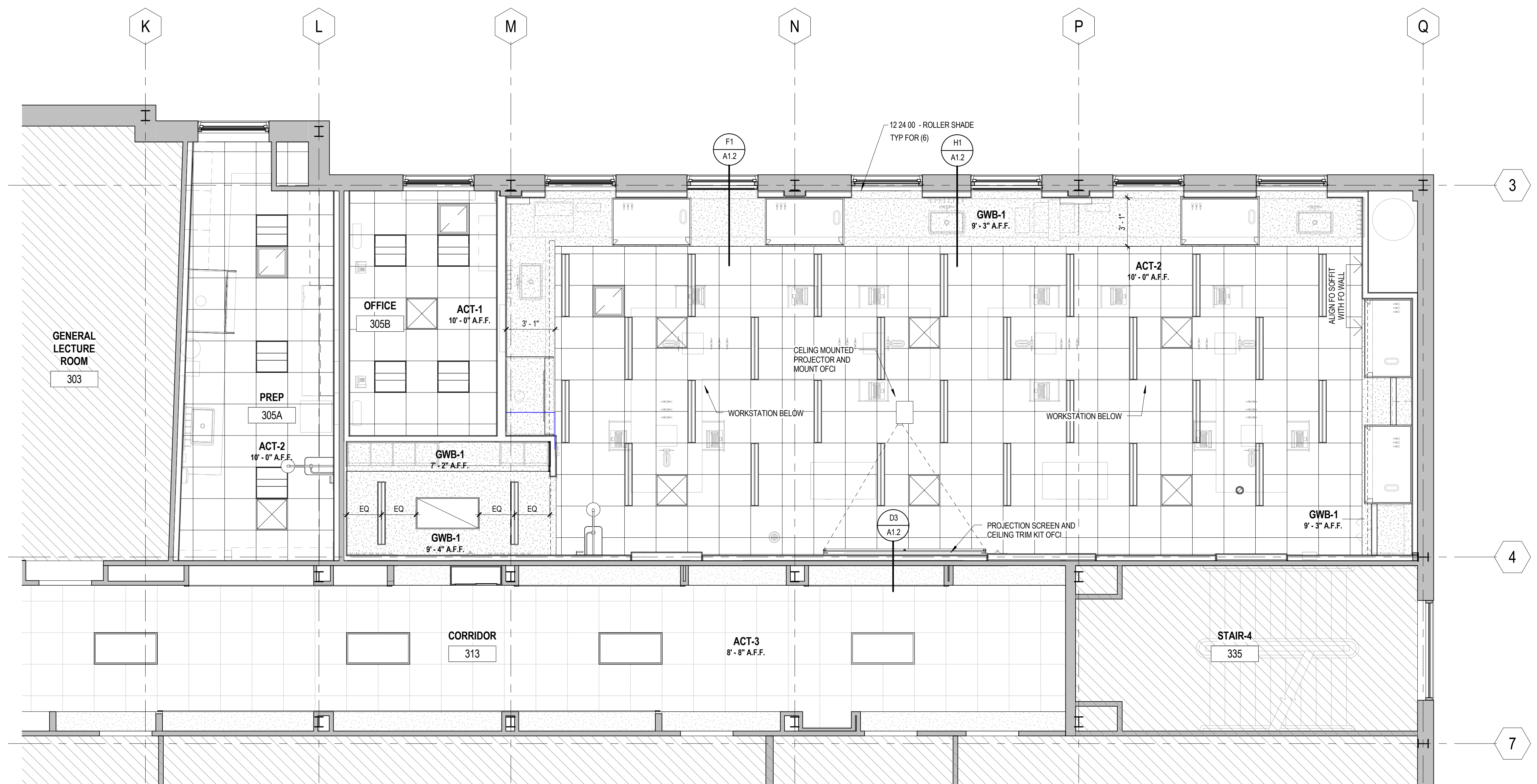
**PAYSON-SMITH HALL
 CHEMISTRY LAB
 RENOVATION**

96 Falmouth Street, Portland, ME,
 04101

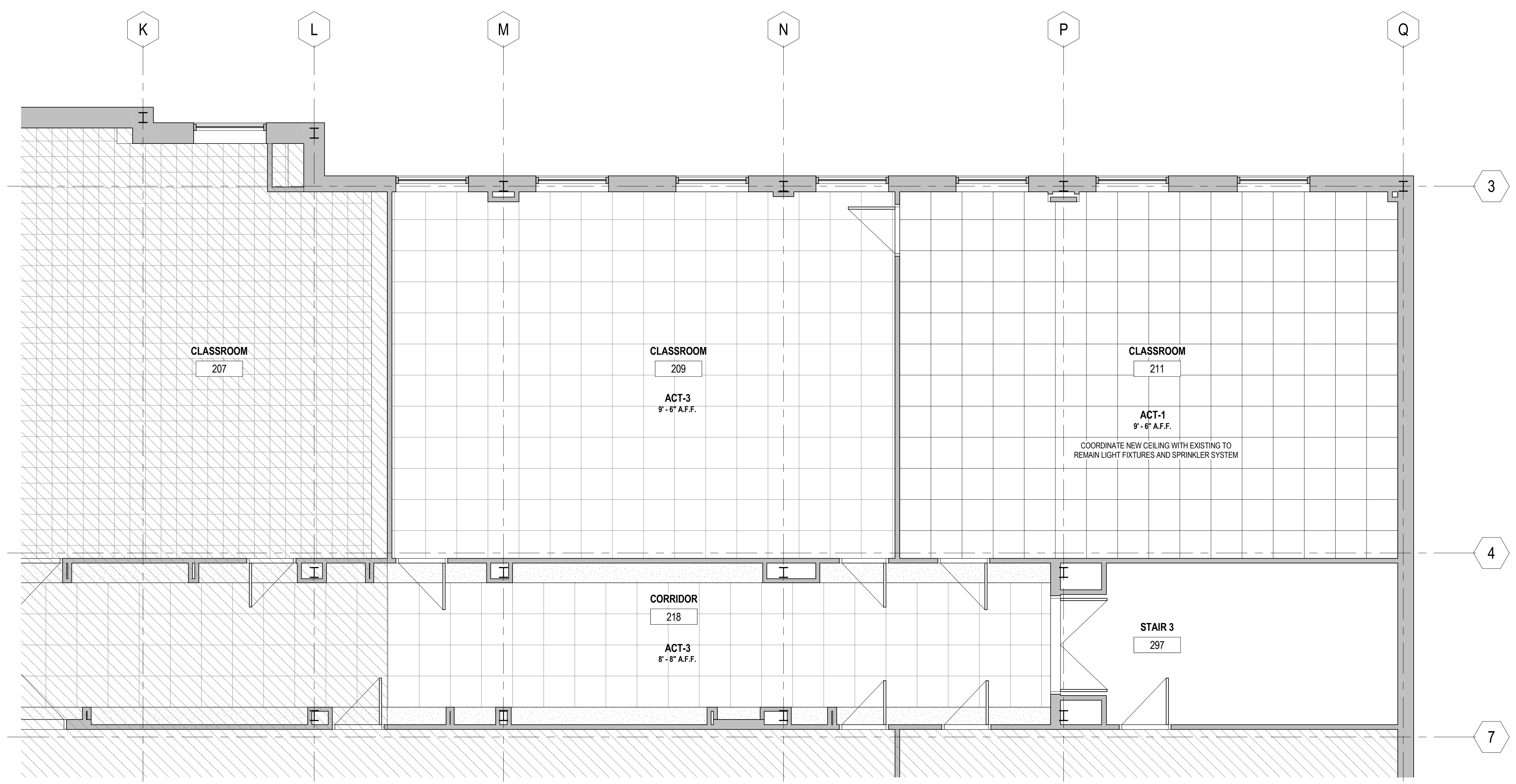
NO.	DESCRIPTION	DATE



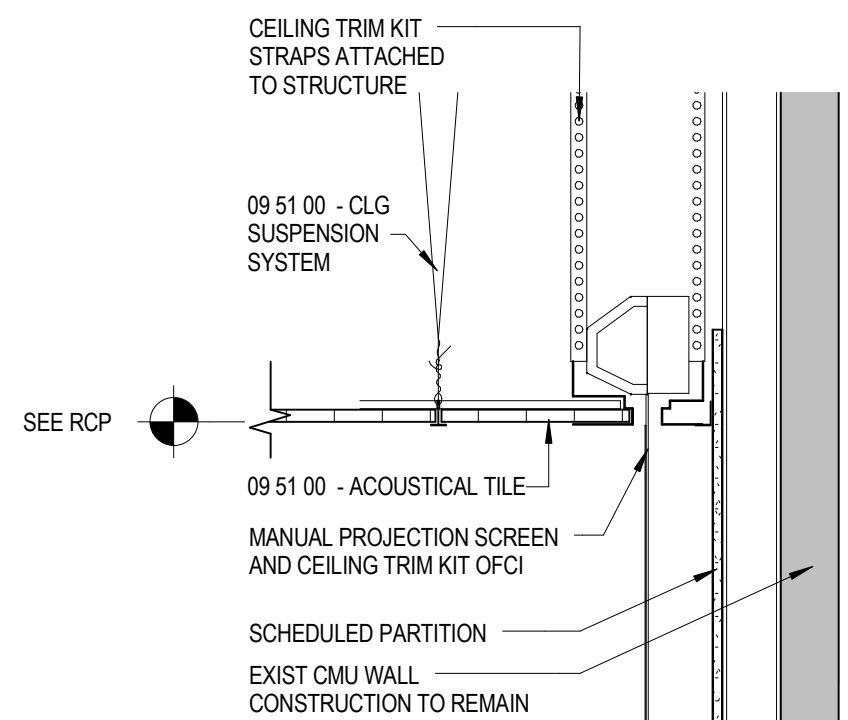
CONTENT: REFLECTED CEILING PLANS	
DRAWN BY:	Author
PROJECT NO:	14-049-00
DATE:	01/09/2015
REVISED:	
SCALE:	As indicated
A1.2	
Project Phase BID DOCUMENTS	
<small>COPYRIGHT © 2014 BY LAVALLEE BRENSINGER PROFESSIONAL ASSOCIATION. ALL RIGHTS RESERVED. NO REPRODUCTION WITHOUT PERMISSION.</small>	



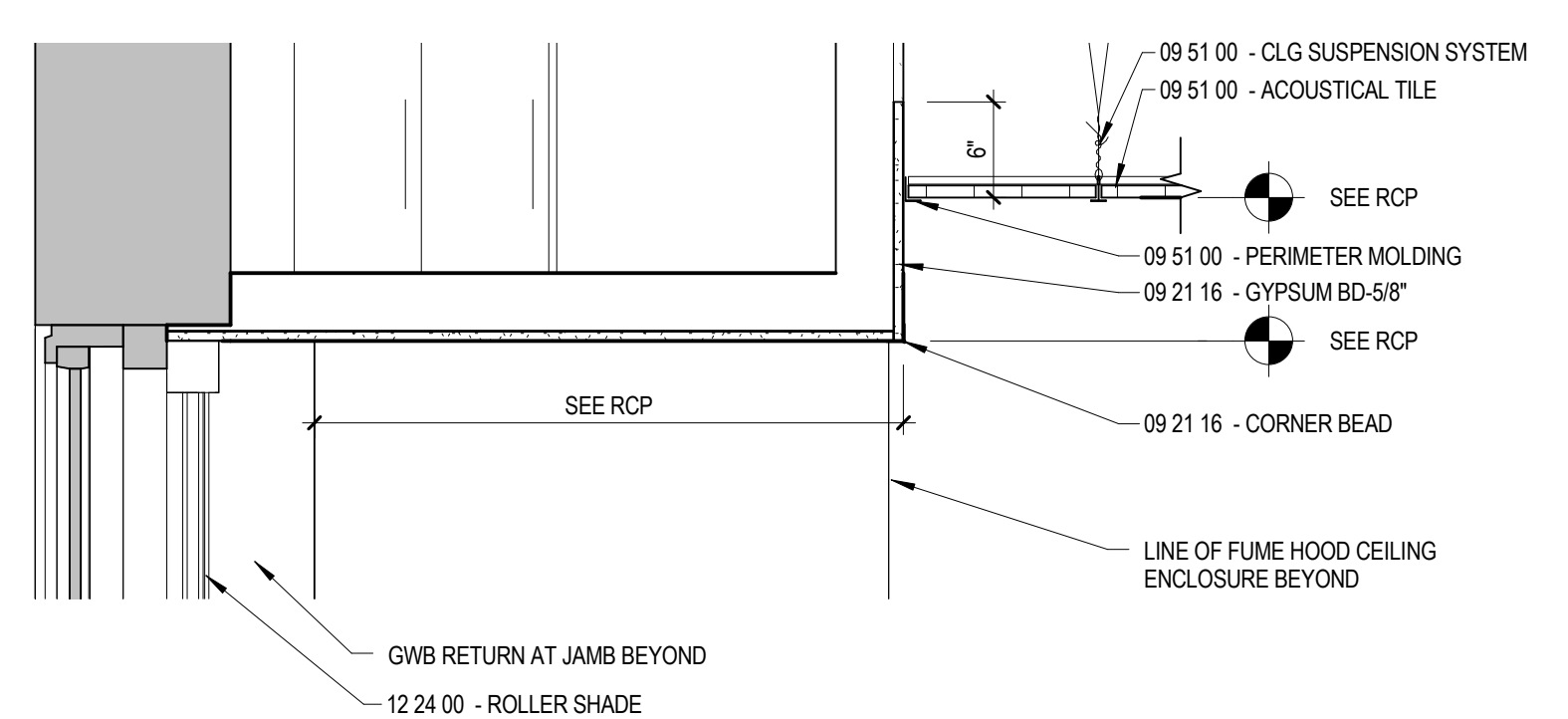
E5 REFLECTED CEILING PLAN
 A1.2 1/4" = 1'-0"



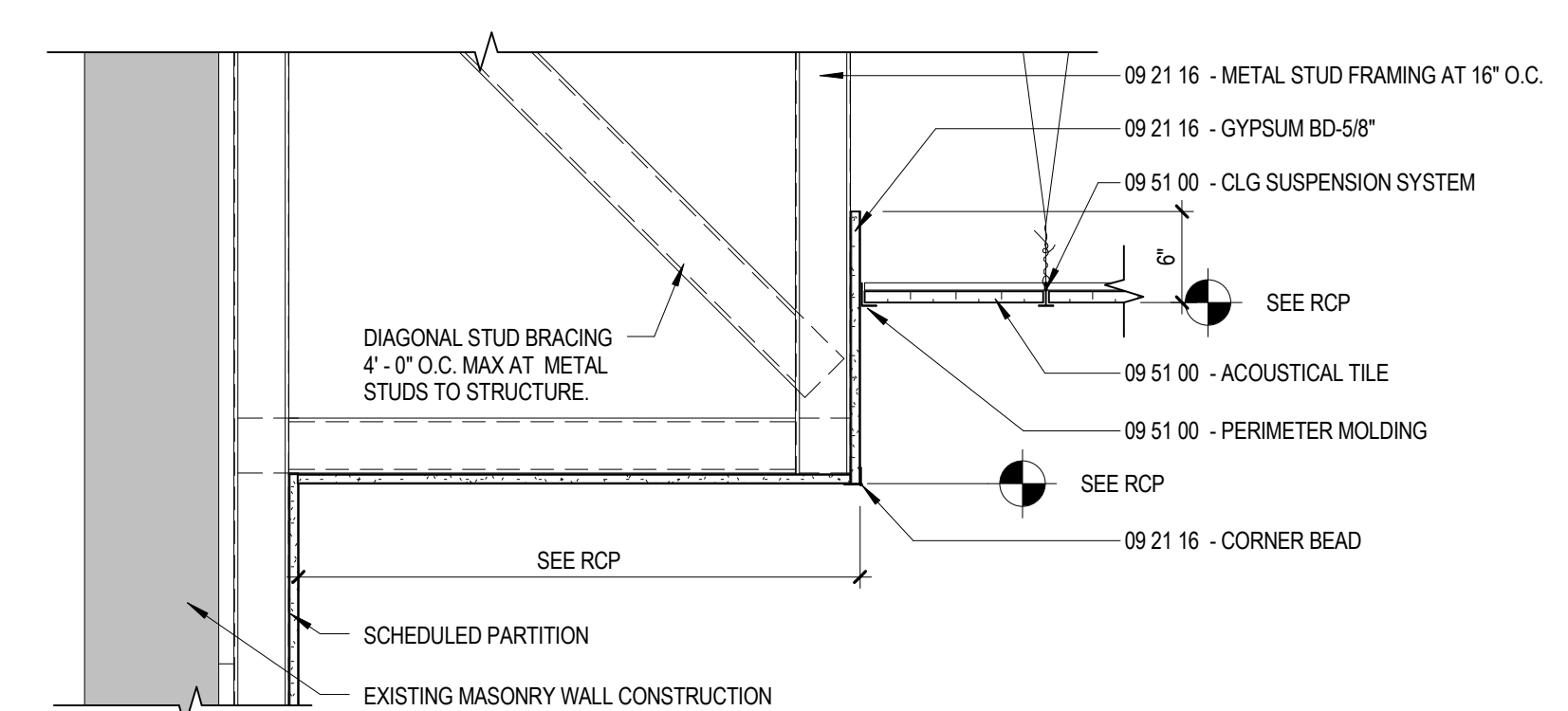
J5 LEVEL 2 - RCP
 A1.2 1/4" = 1'-0"



D3 SECTION DETAIL AT PROJECTION SCREEN
 A1.2 1" = 1'-0"



F1 SECTION DETAIL AT ACT/GWB SOFFIT AT WINDOW
 A1.2 1" = 1'-0"



H1 SECTION DETAIL AT ACT/GWB SOFFIT AT WALL
 A1.2 1" = 1'-0"

CEILING LEGEND	
09 51 00 ACOUSTICAL CEILING TILE	09 21 16 GYPSUM BOARD ASSEMBLIES
ACT-1 TYPE: PAINTED MINERAL FIBER MANUF: ARMSTRONG SERIES: CORTEGA 704 WIDTH/SIZE: 24x24 COLOR: WHITE	GWB-1 GWB CEILING AND SOFFIT SUSPENSION SYSTEM
ACT-2 TYPE: VINYL FACED MINERAL FIBER MANUF: ARMSTRONG SERIES: CLEAN ROOM VL WIDTH/SIZE: 24 X 24 COLOR: WHITE	PL-1 PATCH AND REPAIR EXISTING PLASTER CEILING FINISH AS REQUIRED FOR NEW WORK.
ACT-3 RE-INSTALL EXISTING SUSPENDED ACT CEILING SYSTEM AS REQUIRED FOR NEW MECHANICAL WORK. SEE MECHANICAL DRAWINGS FOR ADDITIONAL INFORMATION. BASE BID SHALL ASSUME 25% OF EXISTING TILES AND GRID WILL BE DAMAGED AND REPLACED WITH NEW TILE AND GRID TO MATCH EXISTING AS PART OF THIS WORK.	

C:\Projects\14-049 USM Payson Lab_Cemal.Rev1.2015.mae_makaw.nct
 1/9/2015 2:26:40 PM