



HARRIMAN

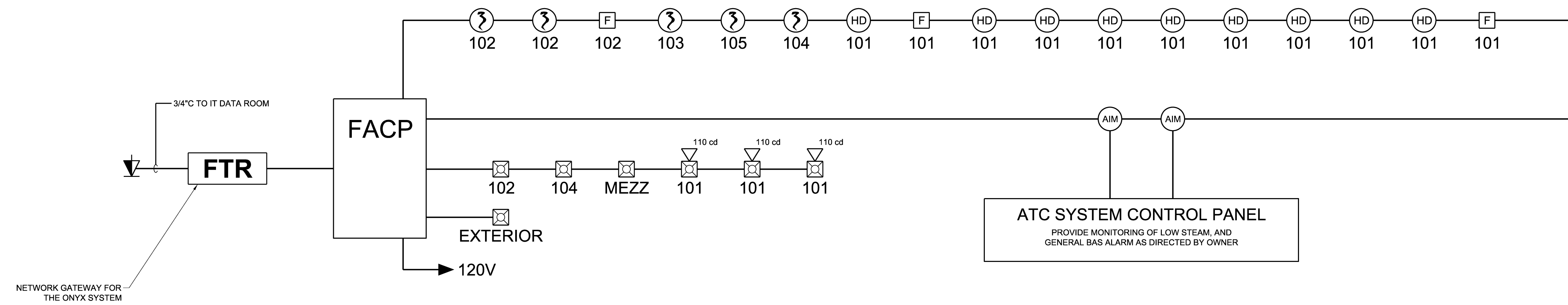
AUBURN PORTLAND MANCHESTER

UNIVERSITY OF SOUTHERN MAINE CENTRAL HEAT PLANT UPGRADES

PORTLAND, ME

Harriman Project No. 14411

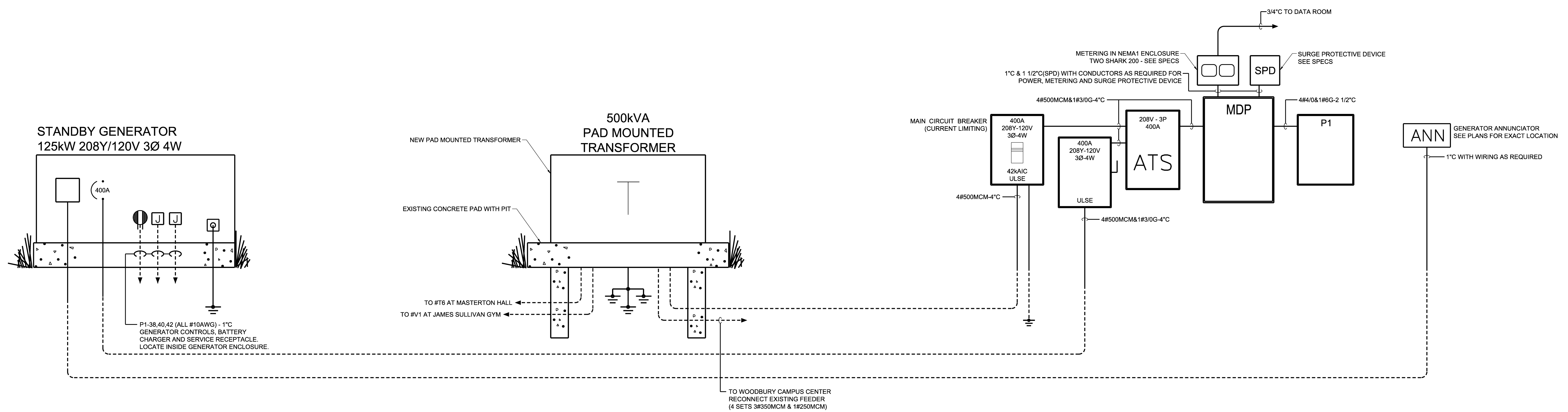
Key Plan Prog North



FIRE ALARM RISER DIAGRAM

REF: -

B1

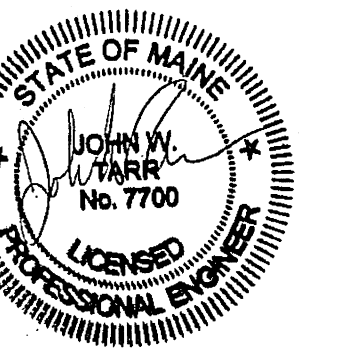


POWER RISER DIAGRAM

REF: -

A1

Mark	Date	Description
-	09-19-14	PROGRESS REVIEW
-	09-26-14	PROGRESS REVIEW
-	10-03-14	PROGRESS REVIEW
-	10-10-14	FINAL REVIEW
-	10-23-14	100% REVIEW
-	10-31-14	ISSUED FOR BID



Drawing Scales

PA/PE: JWT © 2014 Harriman Associates  
Drawn By: BSO

RISER DIAGRAMS

E50.1