



HARRIMAN

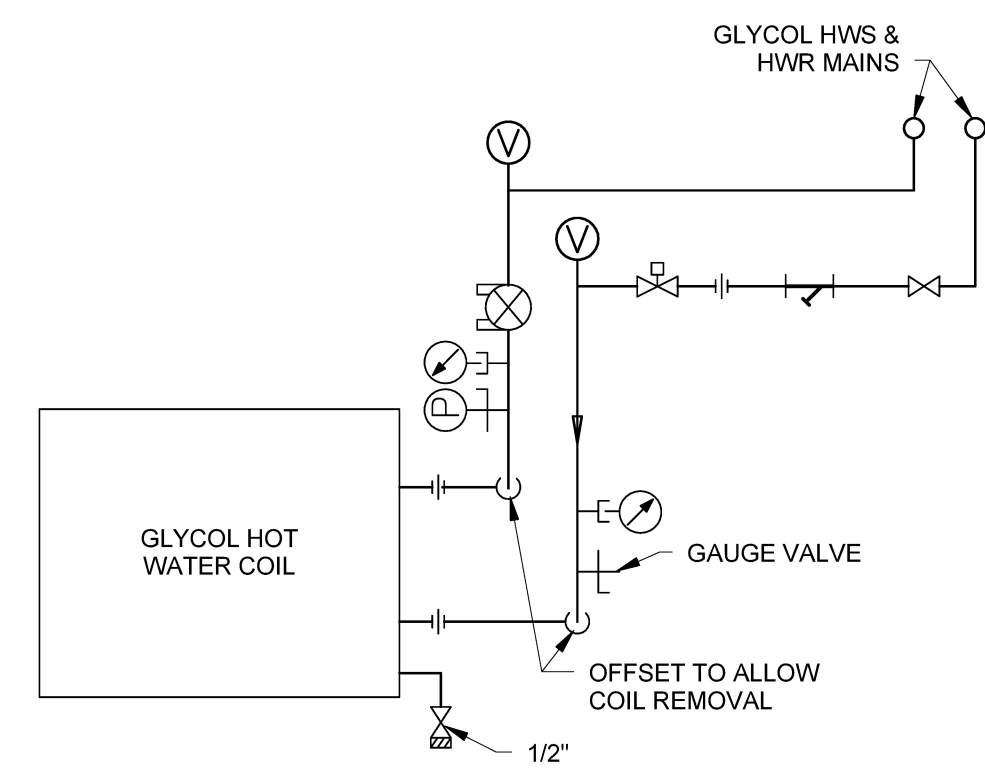
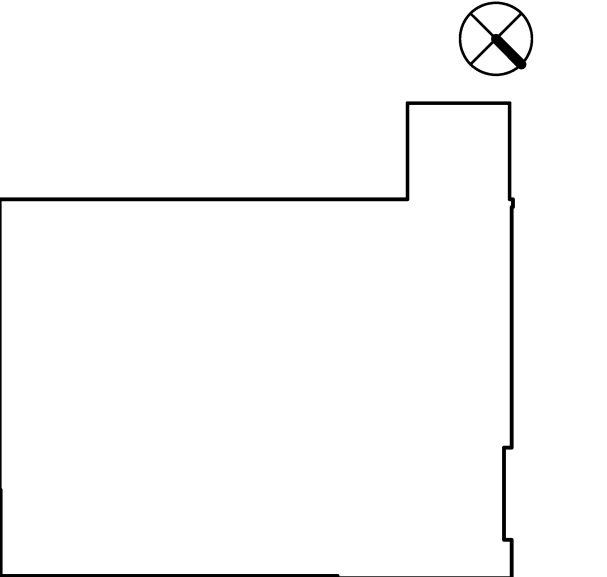
AUBURN PORTLAND MANCHESTER

UNIVERSITY OF SOUTHERN MAINE CENTRAL HEAT PLANT UPGRADES

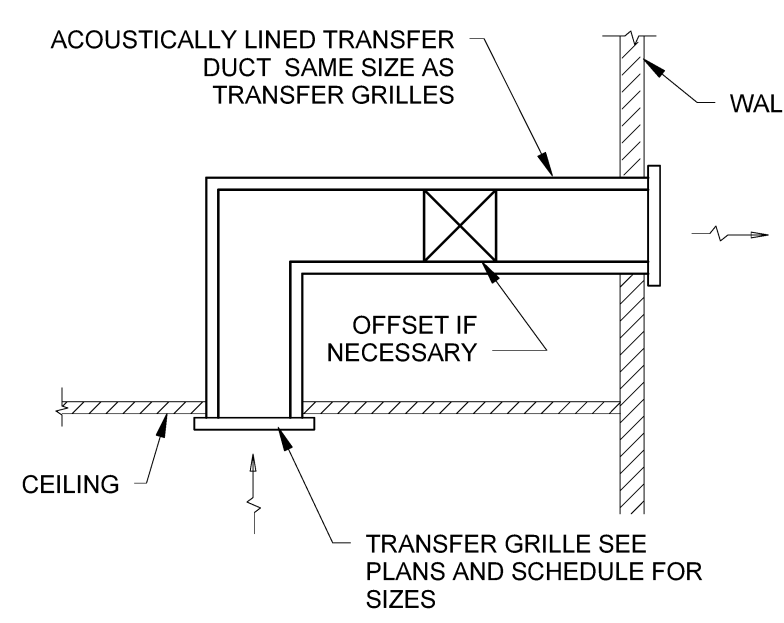
PORTLAND, ME

Harriman Project No. 14411

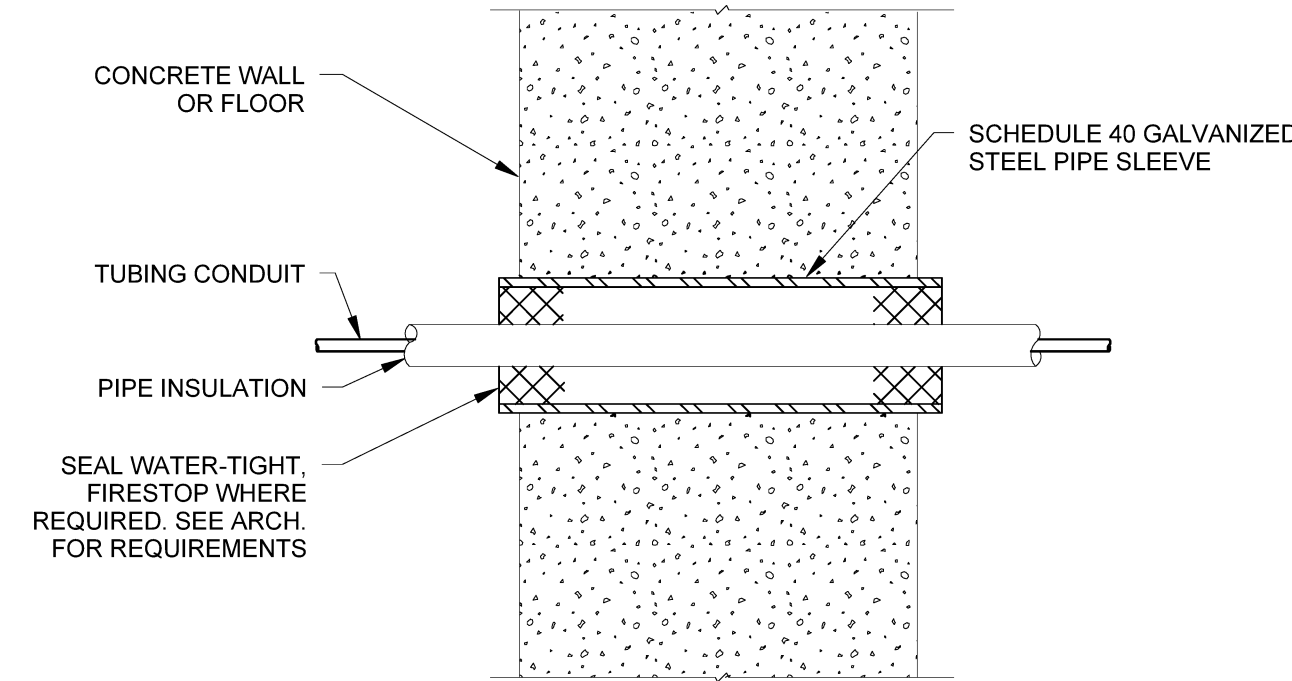
Key Plan Proj North



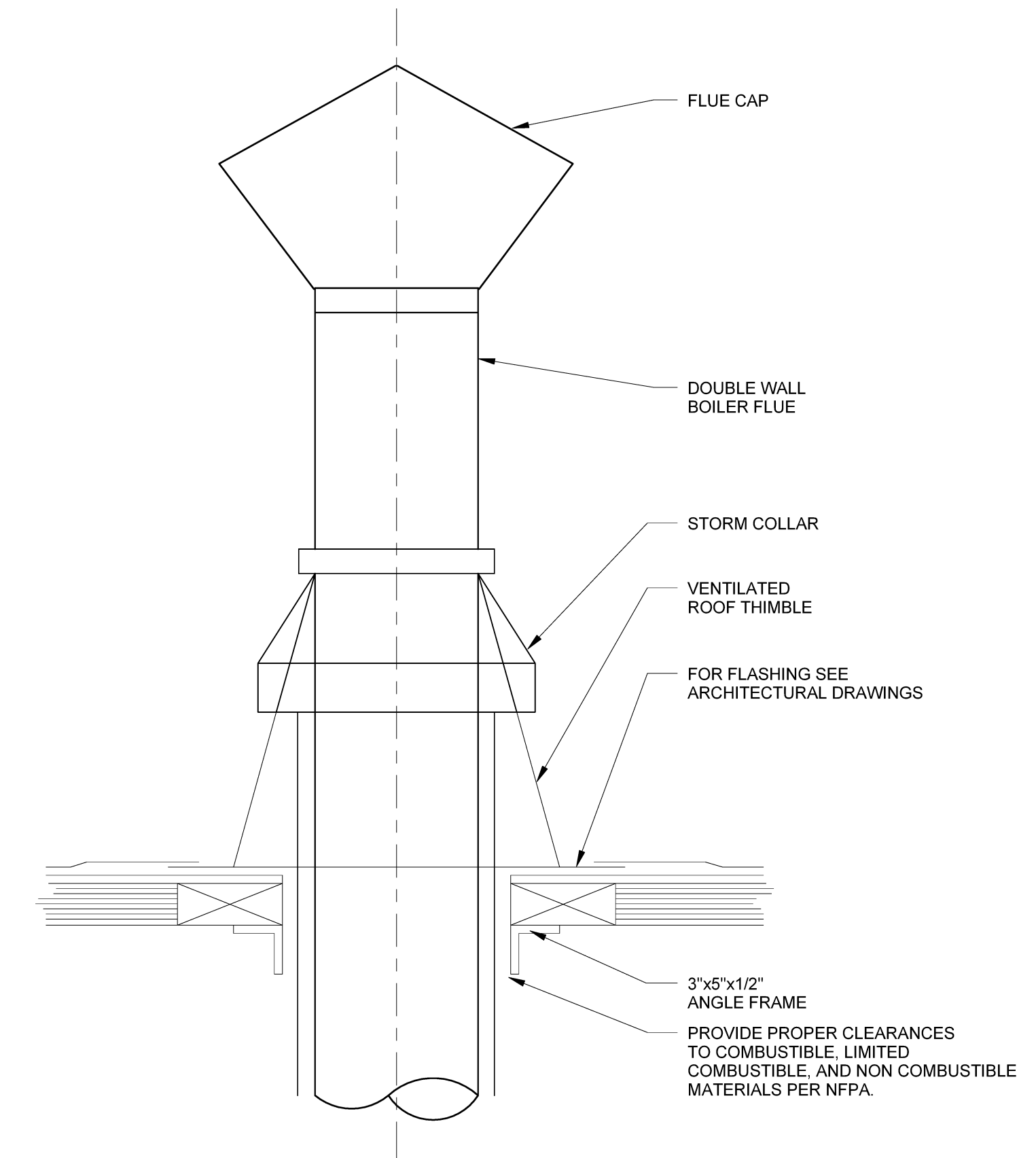
5 COIL PIPING DETAIL
NO SCALE



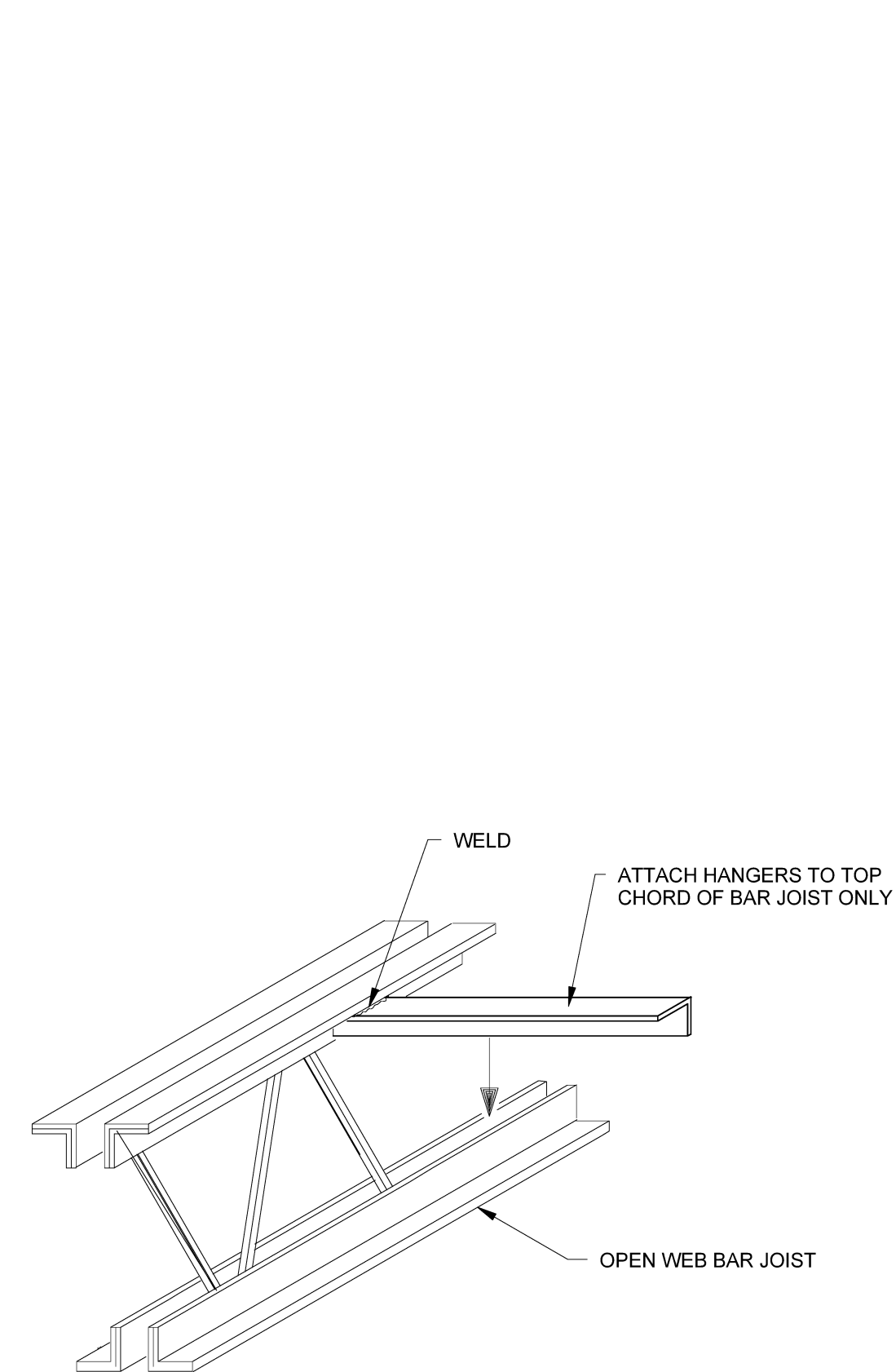
6 TRANSFER DUCT W/ACOUSTICAL
NO SCALE



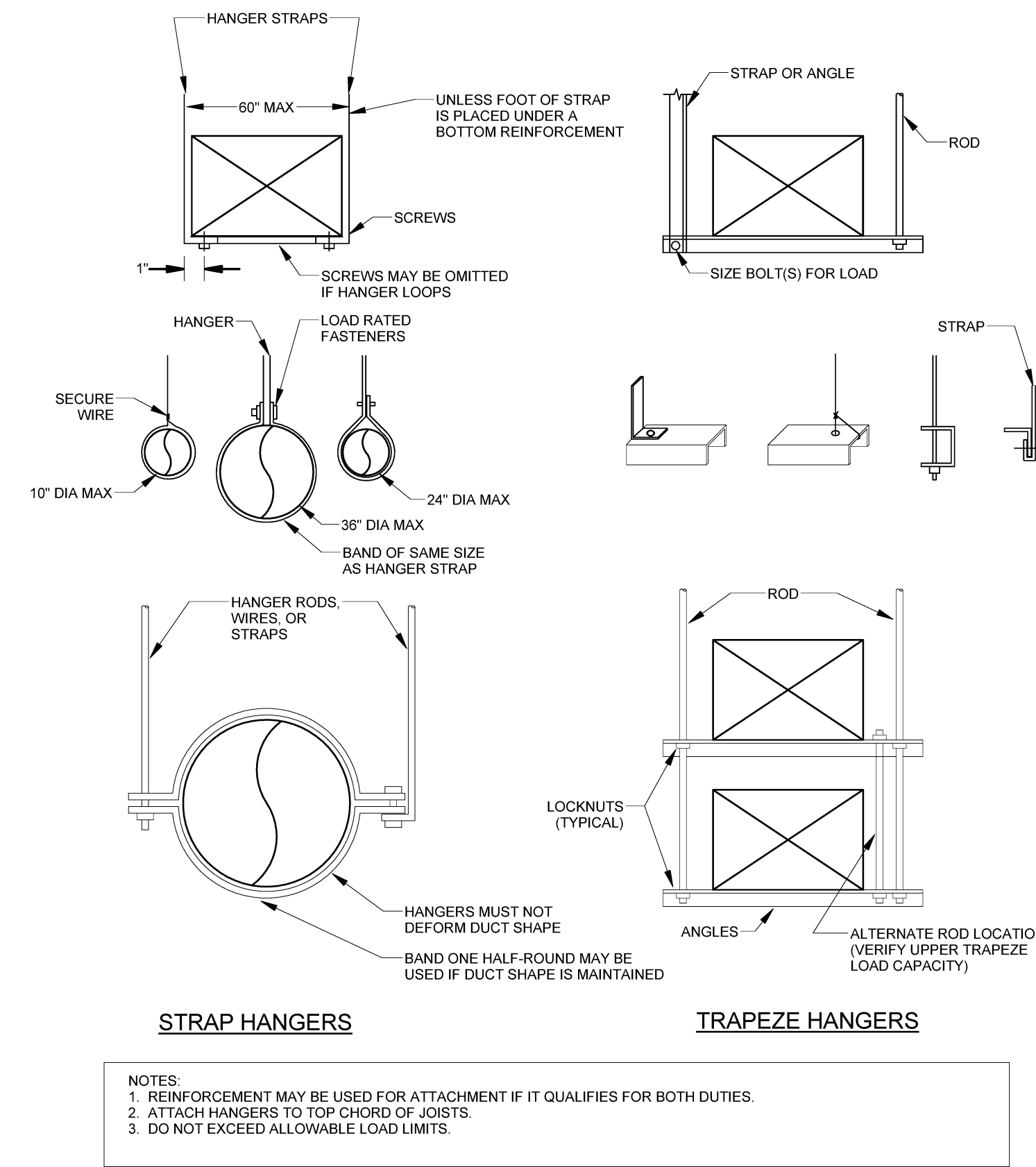
7 TYPICAL WALL OR FLOOR SLEEVE
NO SCALE



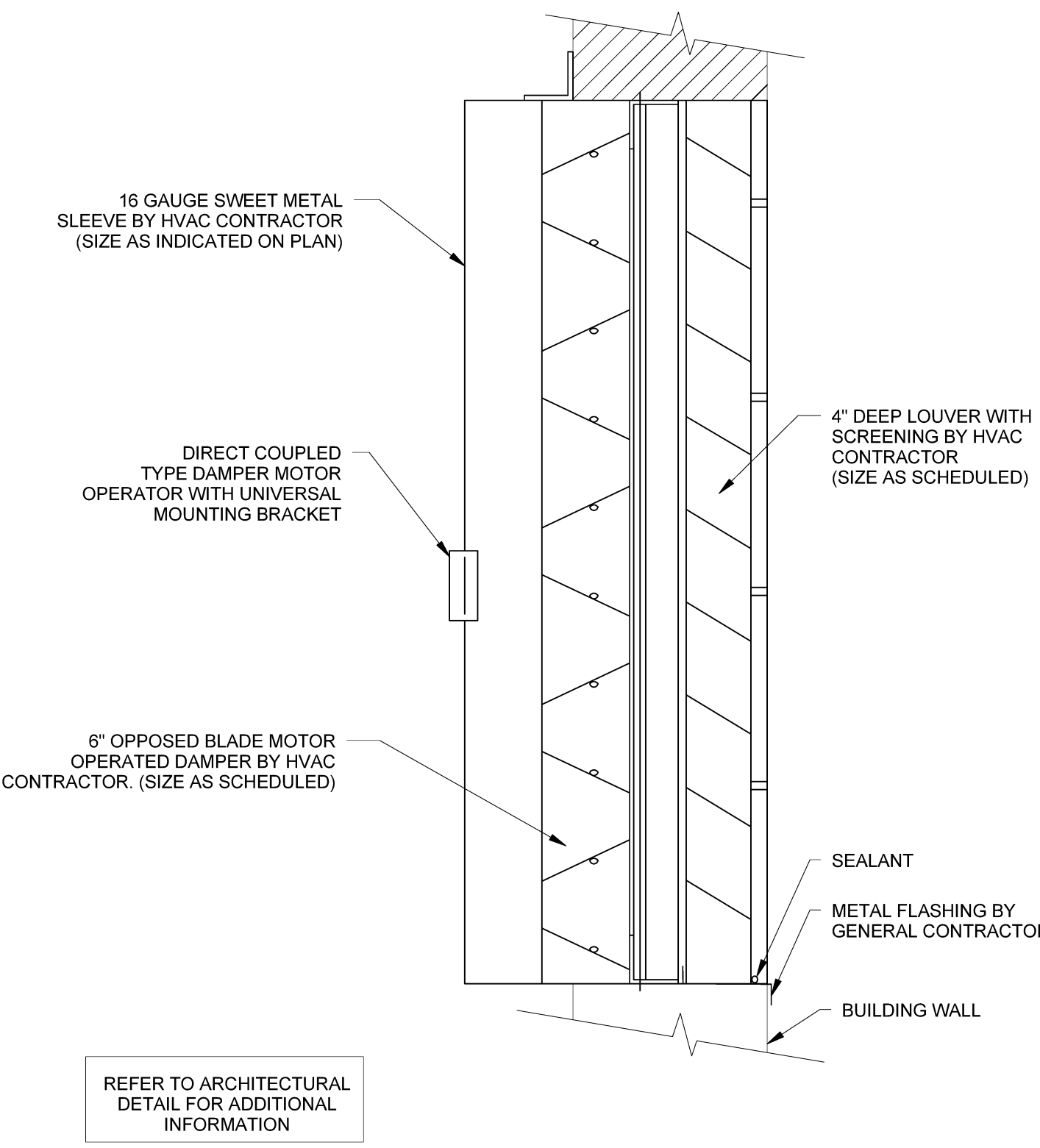
8 BOILER FLUE DETAIL
NO SCALE



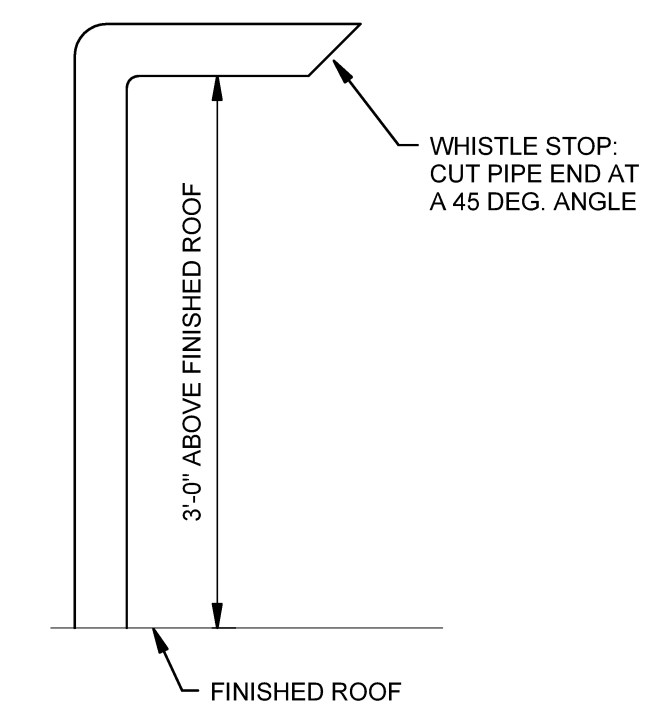
1 HANGER ATTACHMENTS TO STRUCTURES
NO SCALE



2 LOWER HANGER ATTACHMENT
NO SCALE

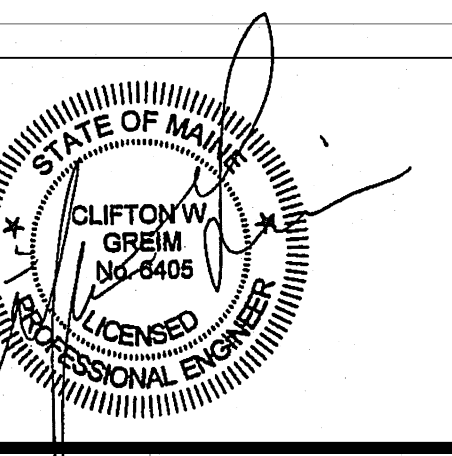


3 LOUVER MOUNTING DETAIL
NO SCALE



4 WHISTLE STOP DETAIL
NO SCALE

Mark	Date	Description
	10-10-14	FINAL REVIEW
	10-23-14	100% REVIEW
	10-31-14	ISSUED FOR BID



PA / PE	CG	© 2014
Drawn By:	JSL	Harriman Associates

DETAILS

M30.4