



HARRIMAN

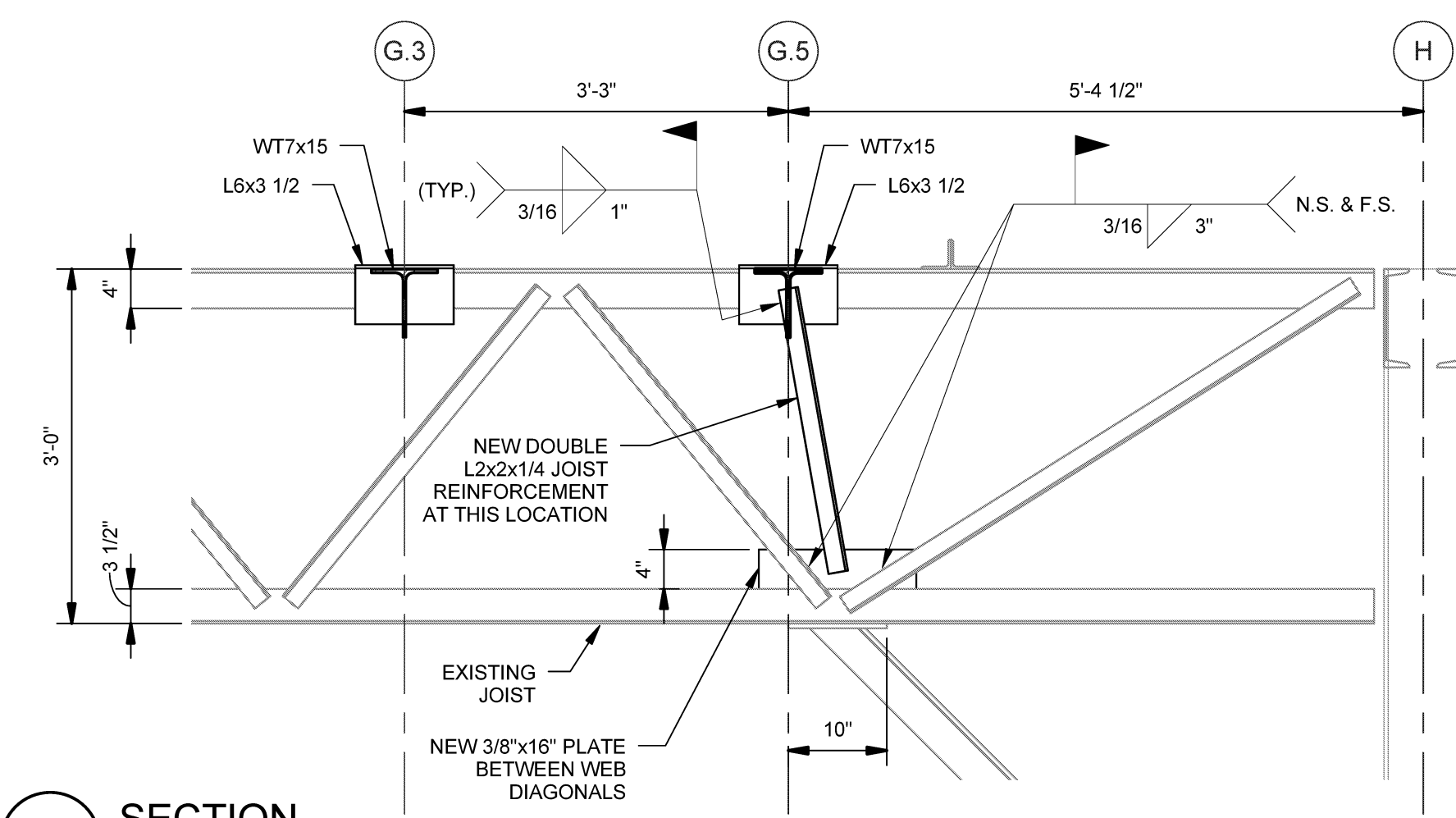
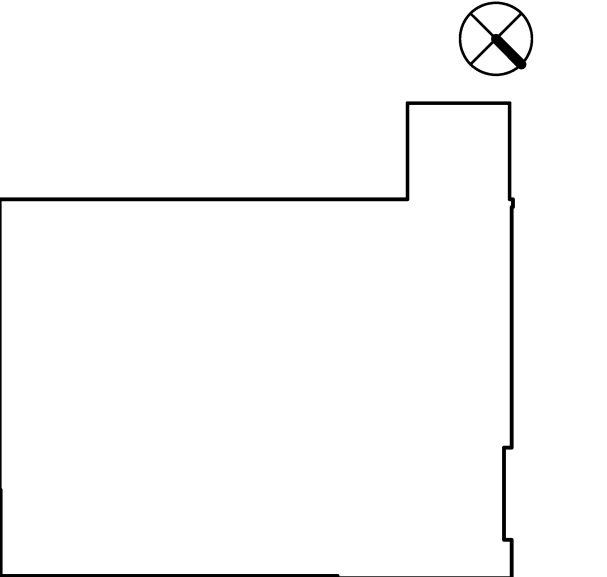
AUBURN PORTLAND MANCHESTER

UNIVERSITY OF SOUTHERN MAINE CENTRAL HEAT PLANT UPGRADES

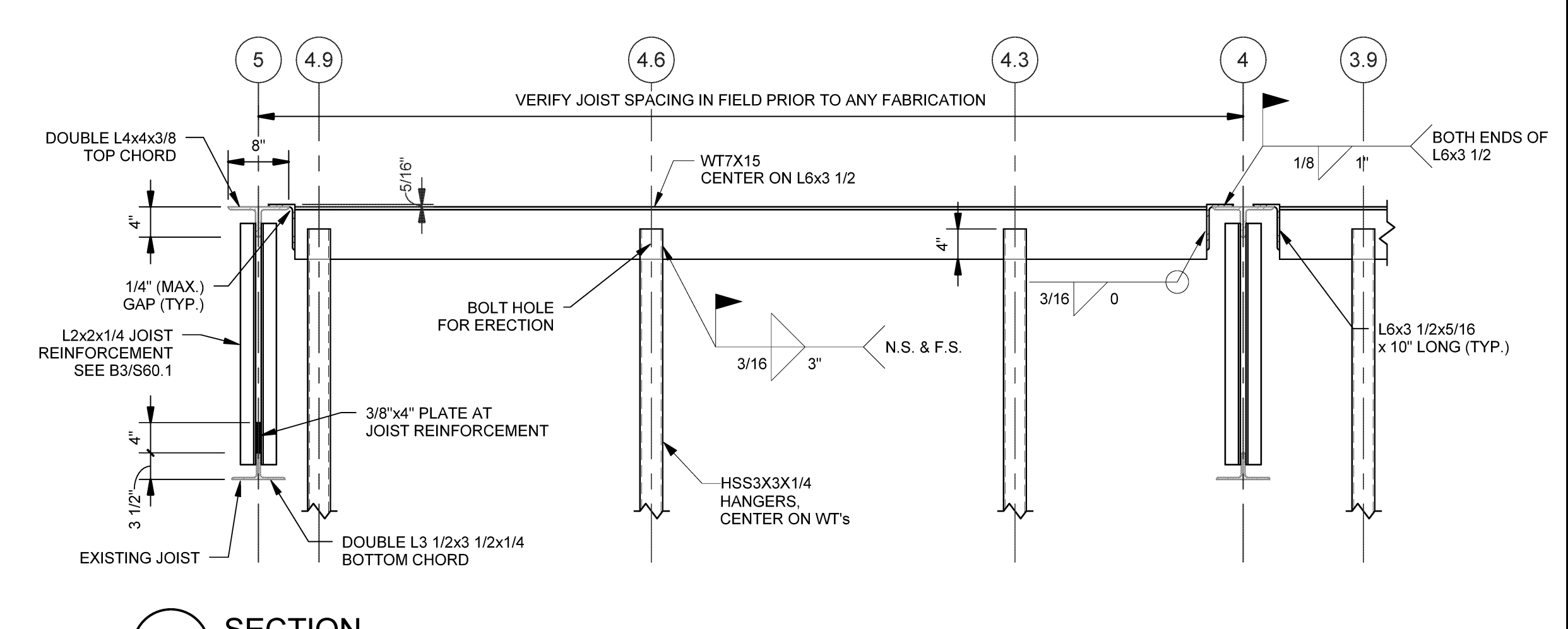
PORTLAND, ME

Harriman Project No. 14411

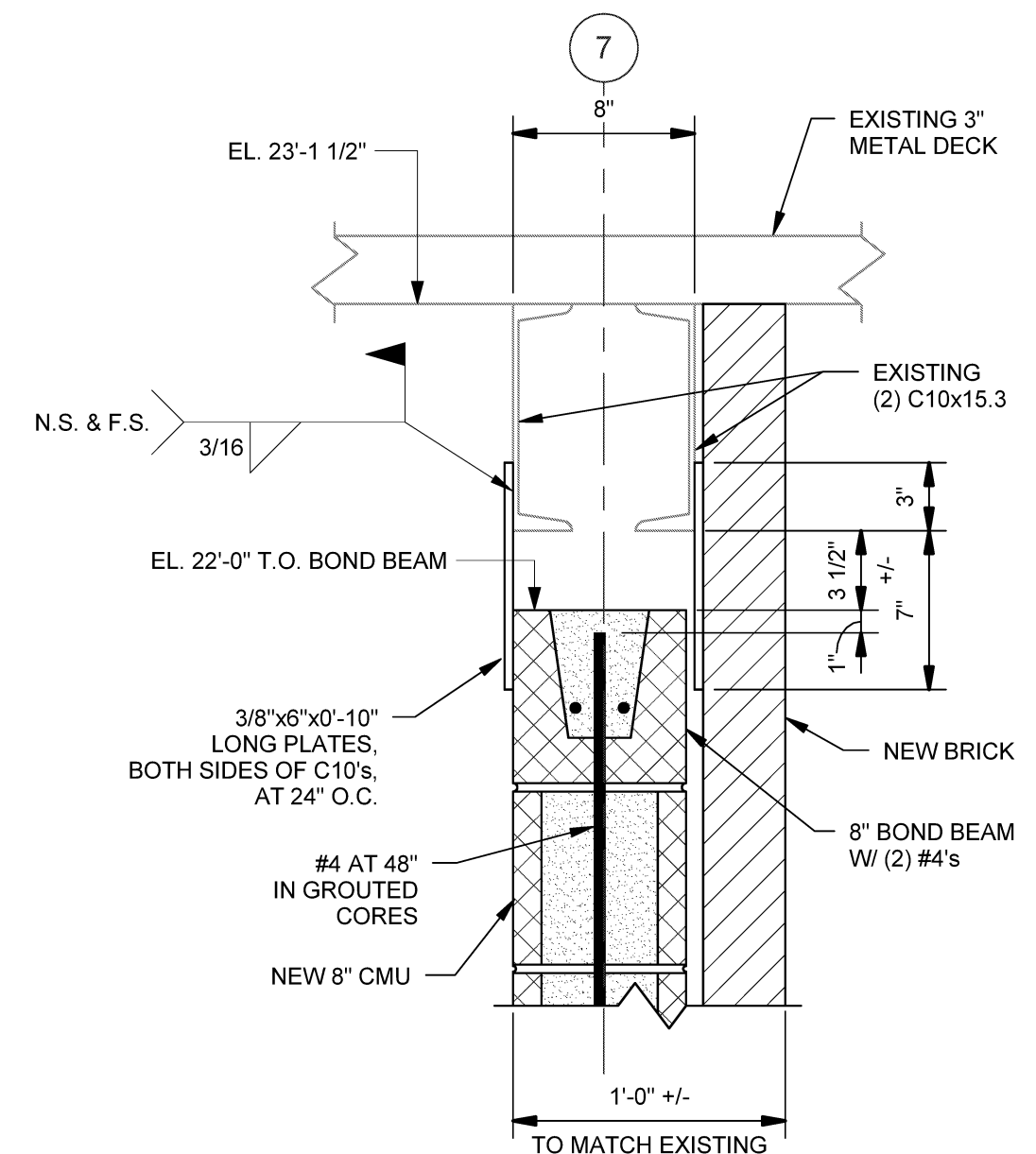
Key Plan



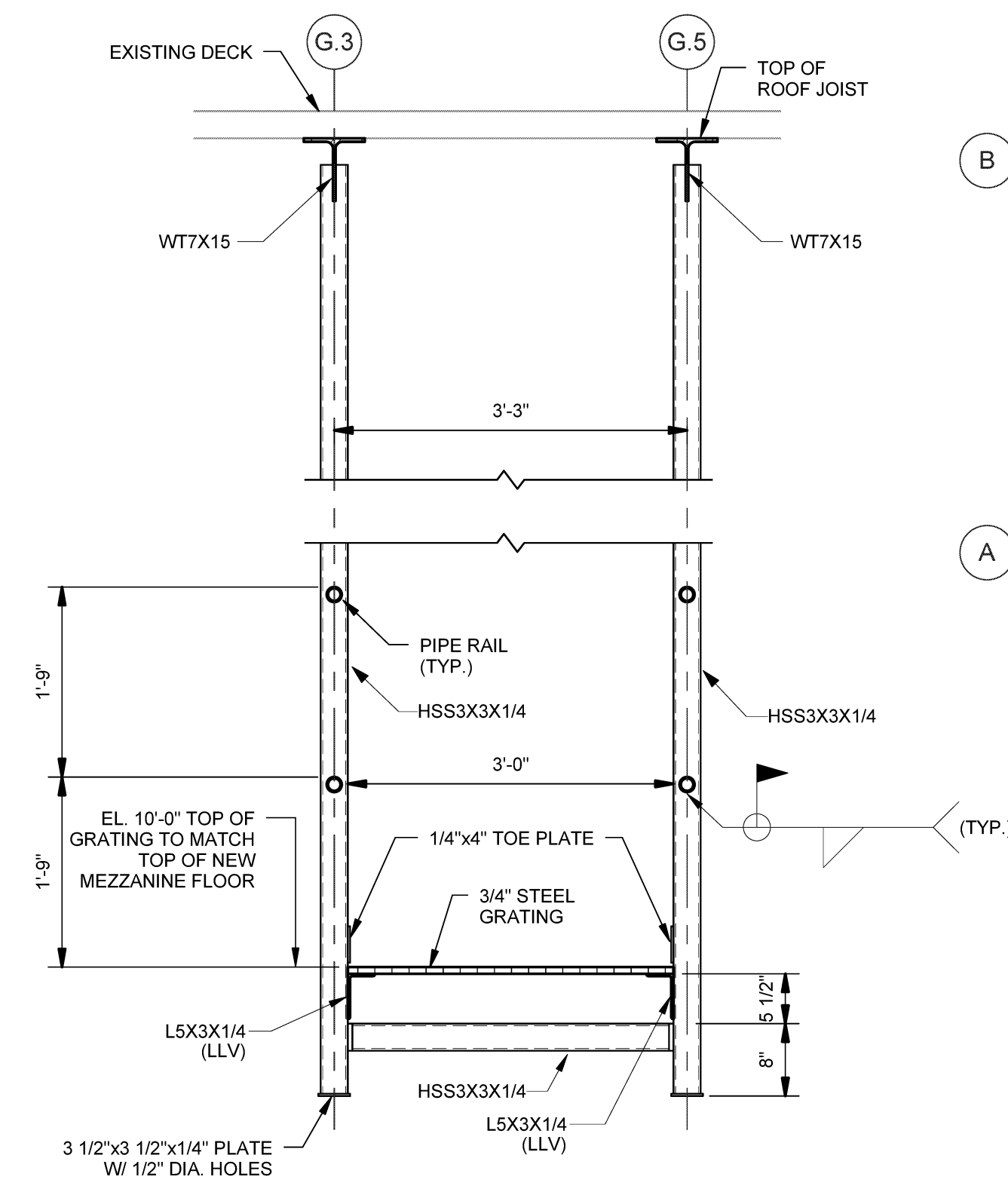
E3 SECTION SCALE: 3/4" = 1'-0"



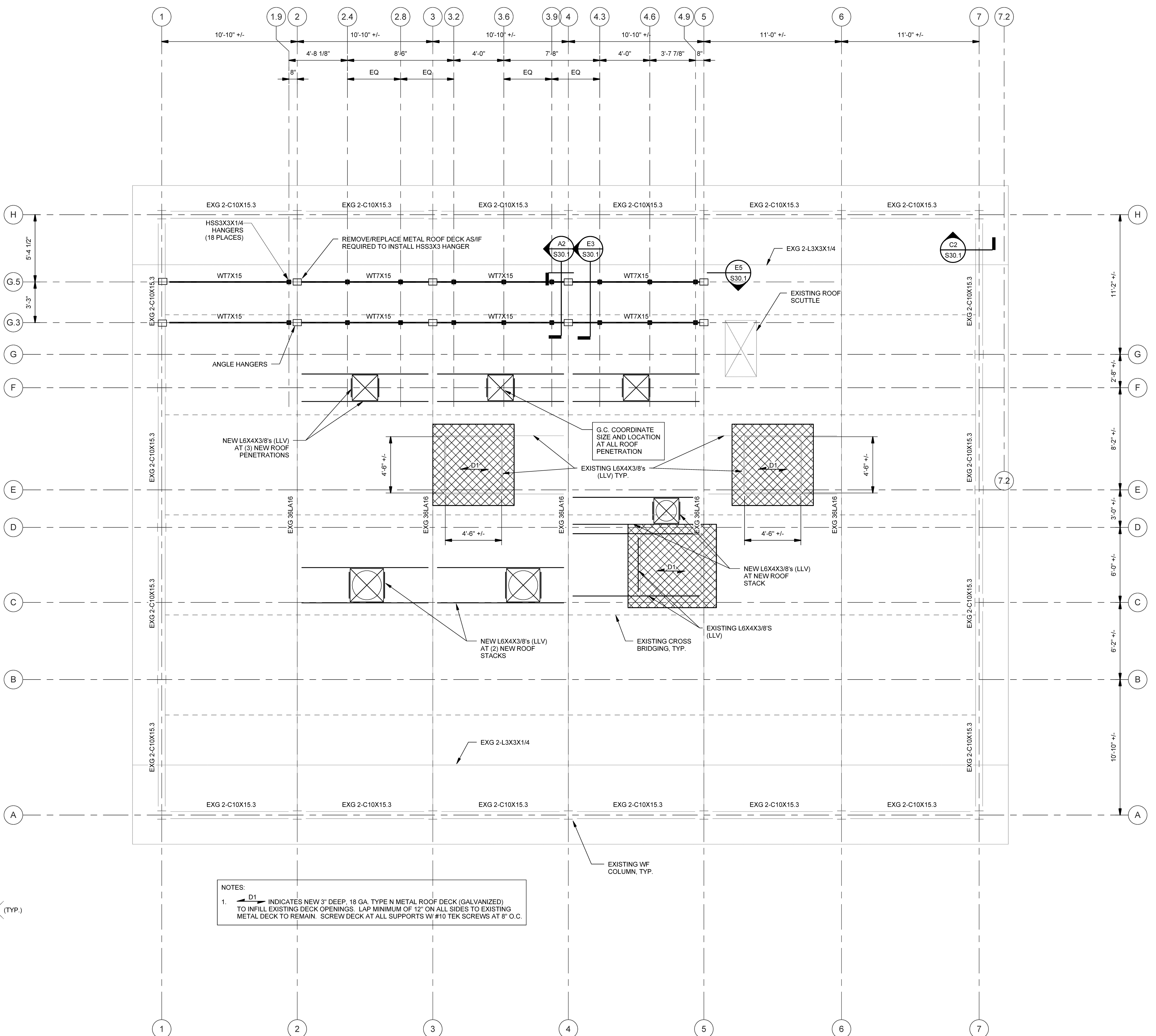
E5 SECTION SCALE: 3/4" = 1'-0"



C2 SECTION SCALE: 1 1/2" = 1'-0"



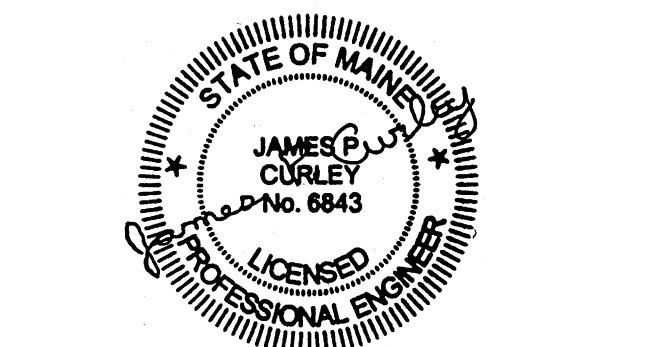
A2 SECTION SCALE: 3/4" = 1'-0"



NOTES:  
1.  $\rightarrow$  D1 INDICATES NEW 3" DEEP, 18 GA. TYPE N METAL ROOF DECK (GALVANIZED) TO INFILL EXISTING DECK OPENINGS. LAP MINIMUM OF 12" ON ALL SIDES TO EXISTING METAL DECK TO REMAIN. SCREW DECK AT ALL SUPPORTS W/ #10 TEK SCREWS AT 8" O.C.

Issues and Revisions

Mark	Date	Description
-	09-19-14	PROGRESS REVIEW
-	09-26-14	PROGRESS REVIEW
-	10-03-14	PROGRESS REVIEW
-	10-10-14	FINAL REVIEW
-	10-23-14	100% REVIEW
-	10-31-14	ISSUED FOR BID



PA/PE: JPC © 2014 Harriman Associates  
Drawn By: MRM

ROOF FRAMING PLAN

S30.1

Plot Date: 10/30/2014 8:58:21 AM