



HARRIMAN

AUBURN PORTLAND MANCHESTER

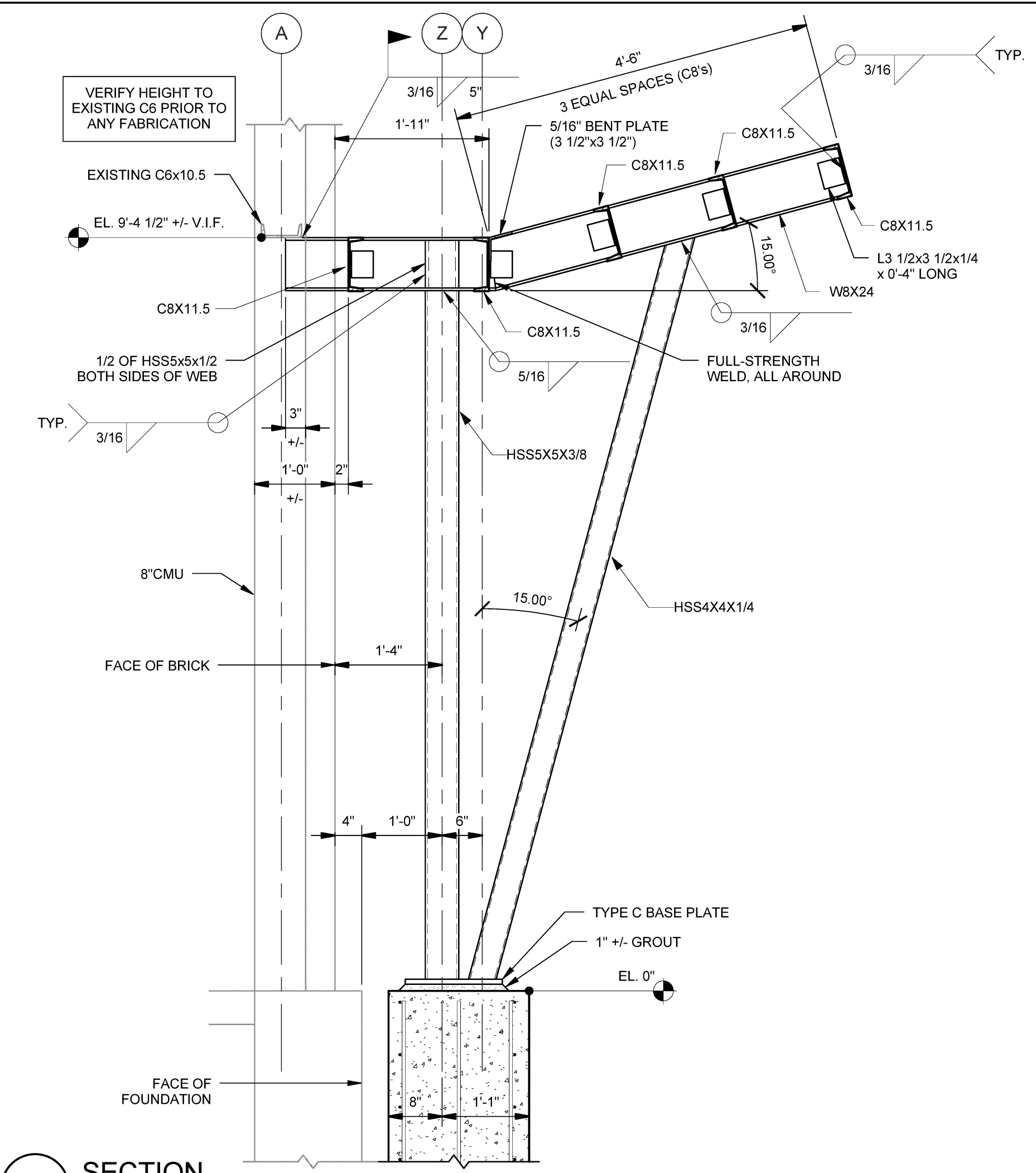
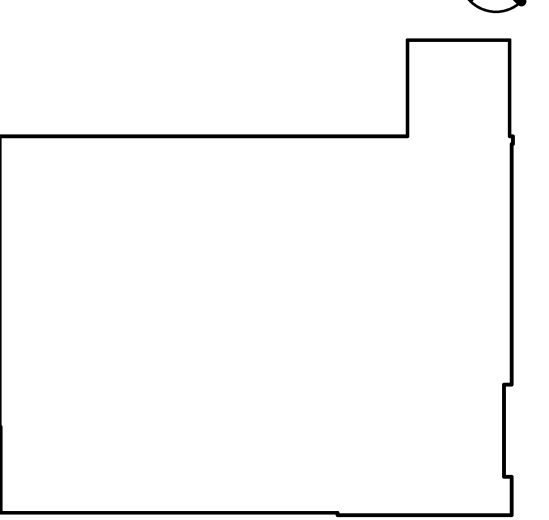
UNIVERSITY OF SOUTHERN MAINE CENTRAL HEAT PLANT UPGRADES

PORTLAND, ME

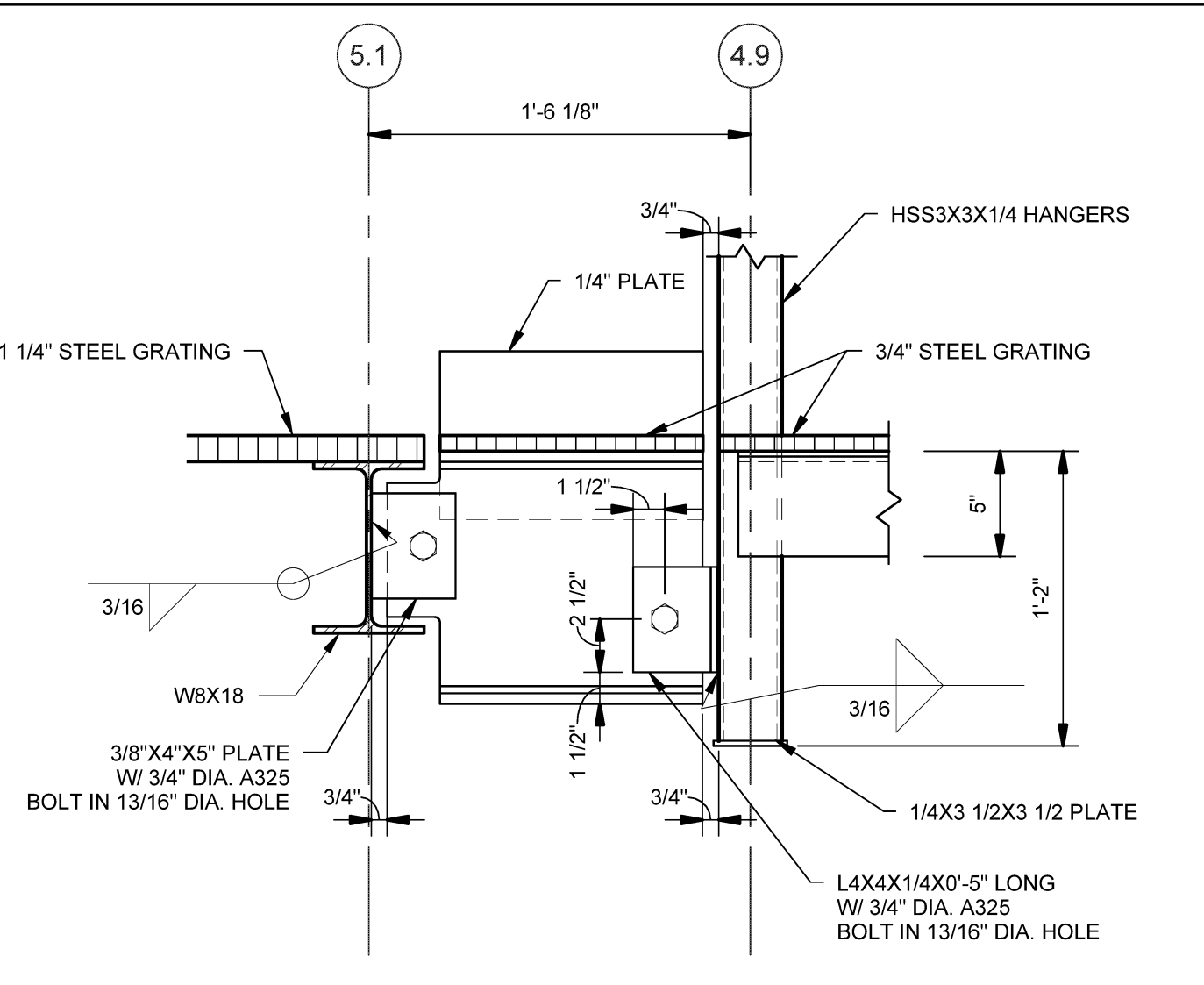
Harriman Project No. 14411

Key Plan

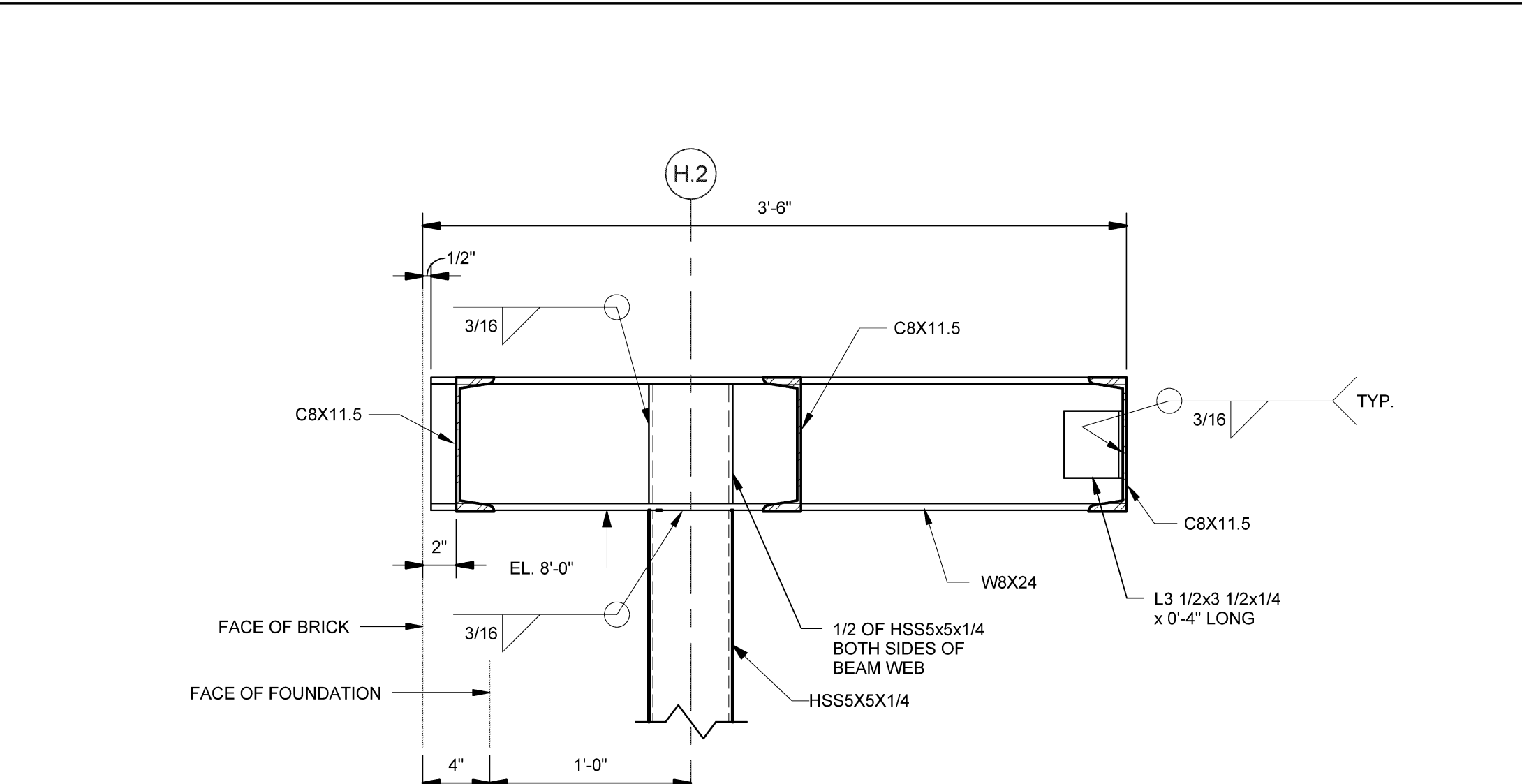
Proj North



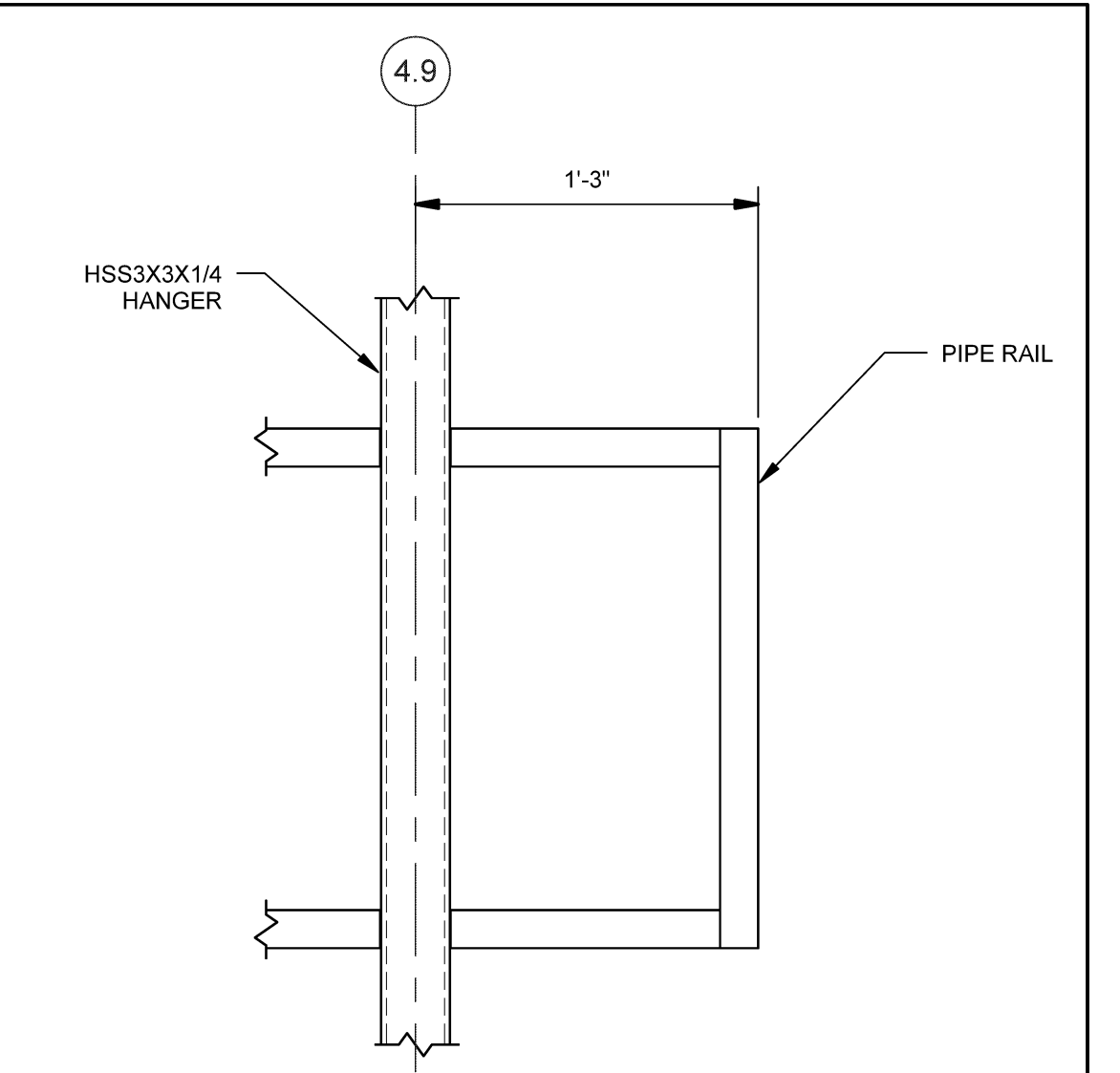
D1 SECTION SCALE: 3/4" = 1'-0"



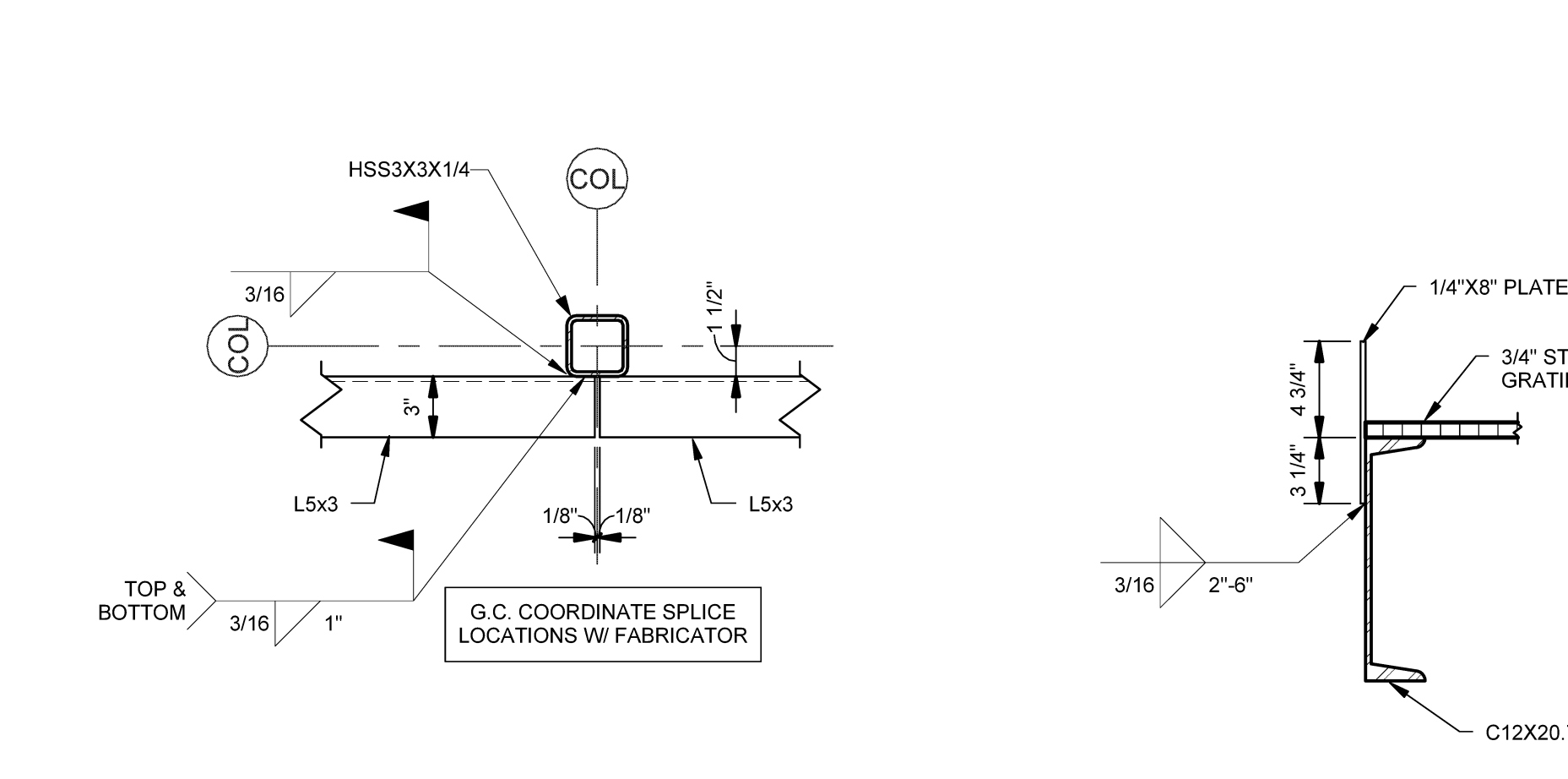
E3 SECTION SCALE: 1 1/2\"/>



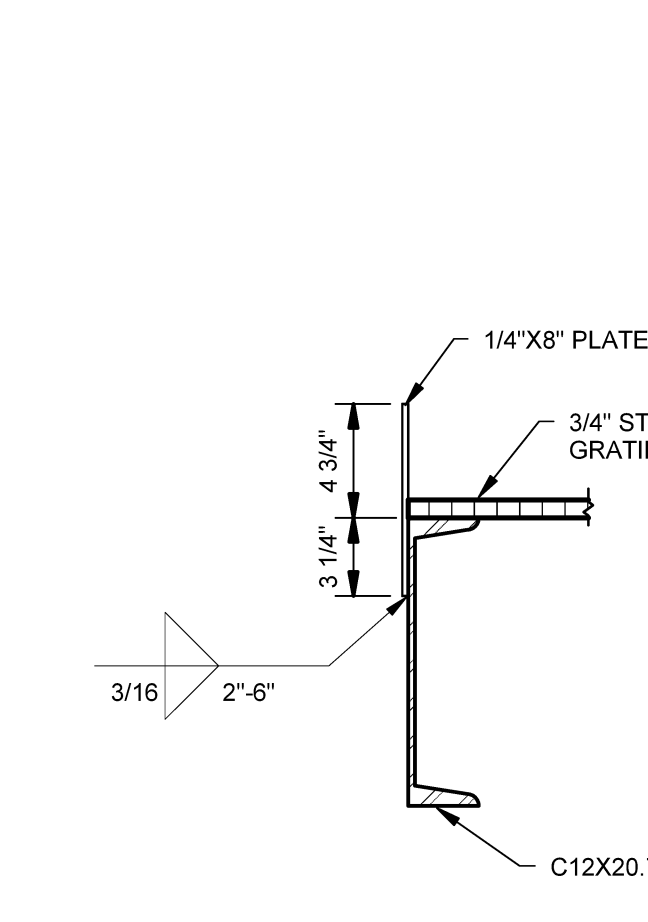
E4 SECTION SCALE: 1 1/2\"/>



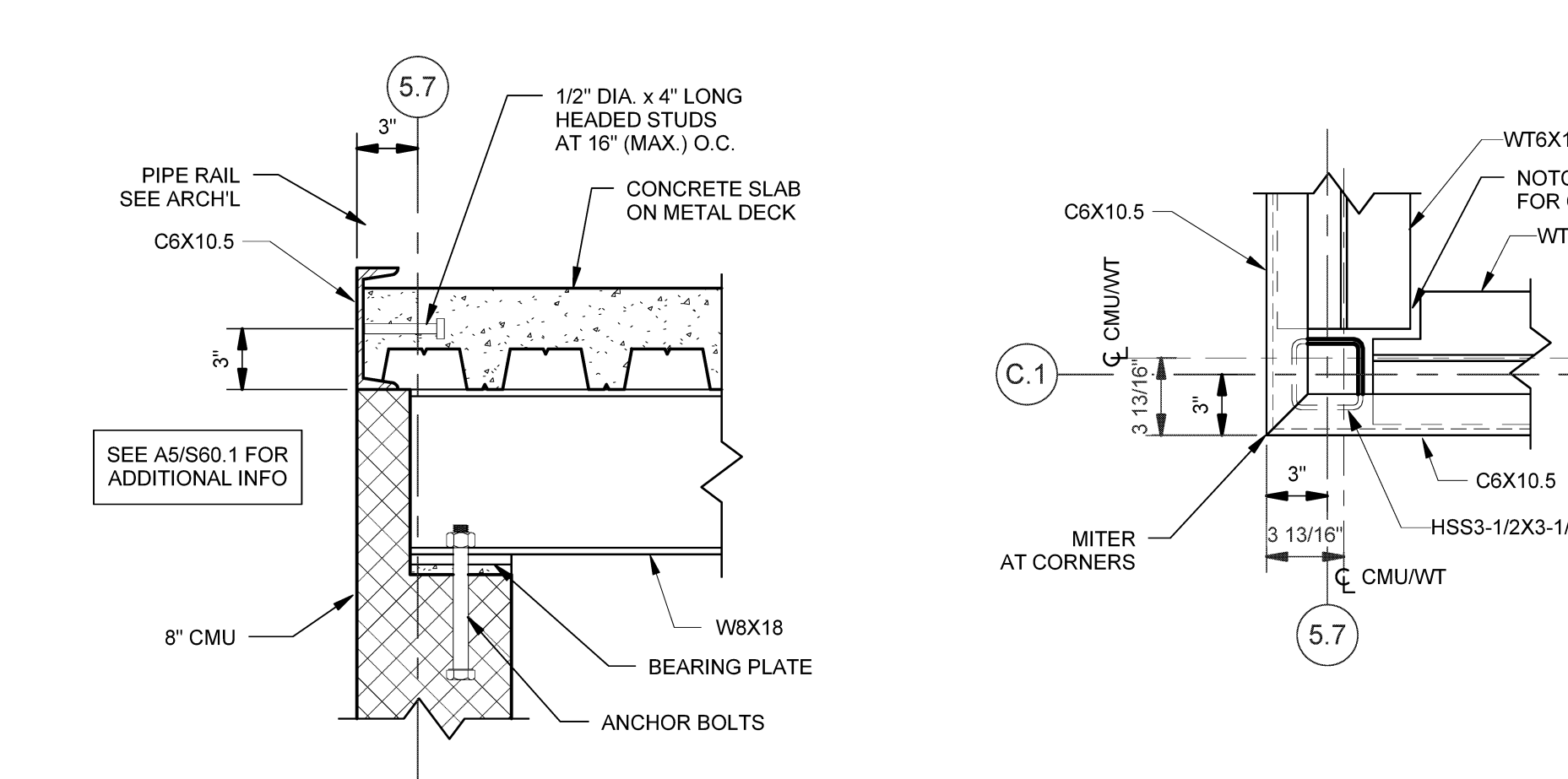
E6 SECTION SCALE: 1 1/2\"/>



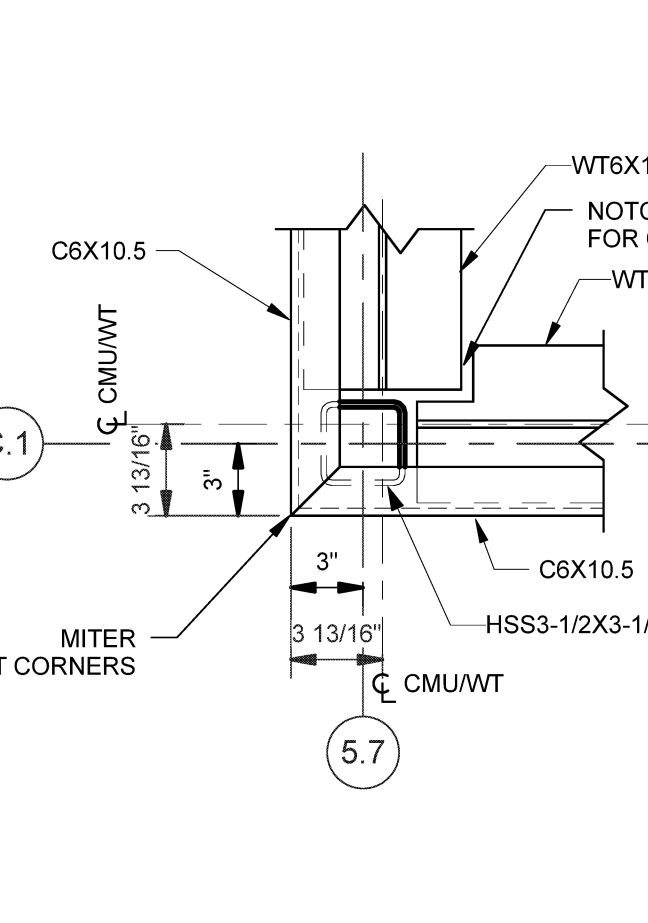
C1 L5x3 SPLICE DETAIL SCALE: 1 1/2\"/>



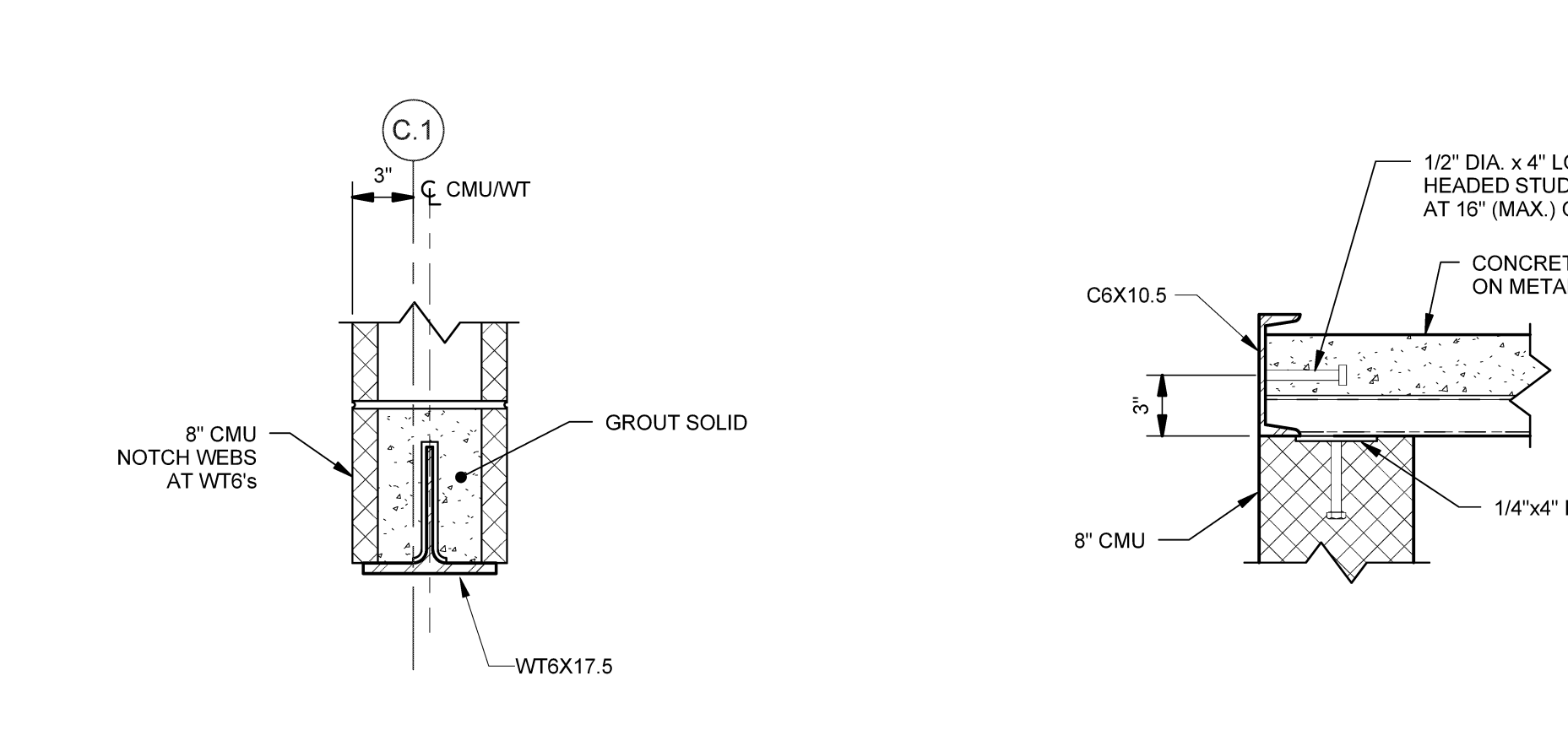
C2 SECTION SCALE: 1 1/2\"/>



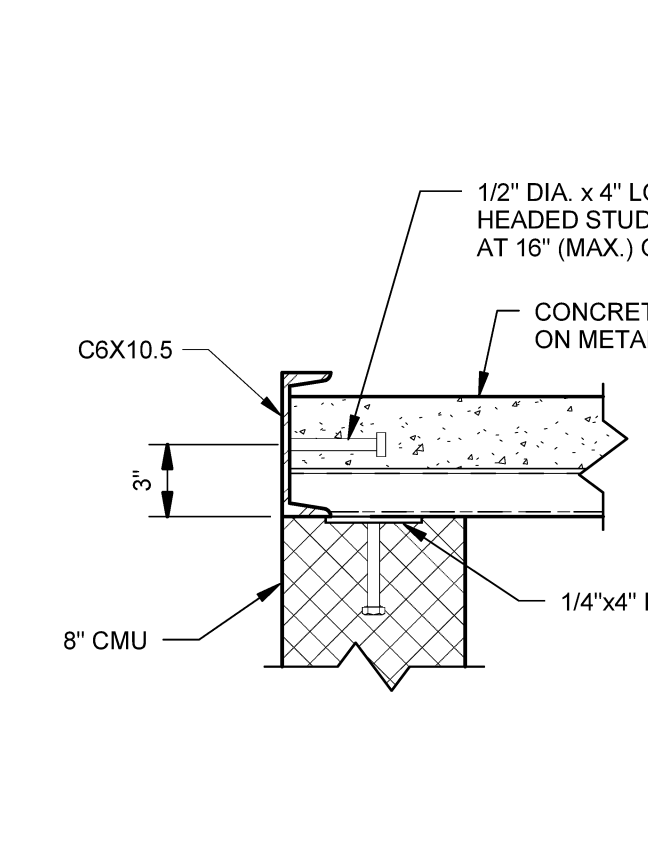
B1 SECTION SCALE: 1 1/2\"/>



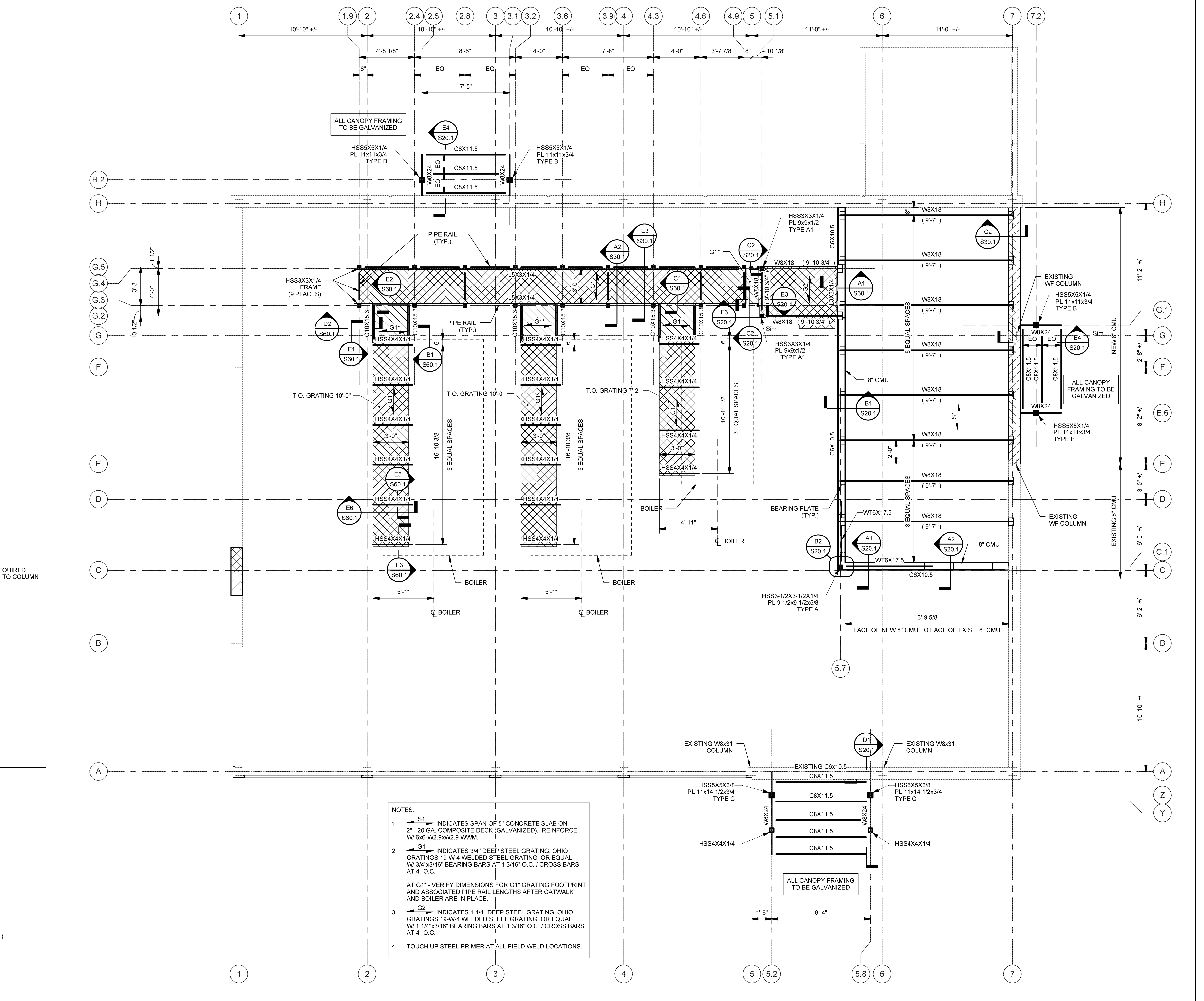
B2 DETAIL SCALE: 1 1/2\"/>



A1 SECTION SCALE: 1 1/2\"/>



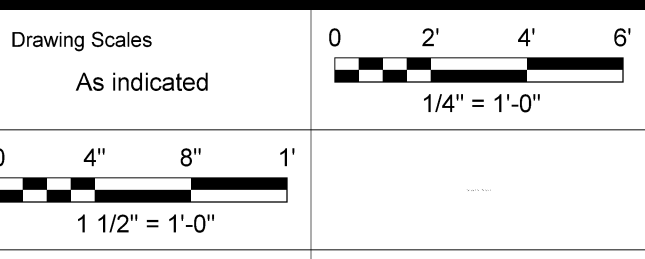
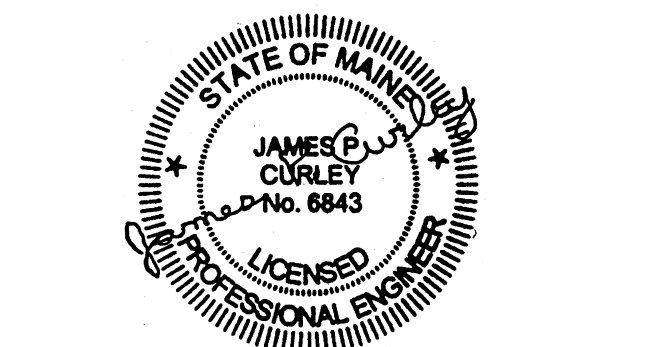
A2 SECTION SCALE: 1 1/2\"/>



A3 MEZZANINE FRAMING PLAN SCALE: 1/4\"/>

NOTES: 1. S1 INDICATES SPAN OF 5' CONCRETE SLAB ON 2\"/>

Issues and Revisions table with columns for Mark, Date, and Description. Includes entries for progress review and final review.



PA/PE: JPC © 2014 Harriman Associates

MEZZANINE FRAMING PLAN

S20.1

Plot Date: 10/30/2014 12:36:41 PM