



HARRIMAN

AUBURN PORTLAND MANCHESTER

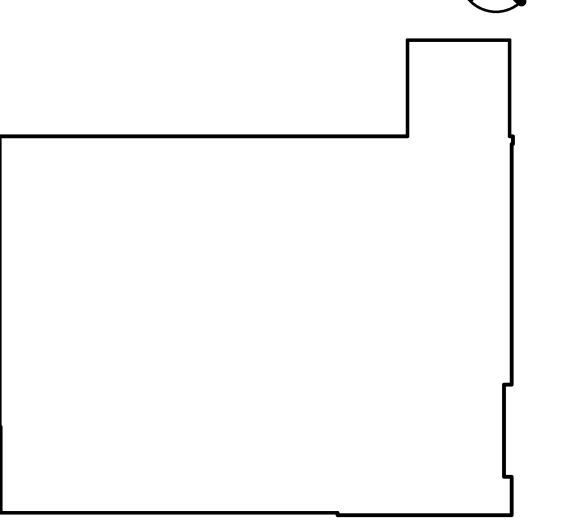
UNIVERSITY OF SOUTHERN MAINE CENTRAL HEAT PLANT UPGRADES

PORTLAND, ME

Harriman Project No. 14411

Key Plan

Proj North

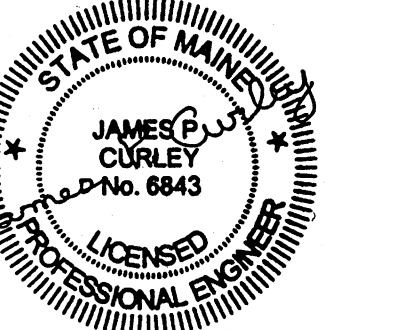


FOUNDATION PLAN NOTES:

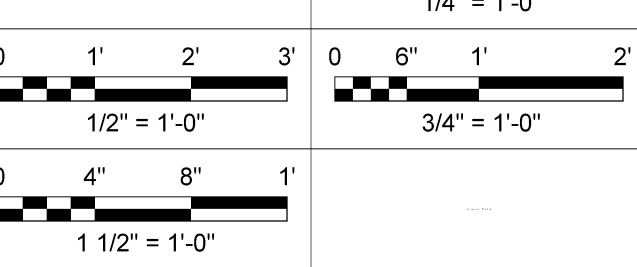
1. TOP OF CONCRETE ELEVATION IS REFERENCED (+/-) FROM FINISH FLOOR ELEVATION (+0'-0").
2. (-8") INDICATES TOP OF CONCRETE ELEVATION.
3. [-4'-0"] INDICATES TOP OF FOOTING ELEVATION.
4. * DOWEL NEW FOUNDATION WALL TO EXISTING FOUNDATION WALL.
5. ** COORDINATE FINAL HOUSEKEEPING PAD DIMENSIONS AND LOCATIONS WITH EQUIPMENT SUPPLIER.

Issues and Revisions

Mark	Date	Description
-	09-19-14	PROGRESS REVIEW
-	09-26-14	PROGRESS REVIEW
-	10-03-14	PROGRESS REVIEW
-	10-10-14	FINAL REVIEW
-	10-23-14	100% REVIEW
-	10-31-14	ISSUED FOR BID



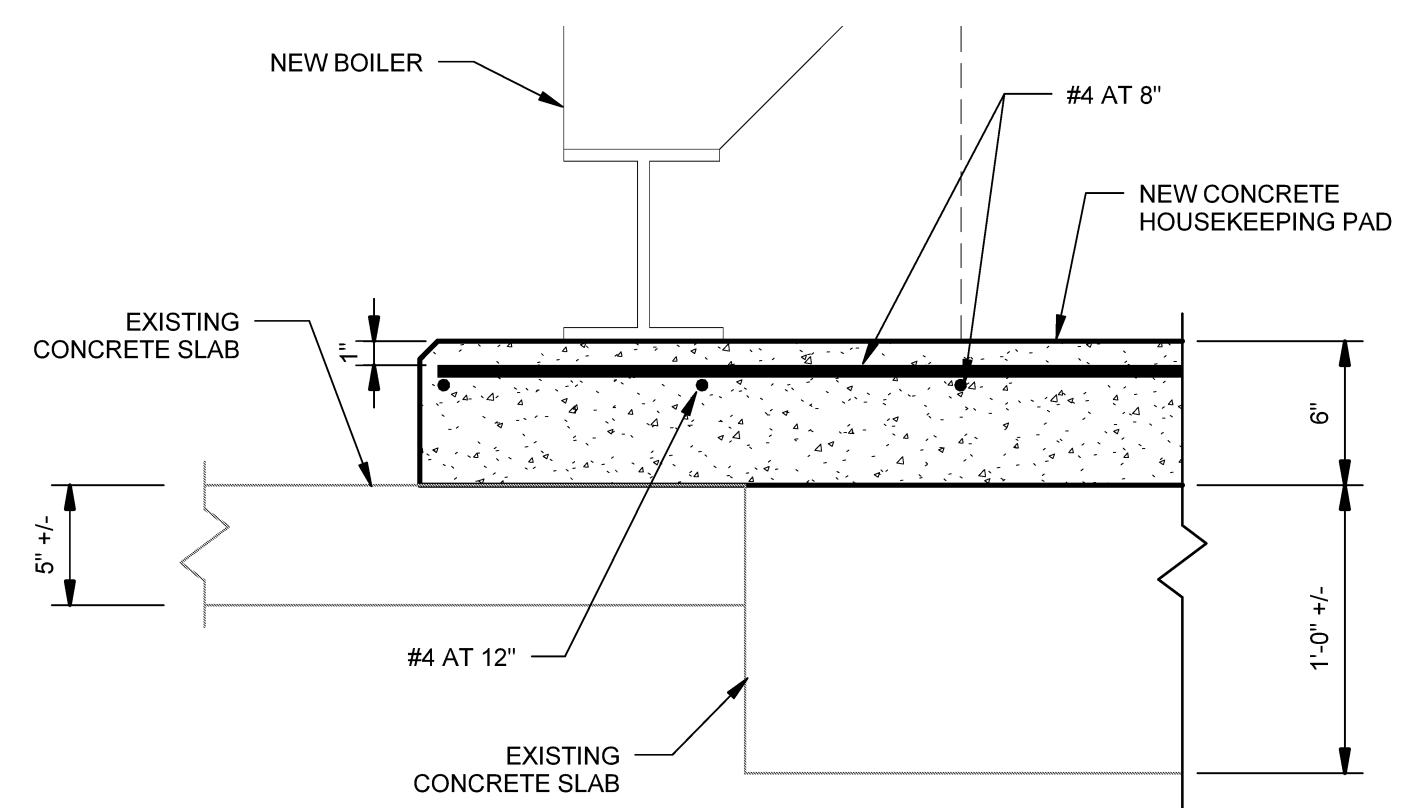
Drawing Scales



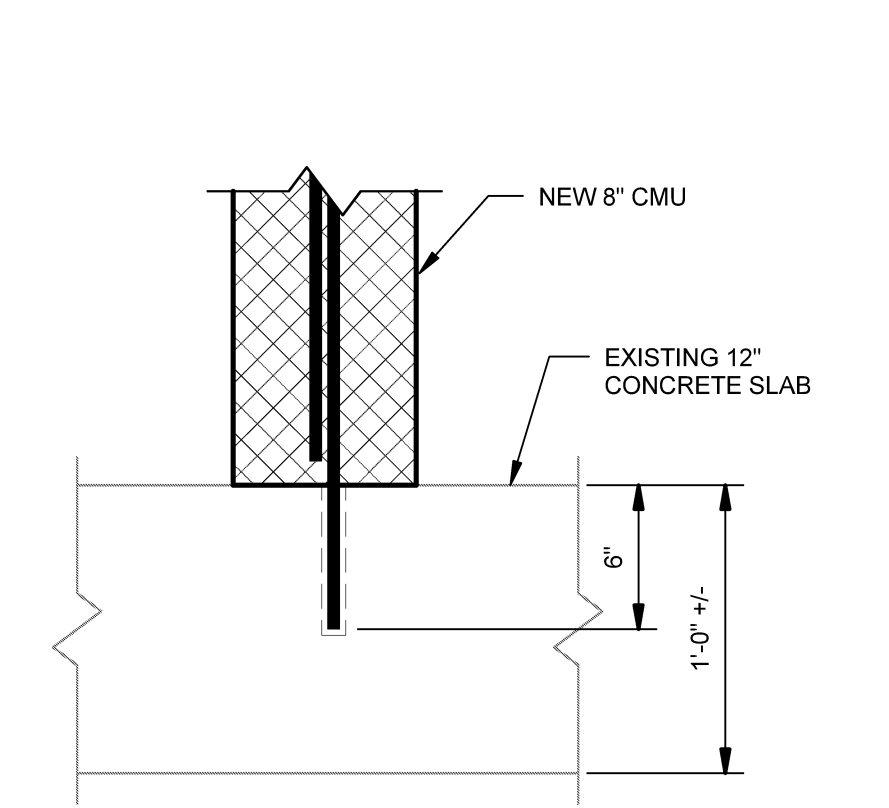
PA/PE: JPC © 2014 Harriman Associates
Drawn By: MRM

FOUNDATION PLAN

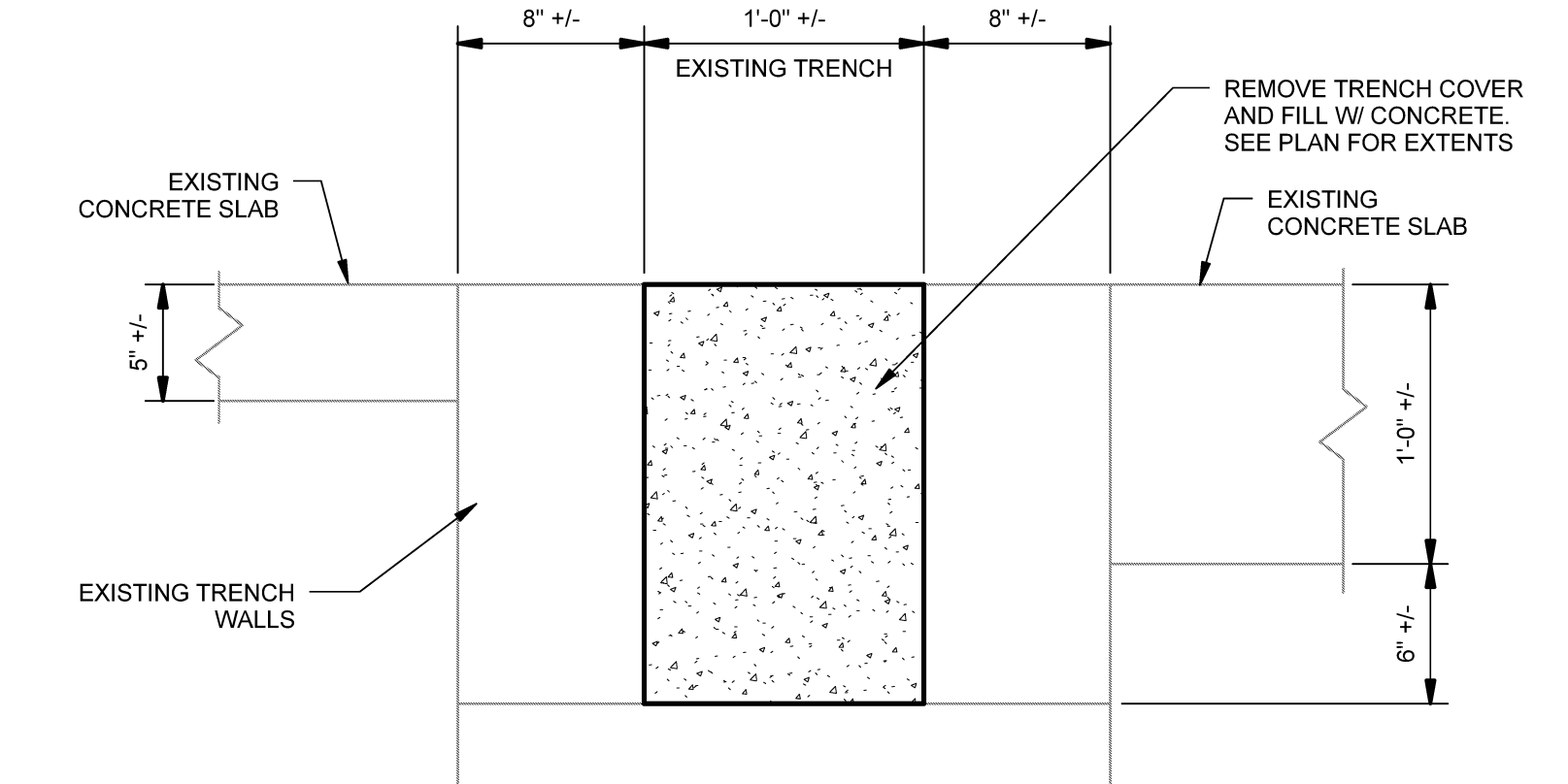
S10.1



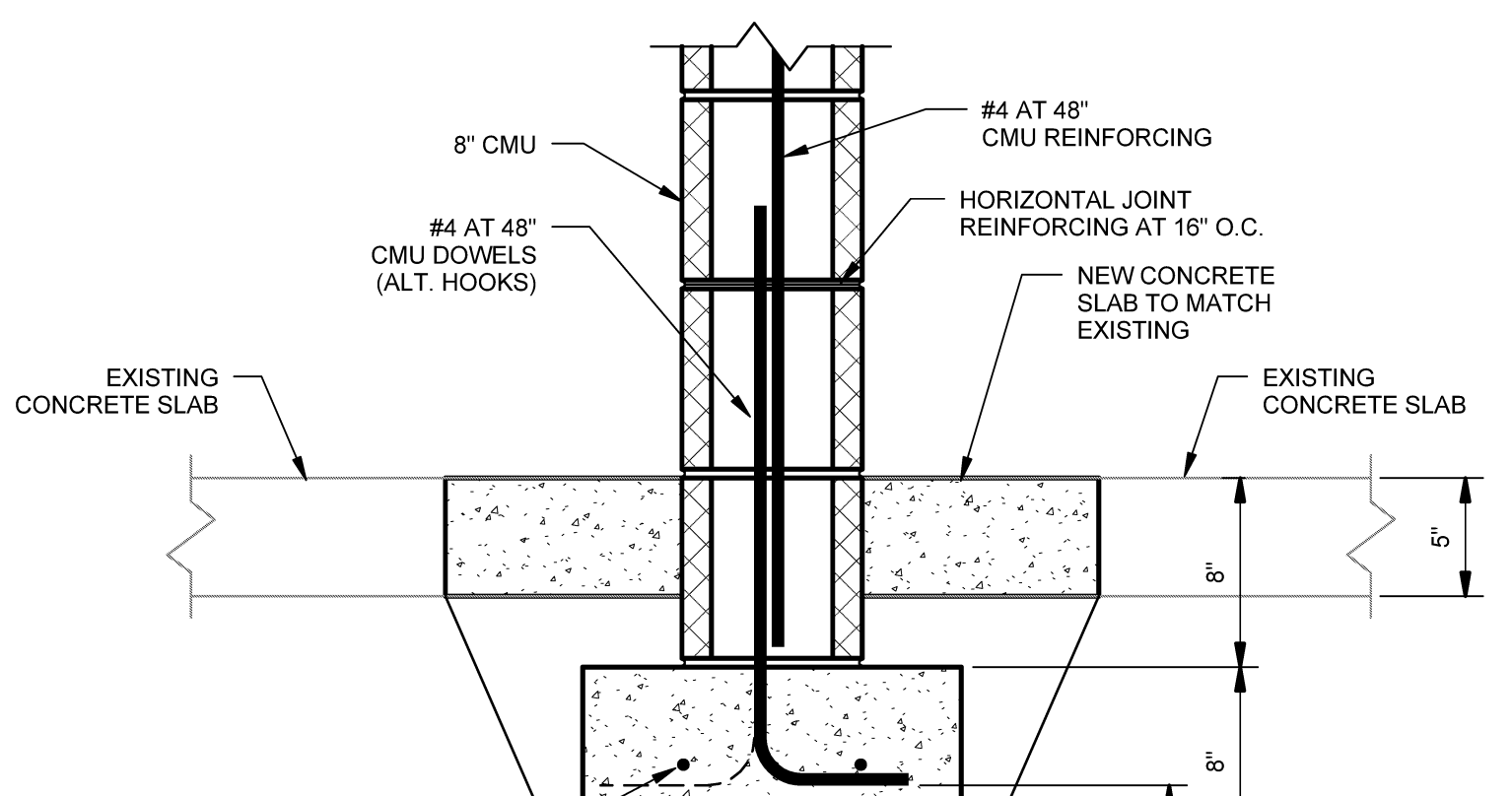
E2 SECTION
SCALE: 1 1/2" = 1'-0"



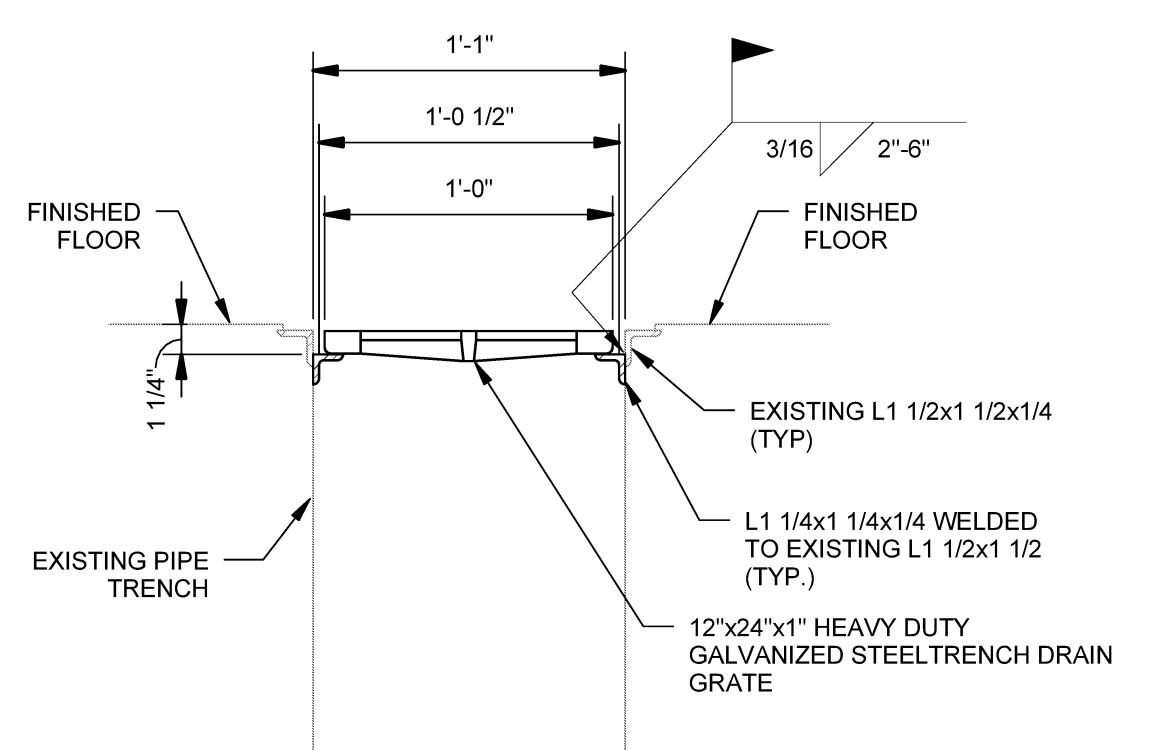
E3 SECTION
SCALE: 1 1/2" = 1'-0"



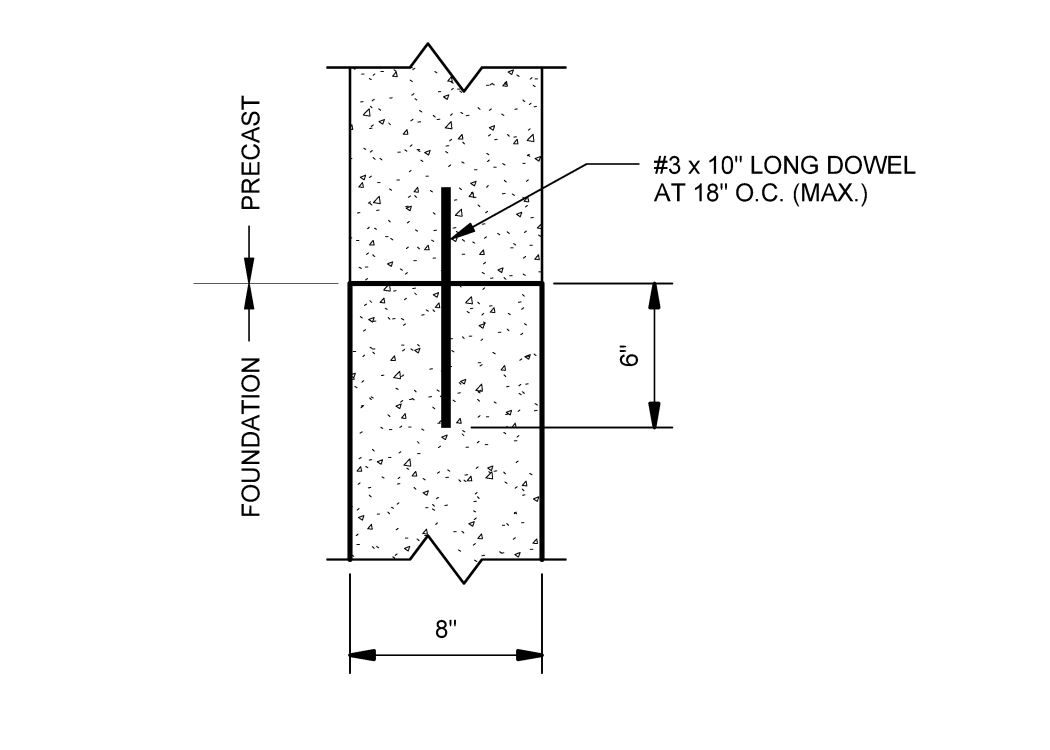
E4 SECTION
SCALE: 1 1/2" = 1'-0"



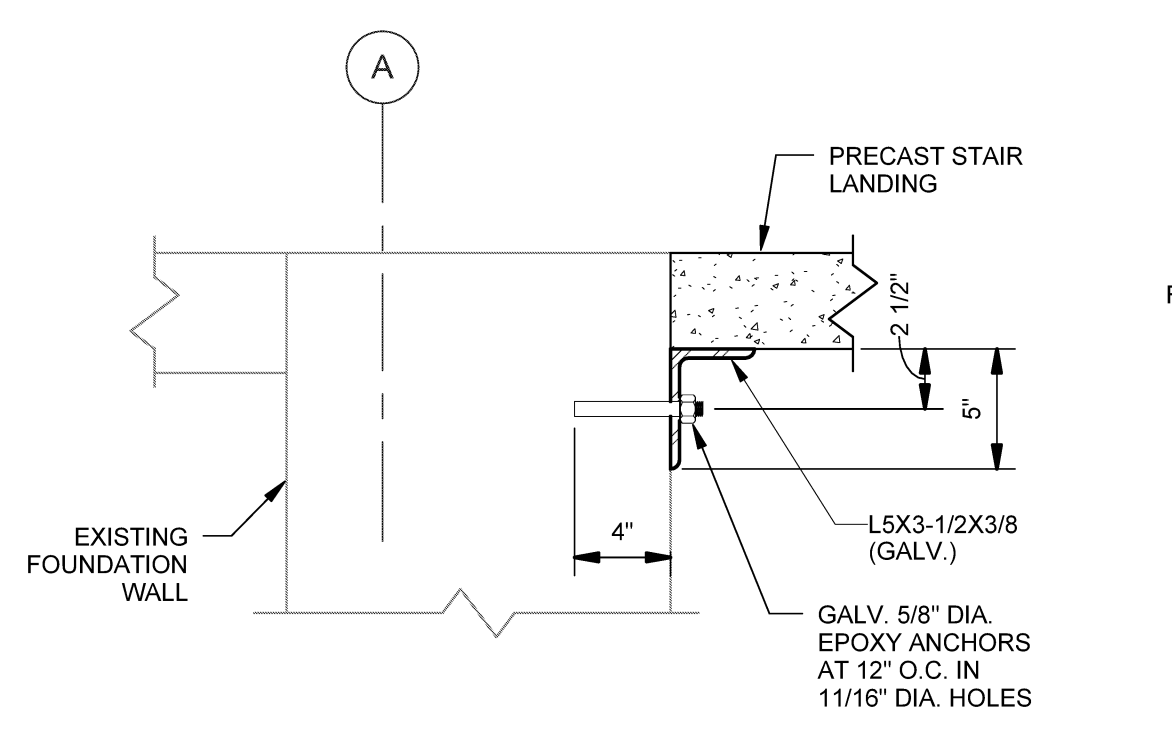
E5 SECTION
SCALE: 1 1/2" = 1'-0"



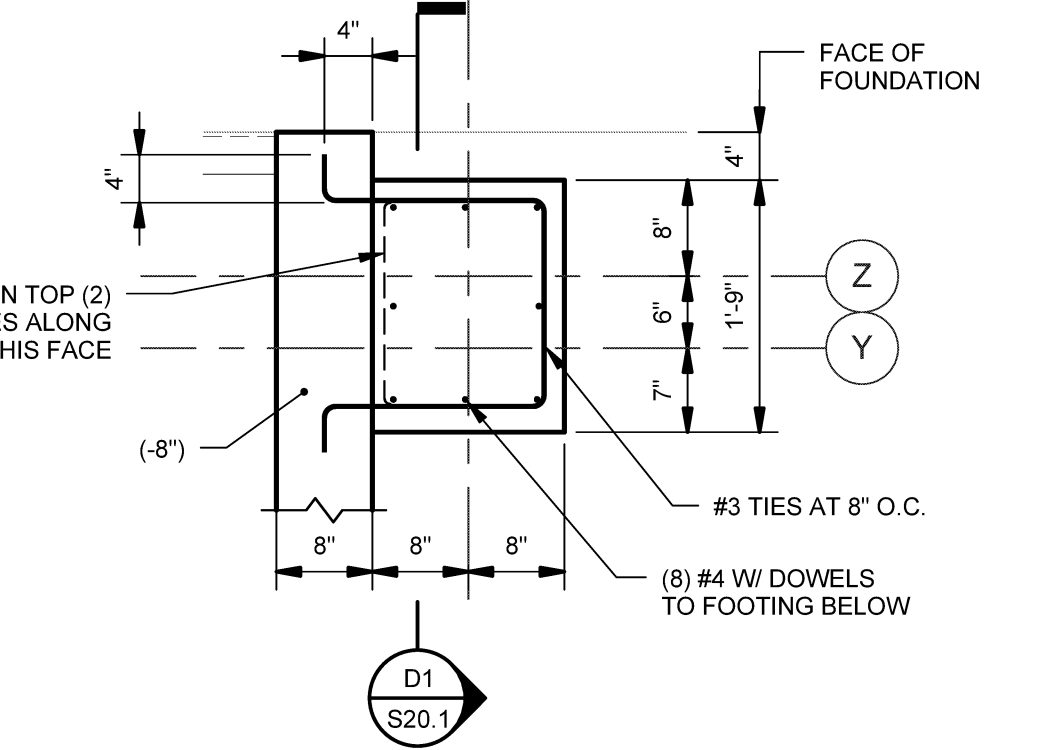
D1 SECTION AT TRENCH DRAIN GRATE
SCALE: 1 1/2" = 1'-0"



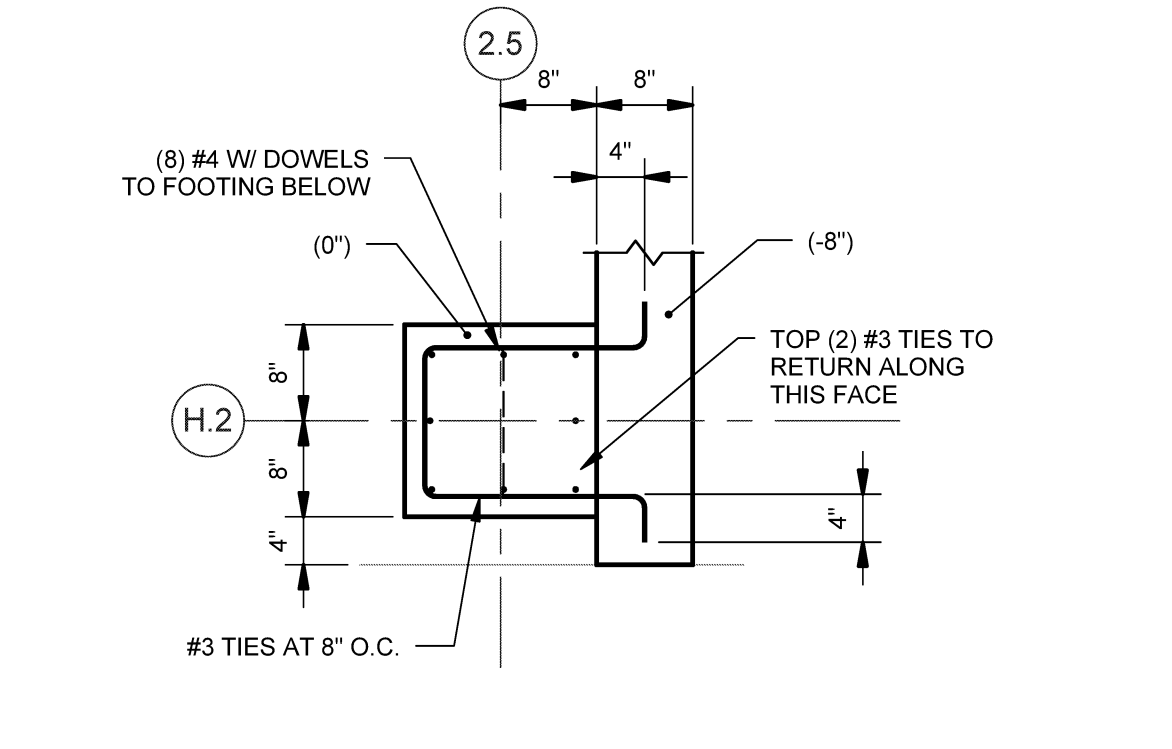
D2 SECTION
SCALE: 1 1/2" = 1'-0"



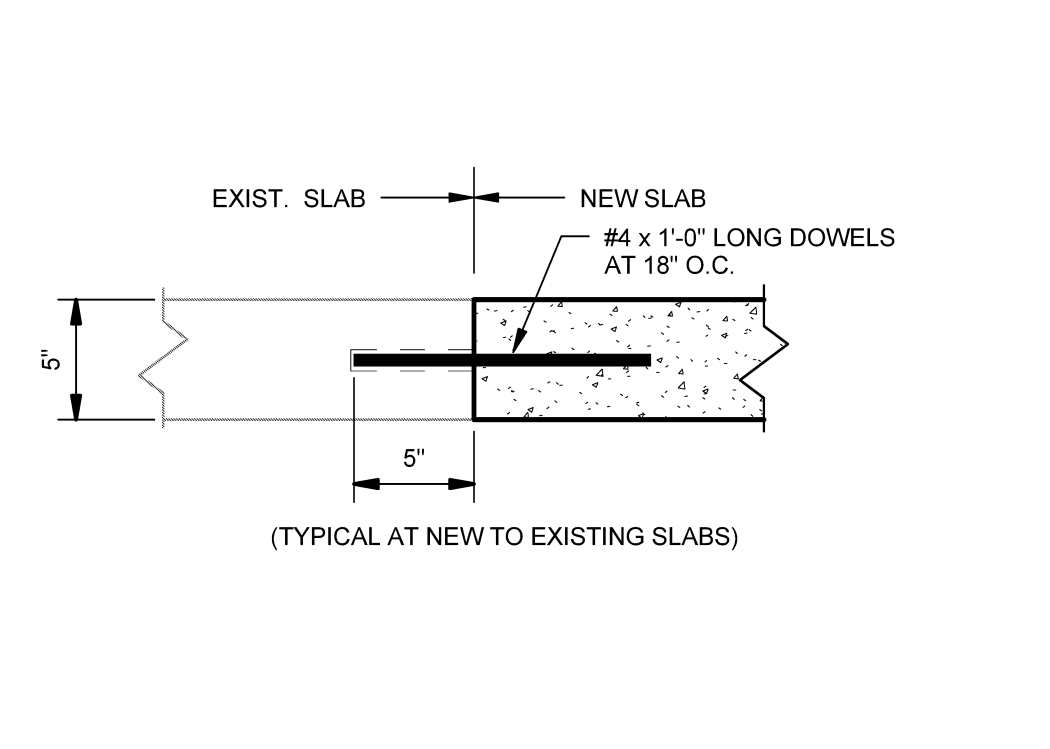
C1 SECTION
SCALE: 1 1/2" = 1'-0"



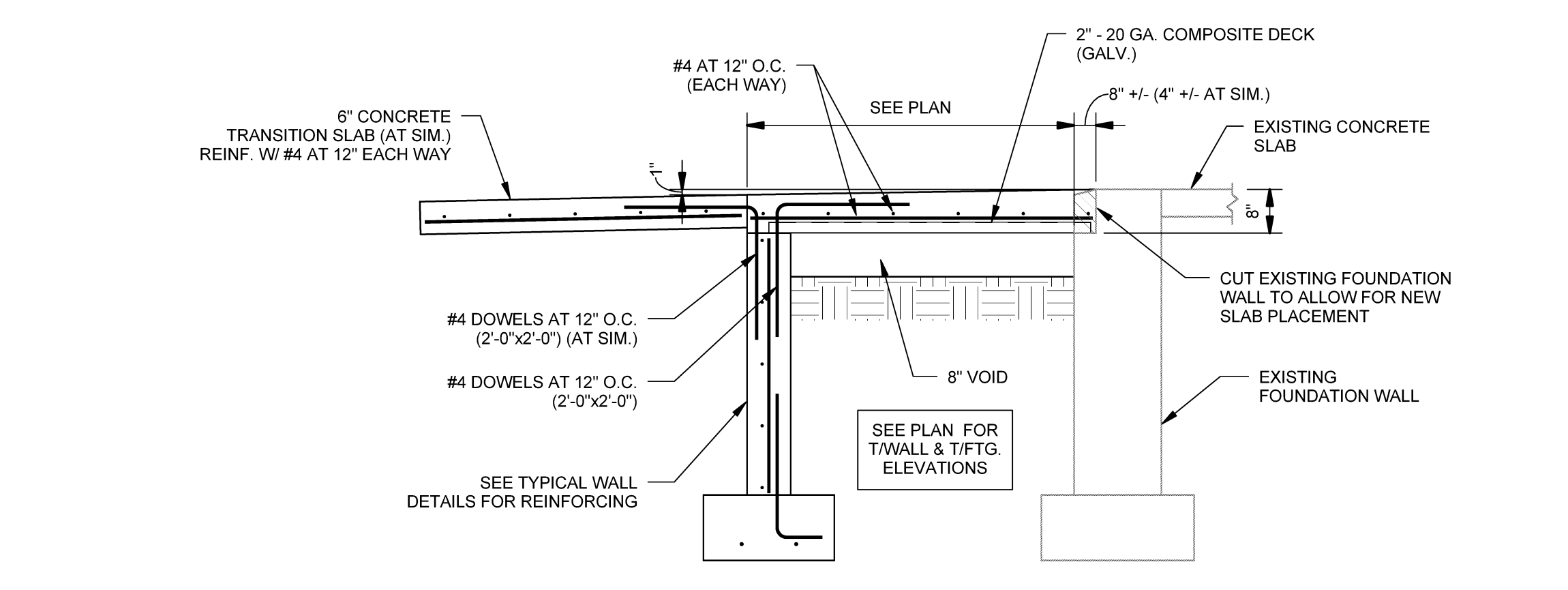
C2 DETAIL
SCALE: 3/4" = 1'-0"



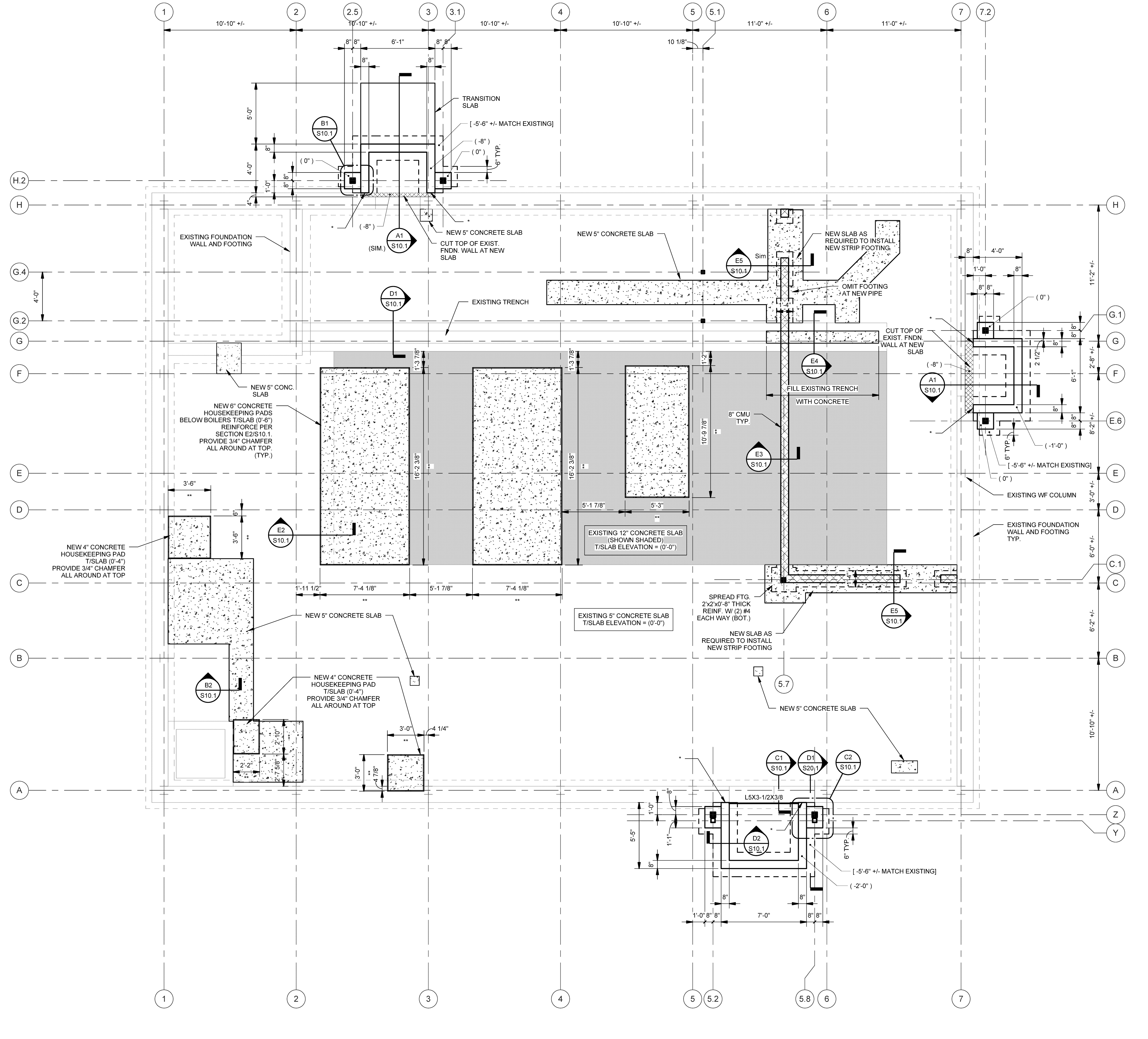
B1 DETAIL
SCALE: 3/4" = 1'-0"



B2 SECTION
SCALE: 1 1/2" = 1'-0"



A1 TYP. ENTRANCE SLAB DETAIL
NO SCALE



A3 FOUNDATION PLAN
SCALE: 1/4" = 1'-0"

Plot Date: 10/30/2014 8:57:59 AM