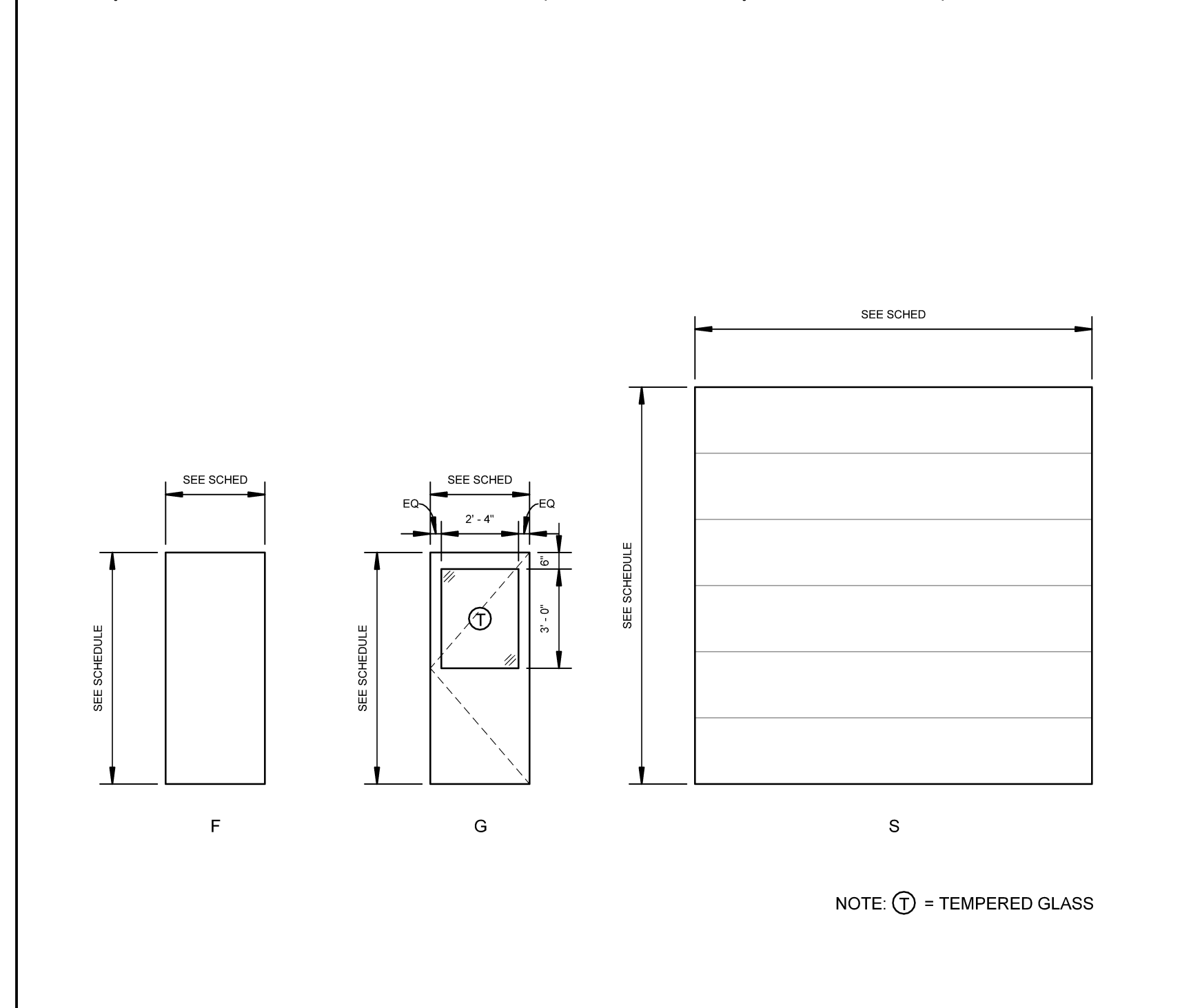


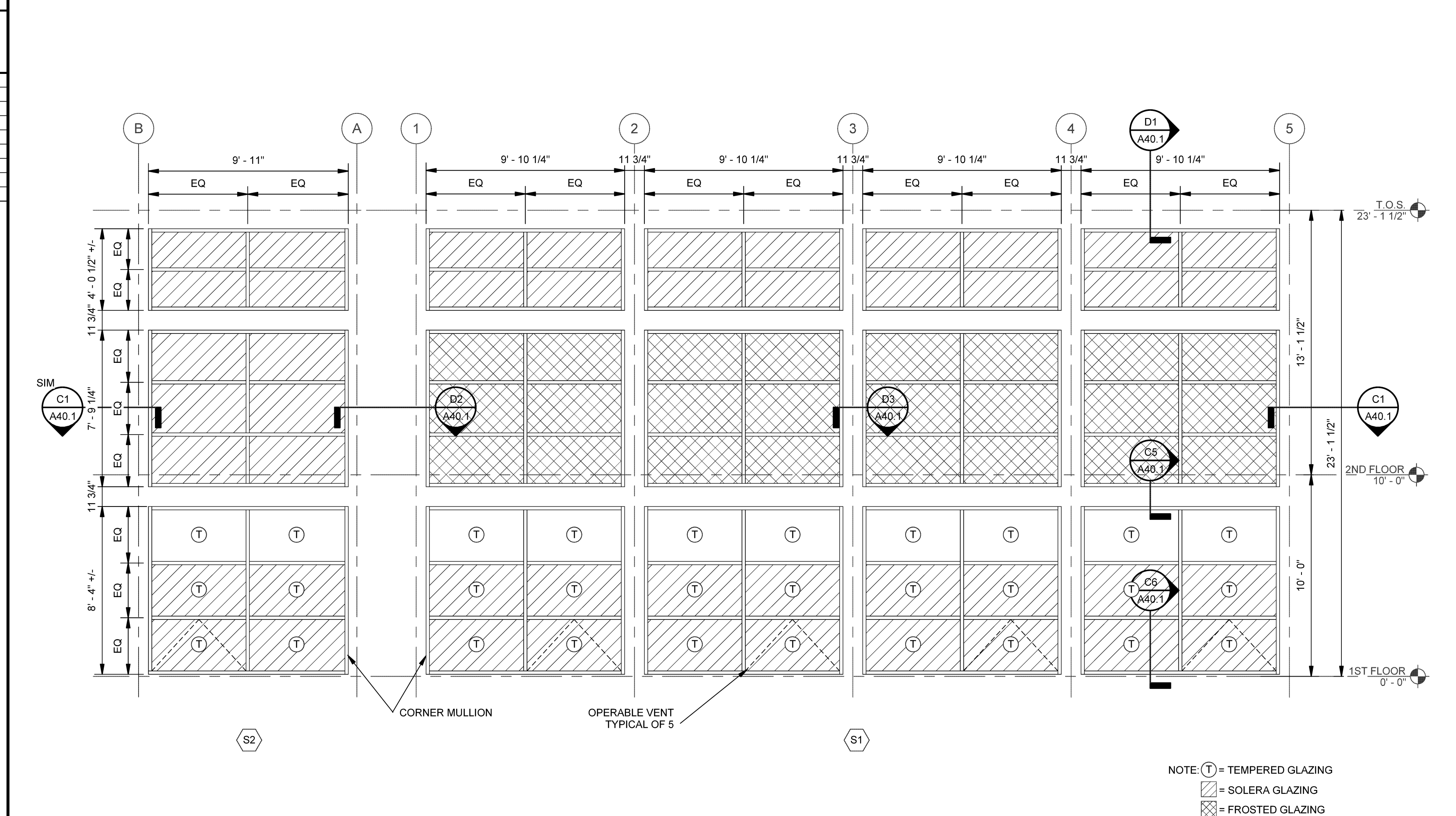
DOOR AND FRAME SCHEDULE

No.	DOOR PANELS				FRAME			FIRE RATING	STC RATING	HDW SET	REMARKS			
	PANEL SIZE			TYPE	MAT	TYPE	MAT / FIN					DETAILS		
	PANELS	WIDTH	HEIGHT									THICK	HEAD	JAMB
101	(1)	3'-4"	7'-0"	1 3/4"	G	HM	EXIS	EXIS	-	-	(none)			
101B	(1)	3'-4"	7'-0"	1 3/4"	G	HM	EXIS	EXIS	-	-	(none)			
101C	(1)	12'-0"	12'-0"	2"	F	HM	EXIS	EXIS	B3/A55.1	B3/A55.1	B3/A55.1			
102	(1)	3'-0"	7'-0"	1 3/4"	G	HM	2	HM	A1/A55.1	A2/A55.1	A3/A55.1			
102B	(1)	3'-0"	7'-0"	1 3/4"	G	HM	2	HM	B1/A55.1	B2/A55.1	-			
103	(1)	3'-0"	7'-0"	1 3/4"	F	HM	1	HM	C1/A55.1	C2/A55.1	-			
104	(1)	3'-0"	7'-0"	1 3/4"	F	HM	2	HM	C1/A55.1	C2/A55.1	-			
105	(1)	3'-0"	7'-0"	1 3/4"	F	HM	2	HM	B1/A55.1	B2/A55.1	-			



D1 DOOR TYPES
SCALE: 1/4" = 1'-0"

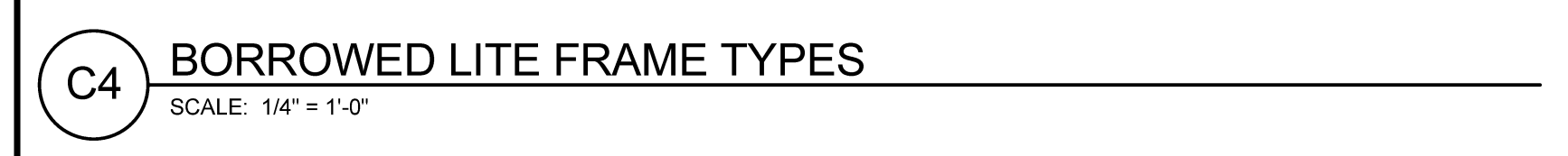
D2 DOOR FRAME TYPES
SCALE: 1/4" = 1'-0"



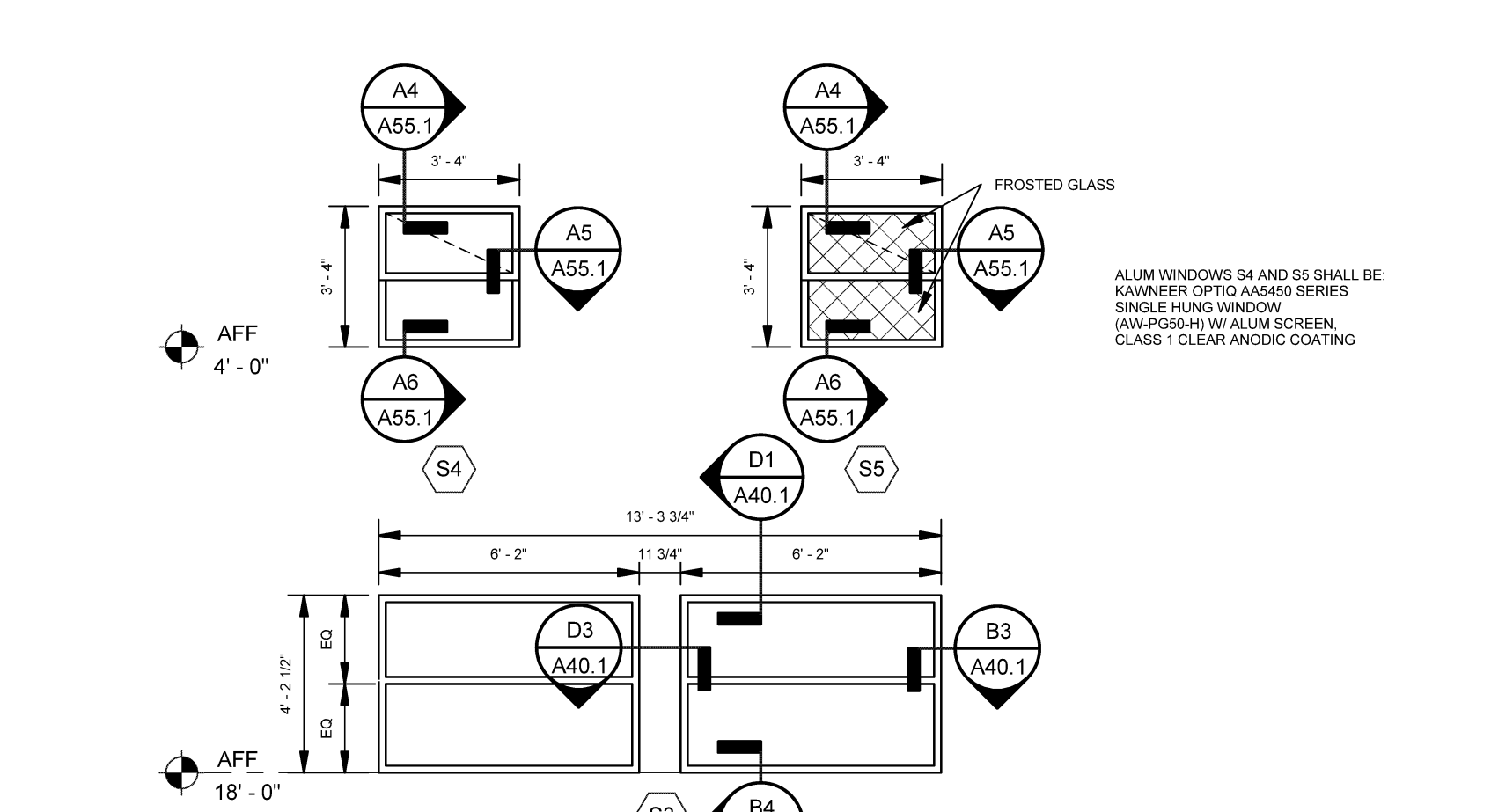
D4 STOREFRONT TYPES
SCALE: 1/4" = 1'-0"

BORROWED LITE SCHEDULE

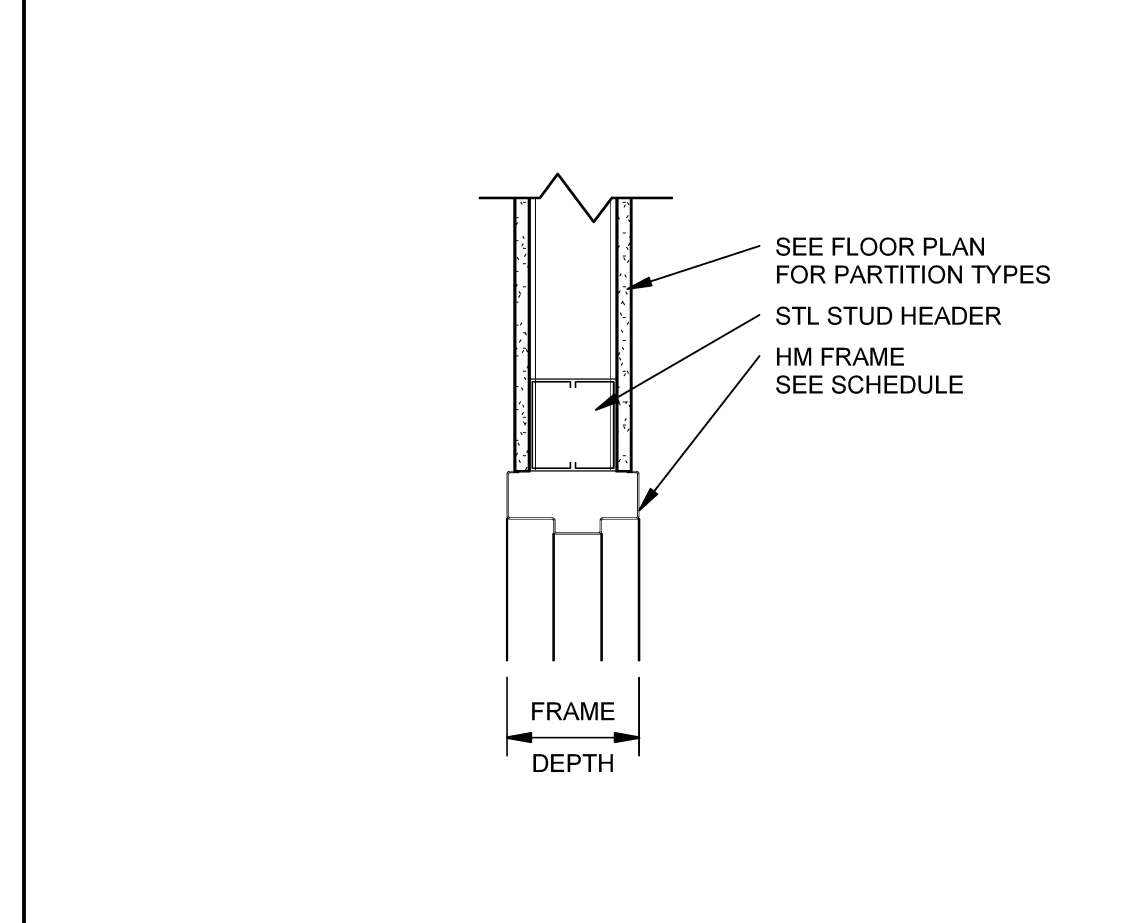
No.	LITE			FRAME			REMARKS			
	SIZE	GLASS	MAT	TYPE	HEAD	JAMB		SILL		
	WIDTH	HEIGHT	SILL HEIGHT	GLASS	MAT	TYPE		HEAD	JAMB	SILL
BL1	4'-0"	4'-0"	3'-4"	RATED	HM-RATED	2	B4/A55.1	B5/A55.1	B6/A55.1	90 MIN FIRE RATING
BL2	6'-8"	4'-0"	3'-4"	RATED	HM-RATED	2	B4/A55.1	B5/A55.1	B6/A55.1	90 MIN FIRE RATING



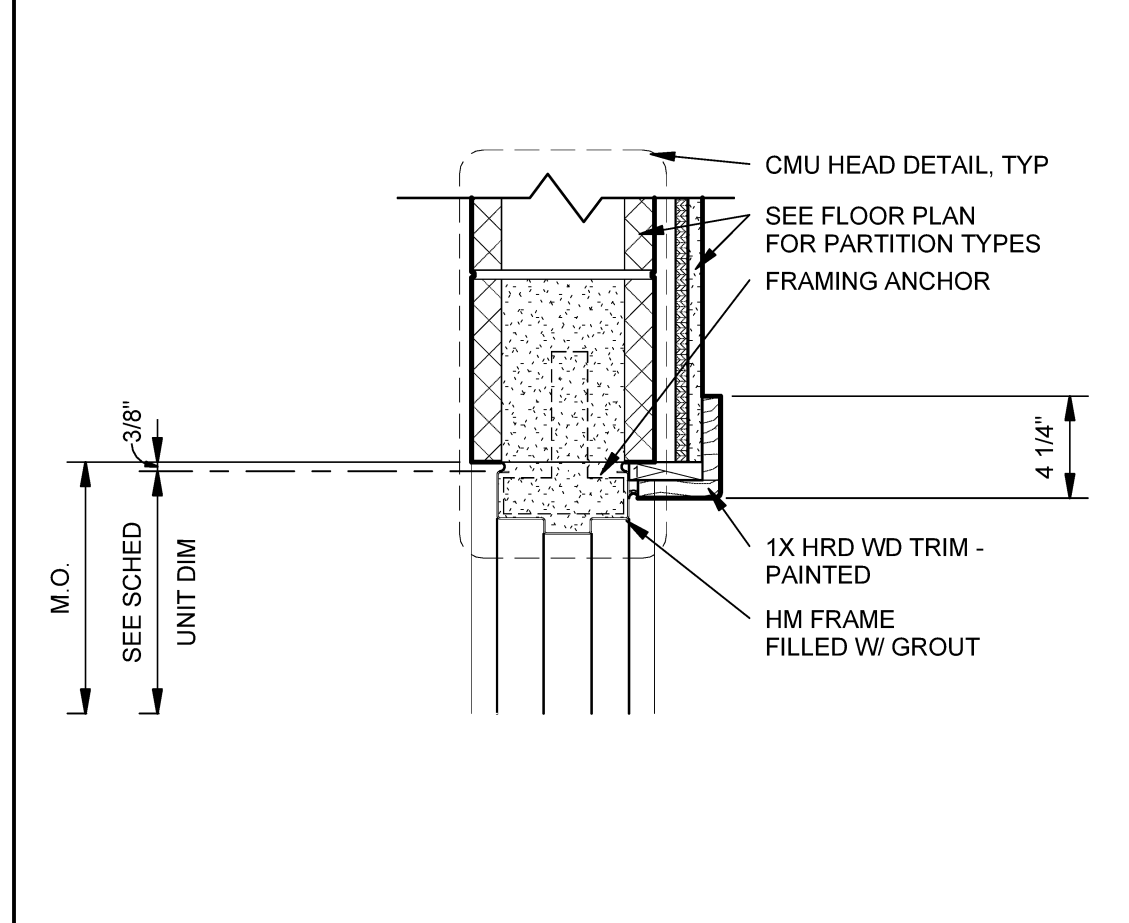
C4 BORROWED LITE FRAME TYPES
SCALE: 1/4" = 1'-0"



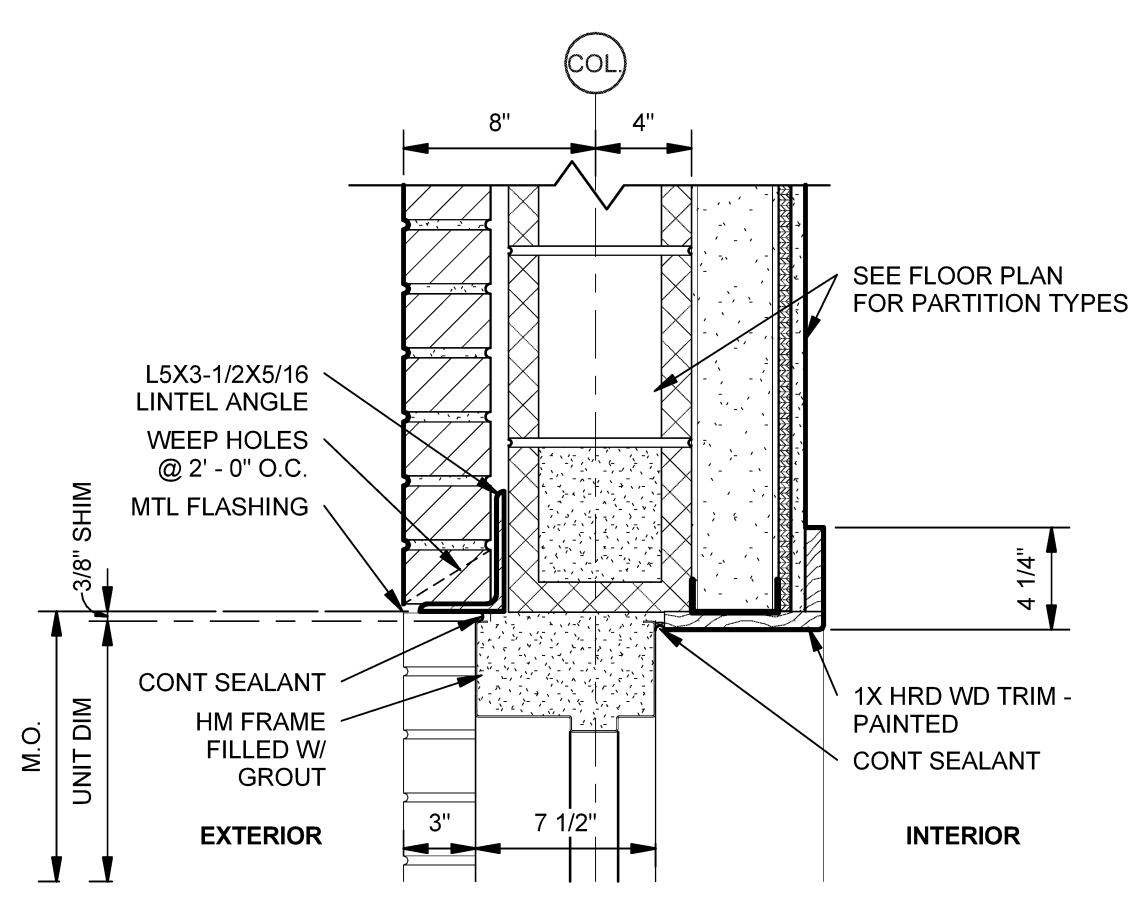
C5 STOREFRONT TYPES
SCALE: 1/4" = 1'-0"



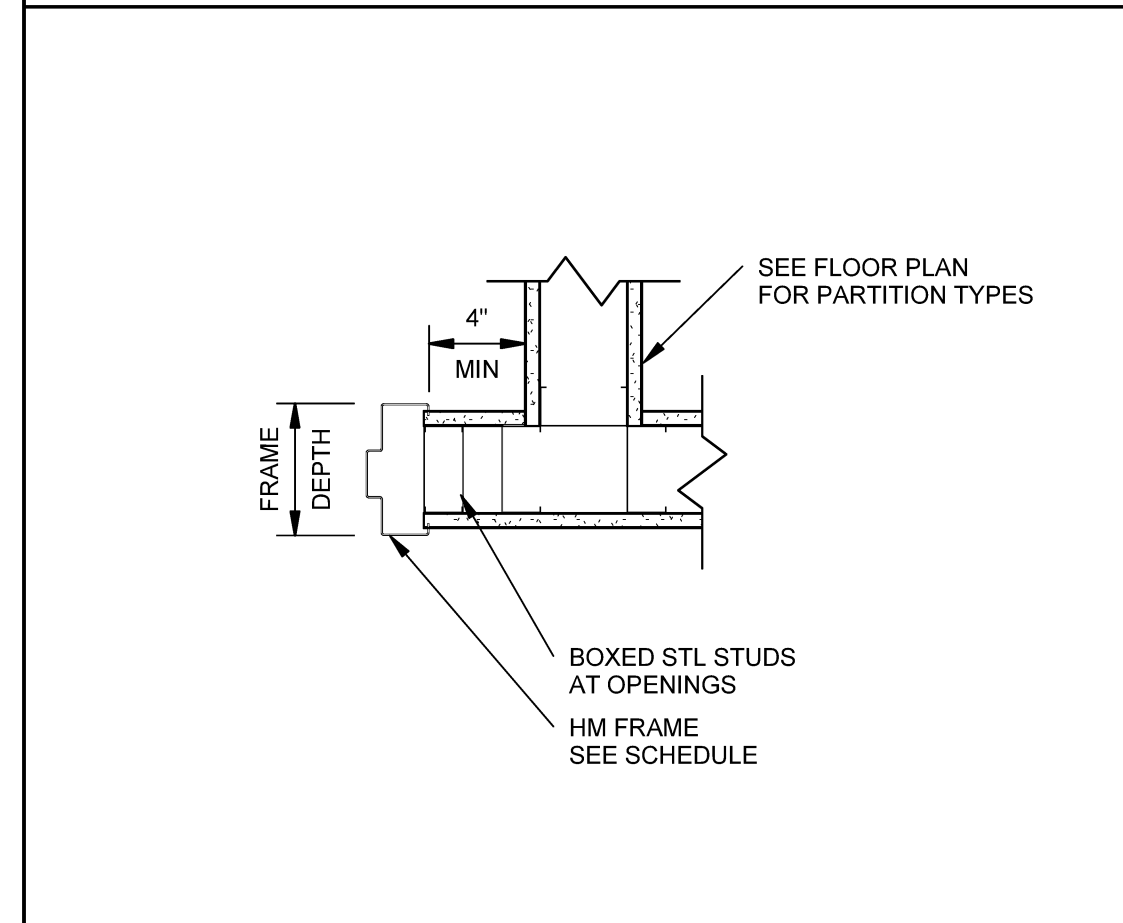
C1 STUD HEAD DETAIL, TYP
SCALE: 1 1/2" = 1'-0"



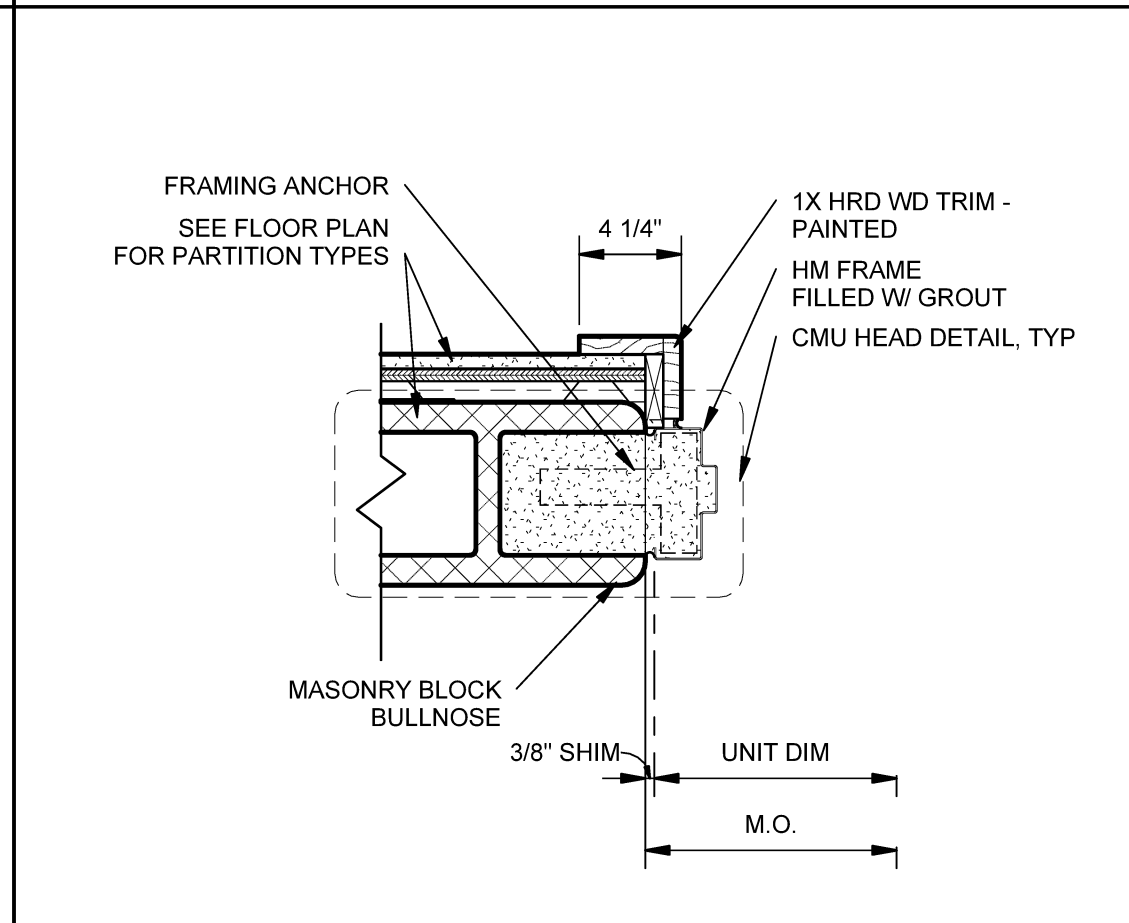
C2 CMU HEAD DETAIL
SCALE: 1 1/2" = 1'-0"



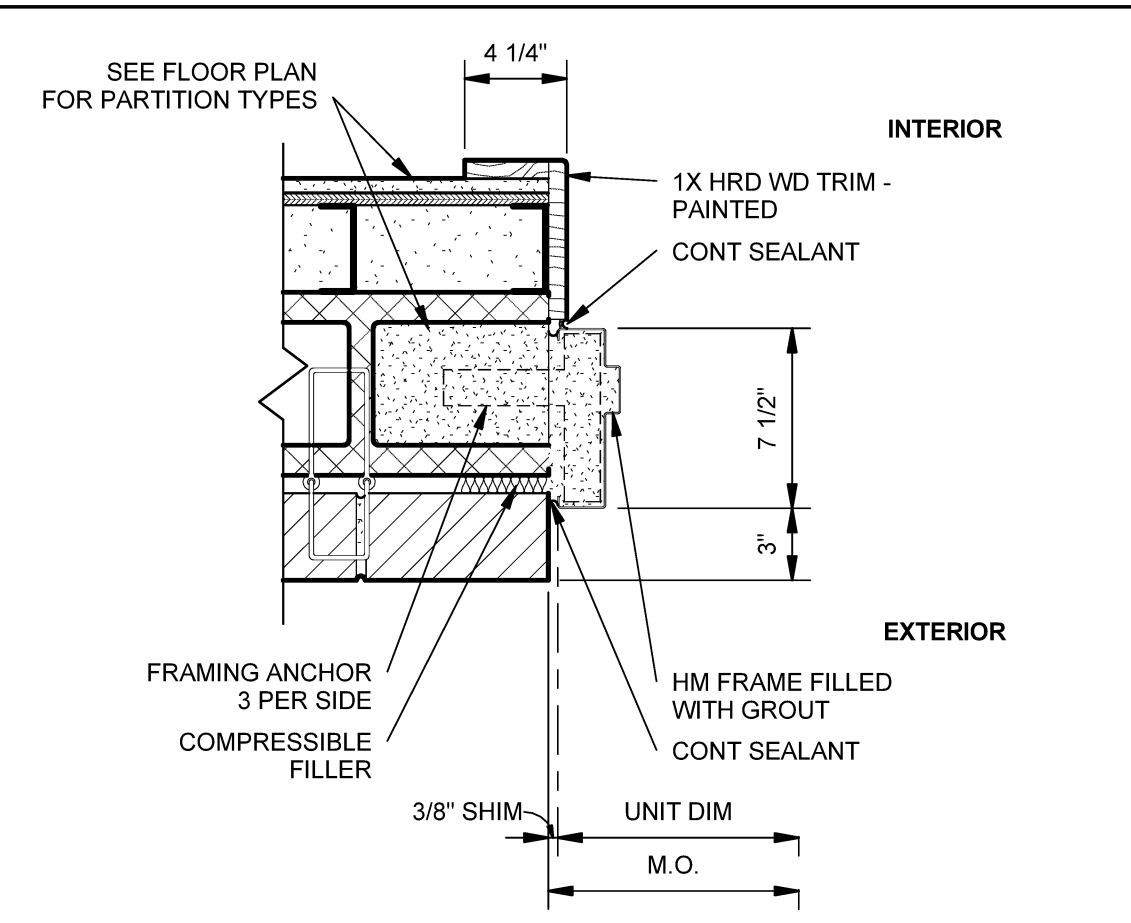
C3 CMU/BRICK HEAD DETAIL
SCALE: 1 1/2" = 1'-0"



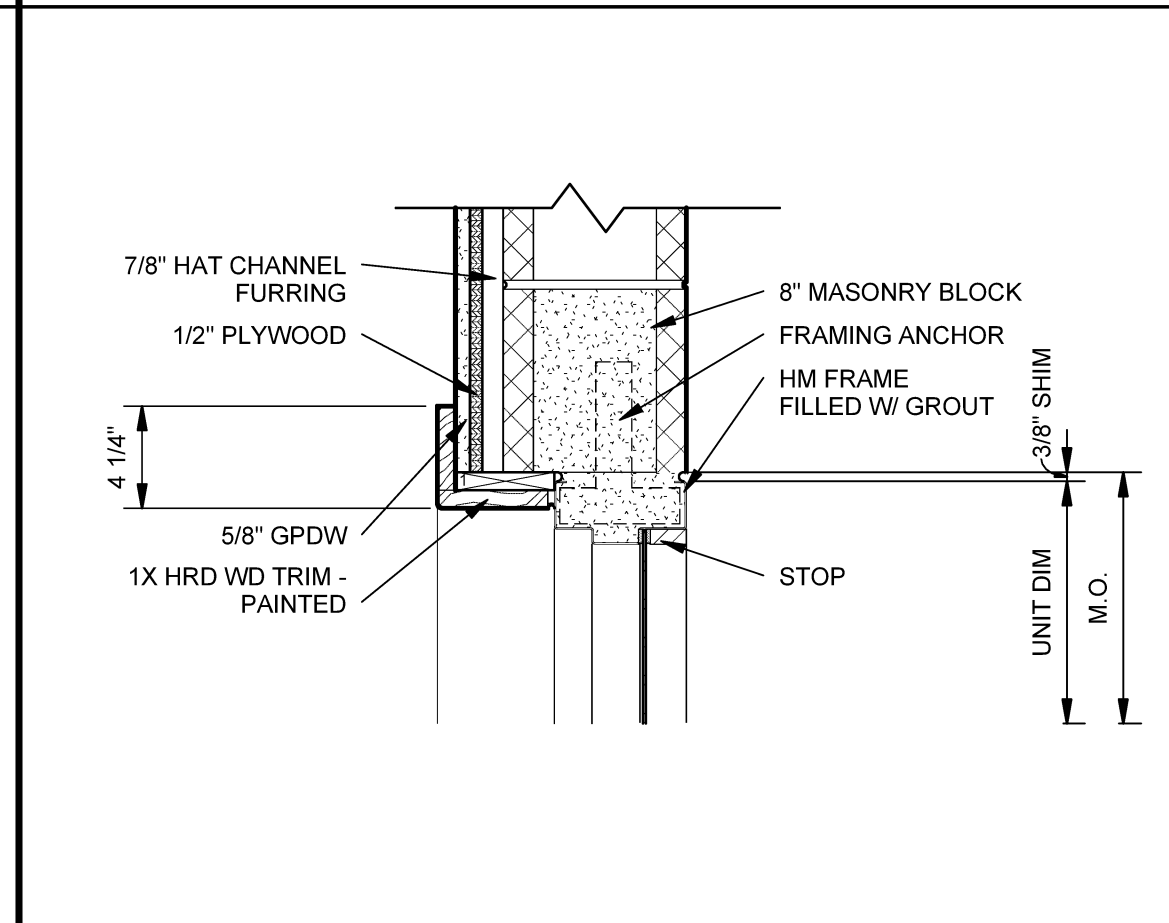
B1 STUD JAMB DETAIL, TYP
SCALE: 1 1/2" = 1'-0"



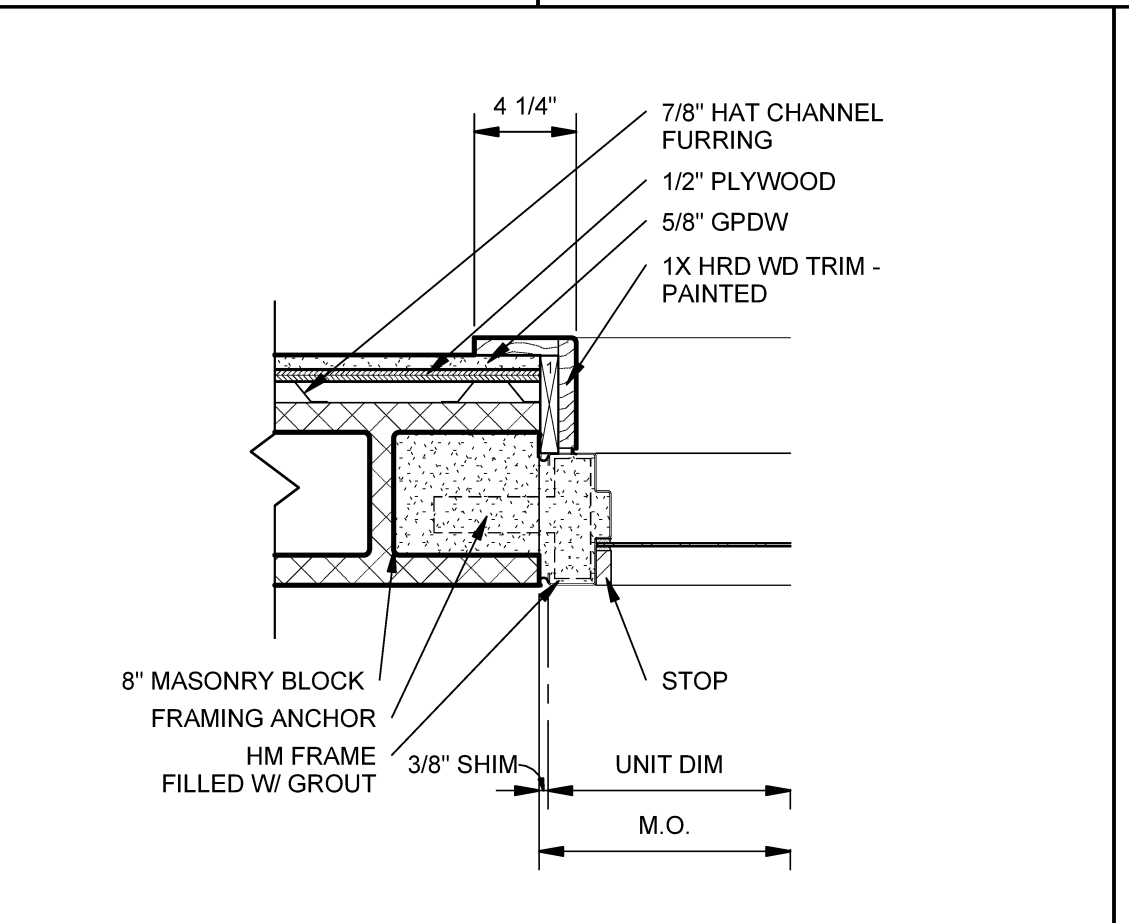
B2 CMU JAMB DETAIL
SCALE: 1 1/2" = 1'-0"



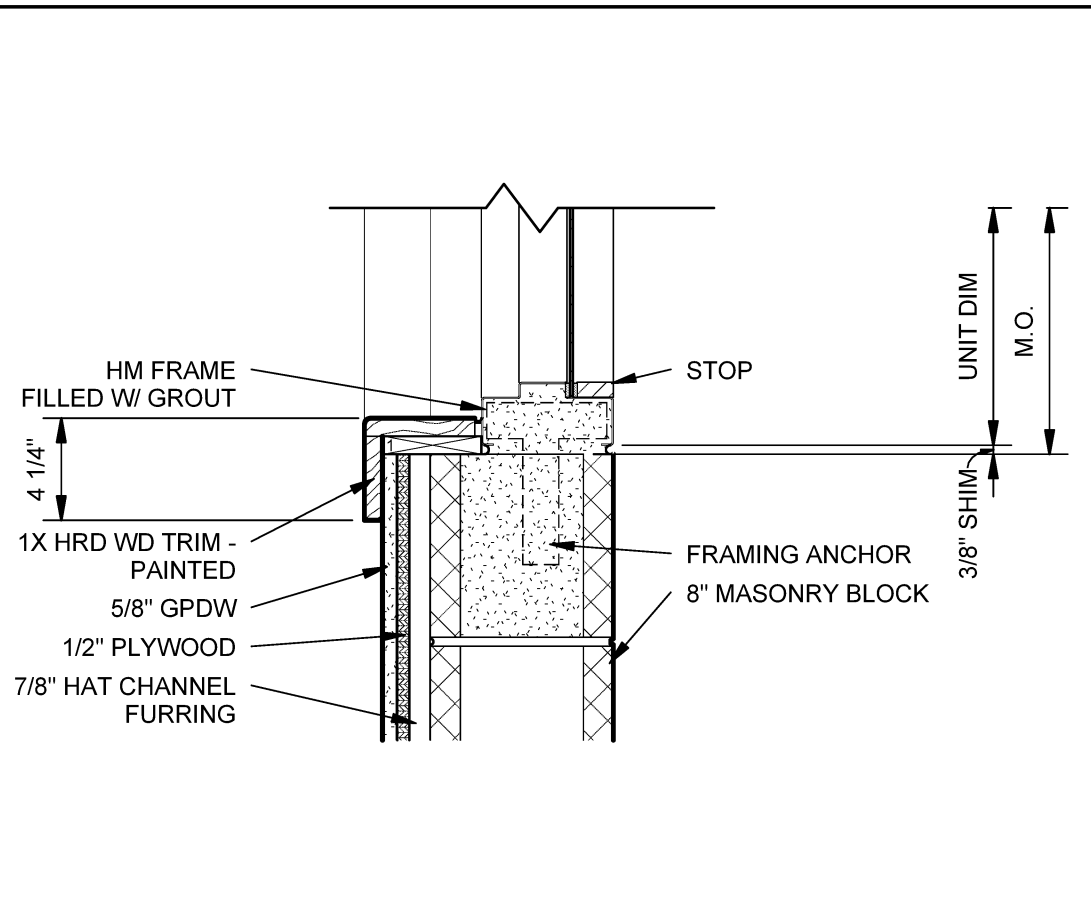
B3 CMU/BRICK JAMB DETAIL
SCALE: 1 1/2" = 1'-0"



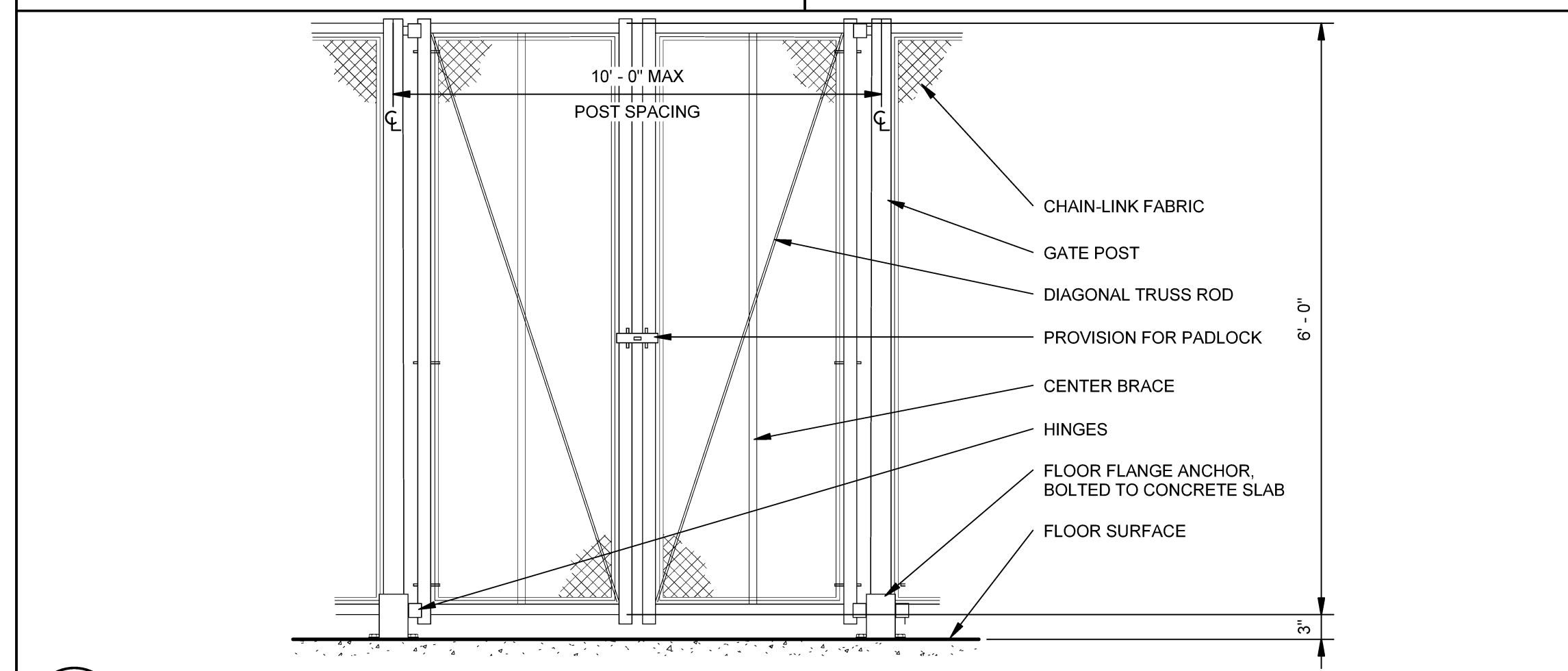
B4 HM FRAME HEAD DETAIL
SCALE: 1 1/2" = 1'-0"



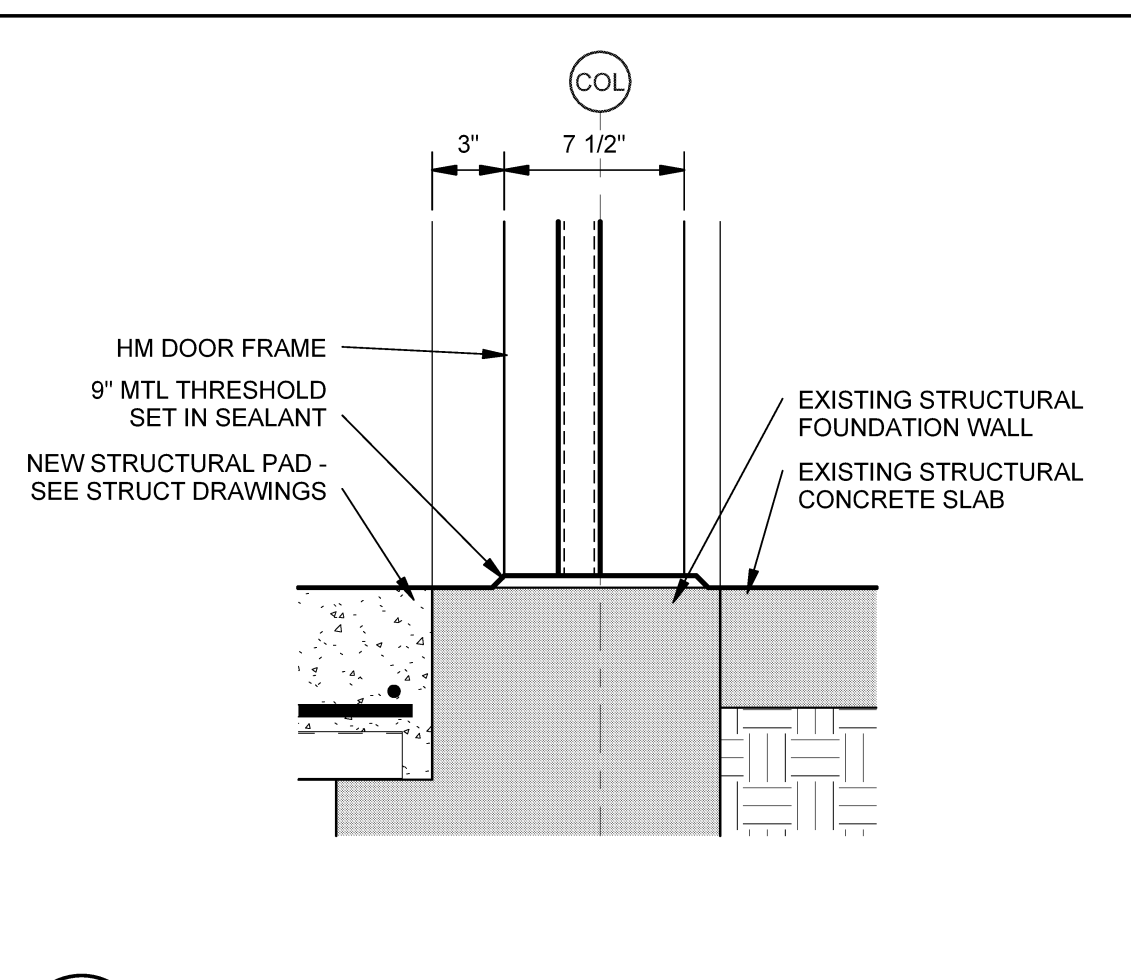
B5 HM FRAME JAMB DETAIL
SCALE: 1 1/2" = 1'-0"



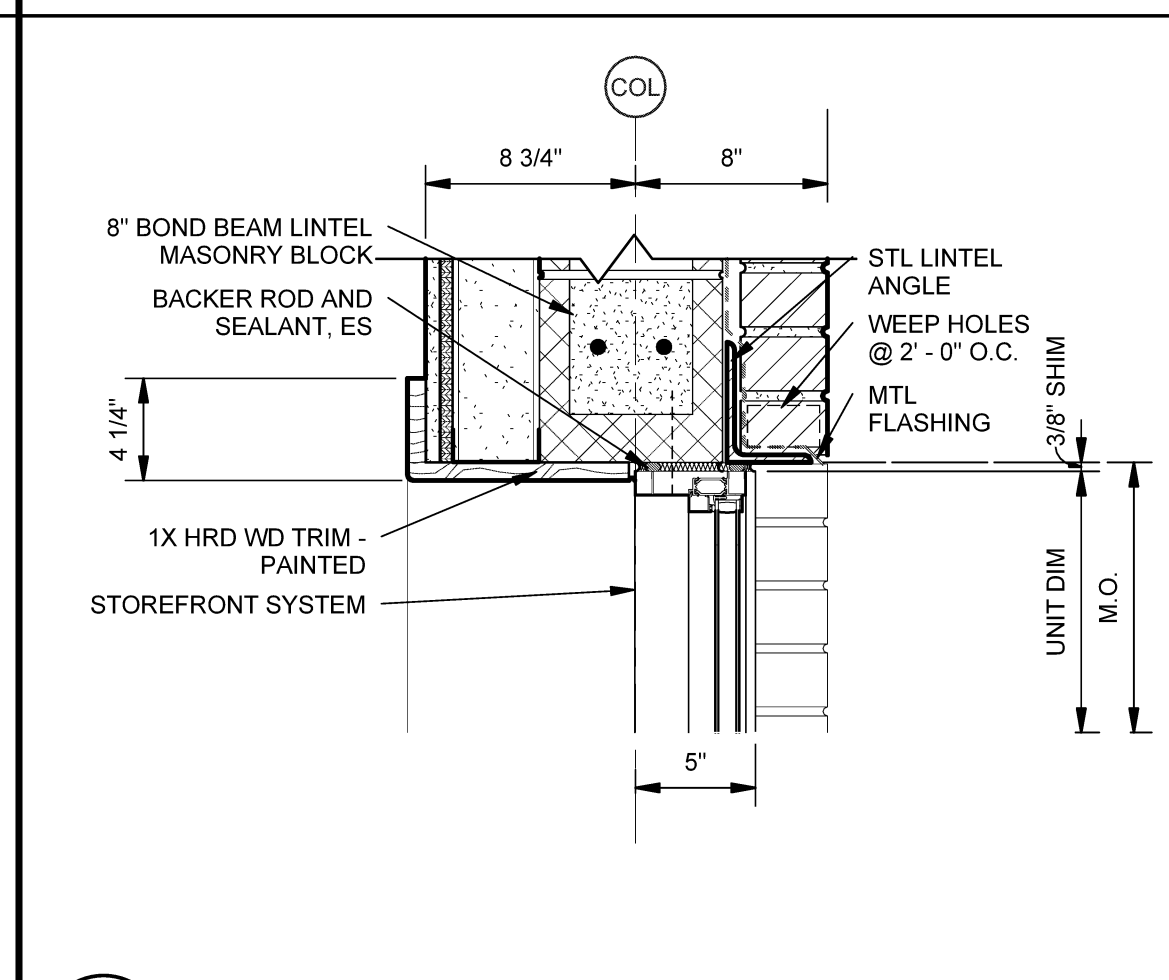
B6 HM FRAME SILL DETAIL
SCALE: 1 1/2" = 1'-0"



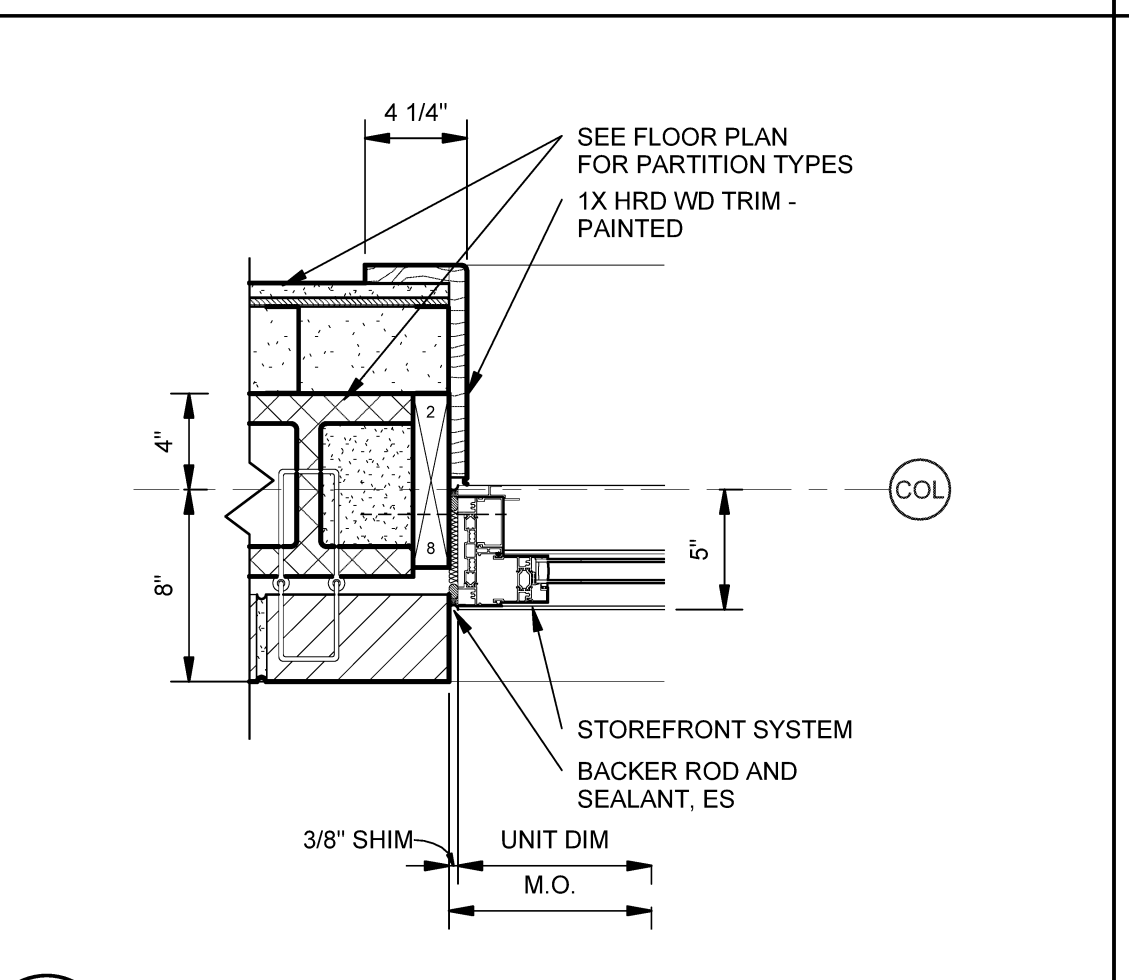
A1 CHAIN-LINK GATE DETAIL
NO SCALE



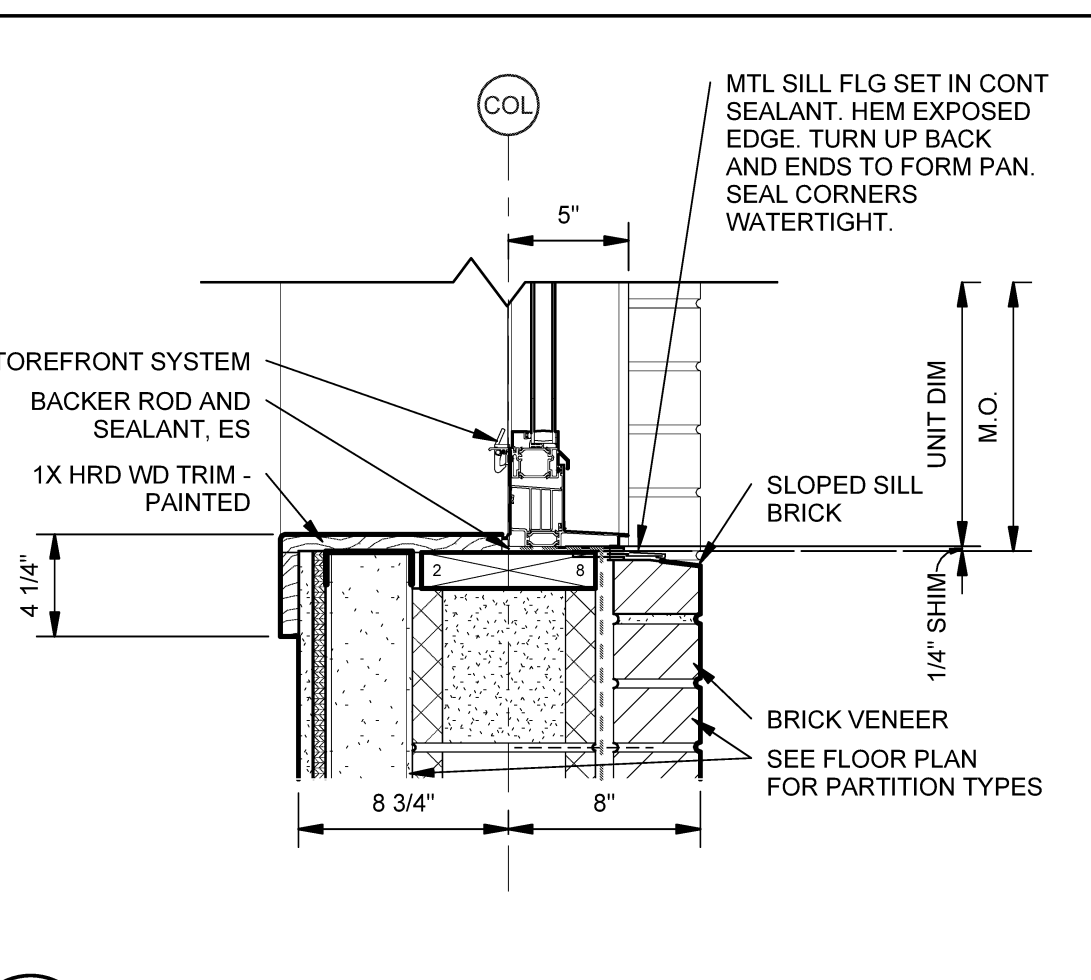
A3 SILL DETAIL AT STRUCTURAL SLAB
SCALE: 1 1/2" = 1'-0"



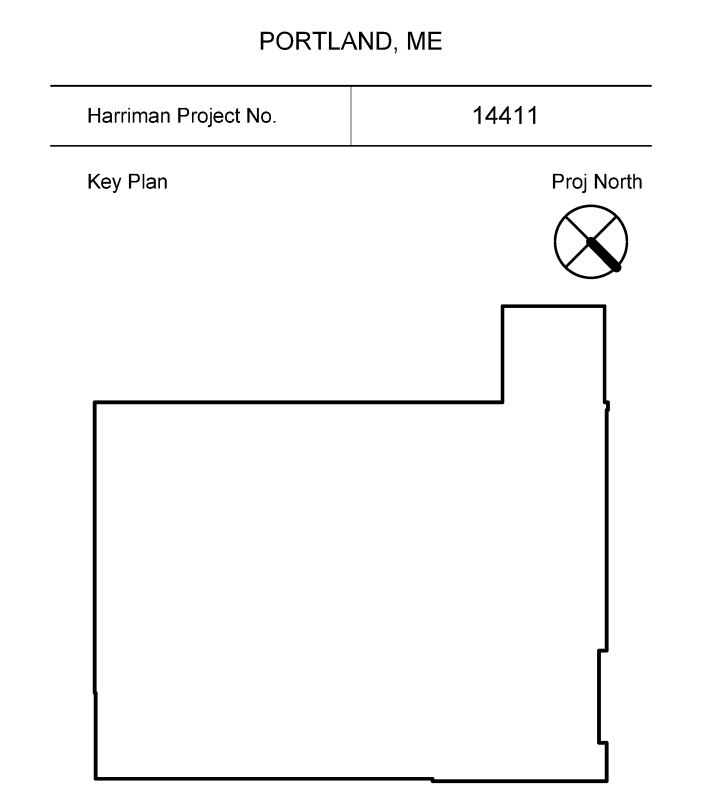
A4 STOREFRON HEAD DETAIL
SCALE: 1 1/2" = 1'-0"



A5 STOREFRONT JAMB DETAIL
SCALE: 1 1/2" = 1'-0"

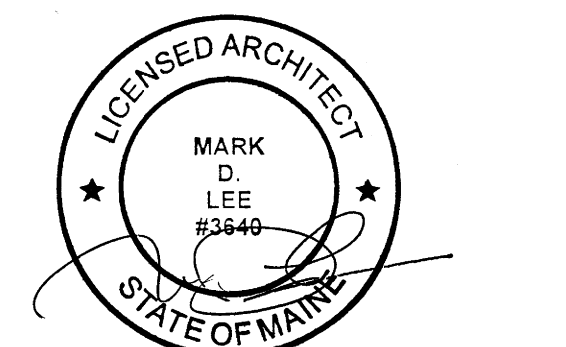


A6 STOREFRONT SILL DETAIL
SCALE: 1 1/2" = 1'-0"



Issues and Revisions

Mark	Date	Description
08-25-14		REVISED SCHEMATIC DESIGN
09-05-14		DESIGN DEVELOPMENT
09-19-14		PROGRESS REVIEW
09-26-14		PROGRESS REVIEW
10-03-14		PROGRESS REVIEW
10-10-14		FINAL REVIEW
10-23-14		100% REVIEW
10-31-14		ISSUED FOR BID



Drawing Scales

As indicated

PA/PE: Designer © 2014 Harriman Associates
Drawn By: Author

DOOR AND WINDOW SCHEDULES

A55.1