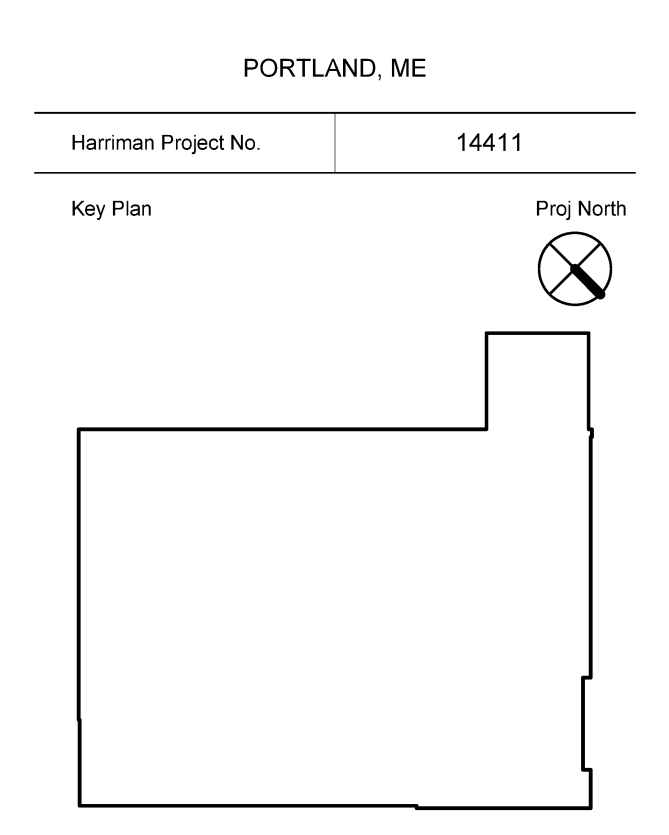
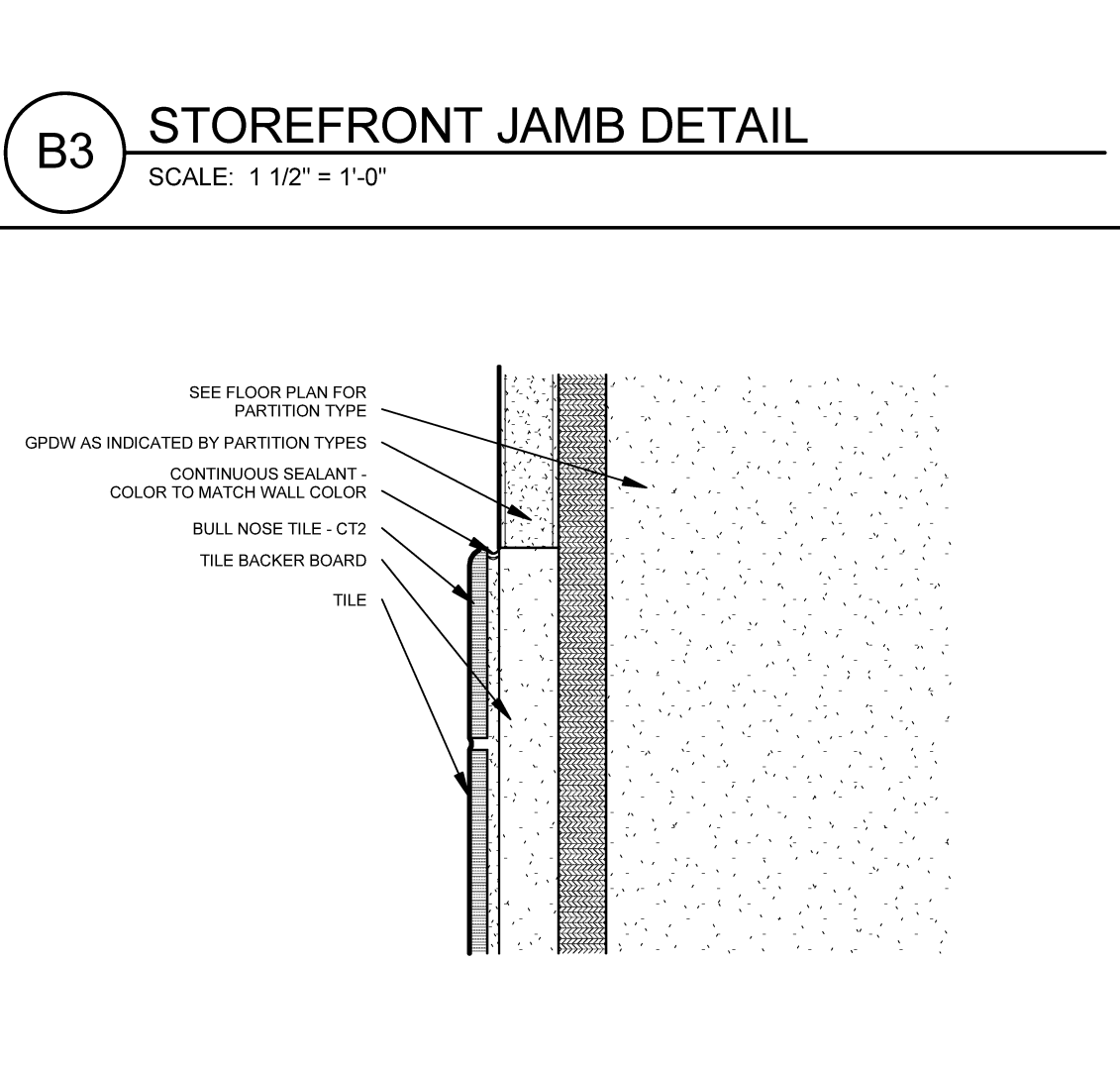
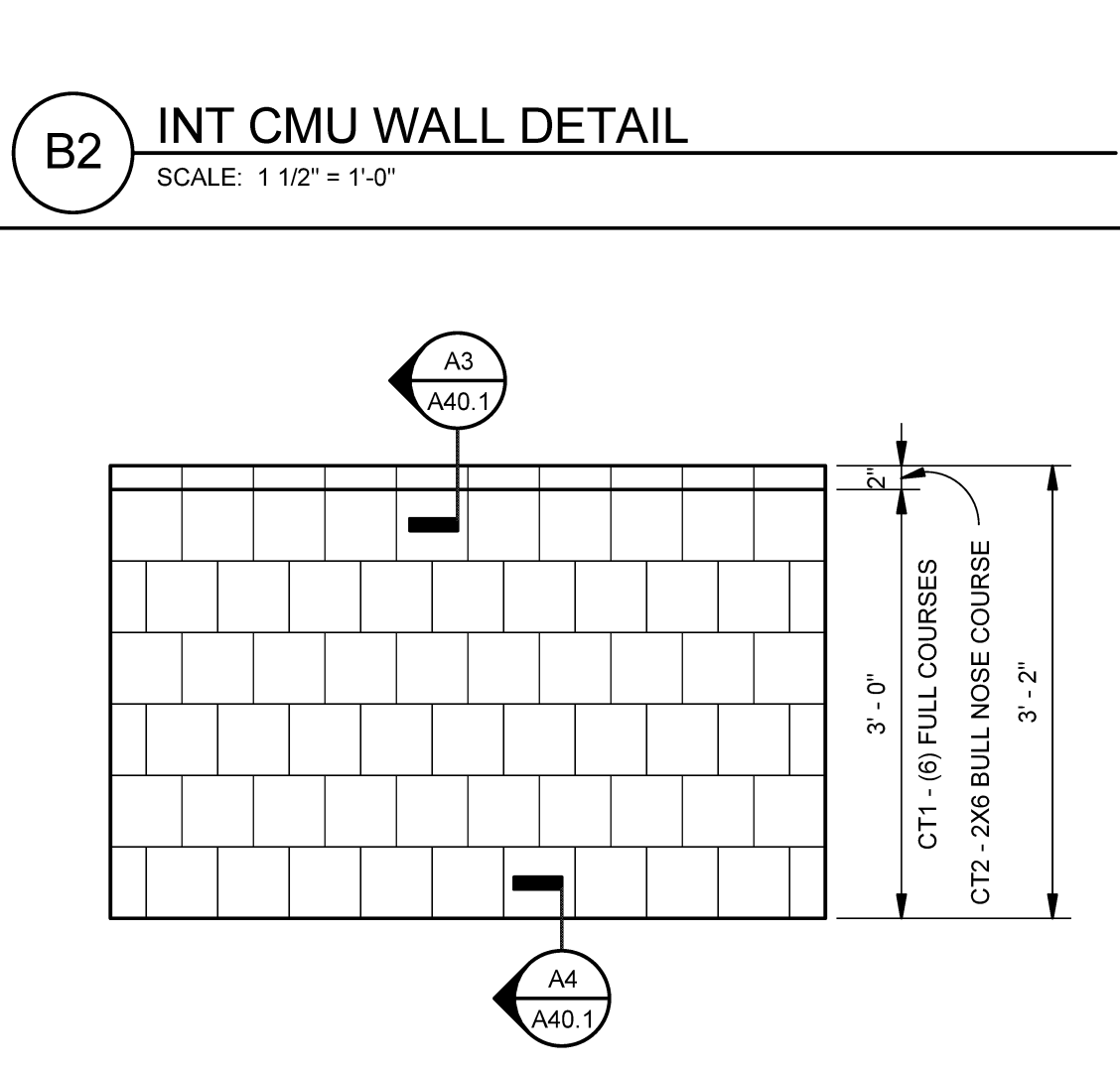
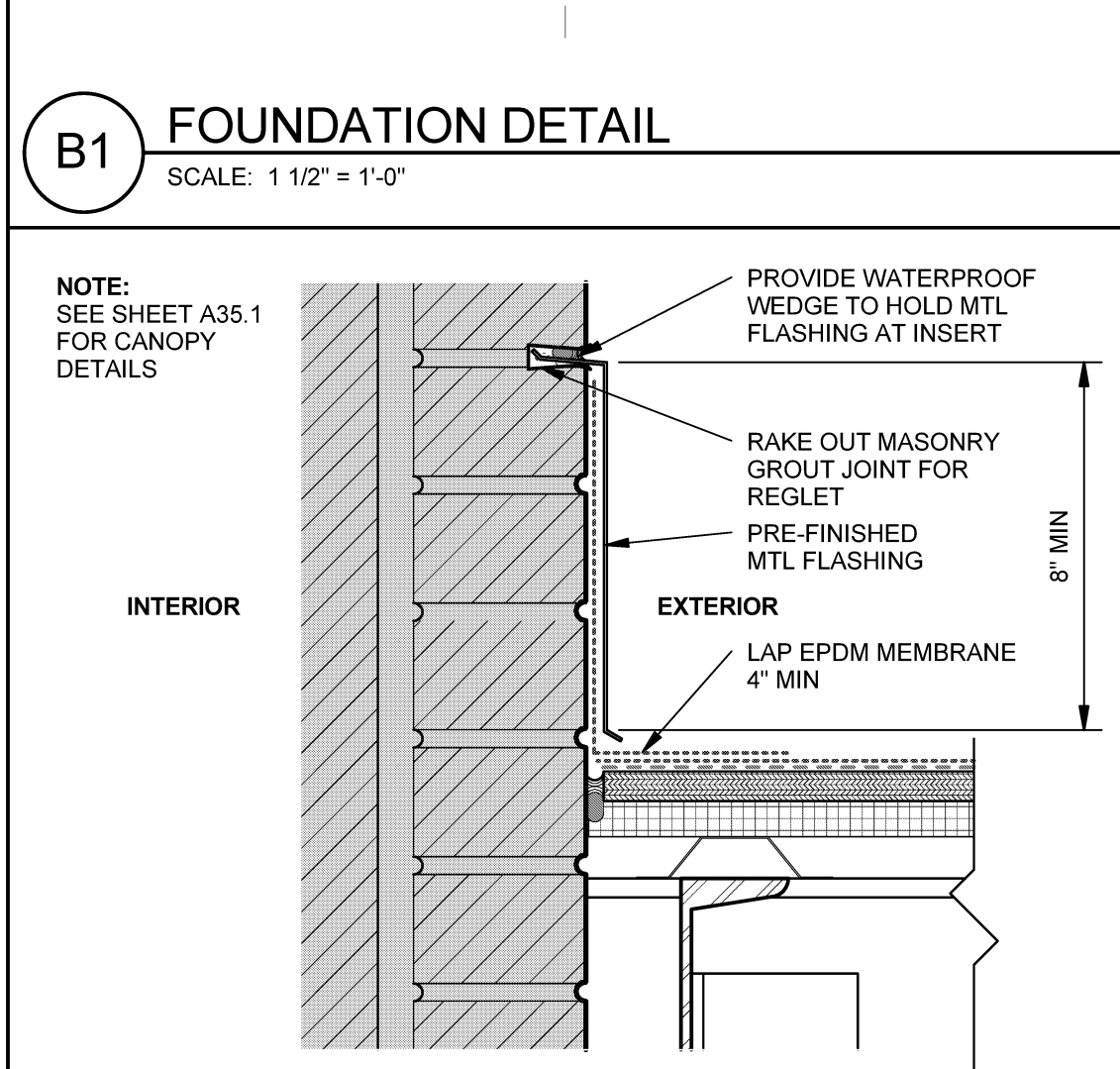
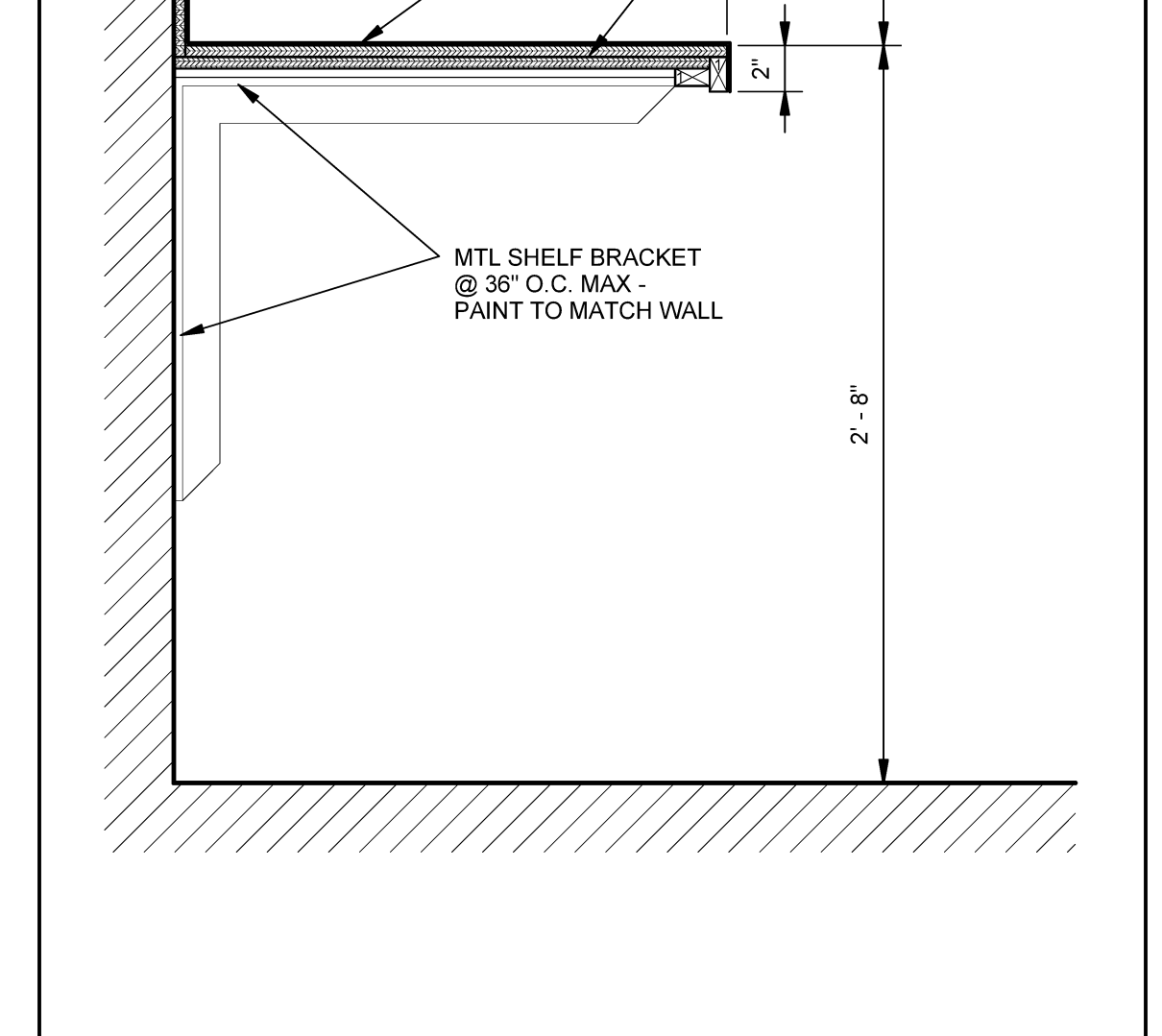
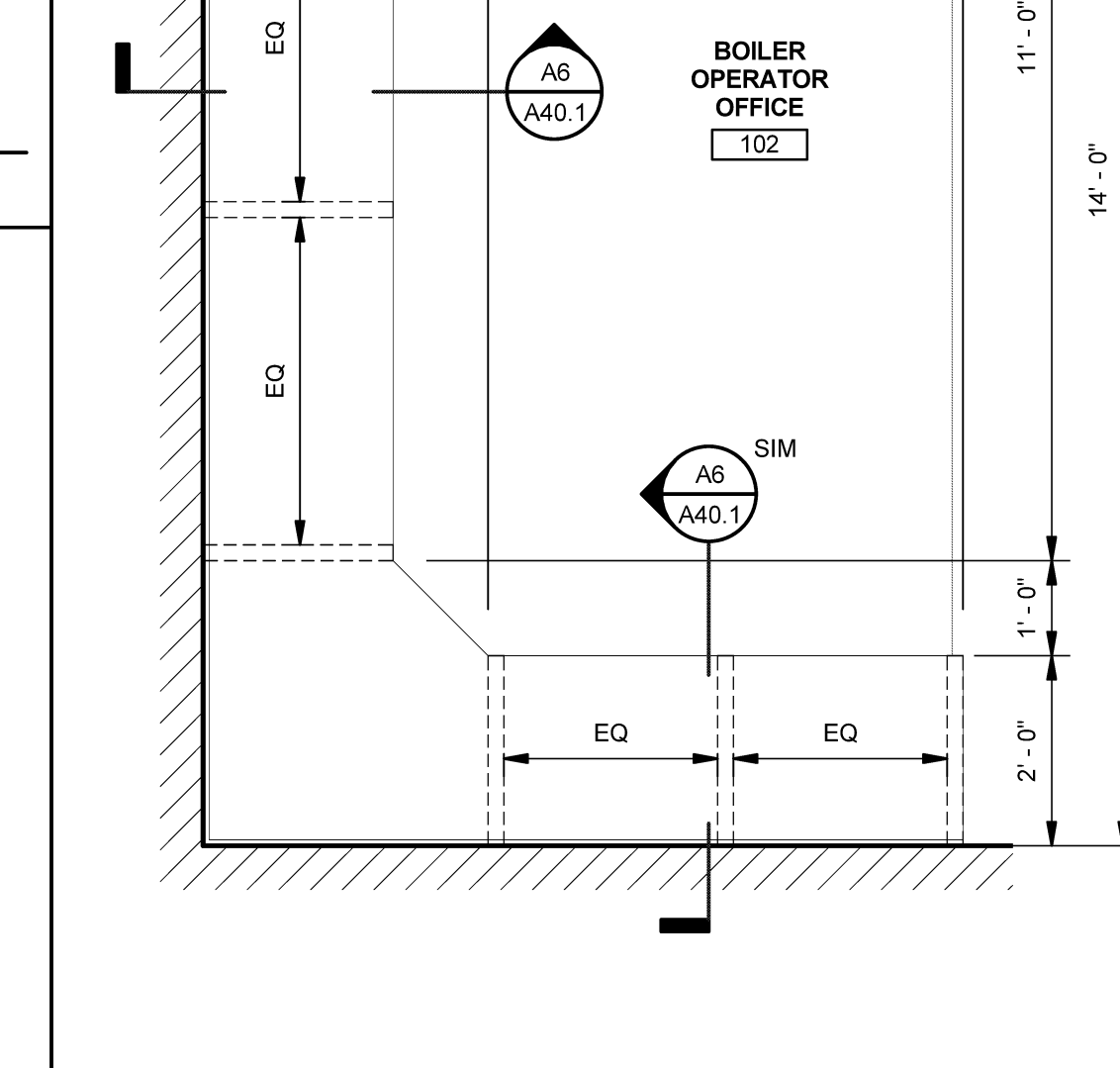
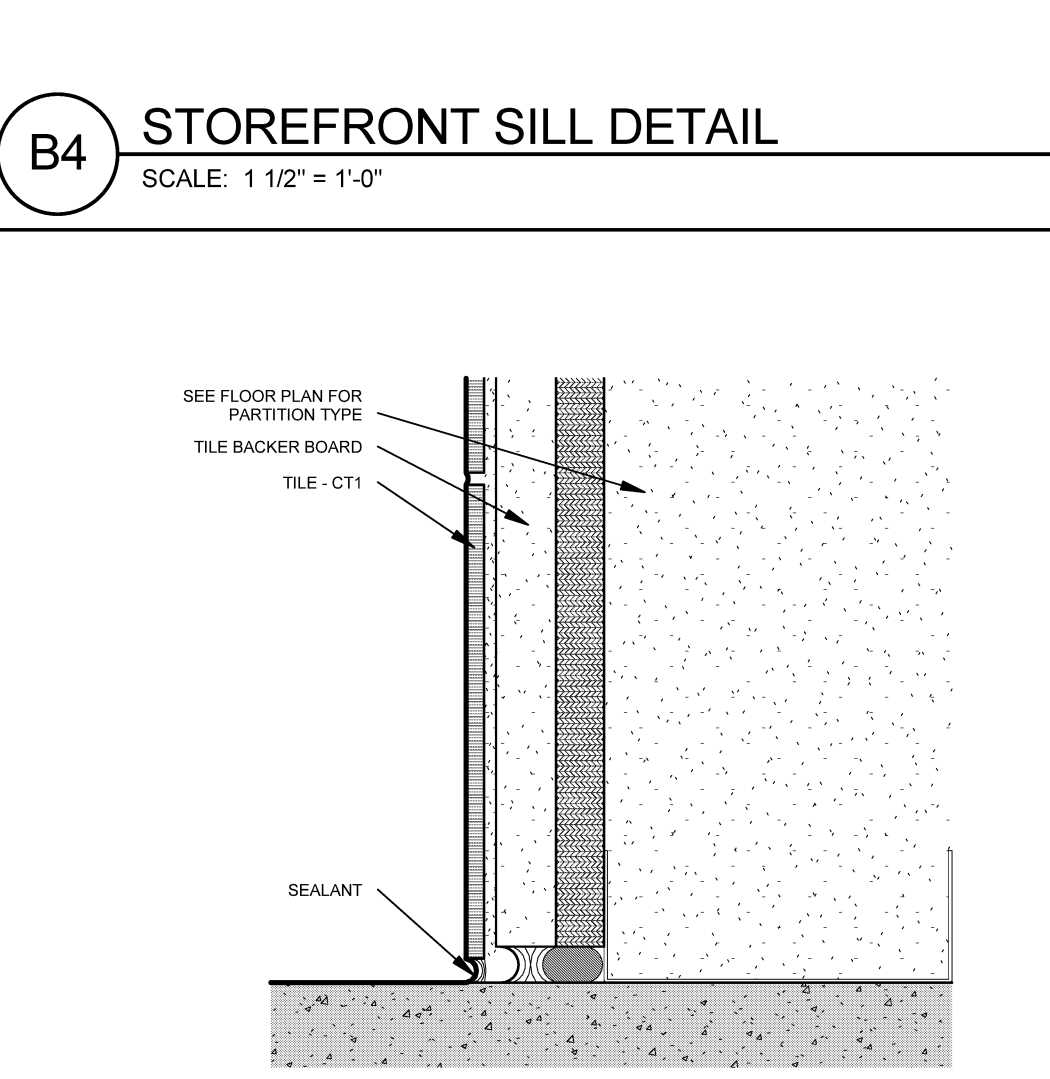
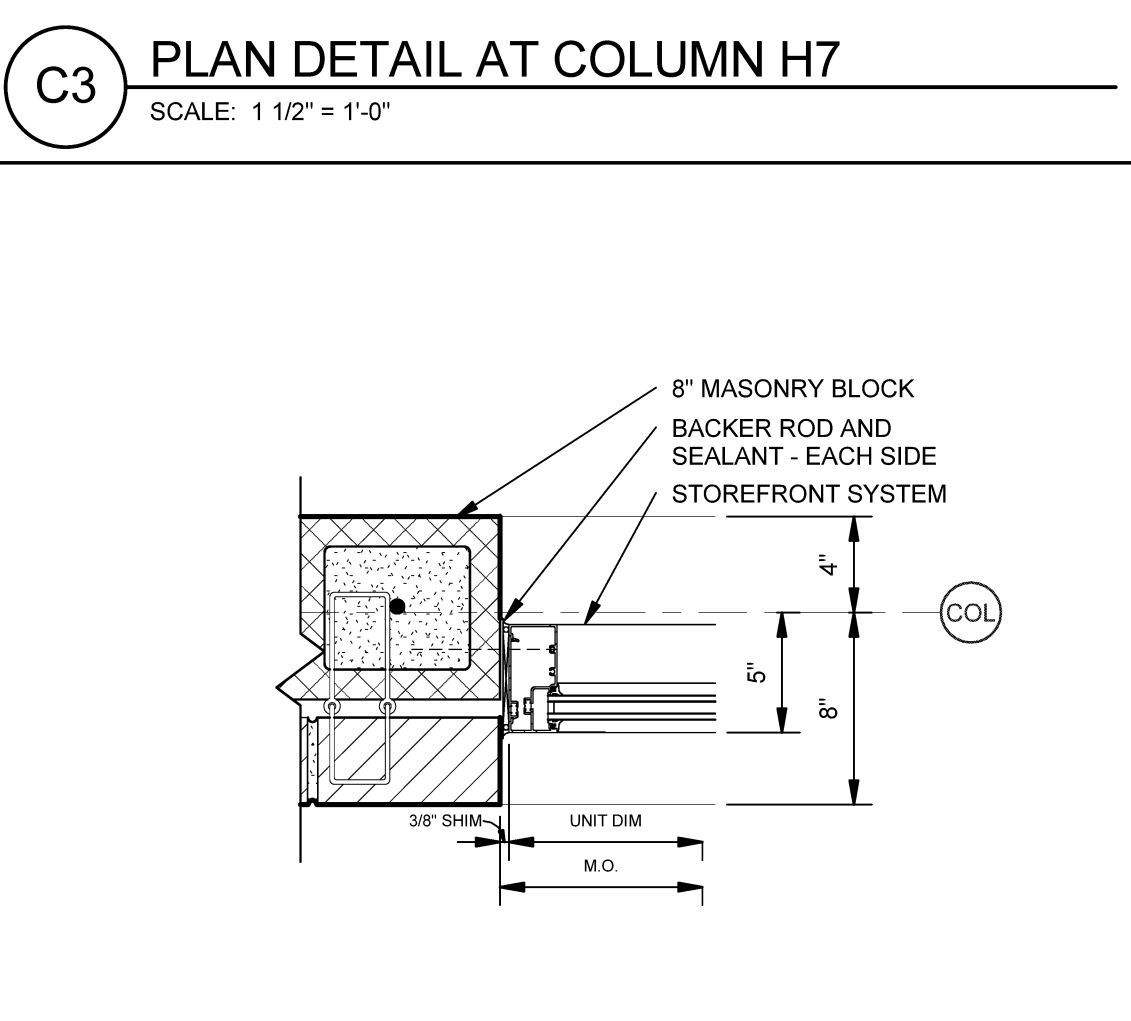
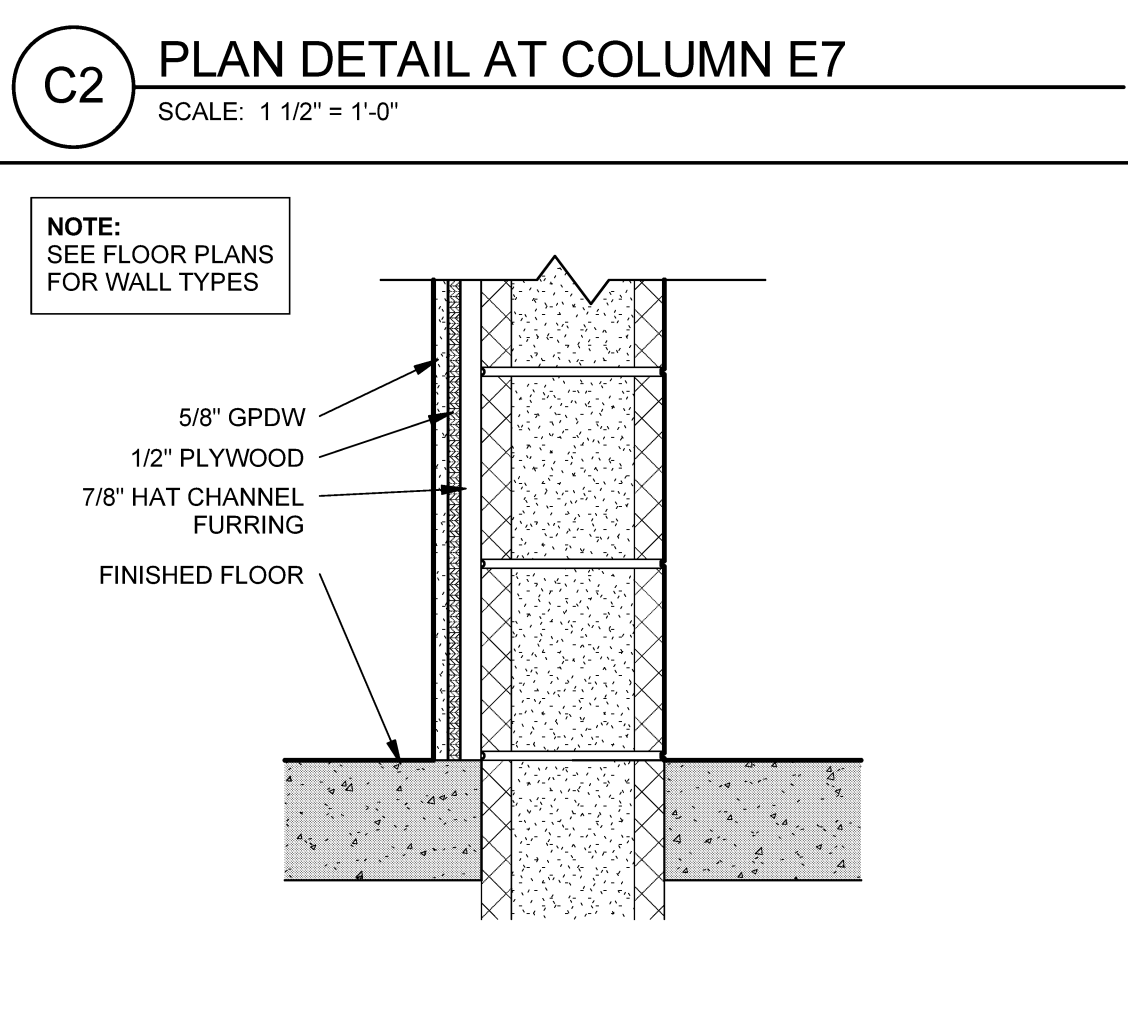
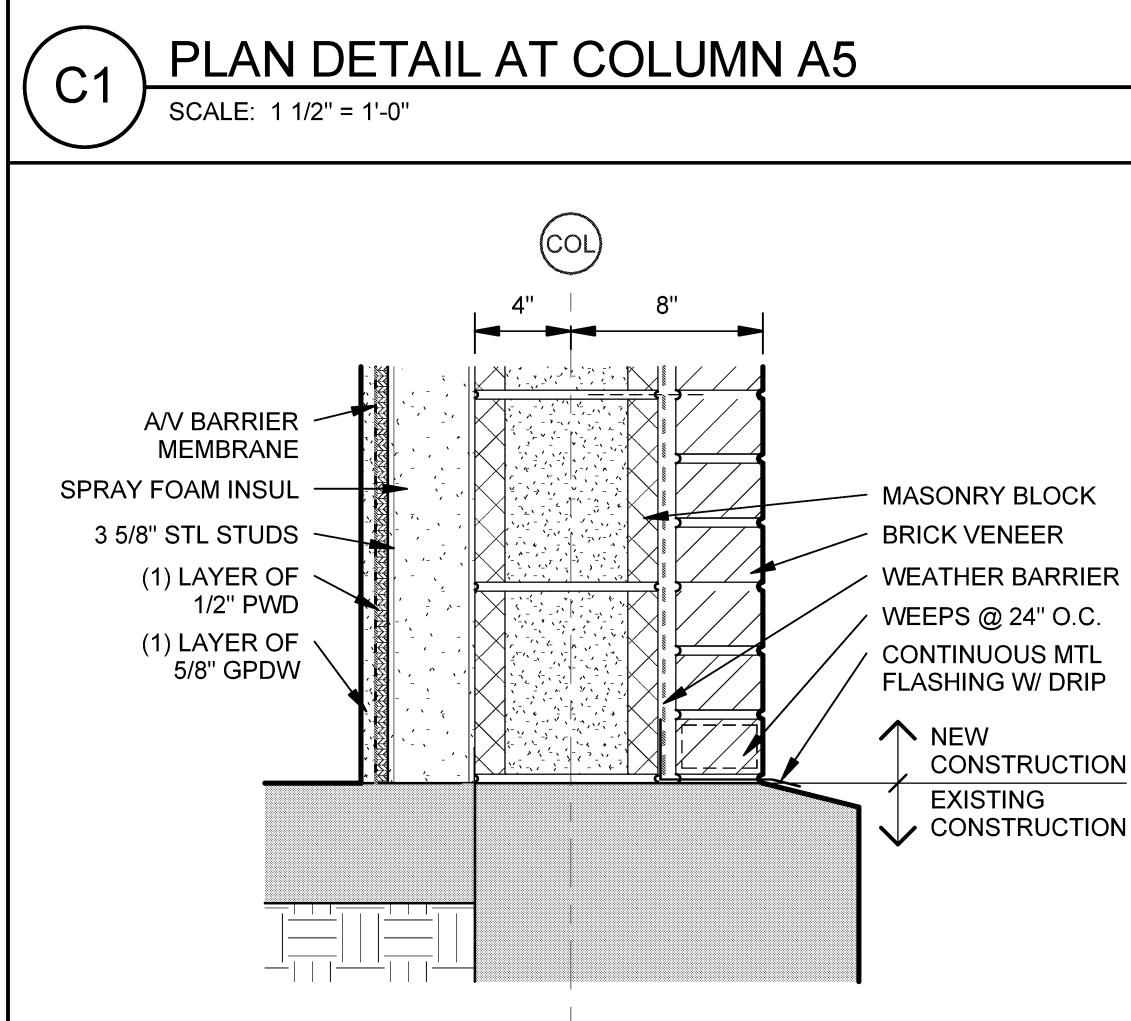
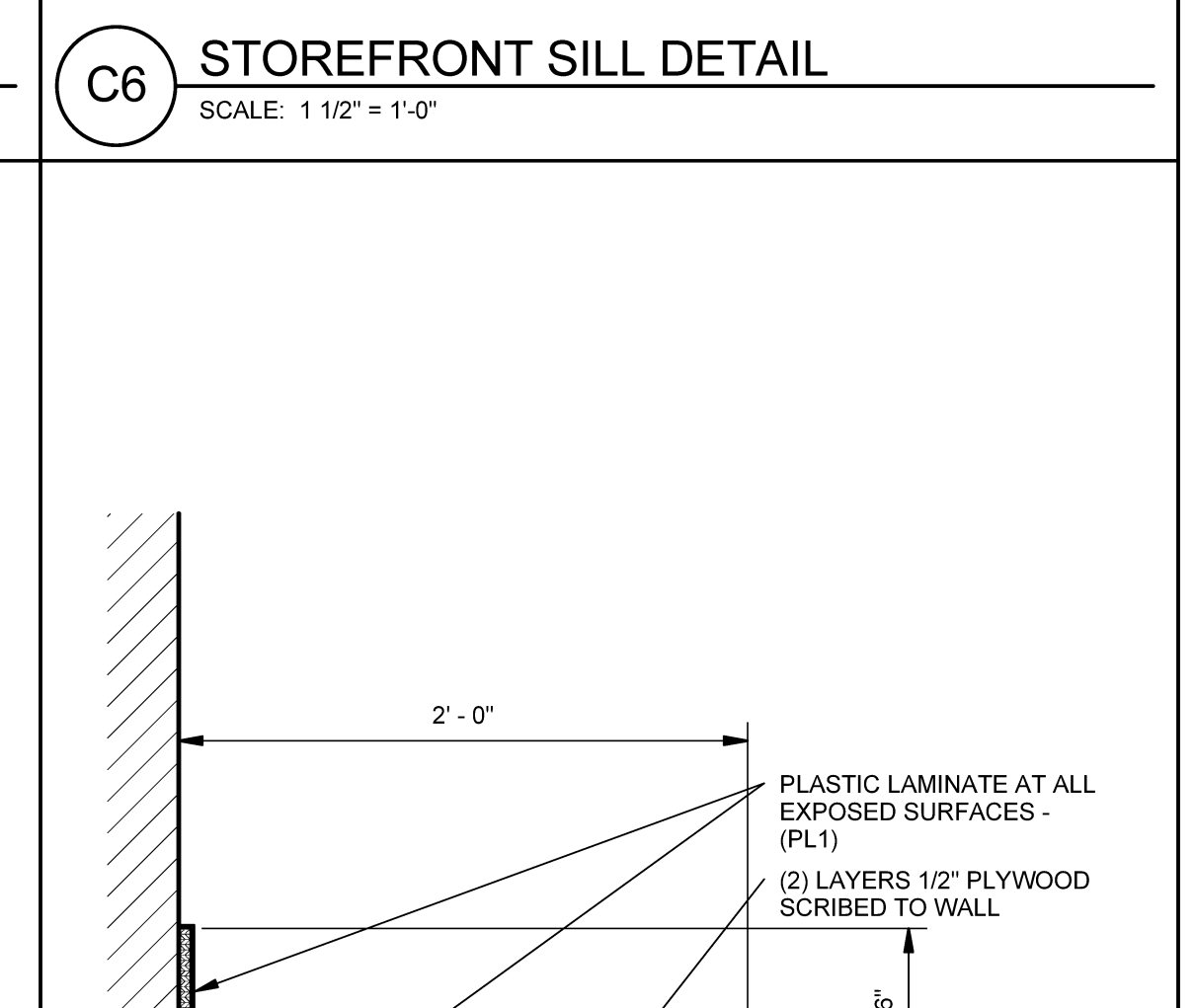
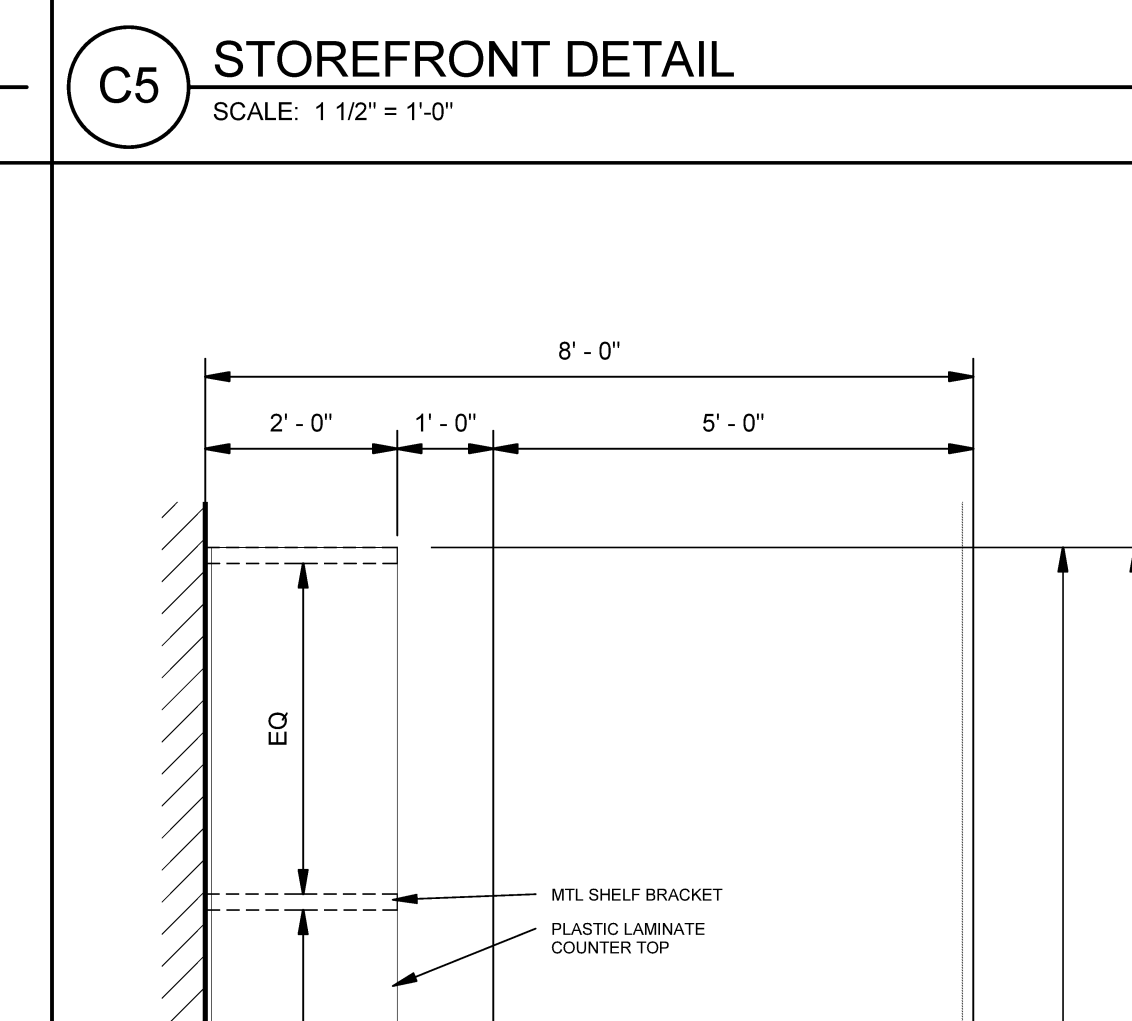
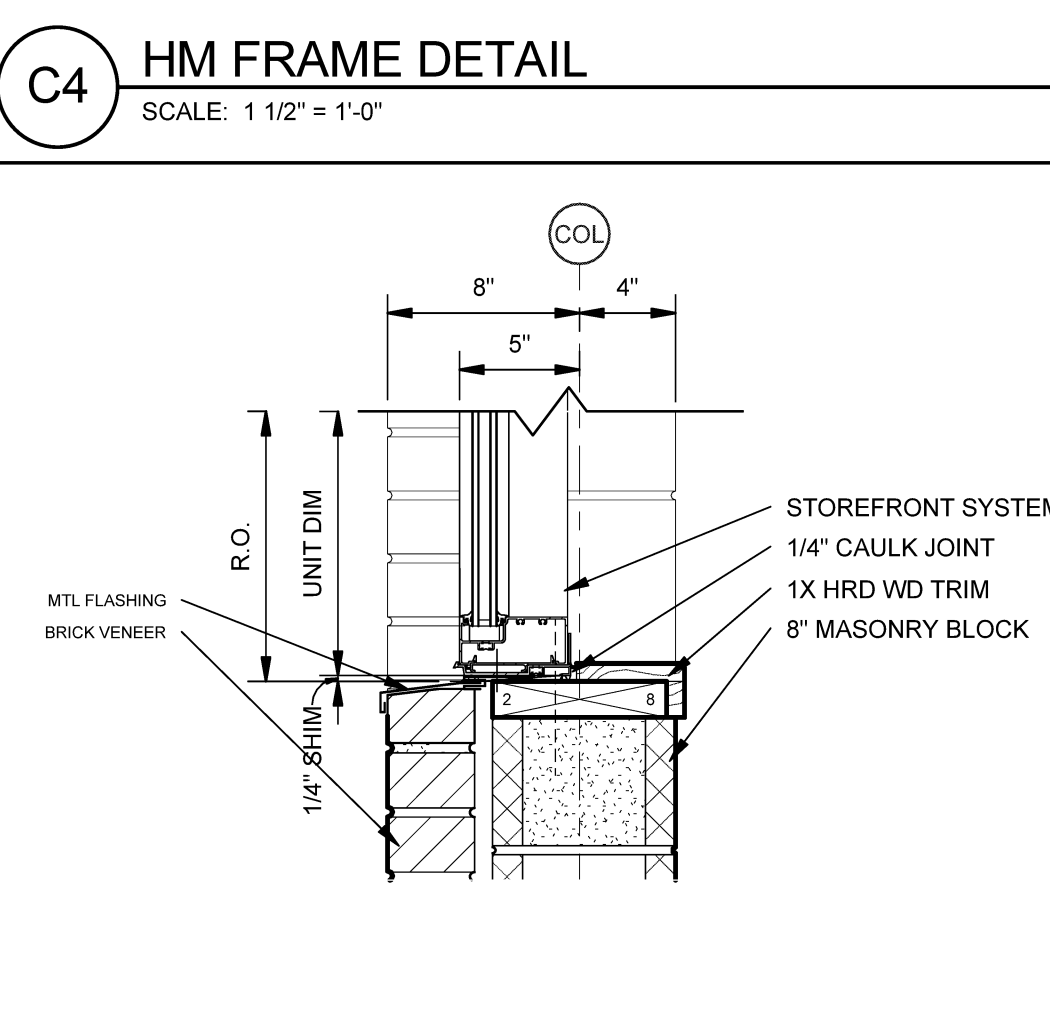
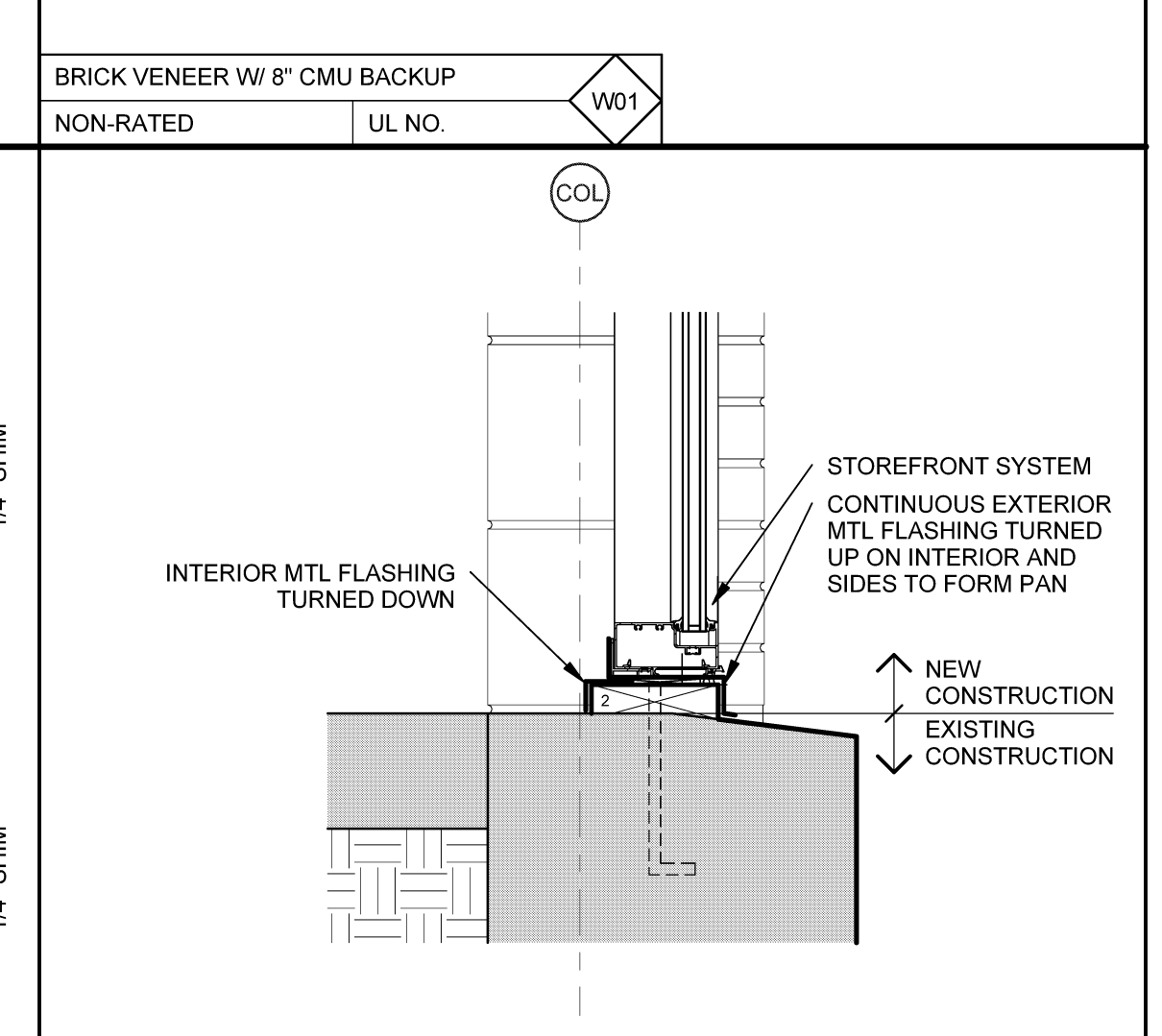
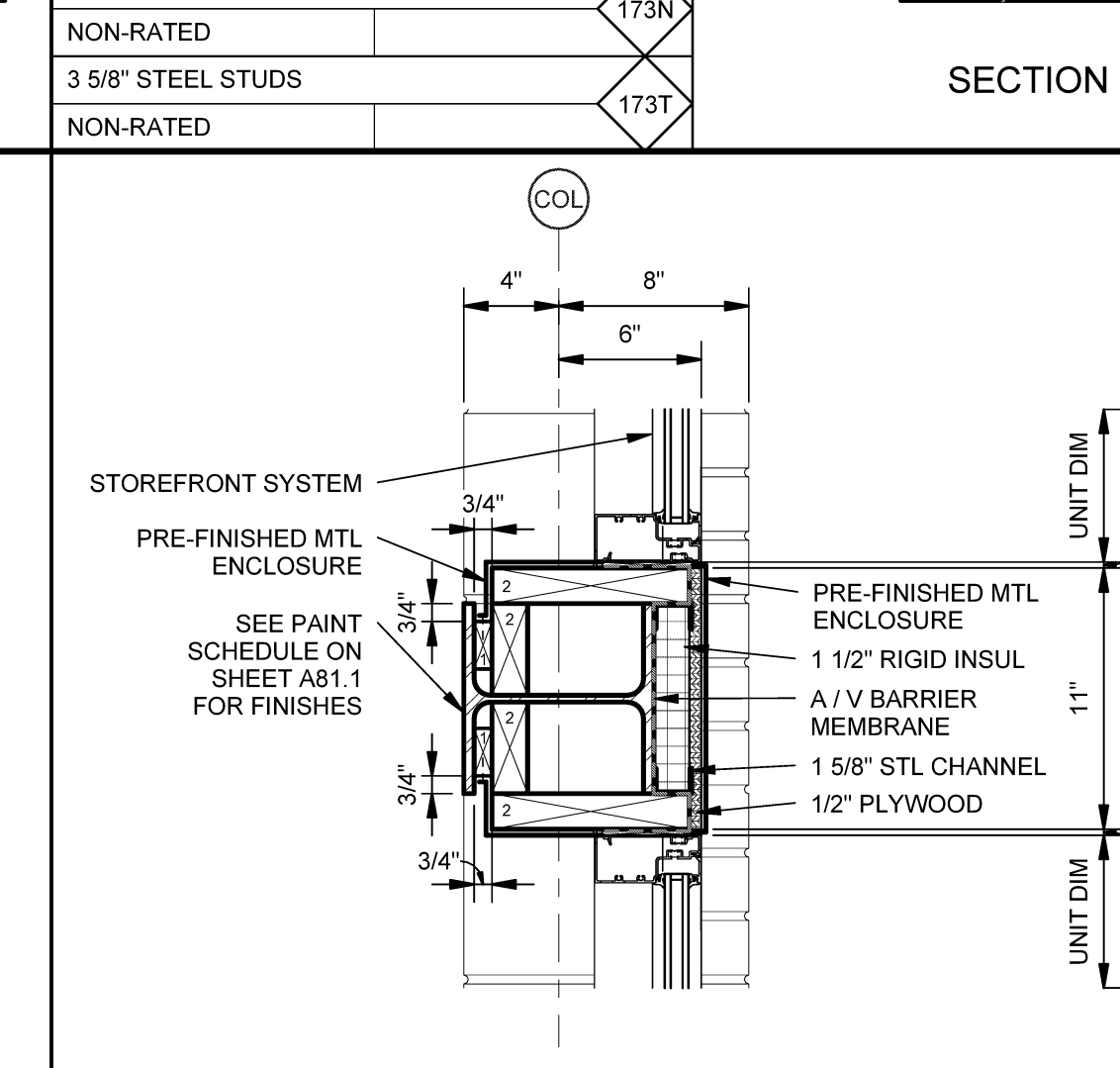
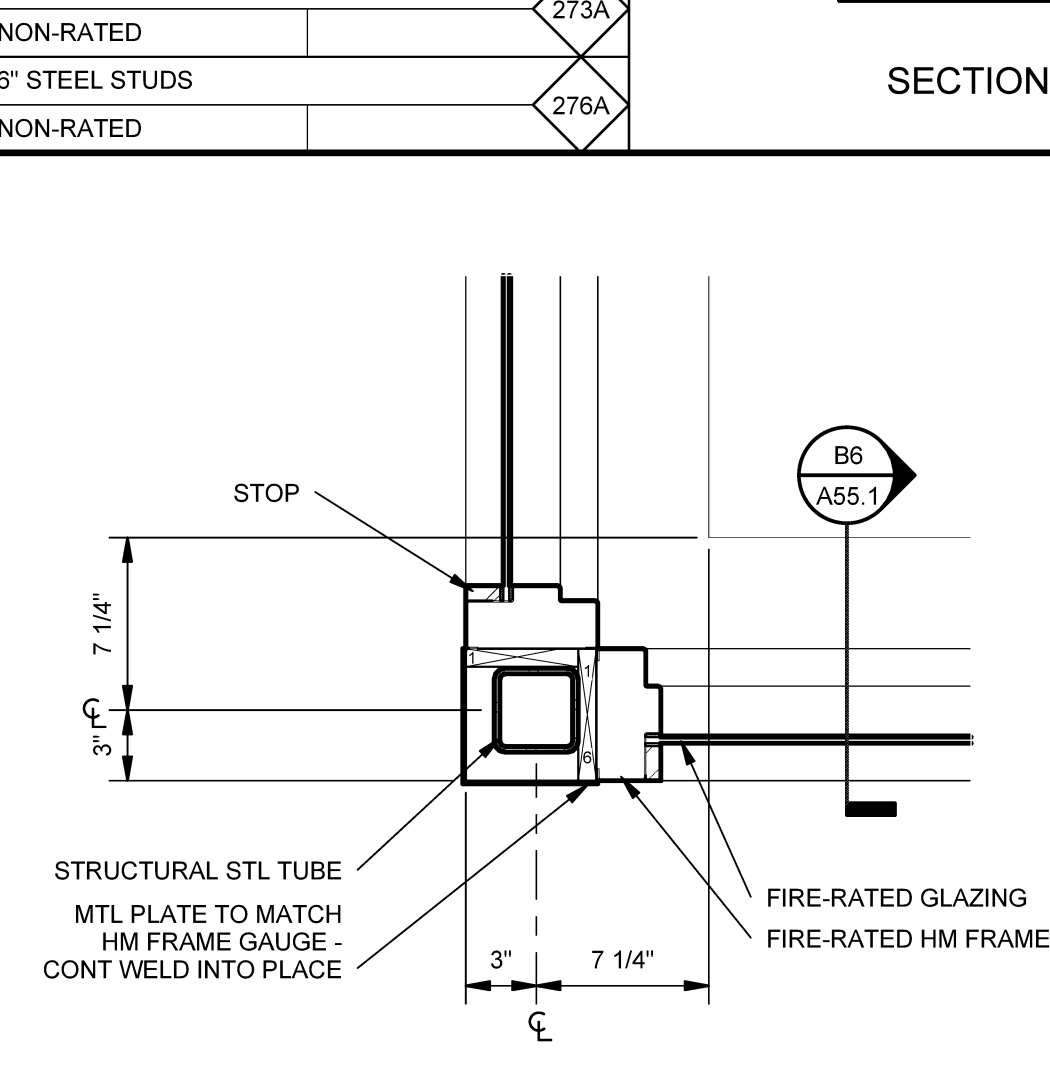
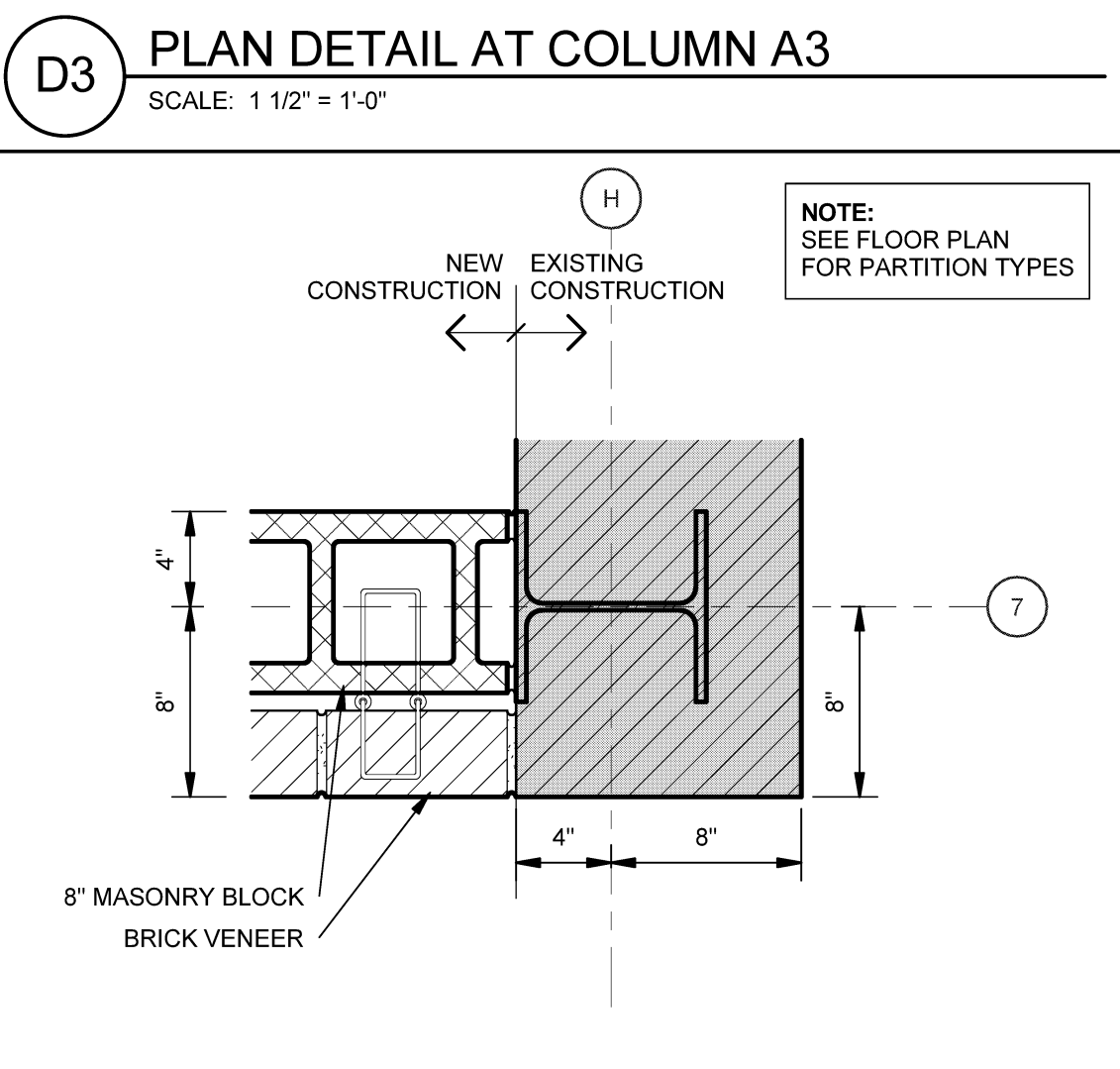
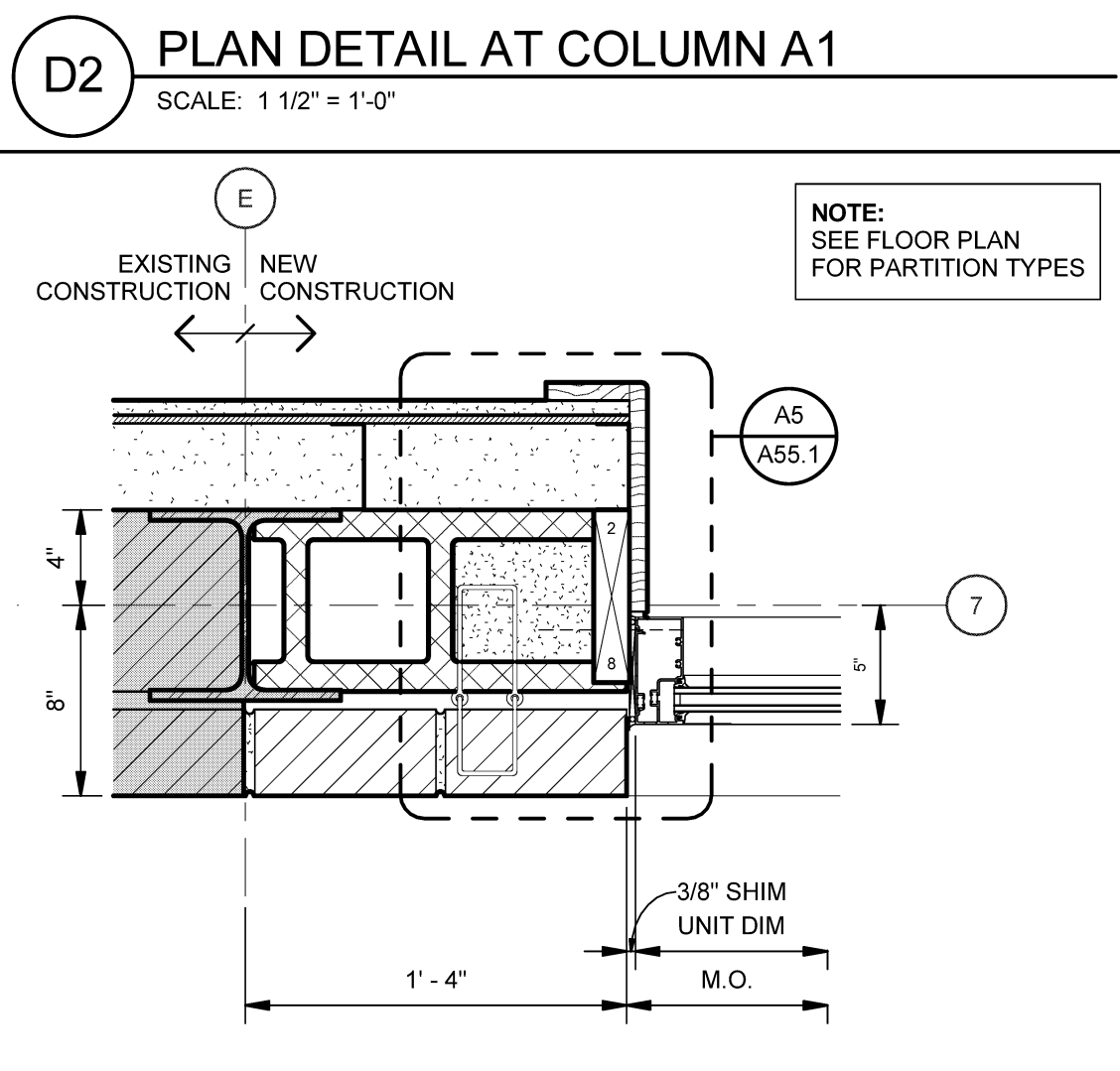
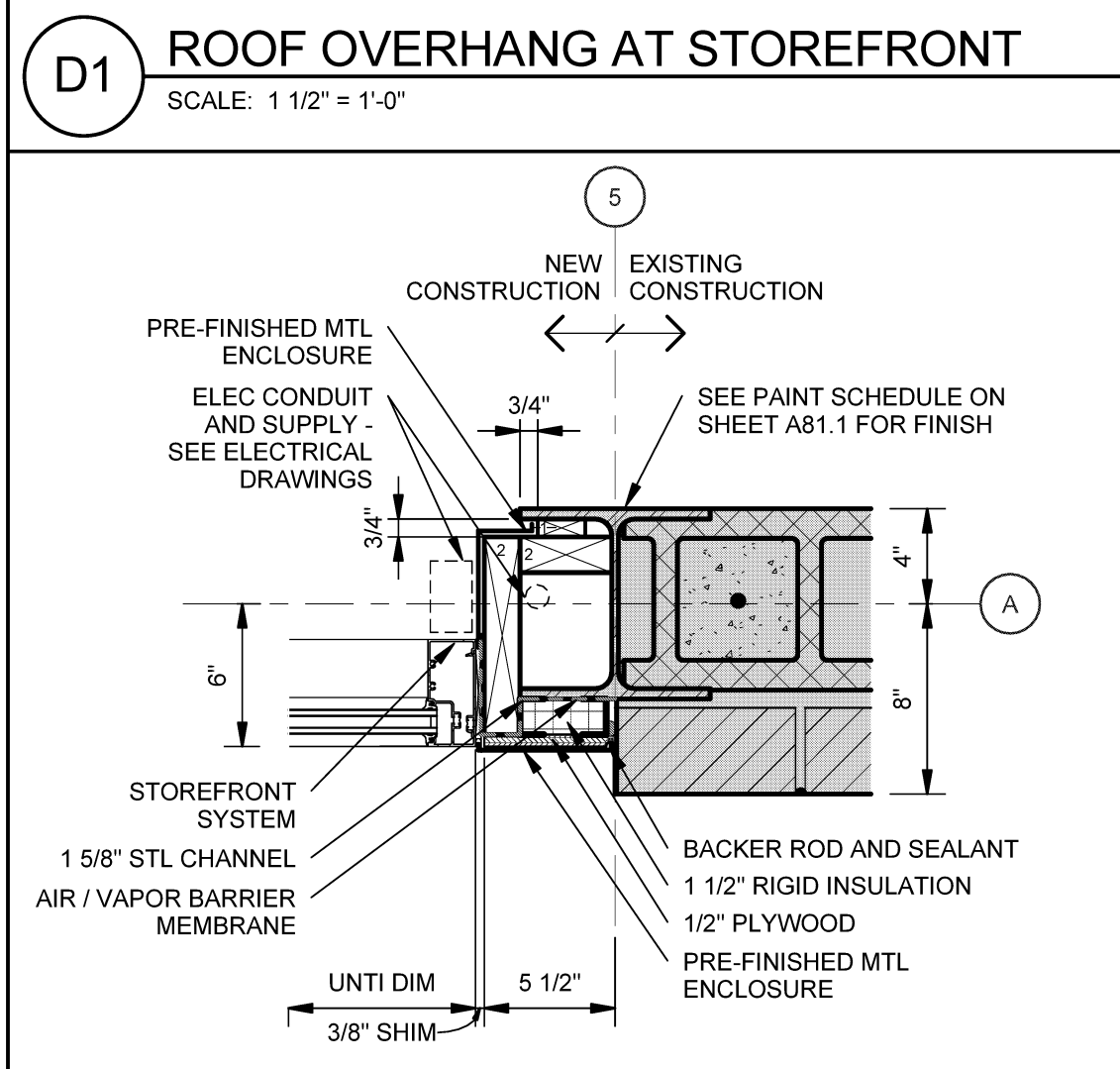
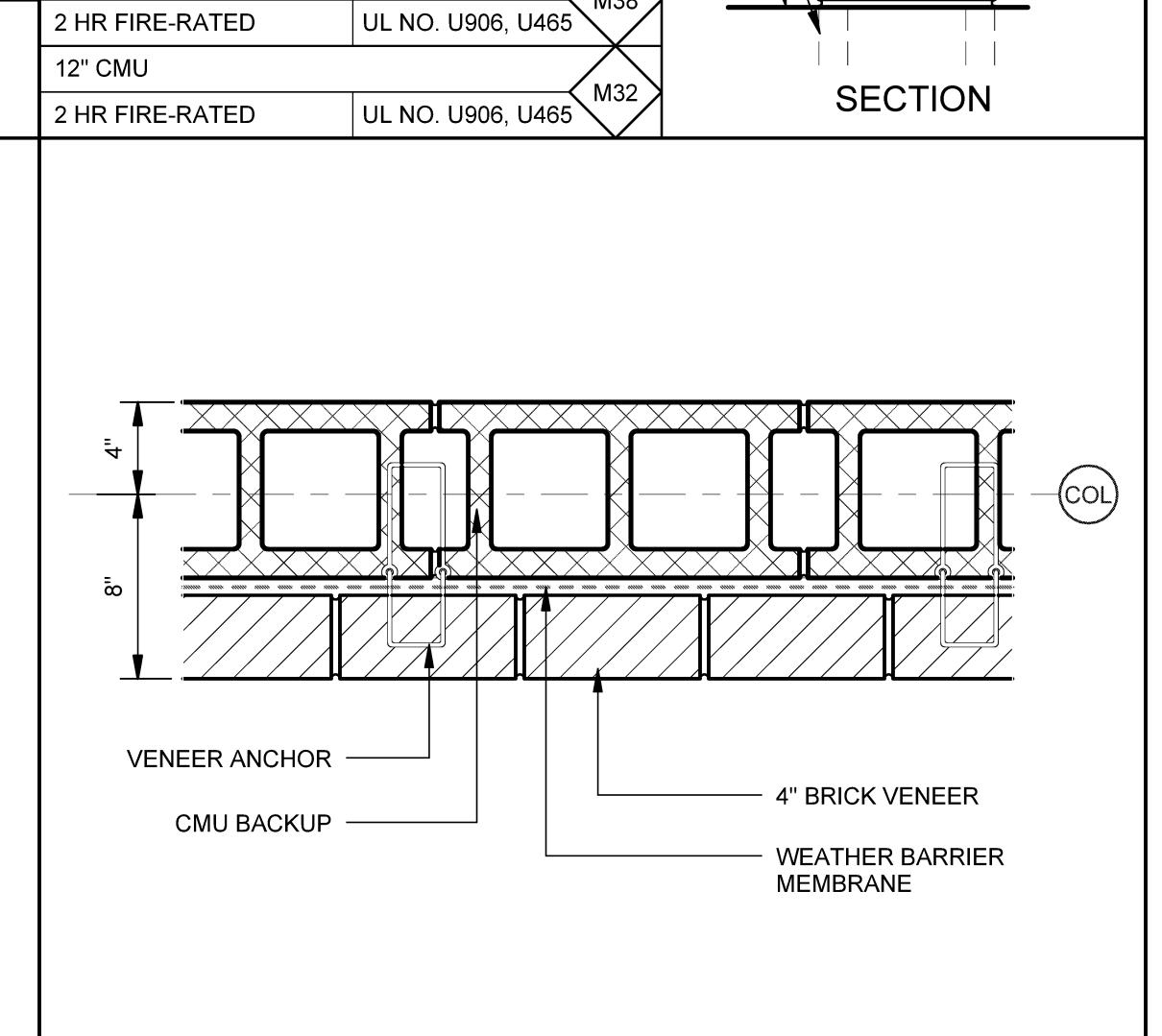
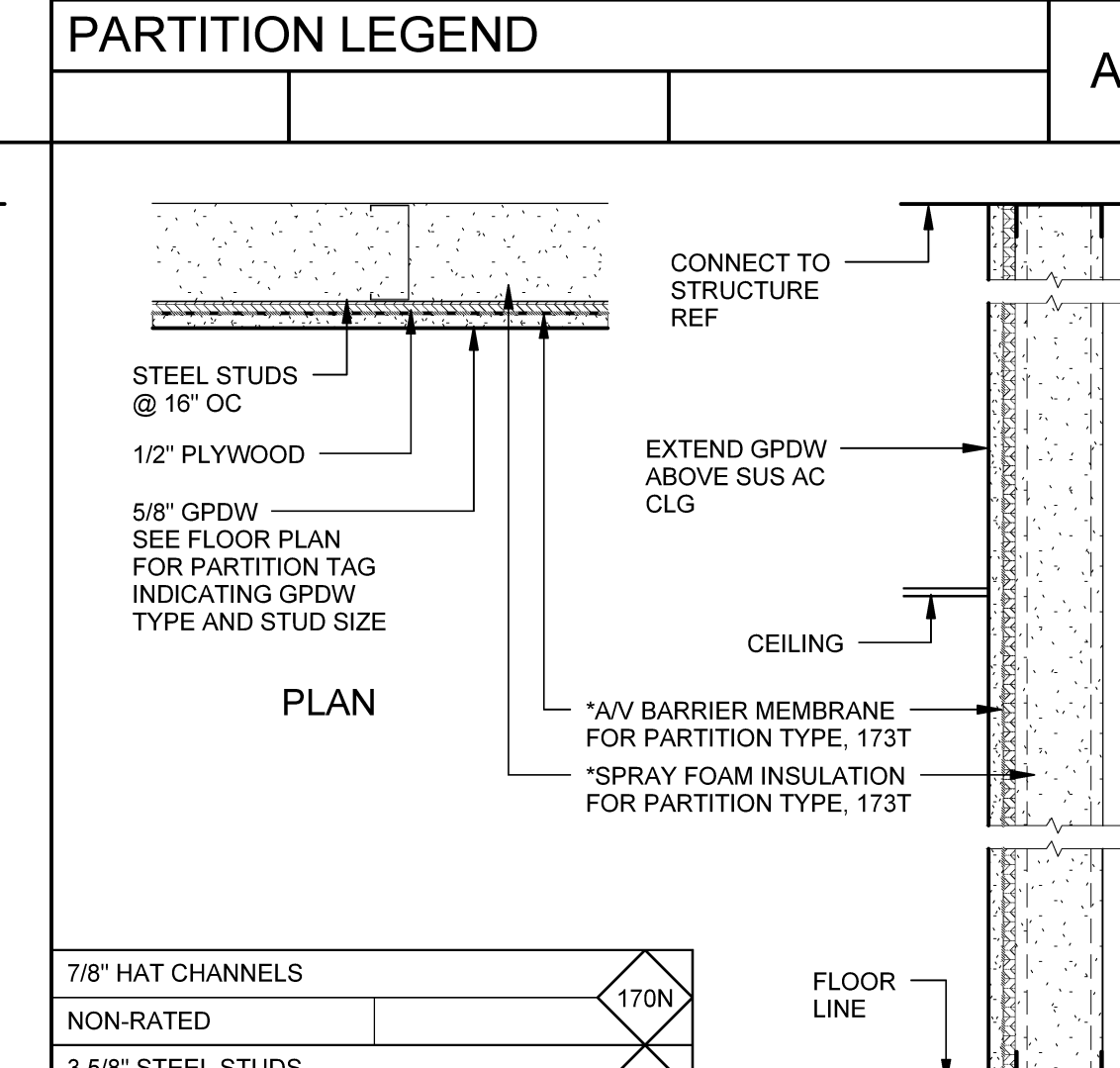
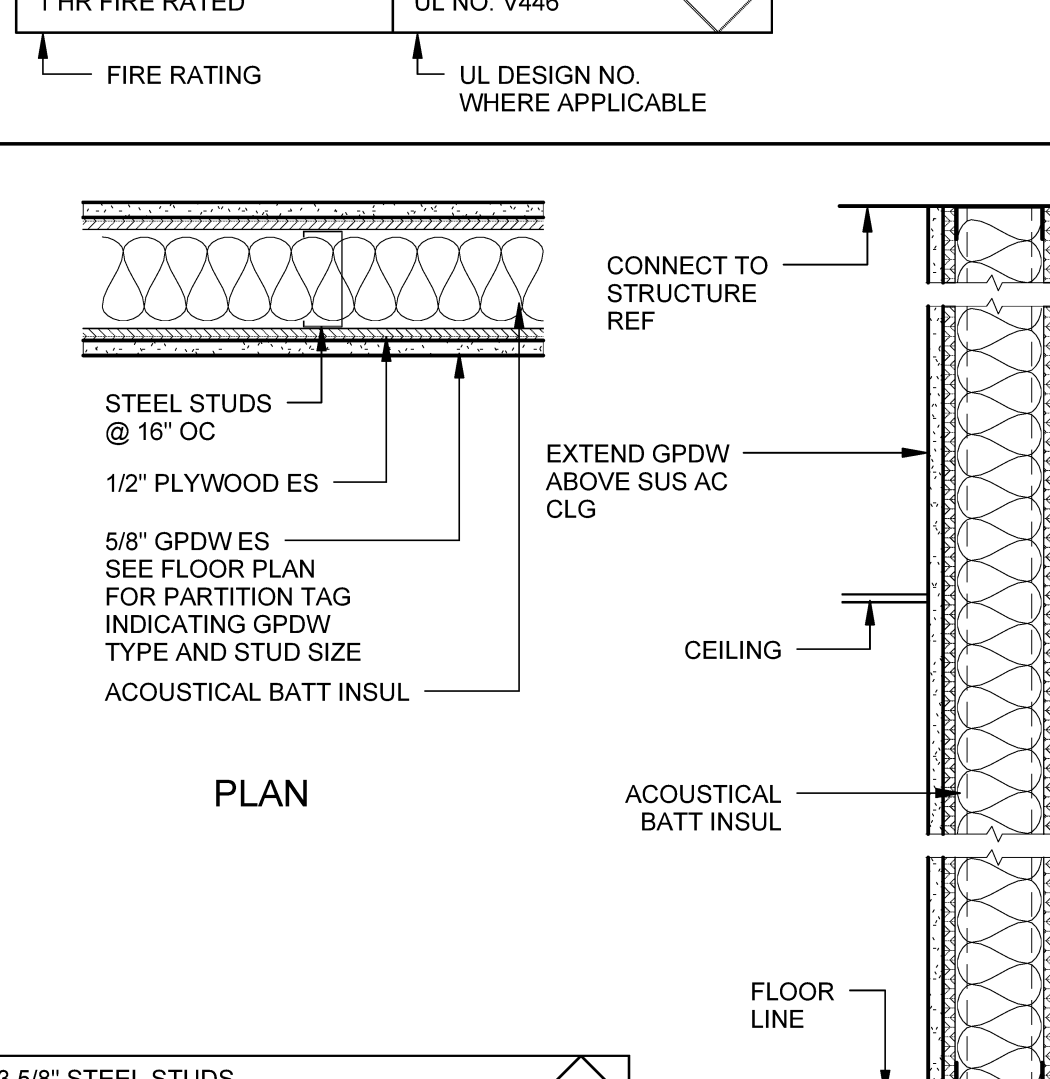
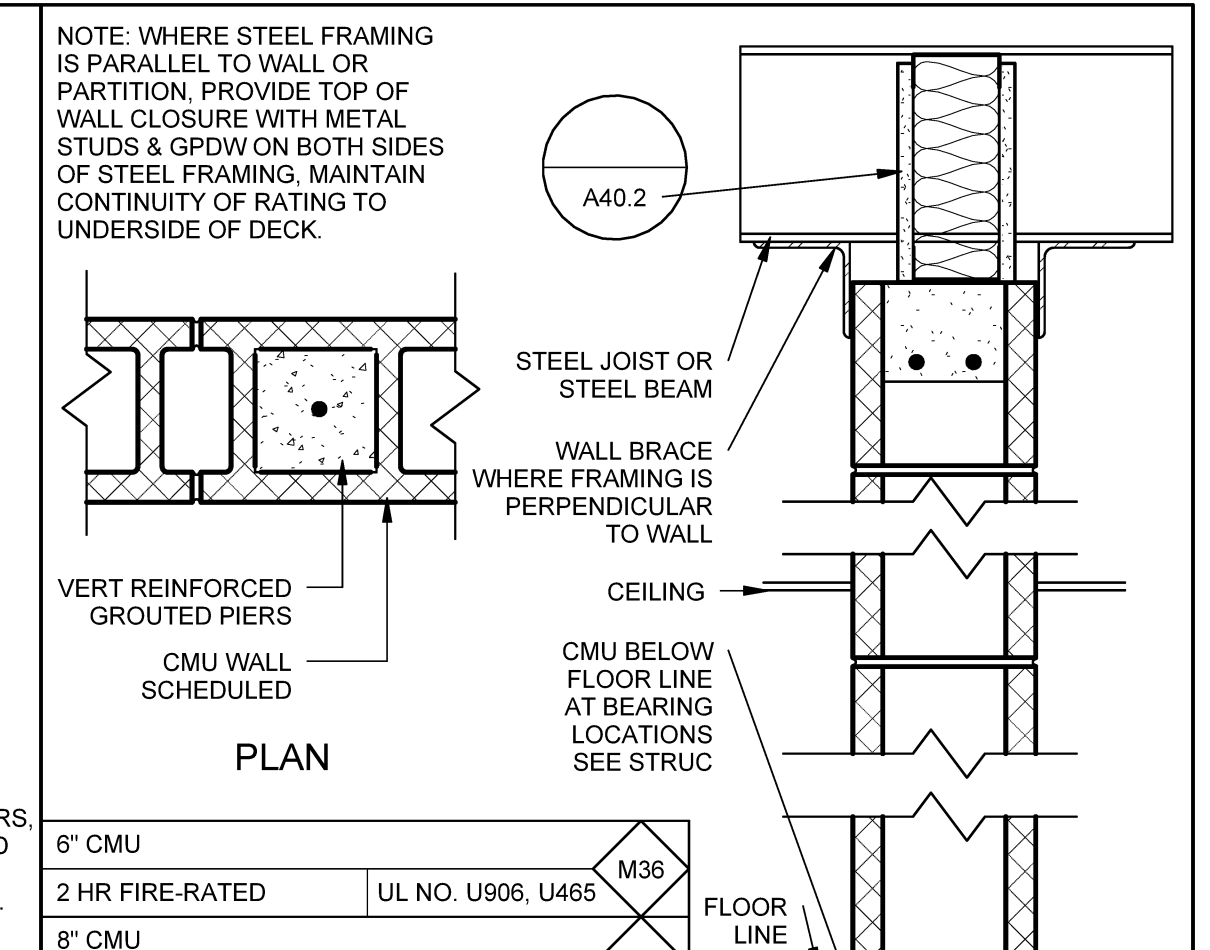


GENERAL NOTES

- SEE DETAIL A1/A40.2 FOR TYPICAL PARTITION CONNECTION DETAILS.
- SEE SECTIONS AND DETAILS FOR CONNECTIONS OTHER THAN THOSE SHOWN.
- IN TOILET ROOMS WITH GPDW WALLS, PROVIDE 5/8" MOLD RESISTANT GPDW IN LIEU OF GPDW ON ALL STUD PARTITIONS WITHIN THE ROOM. WHERE THE GPDW EXTENDS ABOVE THE TOILET ROOM CEILING, PROVIDE MOLD RESISTANT TO A MIN 8" ABOVE THE CEILING AND USE 5/8" GPDW TO THE TOP OF THE PARTITION.
- IN TOILET ROOMS WHERE GPDW CEILINGS ARE CALLED FOR, PROVIDE 5/8" MR GPDW ON STEEL STUD FRAMING.
- ALL GPDW TO BE TYPE-X GPDW.
- USE 20 ga STEEL STUDS IN PARTITIONS WITH ABUSE RESISTANT GPDW, TILE BACKER BOARD AND STC RATED WALLS.
- ALL FIRE-RATED PARTITIONS SHALL BE STENCILED ON THE WALL SURFACE JUST ABOVE THE CEILING LINE INDICATING THE PARTITIONS FIRE-RATING: "1 HR", "2 HR", ETC IN RED OR ORANGE PAINT ON EACH SIDE OF THE PARTITION. SMOKE PARTITIONS "SMOKE" IN GREEN PAINT.
- ALL PARTITIONS EXTEND TO UNDERSIDE OF FLOOR OR FLOOR DECK. SEAL ALL PARTITIONS TO DECK FOR SMOKE & SOUND CONTROL. FILL ALL VOIDS BETWEEN TOP OF PARTITION AND DECK AS SPECIFIED AND DETAILED ON A1/A40.2.

- WHERE GPDW & STUD PARTITIONS INTERSECT BEAMS OR JOIST, FRAME AROUND BOTH SIDES OF BEAMS & JOIST WITH METAL STUDS AND GPDW TO MAINTAIN CONTINUITY OF PARTITION TO UNDERSIDE OF DECK.
- WHERE CMU WALLS, RATED AND NON-RATED, INTERSECT BEAMS OR JOISTS, FRAME AROUND BOTH SIDES OF BEAMS OR JOIST WITH METAL STUDS AND GPDW TO MAINTAIN CONTINUITY OF PARTITION TO UNDERSIDE OF DECK.
- TOP OF PARTITION CLOSURE DETAILS SHOWN ARE TYPICAL. ACTUAL FIELD CONDITIONS MAY VARY. CONTRACTOR IS RESPONSIBLE FOR FIELD VERIFYING ACTUAL CONDITIONS AND MODIFYING CLOSURE DETAILS TO MEET ACTUAL CONDITIONS AND MAINTAINING CONTINUITY OF PARTITIONS FROM FLOOR TO DECK ABOVE.
- ALL PARTITIONS TYPES SHOWN MAY NOT BE APPLICABLE TO THIS PROJECT.
- WHERE 5/8" ABUSE RESISTANT GPDW IS NOTED, EXTEND UP TO 8" ABOVE CEILING THEN USE 5/8" GPDW UP TO DECK AND SEAL TIGHT.
- PROVIDE 5/8" MOLD RESISTANT GPDW FROM FLOOR TO ROOF OR FLOOR DECK ABOVE ON INSIDE FACE OF EXTERIOR WALLS.
- PROVIDE 3/8" ACOUSTICAL SEALANT JOINT WITH CASING BEAD AROUND PERIMETER OF GPDW ASSEMBLIES WHEN ABUTTING DISSIMILAR MATERIALS. UNLESS NOTED OR DETAILED ELSEWHERE IN THIS SET.
- AT PARTITIONS WHERE 5/8" ABUSE RESISTANT GPDW IS NOTED SUCH AS IN CORRIDORS, STAIRS, HALLS, LOBBIES AND STORAGE ROOMS, THE INTENT IS FOR THE ABUSE BOARD TO BE ON THE TRAFFIC SIDE OF THE ROOM. THE ROOM SIDE OF THE PARTITION PROVIDE 5/8" GPDW OR 5/8" MOISTURE GPDW AS NOTED ELSEWHERE IN THESE NOTES.



PARTITION TAG KEY

1-4 INDICATES TOTAL NUMBER OF GPDW LAYERS

5-9 INDICATES SPECIAL PARTITION TYPE

SIZE OF STEEL STUD
0 = 7/8"
1 = 1 5/8"
2 = 2 1/2"
3 = 3 5/8"
6 = 6"
8 = 8"

INDICATES PARTITION HAS BATT INSULATION
A = SOUND ATTENUATING BATTS
T = THERMAL BATTS
N = NO INSULATION
R = SOUND BATTS AND RESILIENT CHANNELS

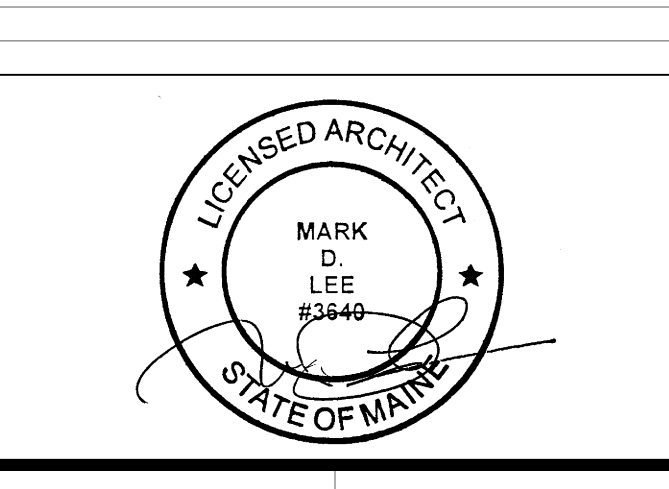
TYPE OF GYPSUM DRYWALL
1 = GPDW FULL HEIGHT ES
(NOT USED) 2 = ABUSE RESISTANT GPDW FULL HEIGHT ES
3 = CEMENT SID W GPDW FULL HEIGHT
4 = FIRE RATED GPDW FULL HEIGHT ES
5 = GPDW W RESILIENT CHANNELS FULL HEIGHT
(NOT USED) 6 = IMPACT FIRE GPDW FULL HEIGHT ES
7 = GPDW VARYING HEIGHT ES
(NOT USED) 8 = ABUSE RESISTANT GPDW VARYING HGT ES
(NOT USED) 9 = IMPACT RESISTANT GPDW VARYING HGT ES

PARTITION TAG KEY GENERAL NOTES

- NOT ALL PARTITION TAGS SHOWN TO THE LEFT ARE USED ON THIS PROJECT. VERIFICATION OF PARTITIONS TAGS USED MUST BE MADE FROM THE FLOOR PLANS THEN REFERENCED HERE FOR EXACT MATERIALS USED.
- SEE GENERAL NOTE #16 IN DETAIL A7/A40.1 FOR FURTHER INSTRUCTIONS REGARDING THE USE OF ABUSE RESISTANT GPDW.

Issues and Revisions

Mark	Date	Description
08-25-14		REVISED SCHEMATIC DESIGN
09-05-14		DESIGN DEVELOPMENT
09-10-14		PROGRESS REVIEW
09-26-14		PROGRESS REVIEW
10-03-14		PROGRESS REVIEW
10-10-14		FINAL REVIEW
10-23-14		100% REVIEW
10-31-14		ISSUED FOR BID



Drawing Scales
As indicated

PA/PE: Designer
Drawn By: Author

© 2014
Harriman Associates

CONSTRUCTION SYSTEMS AND DETAILS

Plot Date: 10/30/2014 11:48:53 AM