



HARRIMAN

AUBURN PORTLAND MANCHESTER

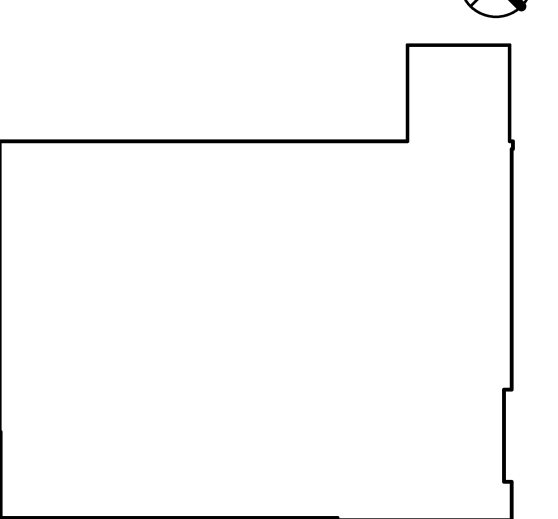
UNIVERSITY OF SOUTHERN MAINE CENTRAL HEAT PLANT UPGRADES

PORTLAND, ME

Harriman Project No. 14411

Key Plan

Proj North



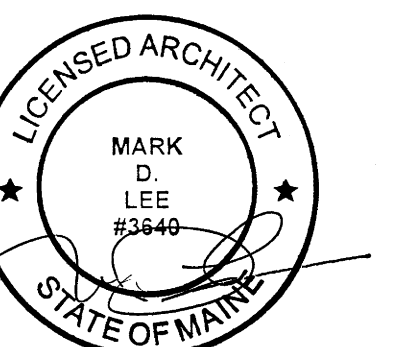
GENERAL NOTES

1. ALL DIMENSIONS ARE TAKEN FROM FACE OF MASONRY OR FACE OF GPDW U.N.O.
2. SEE MECHANICAL, ELECTRICAL AND PLUMBING DRAWINGS FOR EQUIPMENT PLACEMENT.
3. FILL ALL VOIDS IN CMU WALLS AT FASTENER REMOVALS.
4. ALL FLOORS EXISTING AND NEW ARE TO BE PAINTED WITH AN EPOXY FLOOR PAINT - SEE PAINT SCHEDULE, SHEET A81.1.

LEGEND

FD FLOOR DRAIN

Mark	Date	Description
	08-12-14	SCHEMATIC DESIGN
	08-25-14	REVISED SCHEMATIC DESIGN
	09-05-14	DESIGN DEVELOPMENT
	09-19-14	PROGRESS REVIEW
	09-26-14	PROGRESS REVIEW
	10-03-14	PROGRESS REVIEW
	10-10-14	FINAL REVIEW
	10-23-14	100% REVIEW
	10-31-14	ISSUED FOR BID



Drawing Scales

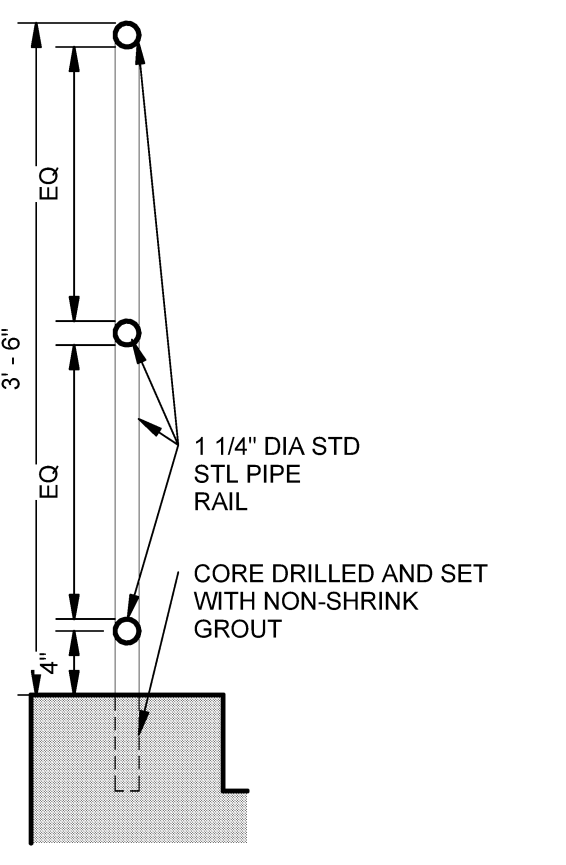
As indicated

PA/PE: MDL © 2014 Harriman Associates
Drawn By: JSL

FIRST FLOOR PLAN

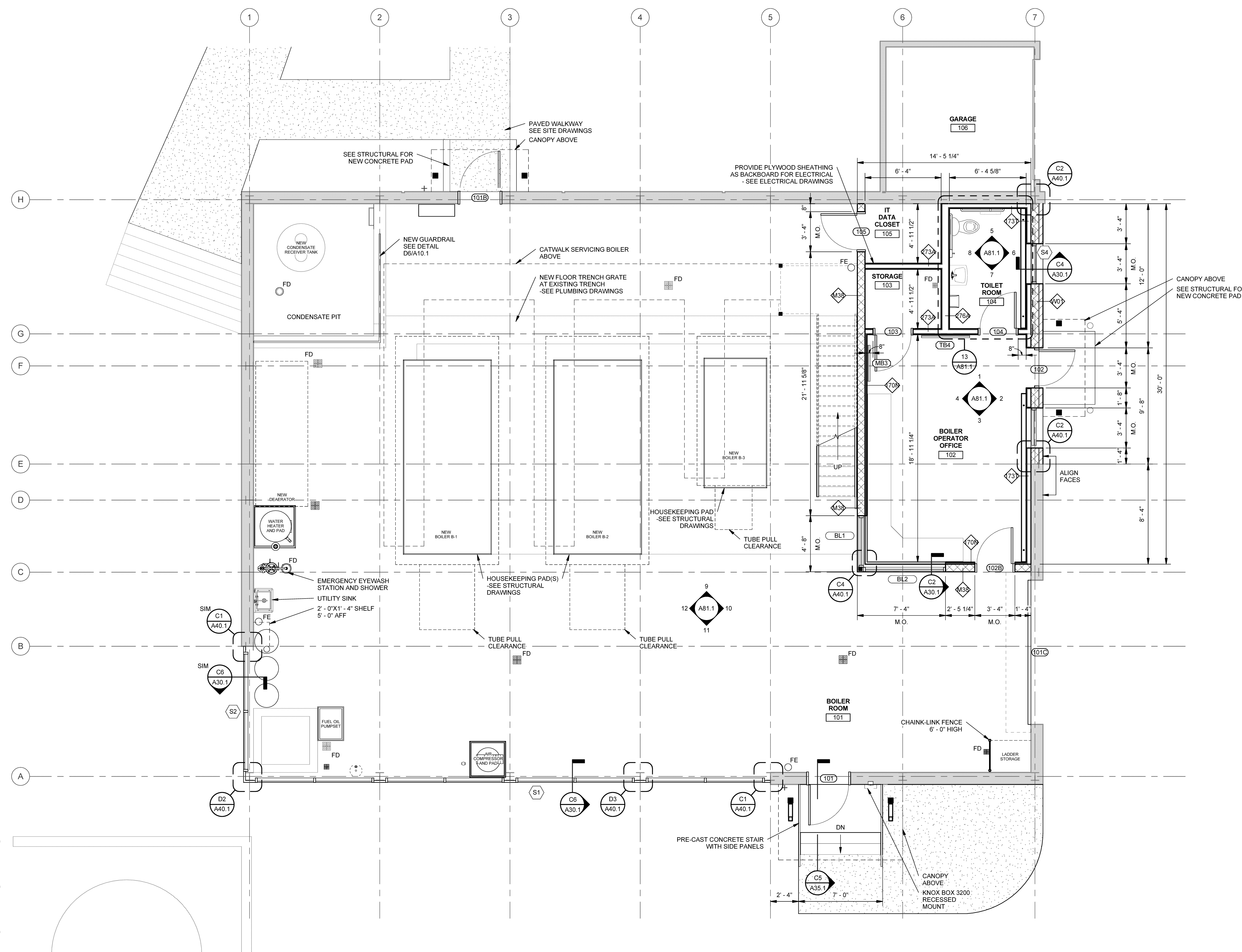
A10.1

- NOTES:
1. WELD AND GRIND SMOOTH ALL JOINTS
 2. PAINT ALL STEEL COMPONENTS



AT CONDENSATE PIT

D6 STANDARD GUARDRAIL
SCALE: 1" = 1'-0"



1 FIRST FLOOR PLAN
SCALE: 1/4" = 1'-0"

Plot Date: 10/30/2014 11:47:39 AM