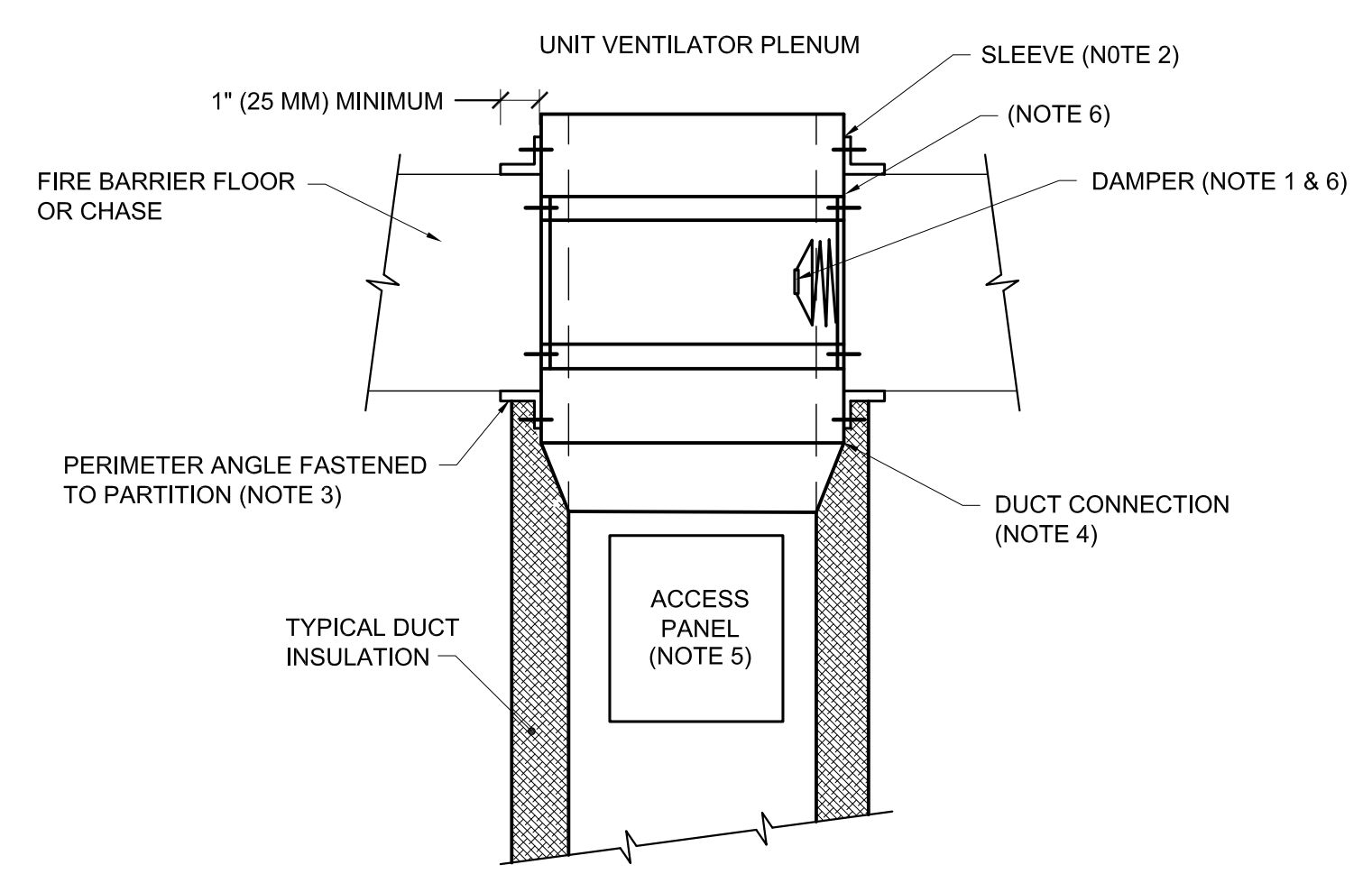
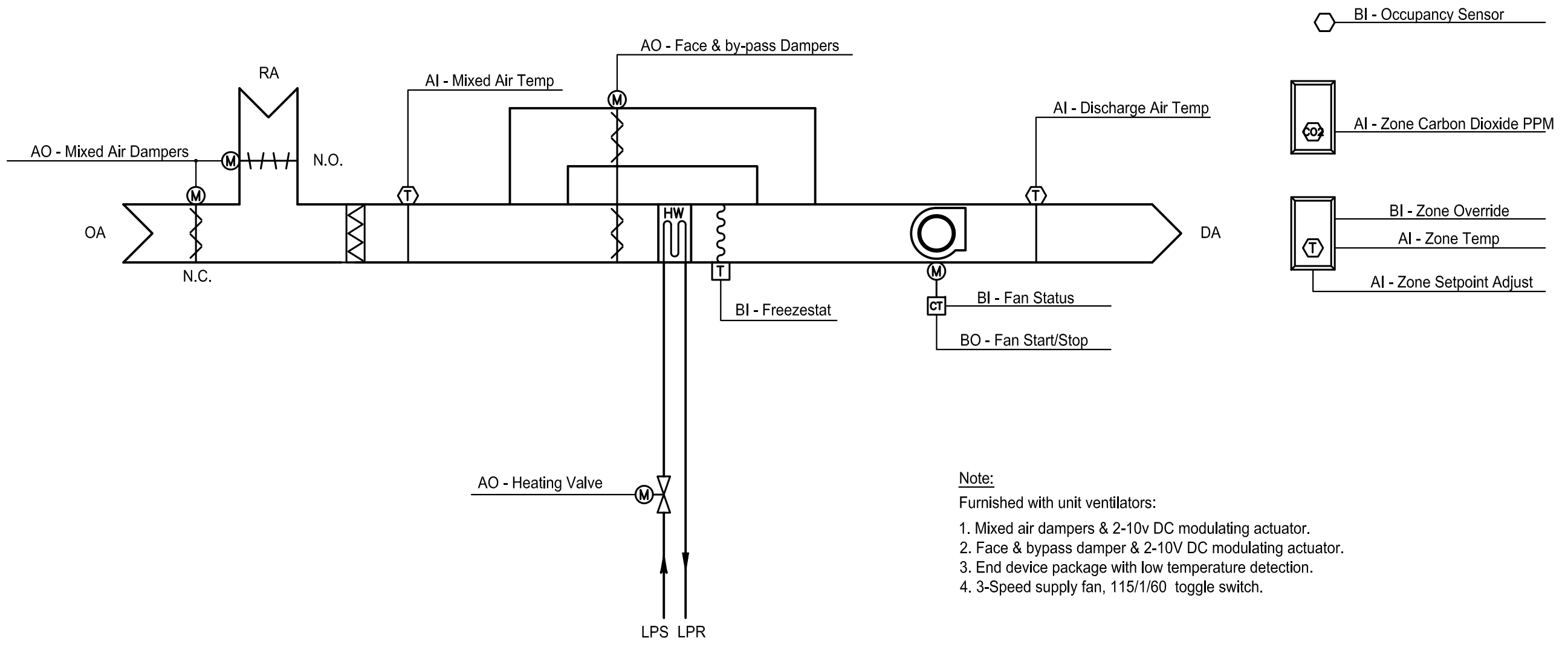


N:\Projects\2013\13102 ~ USM Luther Bonney Classroom Upgrade\00 Drawing Files\13102_M.dwg Feb 14, 2014 10:18am



- NOTES:**
1. A HORIZONTAL DAMPER IS SHOWN. VERTICAL DAMPER INSTALLATION IS SIMILAR, FOLLOW MANUFACTURER'S INSTRUCTIONS, INCLUDING FASTENER OPTIONS AND GAGES FOR SLEEVE AND PERIMETER ANGLES. FIRE DAMPERS MUST BE INSTALLED IN THE PARTITION OR FLOOR AND NOT OUTSIDE THE PENETRATION.
 2. GALVANIZED SLEEVE: GAGE NOT LESS THAN CONNECTING DUCT. FASTEN SLEEVE TO DAMPER FRAME AND TO PERIMETER ANGLES.
 3. PERIMETER ANGLES: GALVANIZED STEEL, NOT LESS THAN 1-1/2" x 1-1/2" (40x40 MM), 14 GAGE, TO PROVIDE 1" (25 MM) MINIMUM OVERLAP OF OPENING ON ALL 4 SIDES.
 4. BREAKAWAY DUCT CONNECTION: CONTRACTOR'S OPTION OF TYPES SHOWN IN SMACNA LPDS, FIG. 2-13, SEAL JOINTS.
 5. ACCESS PANELS: SIZE AND LOCATION TO PERMIT SERVICING THE FUSIBLE LINK OR LINKS.
 6. FIRE DAMPER TO BE INCREASED IN SIZE TO ALLOW BLADES TO BE OUTSIDE THE AIR STREAM.

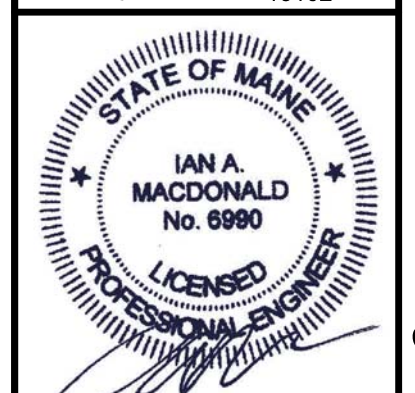
Design Firm

Consultant

Allied Engineering
Structural Mechanical
Electrical Commissioning

160 Veranda Street
Portland, Maine 04103
T: 207.221.2260
F: 207.221.2266
Web: www.allied-eng.com

Allied Project No. 13102

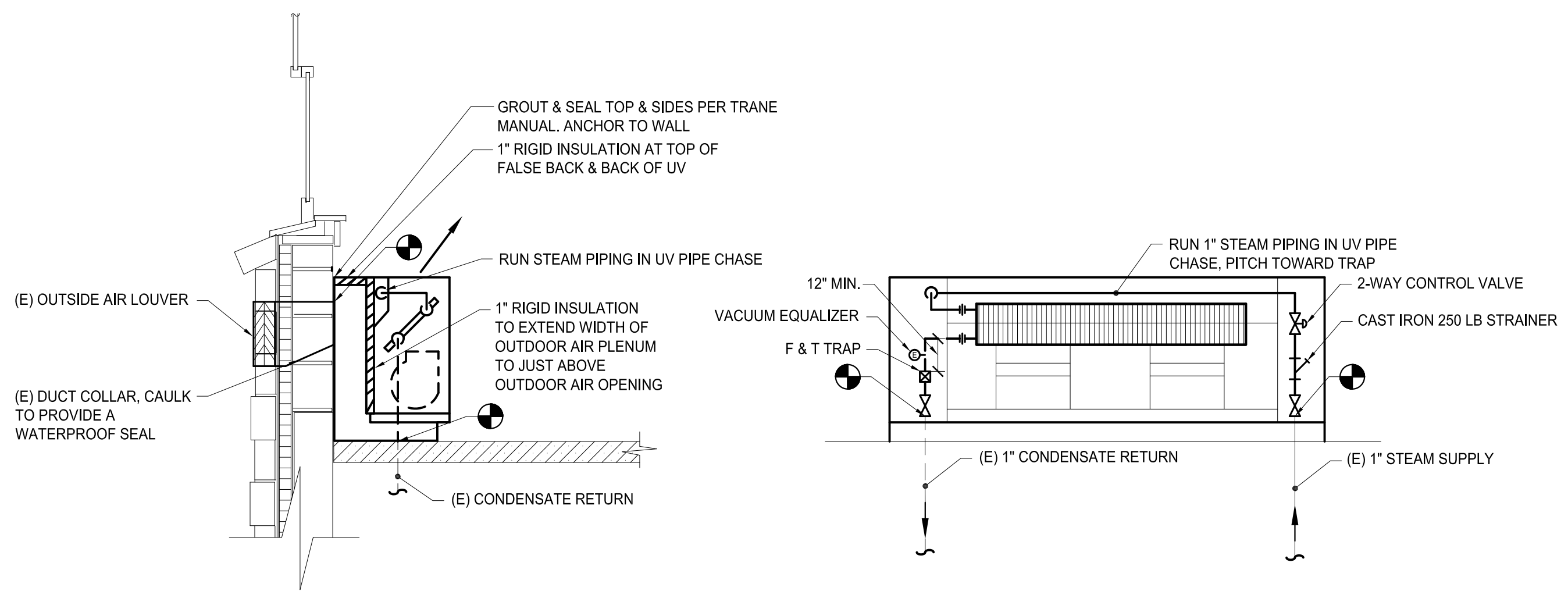


Project Title

Luther Bonney Heating Upgrades
USM Luther Bonney Hall
85 Bedford St.
Portland Maine

B1 DIAGRAM ~ UNIT VENTILATOR CONTROL

B3 DETAIL ~ FIRE DAMPER THROUGH FLOOR



UNIT VENTILATOR SCHEDULE (SEE 238223)

TAG	MFR - MODEL	DESCRIPTION	NOTES
UV-1	TRANE - VUVE0750	UNIT VENTILATOR -750 CFM LH	OWNER SUPPLIED
UV-2	TRANE - VUVE1000	UNIT VENTILATOR -1000 CFM LH	OWNER SUPPLIED
UV-3	TRANE - VUVE1250	UNIT VENTILATOR -1250 CFM LH	OWNER SUPPLIED

A1 DETAIL ~ UNIT VENTILATOR PIPING

A3 SCHEDULES ~ MECHANICAL

Issue/Revision	Description	Date	Mark
Project ID	13102_M		
CAD File	13102_M		
Drawn By	SCL		
Checked By	IAM		
Issue Date	2-14-2014		
Plot Date			
Reviewed By			
Designed By			
Submitted By			
Drawing Code			
Sheet Title	MECHANICAL SCHEDULES DETAILS AND NOTES		
Drawing No.	MH-500		