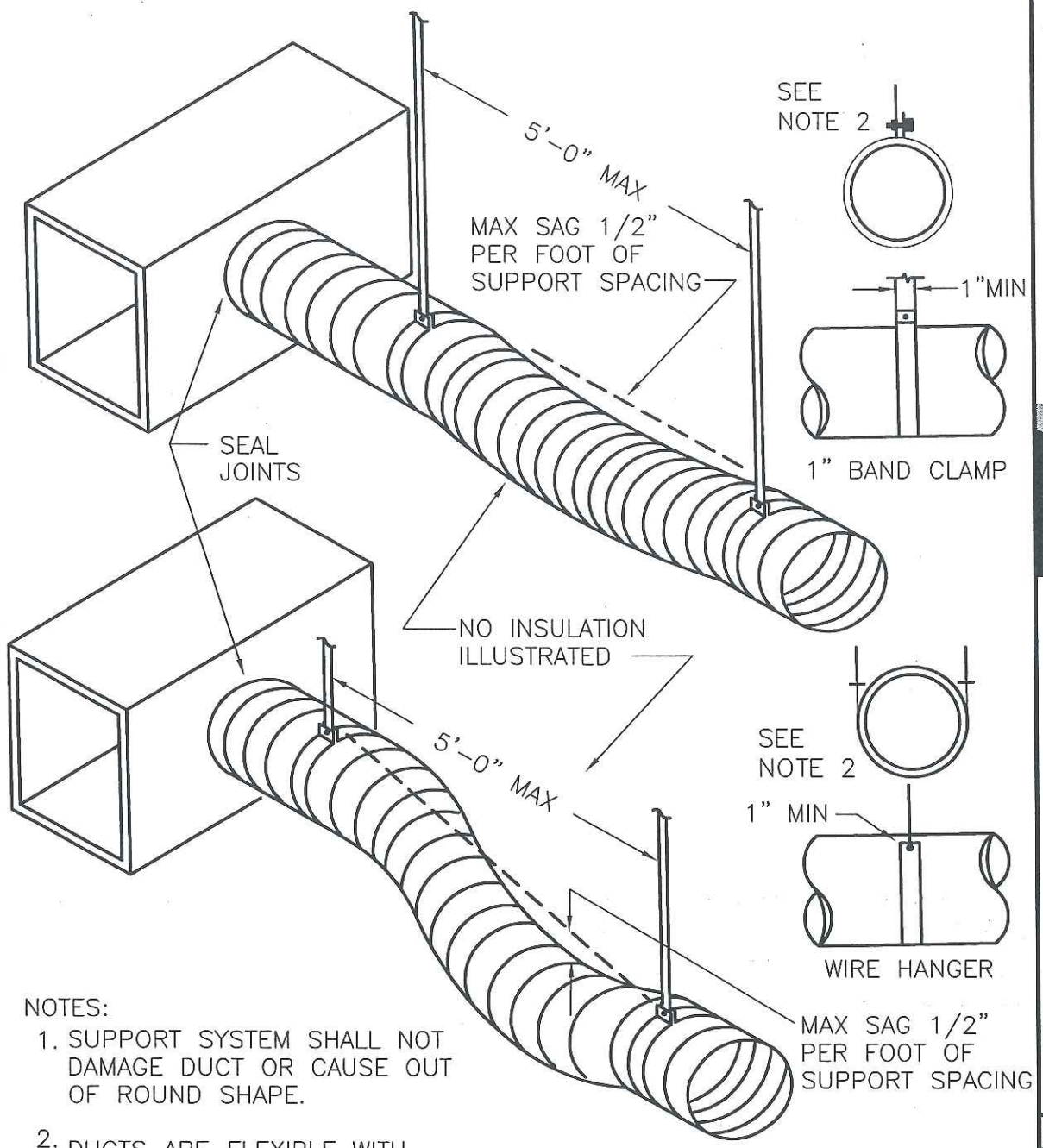
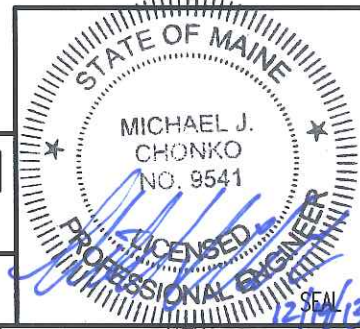


DUCT SIZE	SCHEDULES VAV BOX CFM
6"φ	0-125
8"φ	126-250
10"φ	251-425
12"φ	426-700
14"φ	701-1000
16"φ	1001-1450



- NOTES:
1. SUPPORT SYSTEM SHALL NOT DAMAGE DUCT OR CAUSE OUT OF ROUND SHAPE.
 2. DUCTS ARE FLEXIBLE WITH EXTERNAL INSULATION AND VAPOR BARRIER JACKETING.
 3. INSTALL FLEX DUCT STRAIGHT.



144 Fore Street/P.O. Box 618
 Portland, Maine 04104
 tel. (207) 772-3846
 fax. (207) 772-1070
 www.smrinc.com

ARCHITECTURE
 ENGINEERING
 PLANNING
 INTERIOR DESIGN
 COMMISSIONING

SMR

USM SCIENCE BUILDING C WING
 CYBER SECURITY LAB FIT-UP
 PROJECT 2013-007
 PORTLAND, MAINE

ISSUED FOR PERMITTING AND CONSTRUCTION
 12-20-13

CURRENT ISSUE STATUS:

REV	DESCRIPTION	DATE
0	ISSUED FOR PERMITTING AND CONSTRUCTION	12-20-13

SCALE: NONE
 PROJECT MANAGER: SLB
 JC/DRAWN BY: MBD
 A/E OF RECORD: MJC
 CAD FILE: M-501-12014-02
 PROJECT NO: 12014-02
 DATE: 12-20-13

SHEET TITLE:
MECHANICAL DETAILS

SHEET No. **M-501**
 © COPYRIGHT 2012 SMRT INC.

A1
 NOT TO SCALE

VAV BOX SCHEMATIC

A5
 NOT TO SCALE

STRAIGHT SECTION FLEXIBLE DUCT