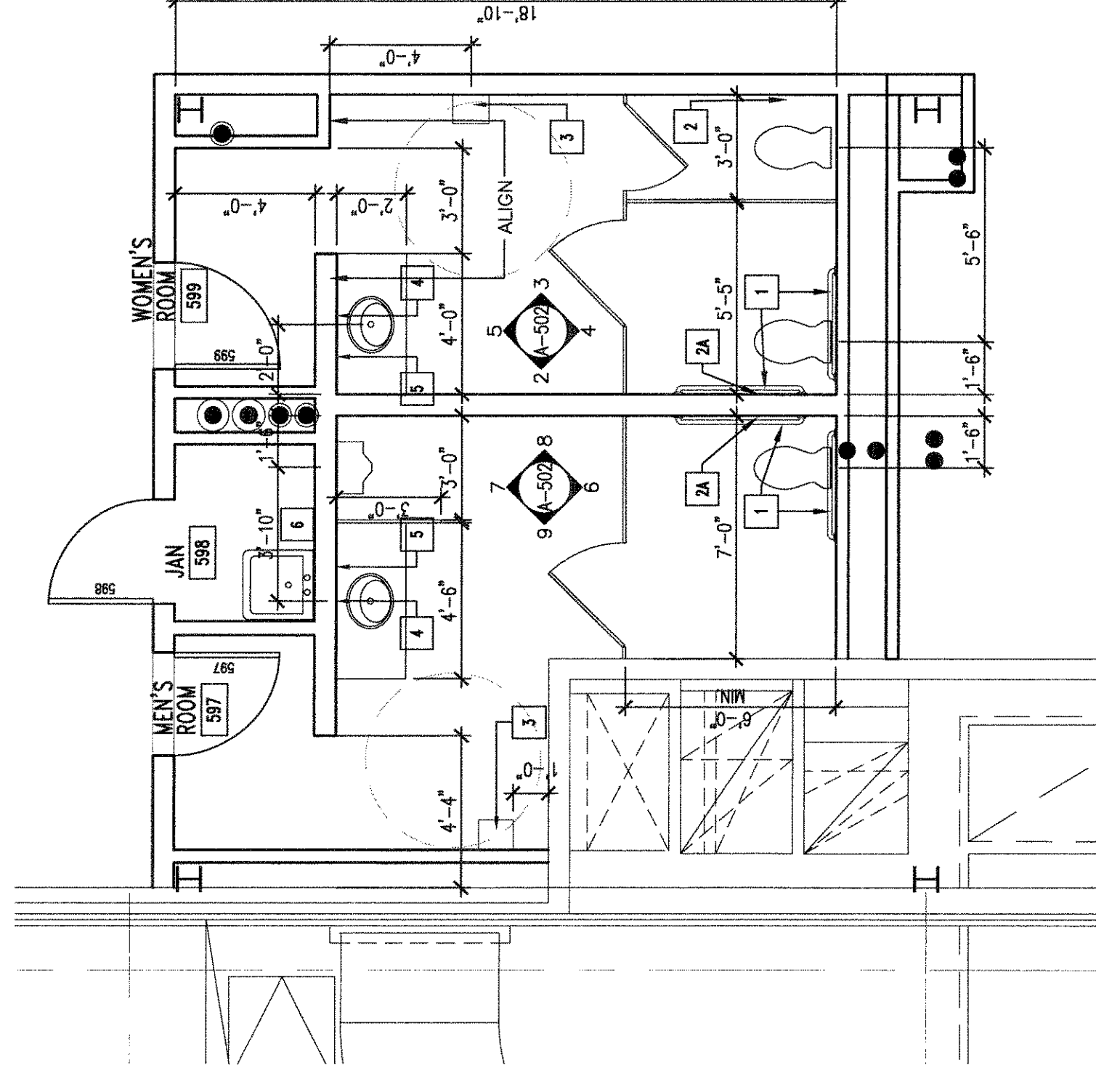




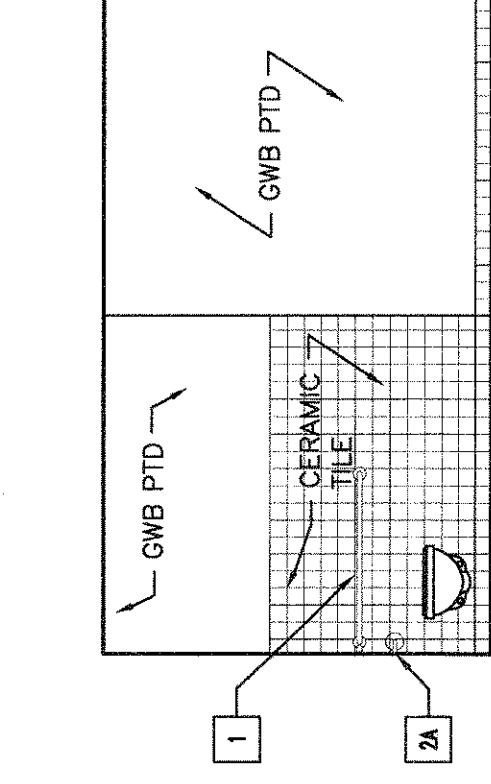
**USM**  
 BIO-SCIENCE BUILDING TOILET ROOM FIT-UP  
 SECOND, THIRD AND FIFTH FLOORS  
 70 FALMOUTH STREET, PORTLAND, ME

MARK DATE:	10.10.2013	ISSUED FOR CONSTRUCTION
ISSUE LOG		DESCRIPTION:
		△ = CLOUDED CHANGE
SCALE	AS NOTED	
DRAWN BY	DJO	
CHECK BY		
PROJ. ARCH/ENGR.	DJO	
PROJ. MGR.	RCH	
JOB NO.	11082.04	
© SYMMES, MAINI & MCKEE ASSOCIATES, INC. 2012		

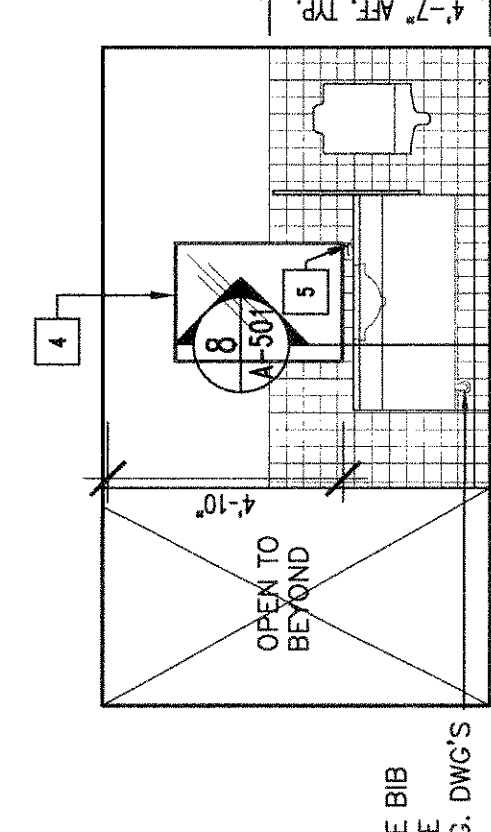
**5TH FLOOR  
 ENLARGED  
 TOILET ROOM PLANS  
 AND ELEVATIONS**



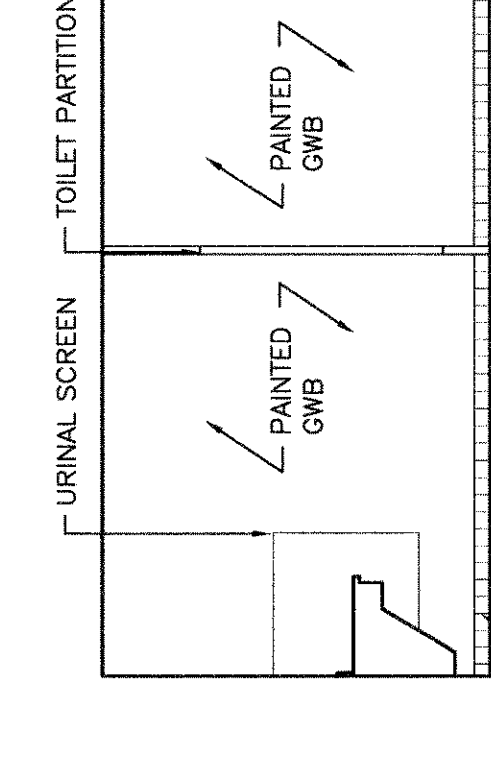
1 ENLARGED FIFTH FLOOR PLAN  
 1/4" = 1'-0" (NOTE: SEE SHEET A-105 FOR PARTITION TYPES)



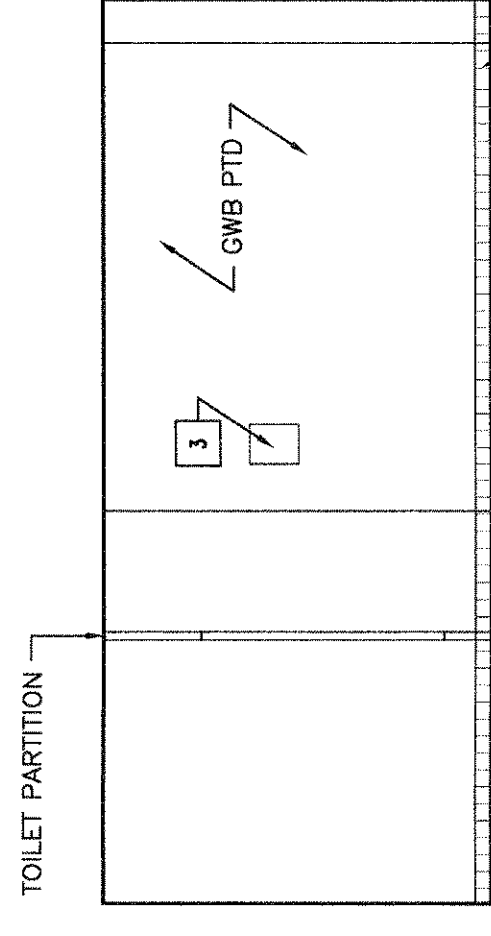
6 MEN'S SOUTH ELEVATION  
 1/4" = 1'-0"



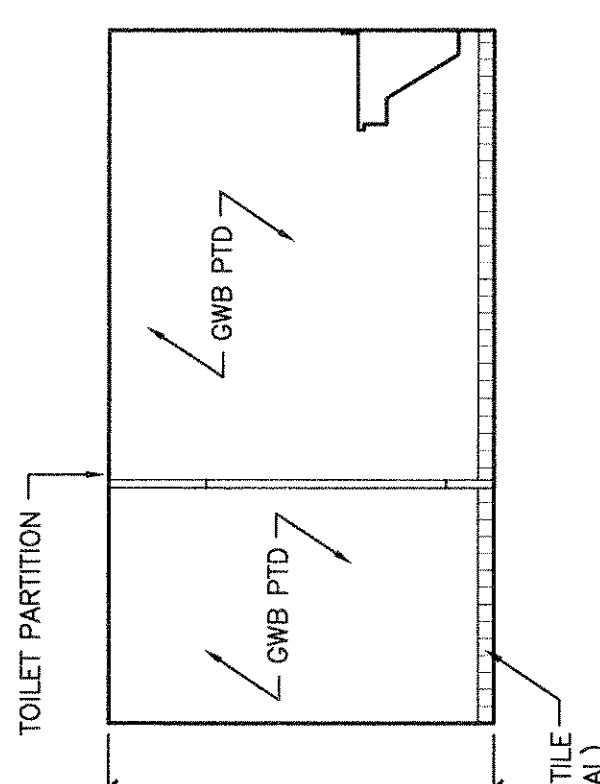
7 MEN'S NORTH ELEVATION  
 1/4" = 1'-0"



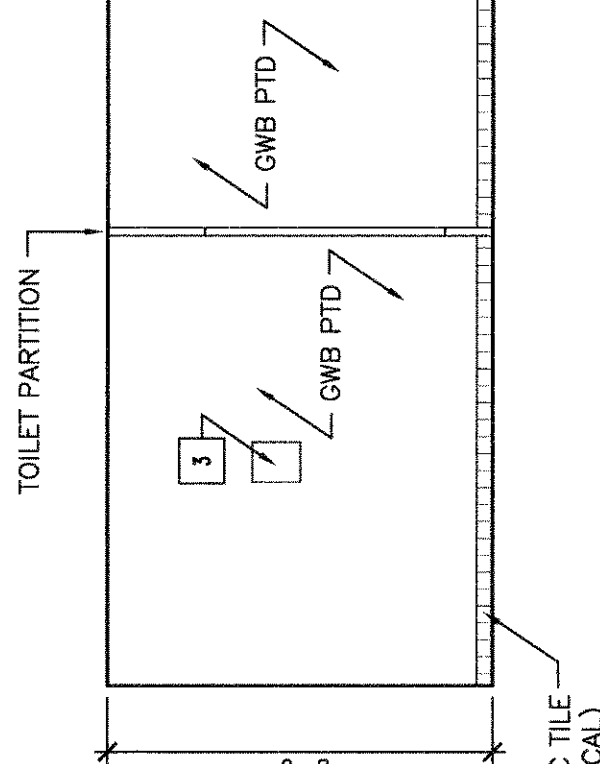
8 MEN'S EAST ELEVATION  
 1/4" = 1'-0"



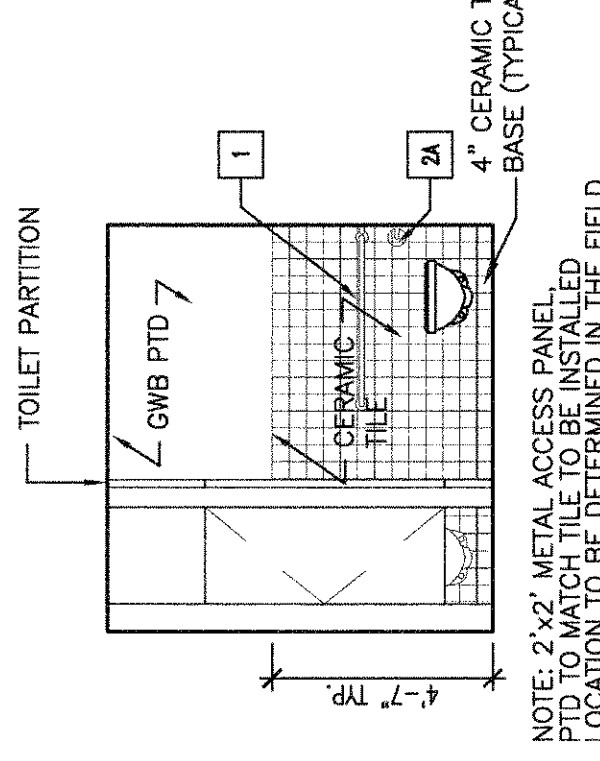
9 MEN'S WEST ELEVATION  
 1/4" = 1'-0"



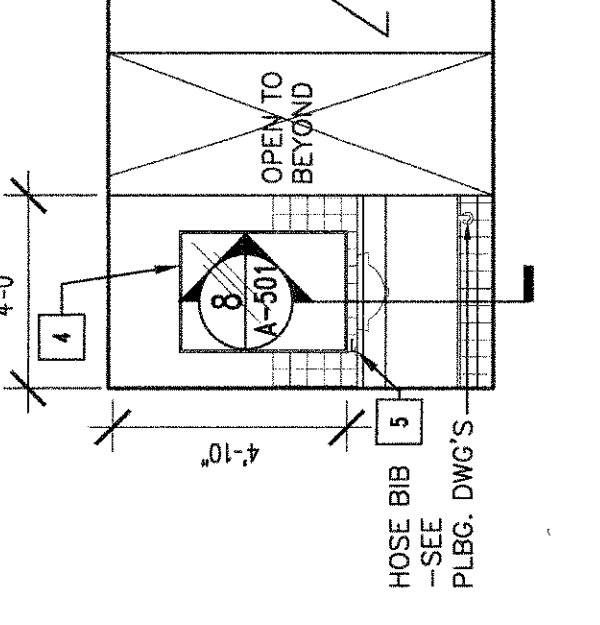
2 WOMEN'S WEST ELEVATION  
 1/4" = 1'-0"



3 WOMEN'S EAST ELEVATION  
 1/4" = 1'-0"



4 WOMEN'S SOUTH ELEVATION  
 1/4" = 1'-0"



5 WOMEN'S NORTH ELEVATION  
 1/4" = 1'-0"

NOTE: 2'x2' METAL ACCESS PANEL  
 PTD TO MATCH TILE TO BE INSTALLED  
 LOCATION TO BE DETERMINED IN THE FIELD

F

E

D

C

B

A

8

7

6

5

4

3

2