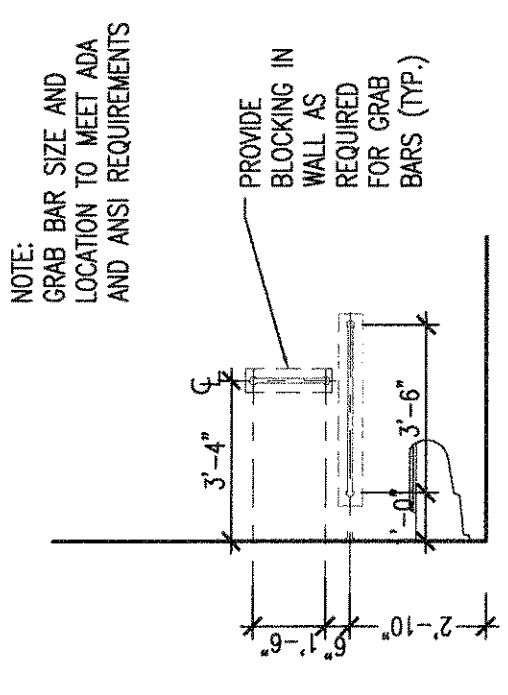
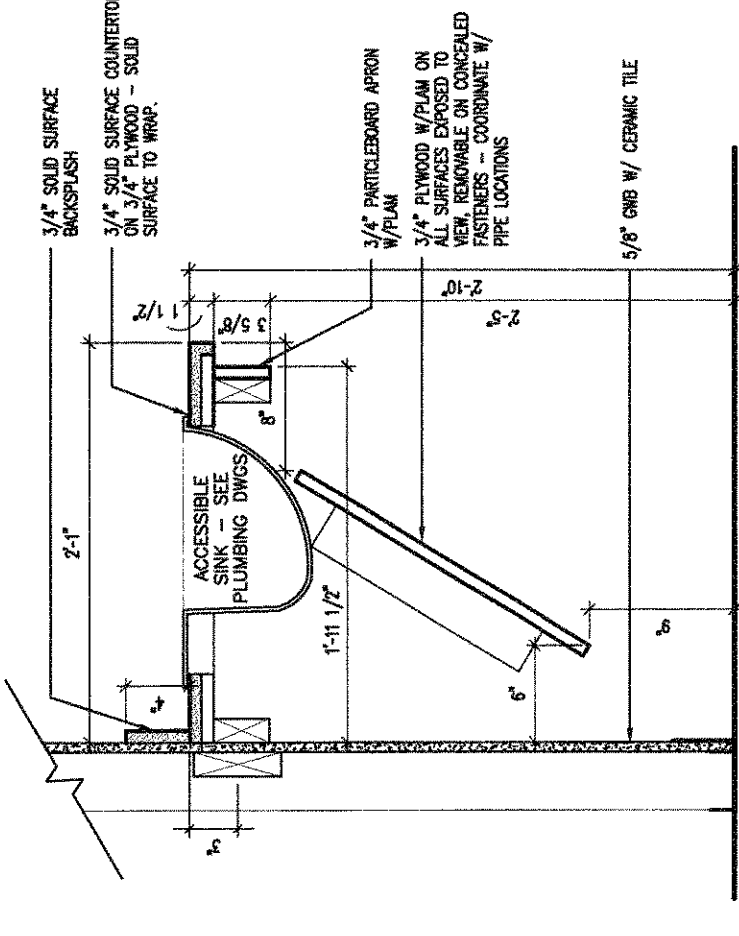


PLUMBING FIXTURE AND TOILET ACCESSORIES MOUNTING HEIGHT SCHEDULE

SYMB.	FIGURE / ACCESSORY	MEASURED TO
1	GRAB BARS	TOP
2*	TOILET TISSUE DISPENSER (N.I.C.)	CENTER LINE
2A*	TOILET TISSUE DISPENSER-ACCESSIBLE (N.I.C.)	CENTER LINE
3*	ELECTRIC HAND DRYER (N.I.C.)	OPERATOR
4	MIRROR	OPERATOR
5*	WATER DISPENSER (N.I.C.)	OPERATOR
6	JANITORS CLOSET WIP RACK	TOP

* ACCESSORIES PROVIDED BY OWNER AND INSTALLED BY CONTRACTOR.

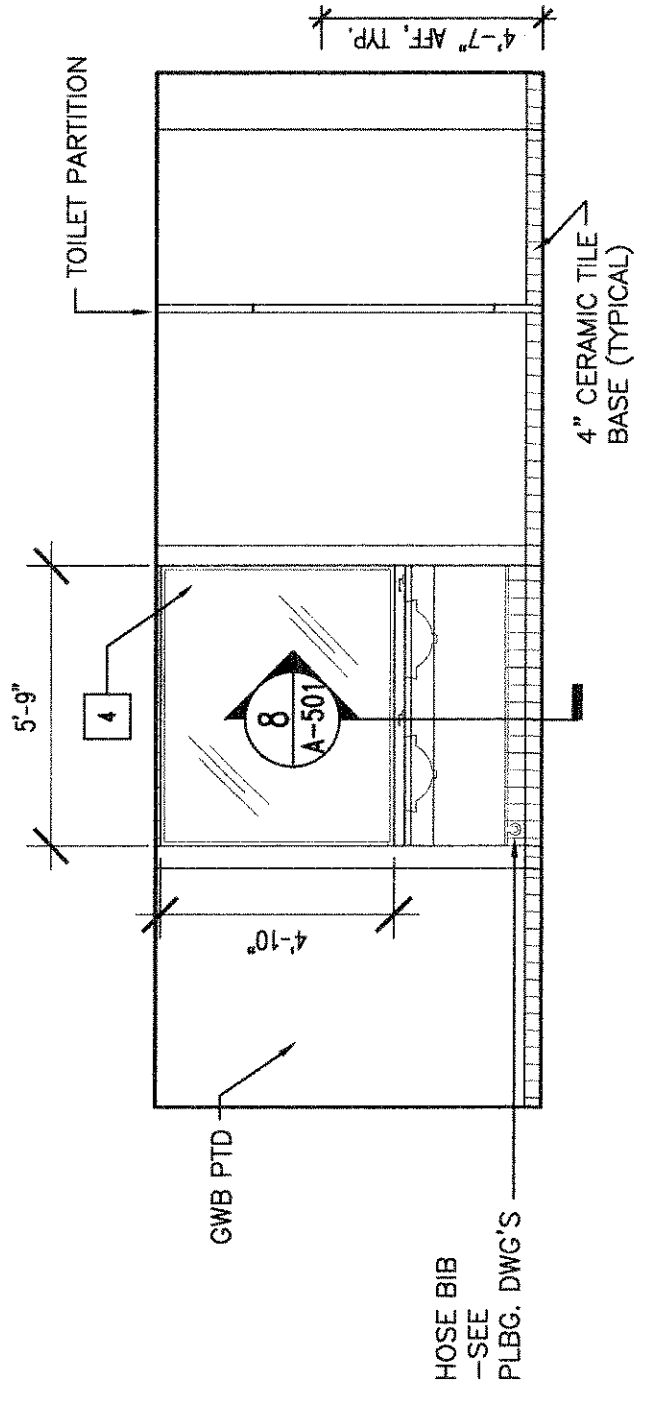
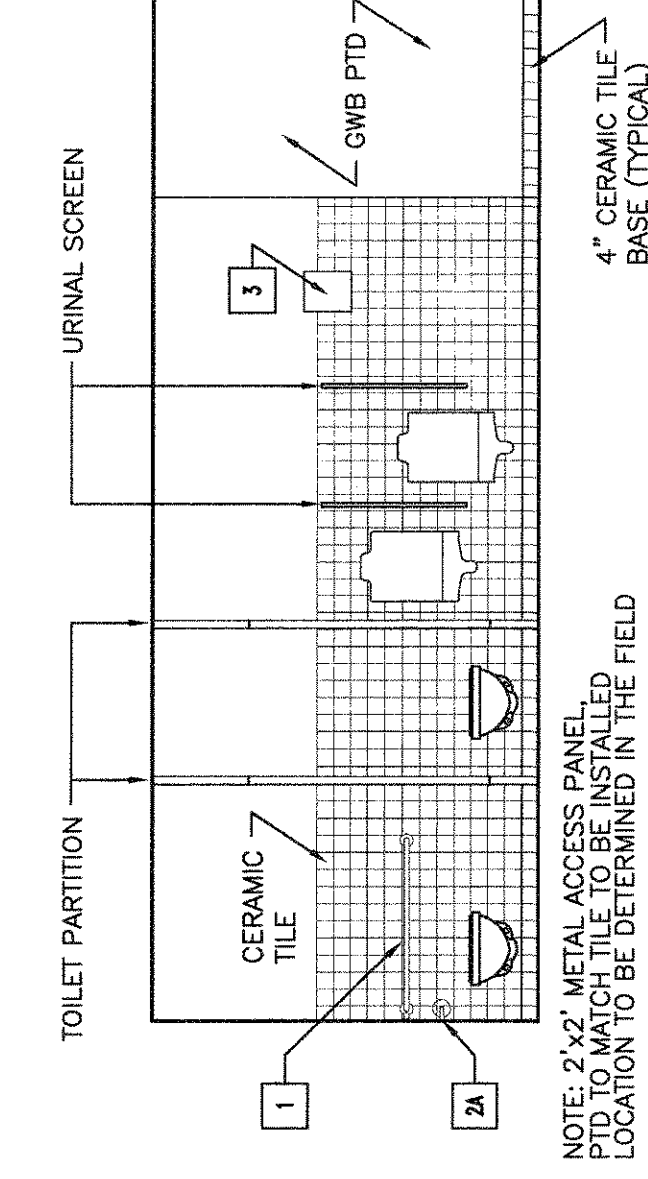
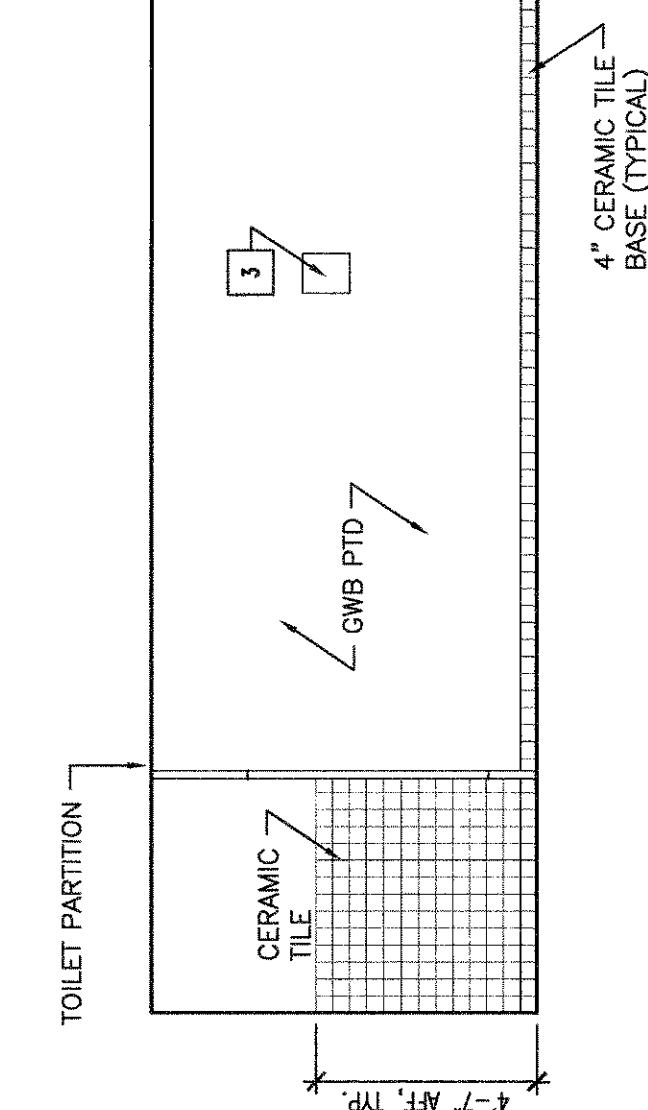
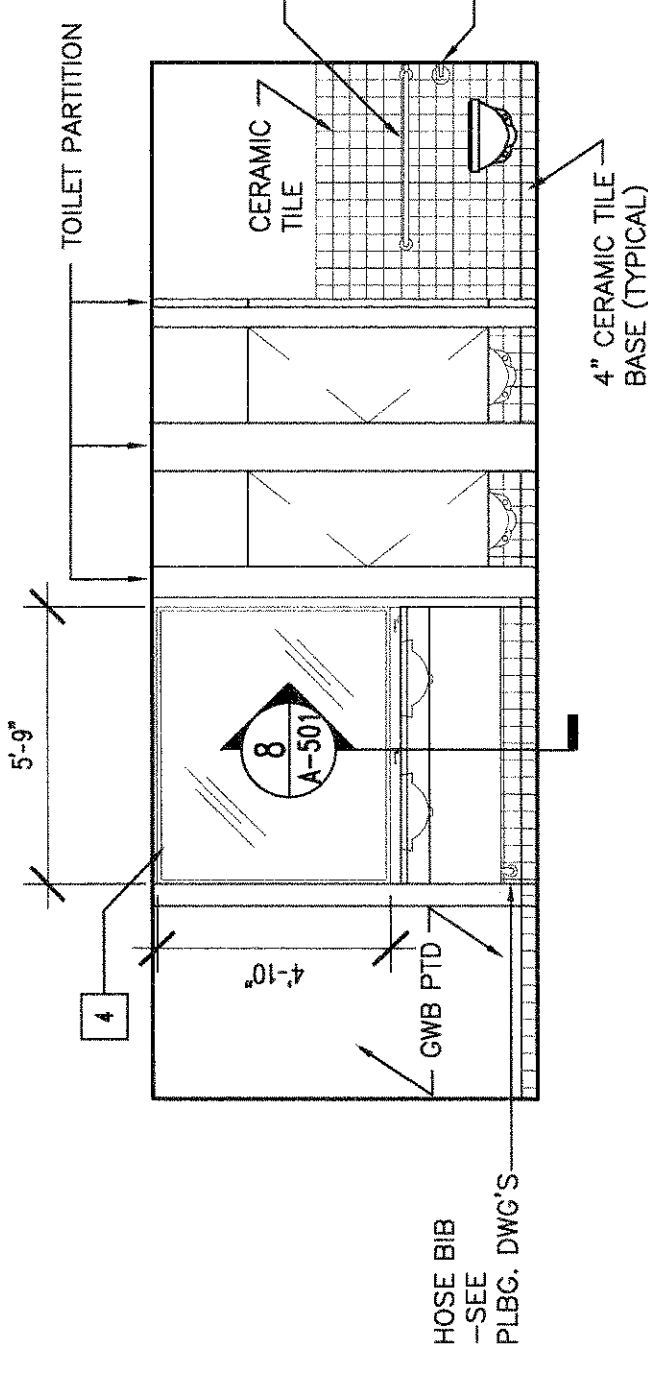
- NOTES:
- DIMENSIONS SHOWN ARE INCHES ABOVE FINISH FLOOR (AFF)
 - MOUNTING AND INSTALLATIONS TO BE IN COMPLIANCE WITH ADAG AND BOCA NATIONAL BUILDING CODE
 - TOP OF FLUSH VALVE TO BE 1 1/2 INCHES BELOW THE BOTTOM OF THE GRAB BAR AT ACCESSIBLE TOILETS
 - FLUSH VALVE OPERATOR TO BE MOUNTED ON THE WIDE SIDE OF THE ACCESSIBLE STALL
 - TYPICAL LAB. SINK HEIGHT (IN CASEWORK) @ 34"
 - PROVIDE BLOCKING IN WALLS, AS REQUIRED.



8 ACCESSIBLE LAV. COUNTER SECTION
1/4" = 1'-0"

7 TYPICAL ADA GRAB BAR SIZES AND PLACEMENT
N.T.S.

6 WOMEN'S EAST ELEVATION
1/4" = 1'-0"

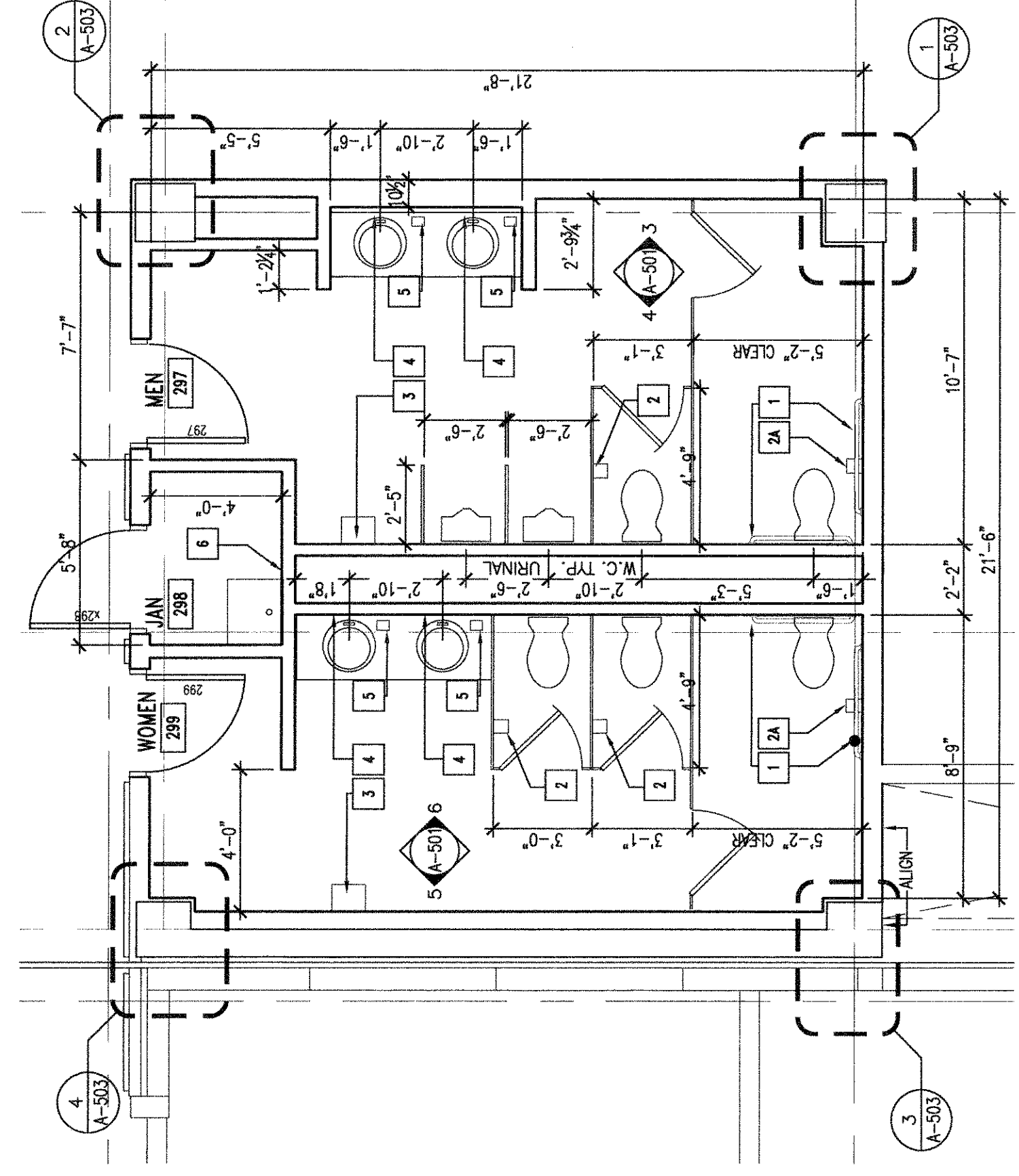
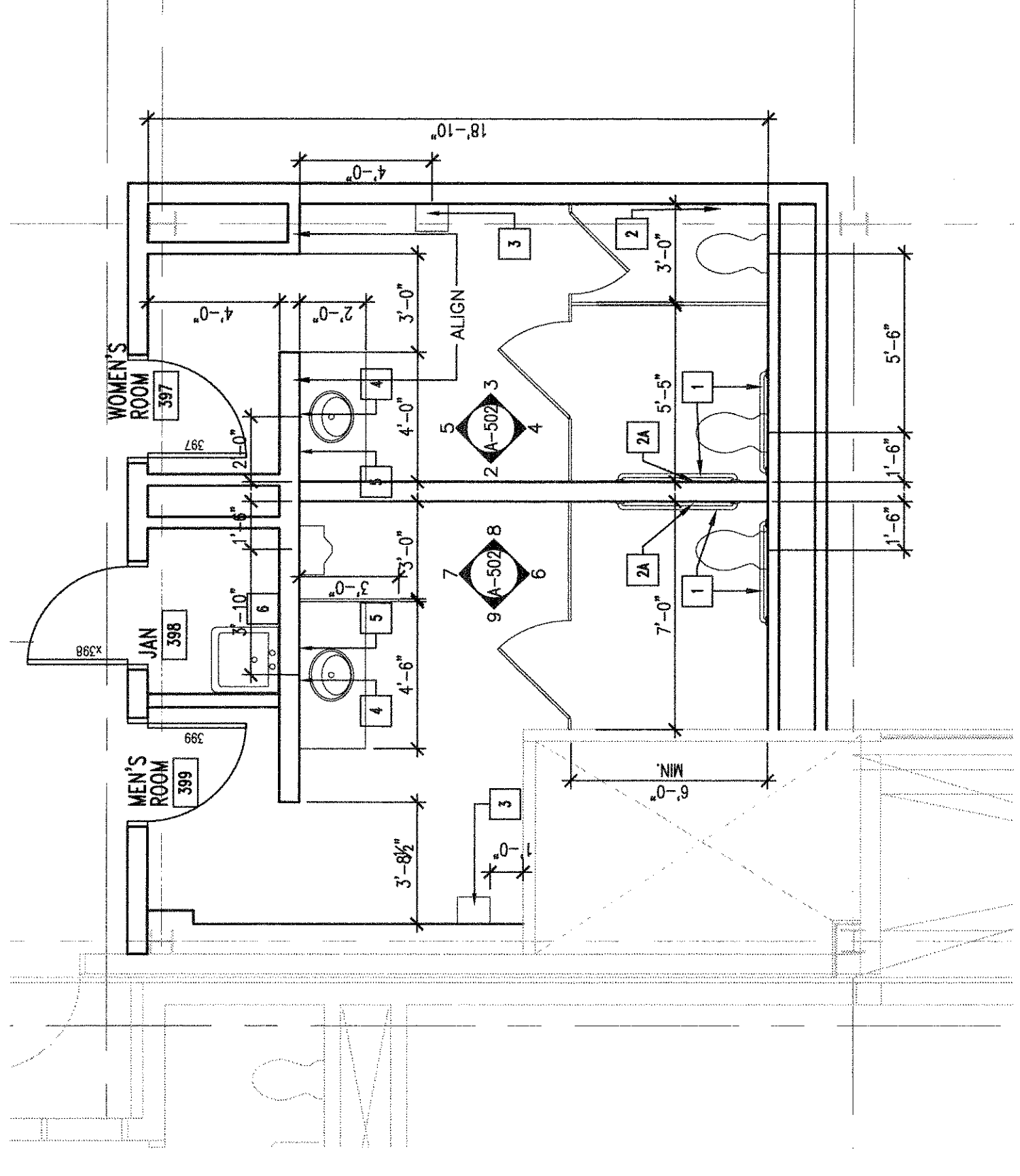


6 WOMEN'S EAST ELEVATION
1/4" = 1'-0"

5 WOMEN'S WEST ELEVATION
1/4" = 1'-0"

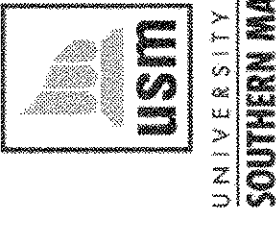
4 MEN'S WEST ELEVATION
1/4" = 1'-0"

3 MEN'S EAST ELEVATION
1/4" = 1'-0"

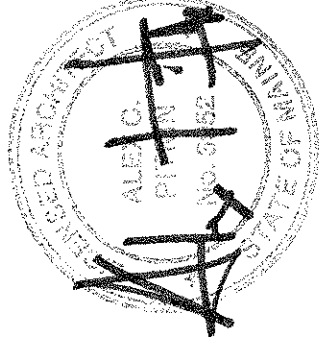


2 ENLARGED THIRD FLOOR PLAN
1/4" = 1'-0" (NOTE: SEE SHEET A-103 FOR PARTITION TYPES)

1 ENLARGED SECOND FLOOR PLAN
1/4" = 1'-0" (NOTE: SEE SHEET A-102 FOR PARTITION TYPES)



USM
BIO-SCIENCE BUILDING TOILET ROOM FIT-UP
SECOND, THIRD AND FIFTH FLOORS
70 FALMOUTH STREET, PORTLAND, ME



MARK DATE: 10.10.2013
ISSUED FOR CONSTRUCTION
ISSUE LOG
DESCRIPTION:
* CLOUDED CHANGE

SCALE: AS NOTED
DRAWN BY: DDO
CHECKED BY: DDO
PROJECT ARCHENGR.: DDO
PROJ. MGR.: RCH
JOB NO.: 11922.04
© SYMMES MAINI & MCKEE ASSOCIATES, INC. 2012

2ND AND 3RD FLOOR
ENLARGED
TOILET ROOM PLANS
AND ELEVATIONS