

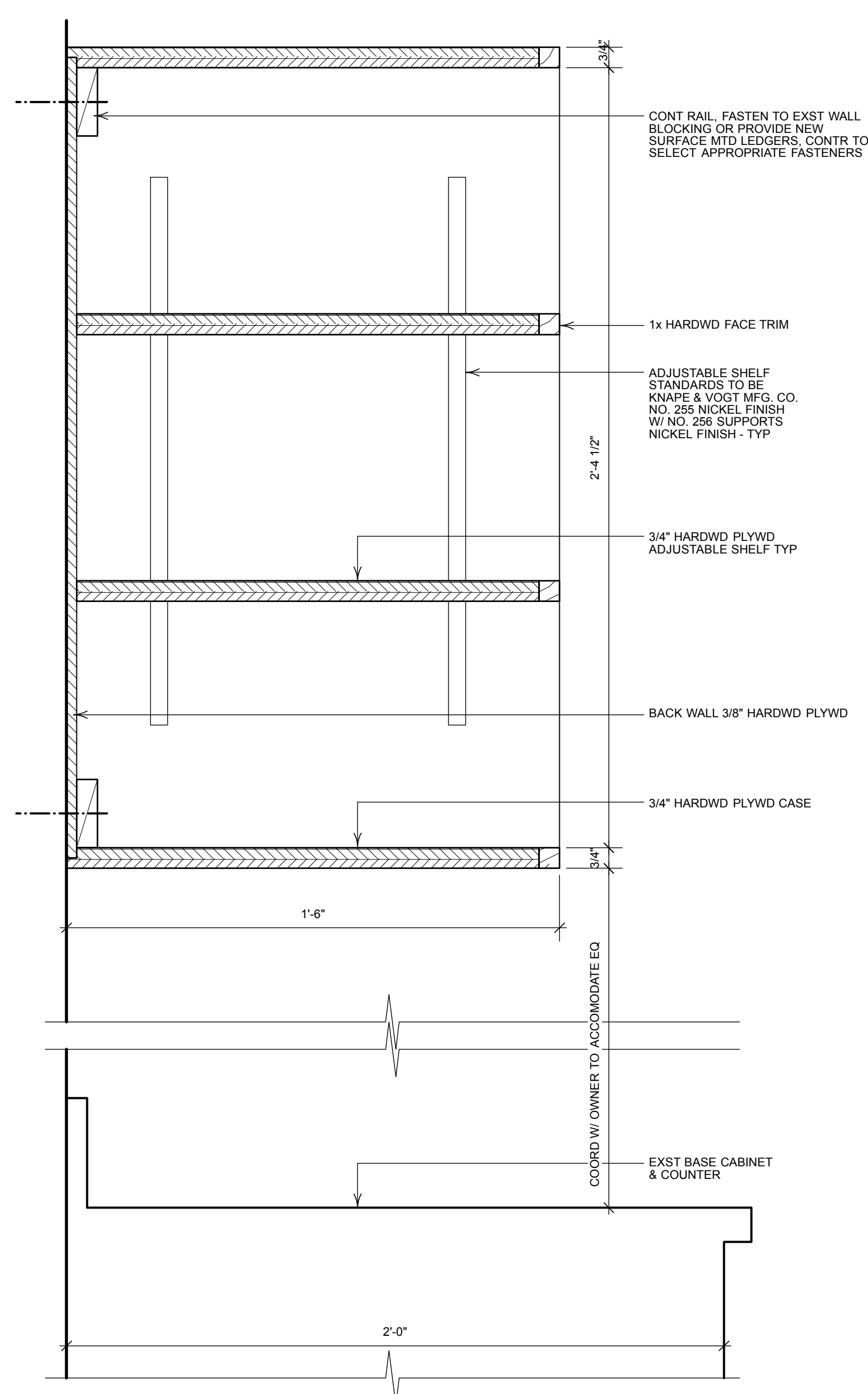
D

C

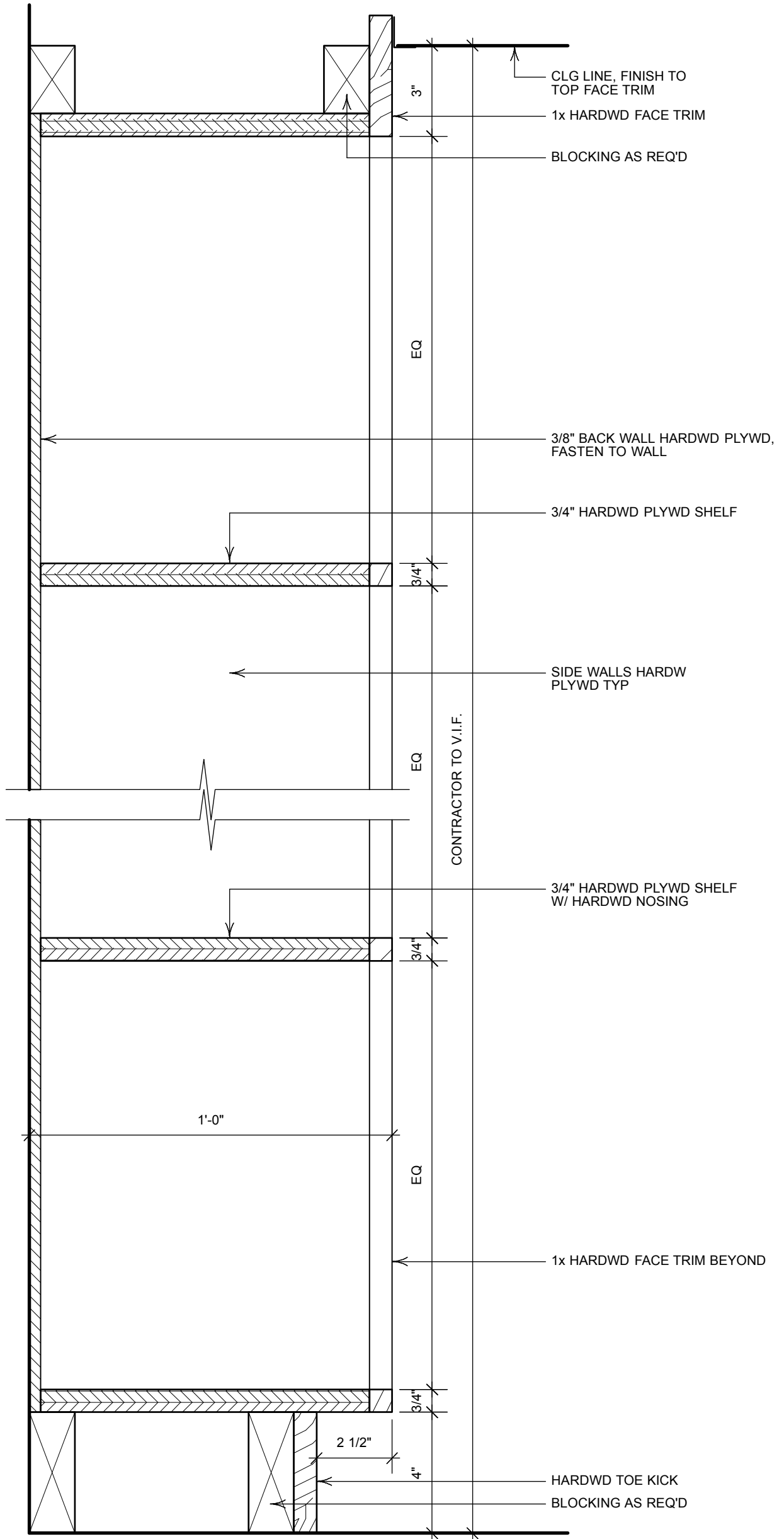
B

A

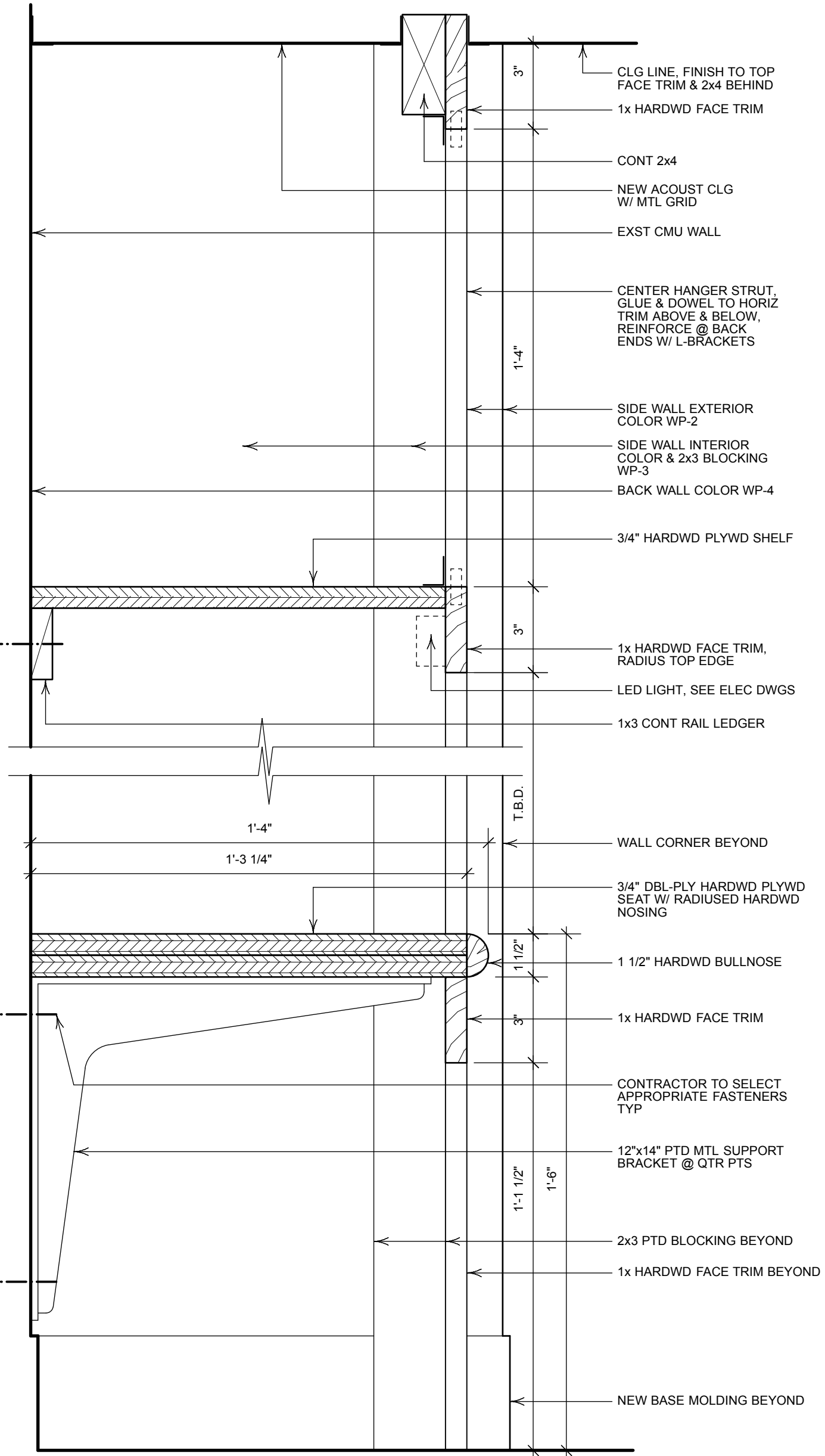
\\server\MC2\desktop\12073\_TBL\_Portland.dwg Aug 07, 2012 - 8:55am



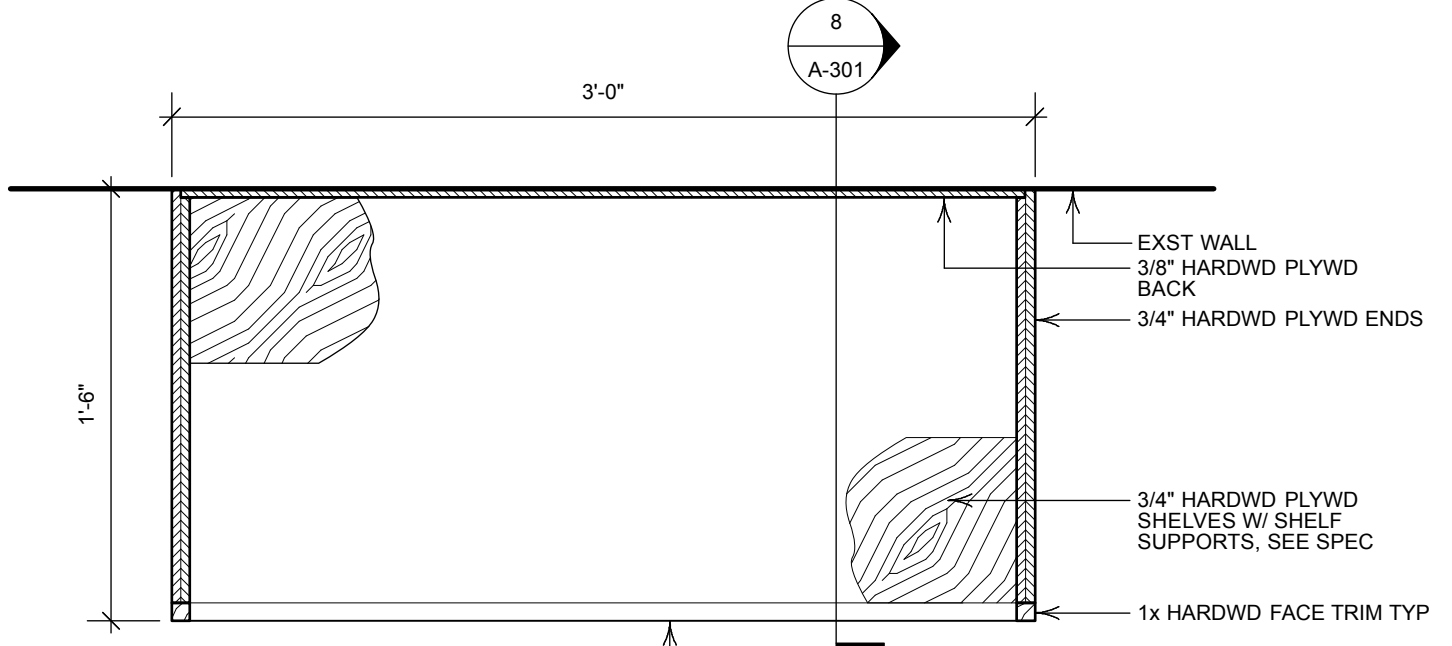
8 SECTION THRU CHEM LAB SHELF UNIT  
Scale: 3" = 1'-0"



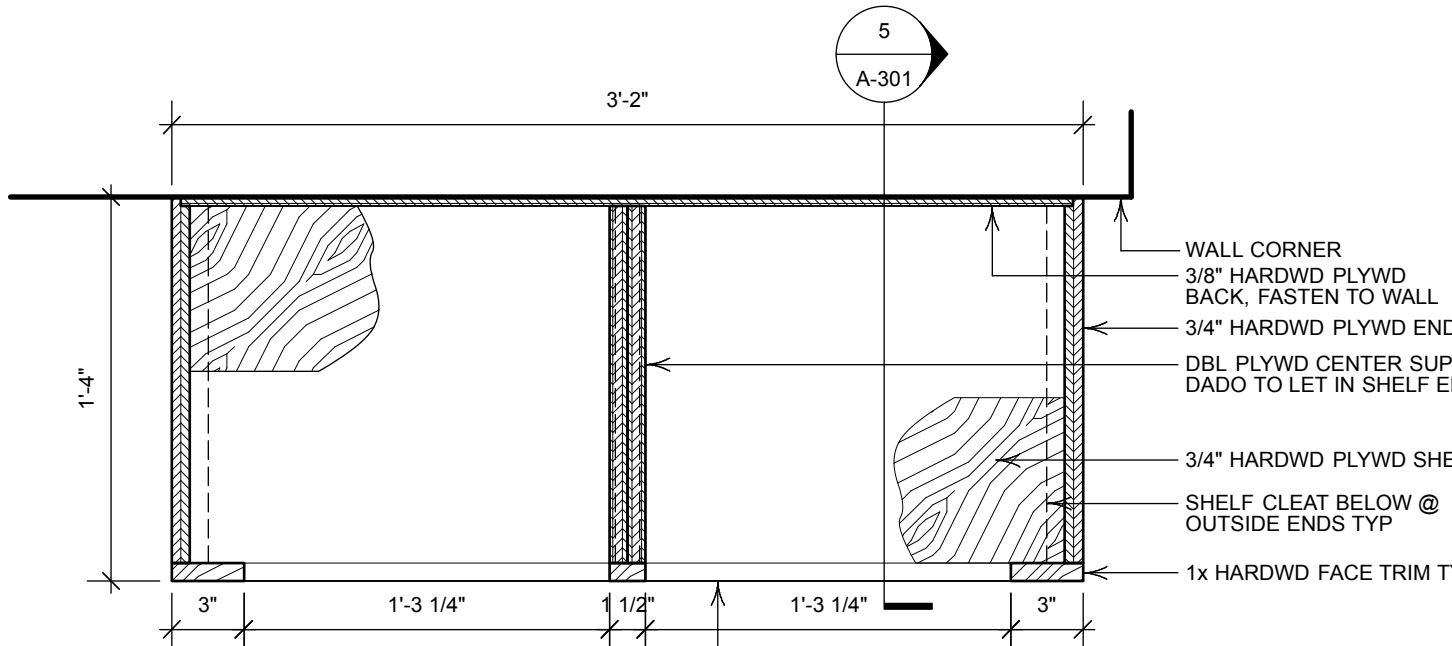
5 SECTION THRU STORAGE CUBBIES  
Scale: 3" = 1'-0"



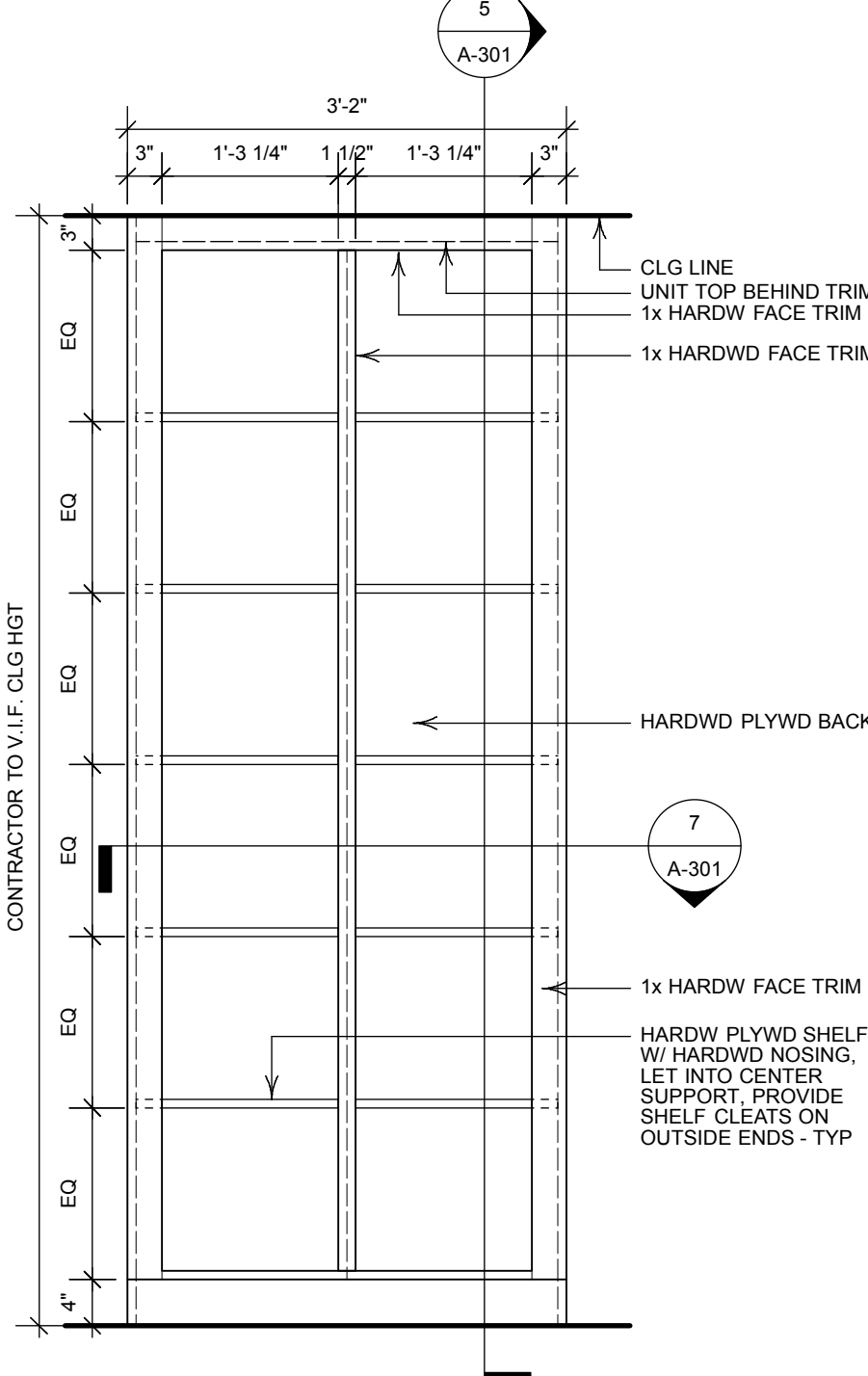
3 SECTION THRU SEAT/SHELF UNIT  
Scale: 3" = 1'-0"



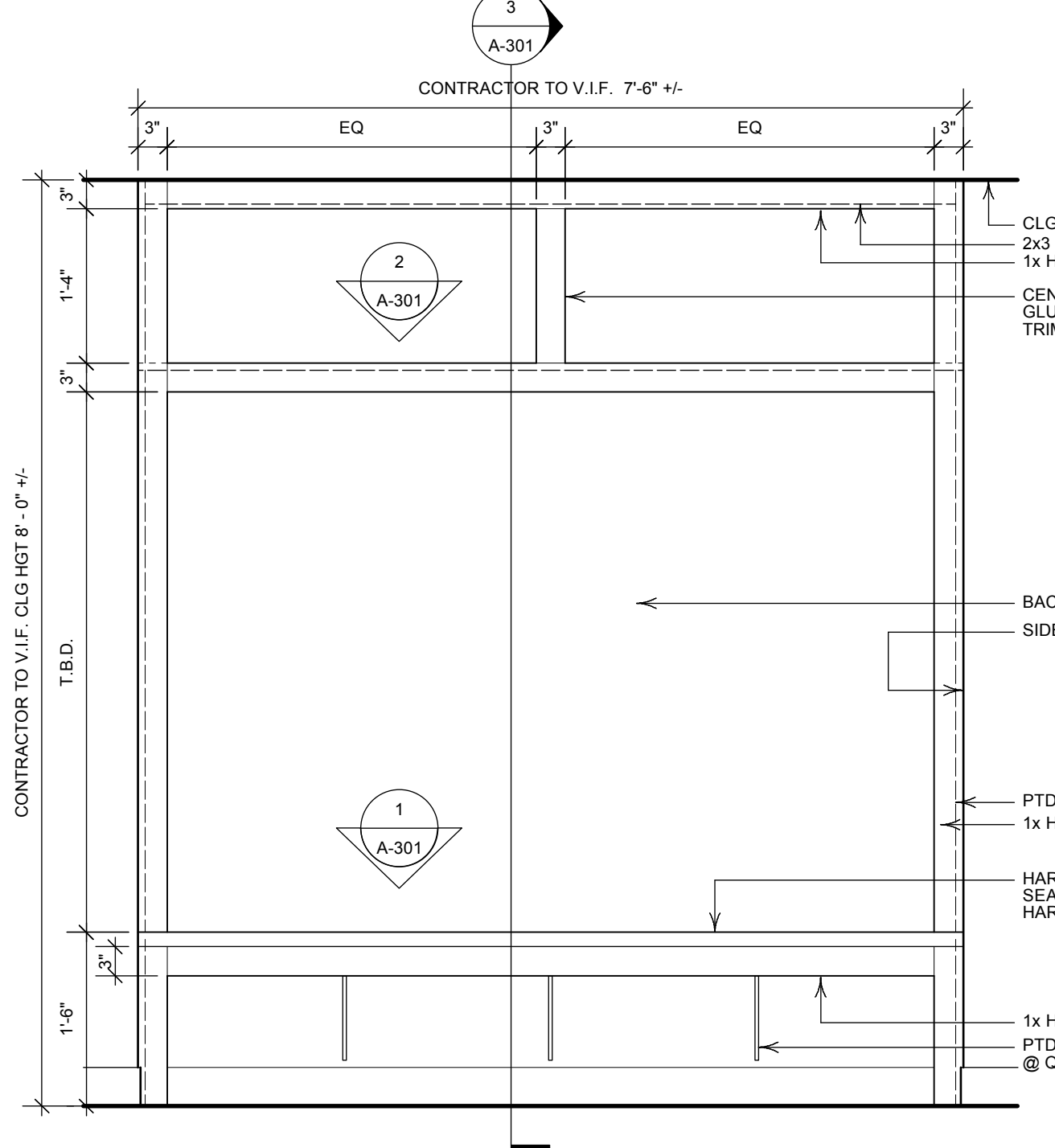
9 PLAN VIEW OF LAB SHELVES  
Scale: 1 1/2" = 1'-0"



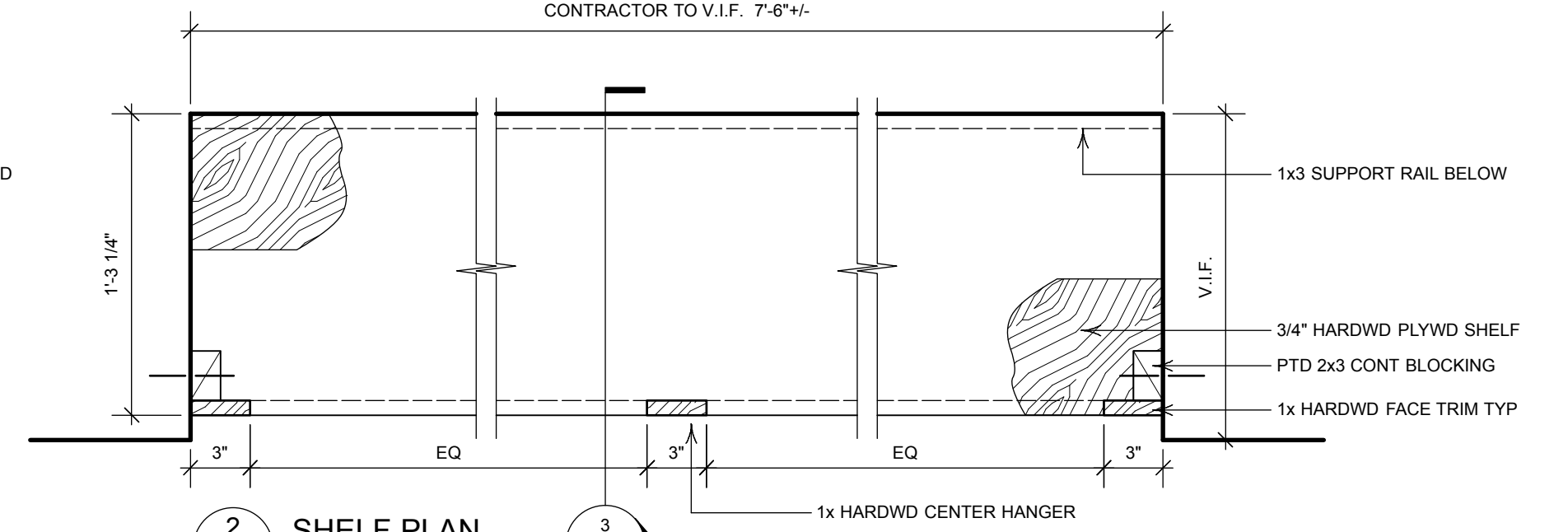
7 PLAN VIEW OF CUBBIES  
Scale: 1 1/2" = 1'-0"



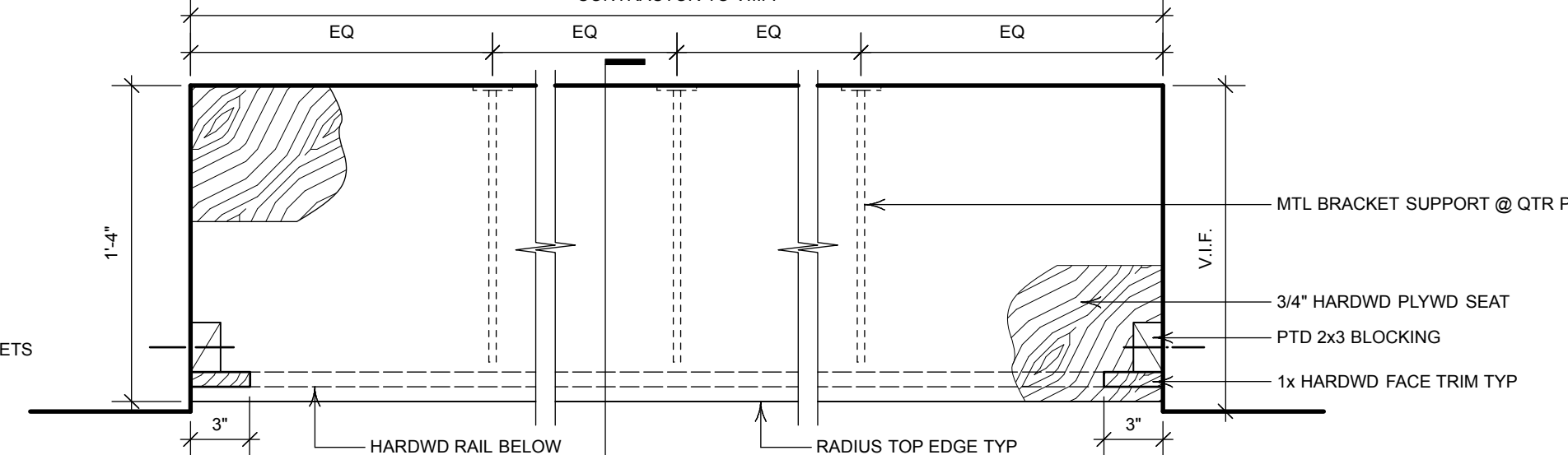
6 STORAGE CUBBIES ELEVATION  
Scale: 3/4" = 1'-0"



4 BENCH UNIT ELEVATION  
Scale: 3/4" = 1'-0"



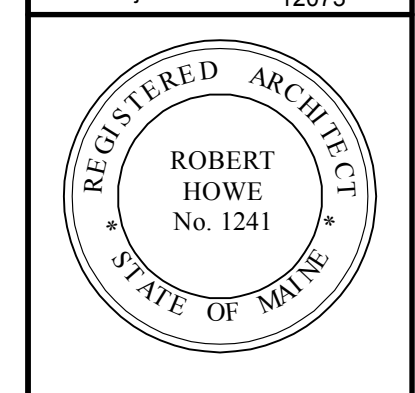
2 SHELF PLAN  
Scale: 1 1/2" = 1'-0"



1 SEAT PLAN  
Scale: 1 1/2" = 1'-0"

Design Firm  
HKTA / architects  
462 Congress Street, Suite 502  
Portland, Maine 04101  
phone: 207.774.6016  
fax: 207.774.6018  
email: info@hkta.com

Consultant  
Allied Engineering  
Structural Mechanical  
Electrical Commissioning  
160 Veranda Street  
Portland, Maine 04103  
T: 207.221.2260  
F: 207.221.2266  
Web: www.allied-eng.com



Project Title  
Science "B" 3rd Flr Renovation  
USM Science Building B-Wing  
70 Falmouth St.  
Portland Maine

Issue/Revision	For Construction	Date	Mark	Description
Project ID				
CAD File Name				
Drawn By				
Checked By				
Issue Date:	04-02-2013			
Plot Date:				
Reviewed by				
Designed by	HKTA			
Submitted By				
Drawing Code				
Sheet Title	CASEWORK DETAILS			

Issue/Revision For Construction  
Project ID  
CAD File Name  
Drawn By  
Checked By  
Issue Date: 04-02-2013  
Plot Date:  
Reviewed by  
Designed by HKTA  
Submitted By  
Drawing Code  
Sheet Title  
CASEWORK DETAILS

Drawing No.  
A-301  
of Total Sheets