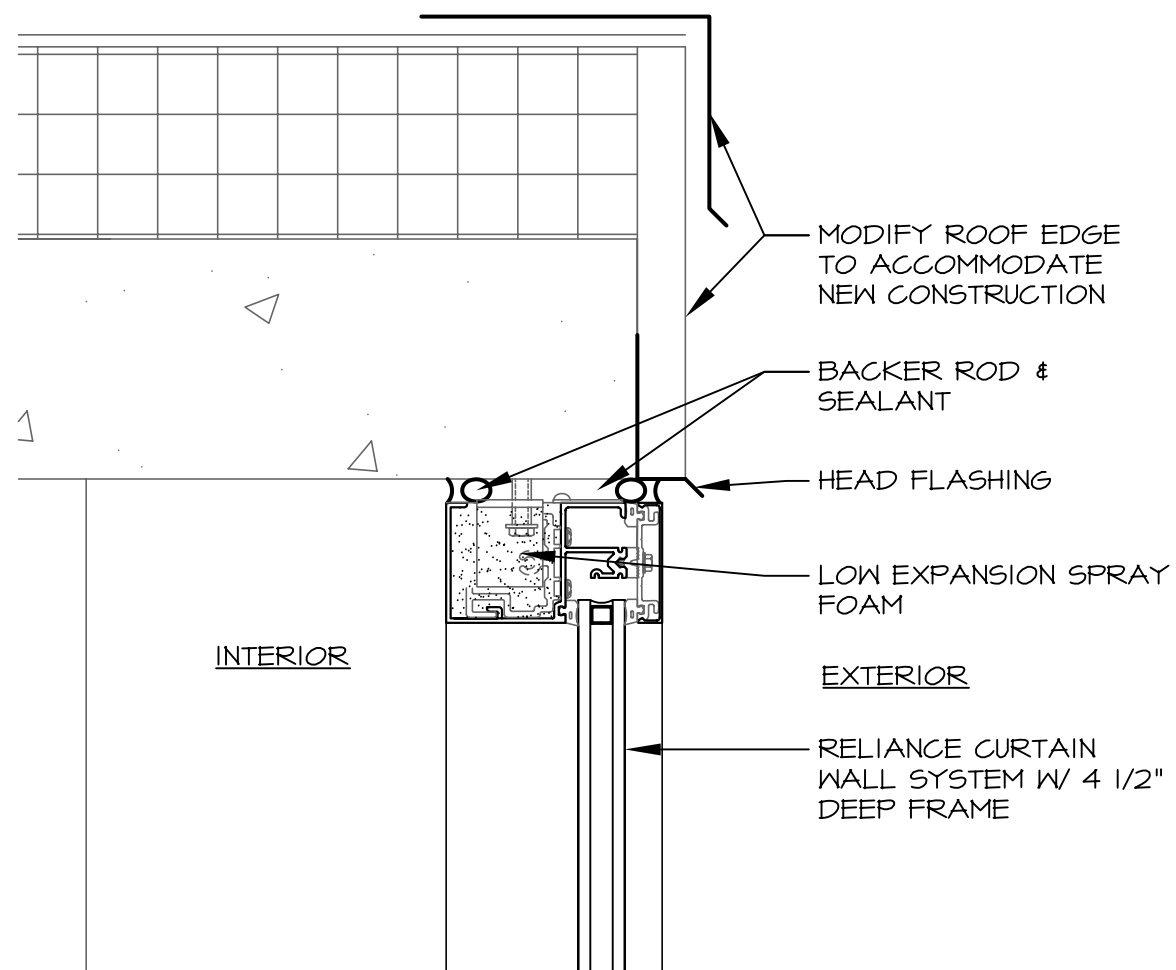
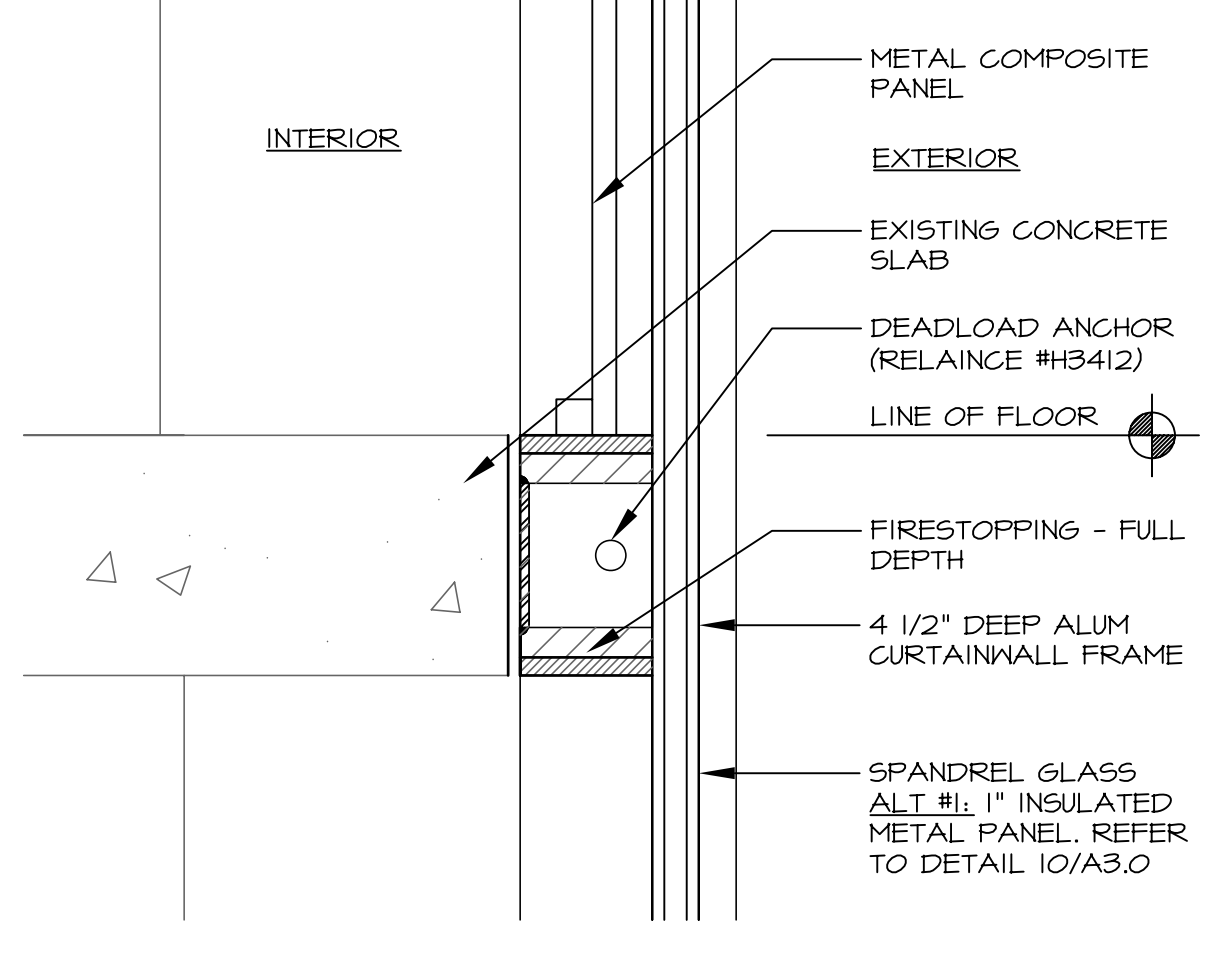


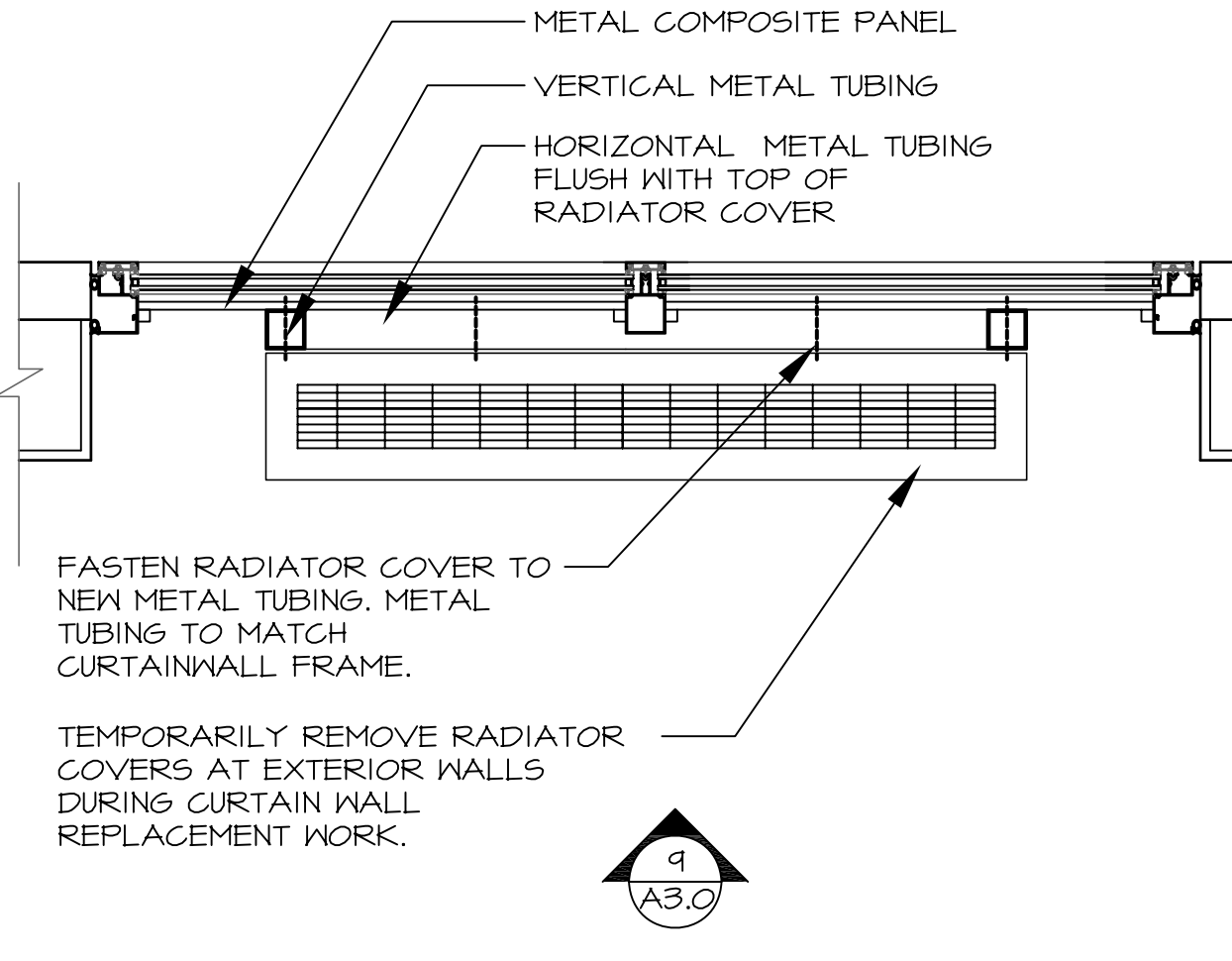
1
A3.0
SECTION AT CURTAINWALL
SCALE: 3/8" = 1'-0"



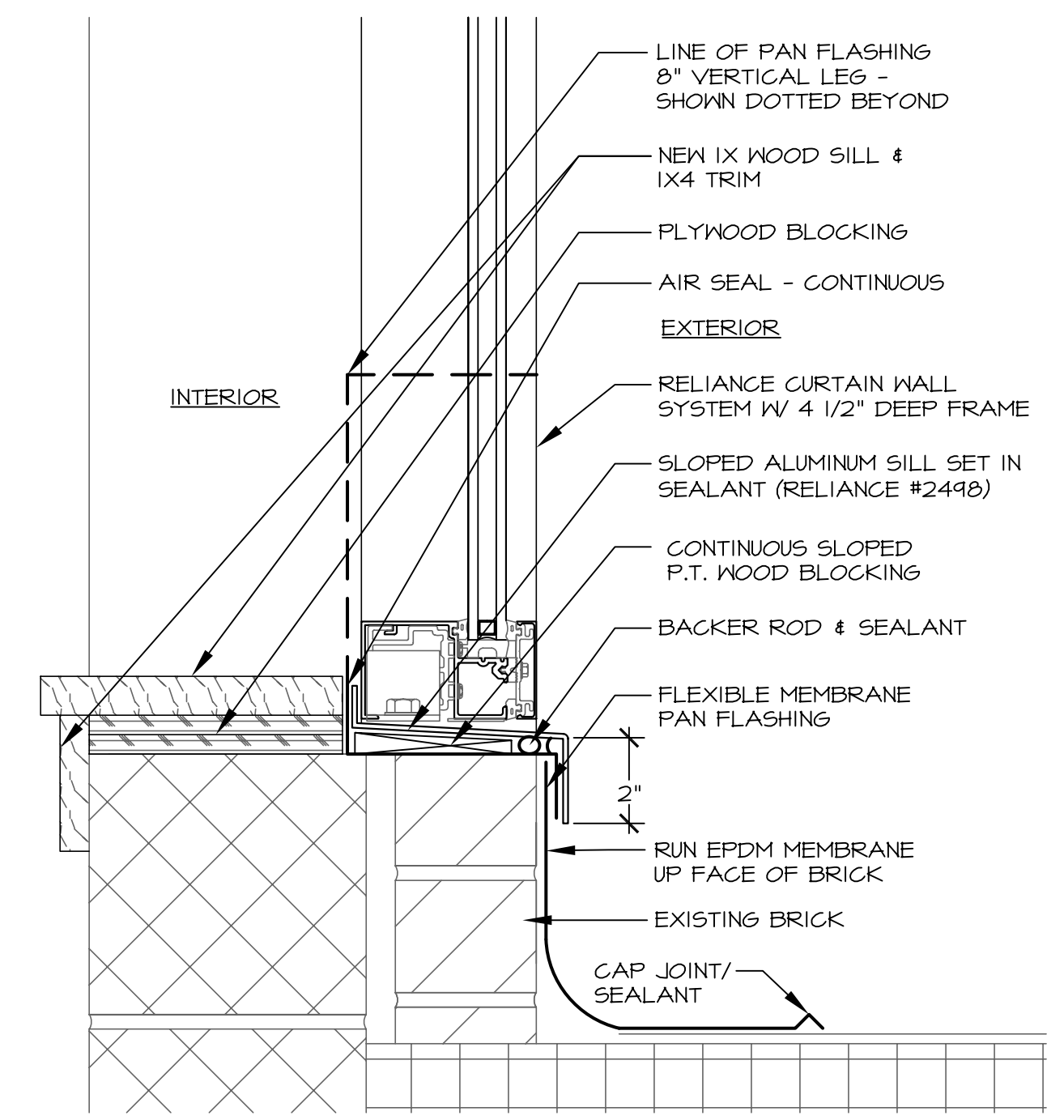
2
A3.0
HEAD DETAIL
SCALE: 3" = 1'-0"



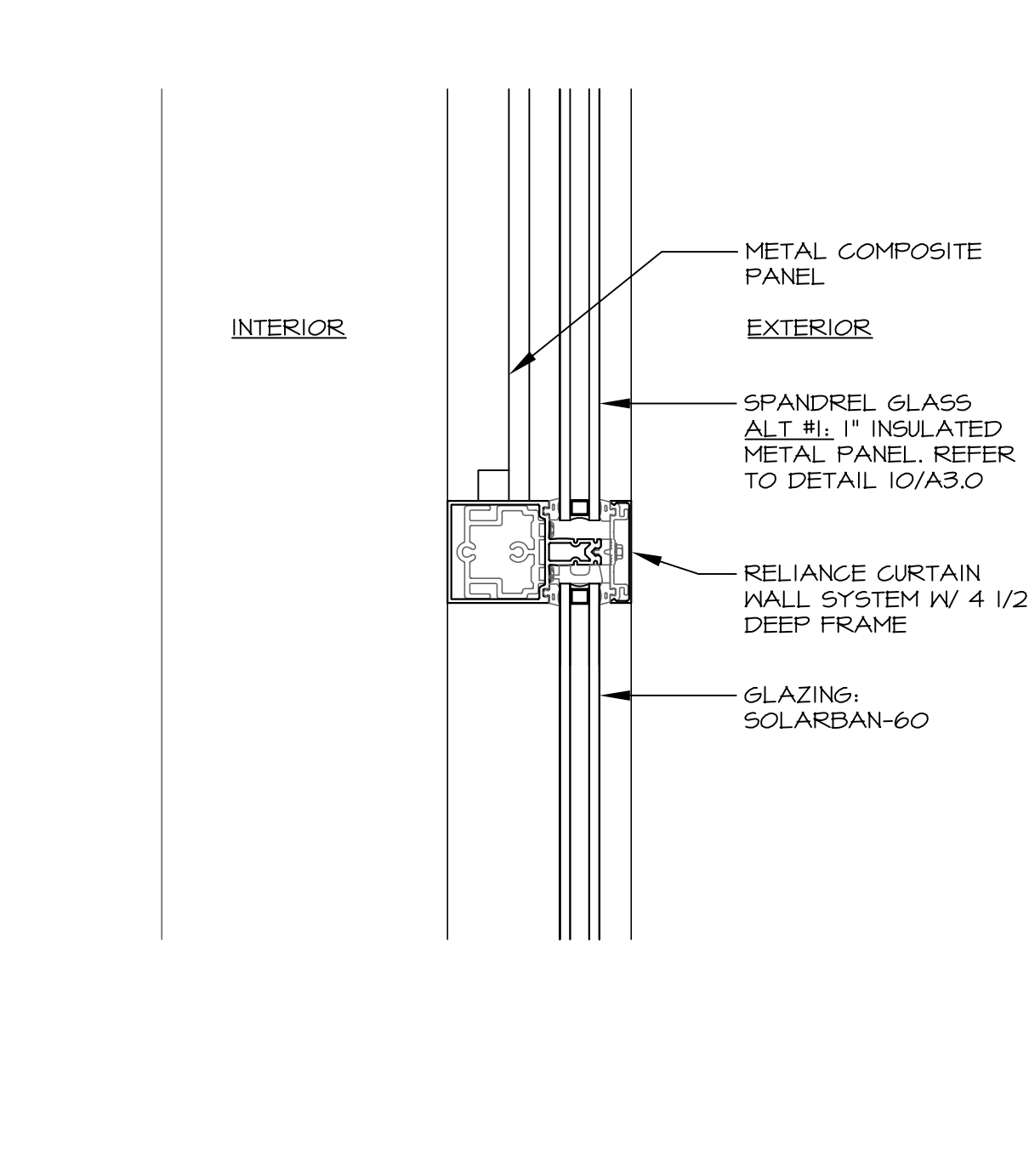
5
A3.0
FIRESTOPPING SECTION DETAIL
SCALE: 3" = 1'-0"



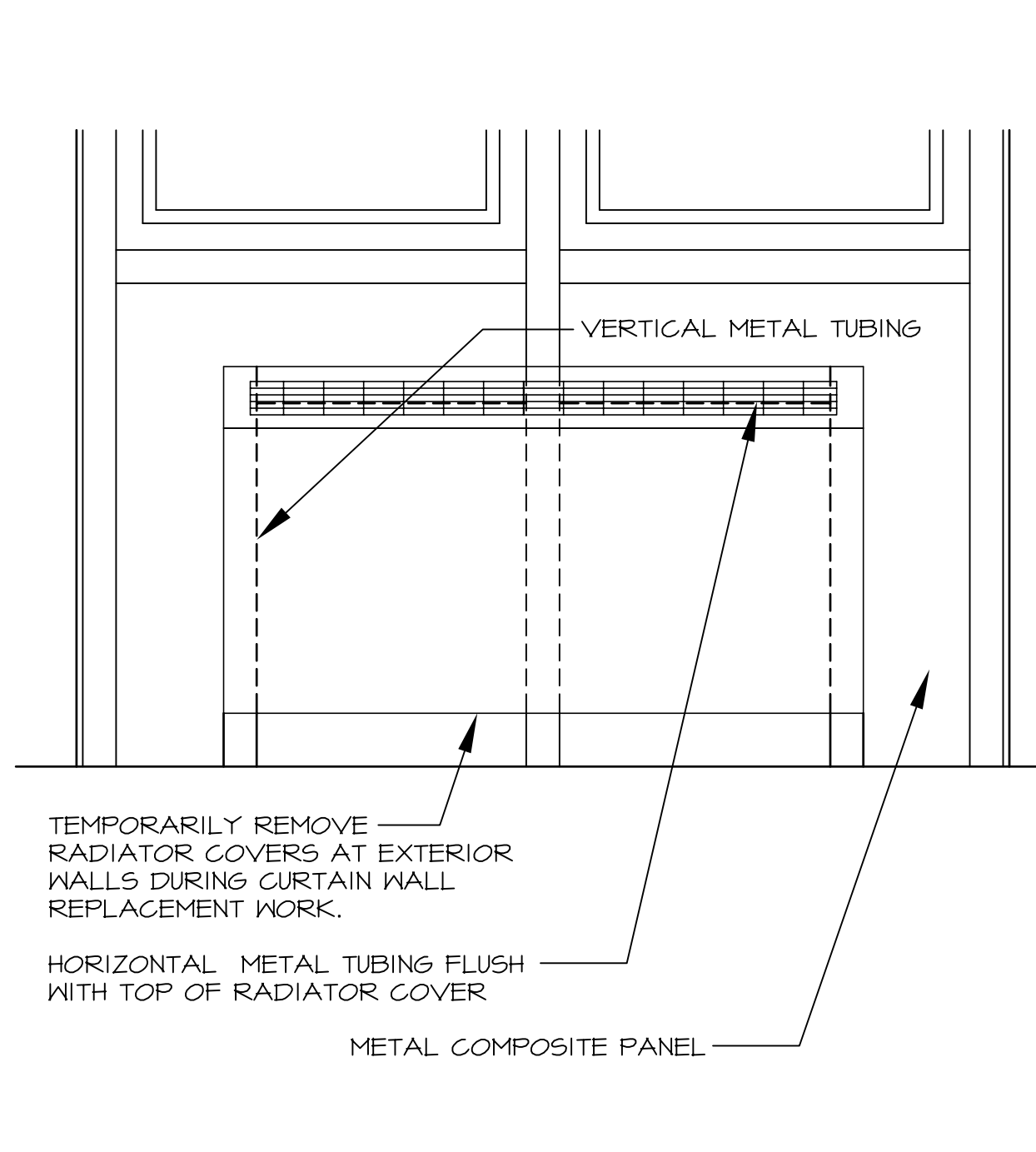
8
A3.0
PLAN AT RADIATOR
SCALE: 1" = 1'-0"



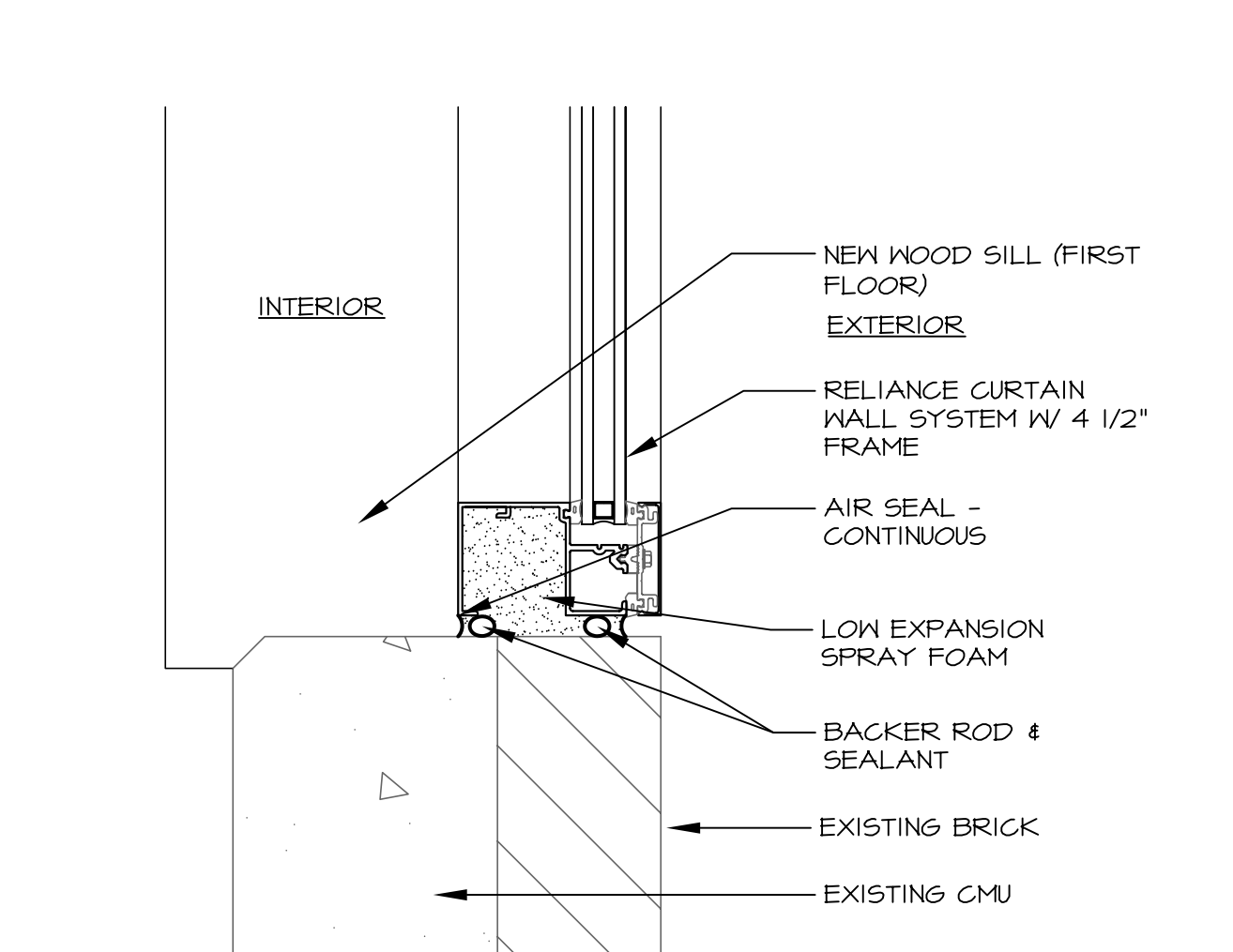
3
A3.0
SILL DETAIL
SCALE: 3" = 1'-0"



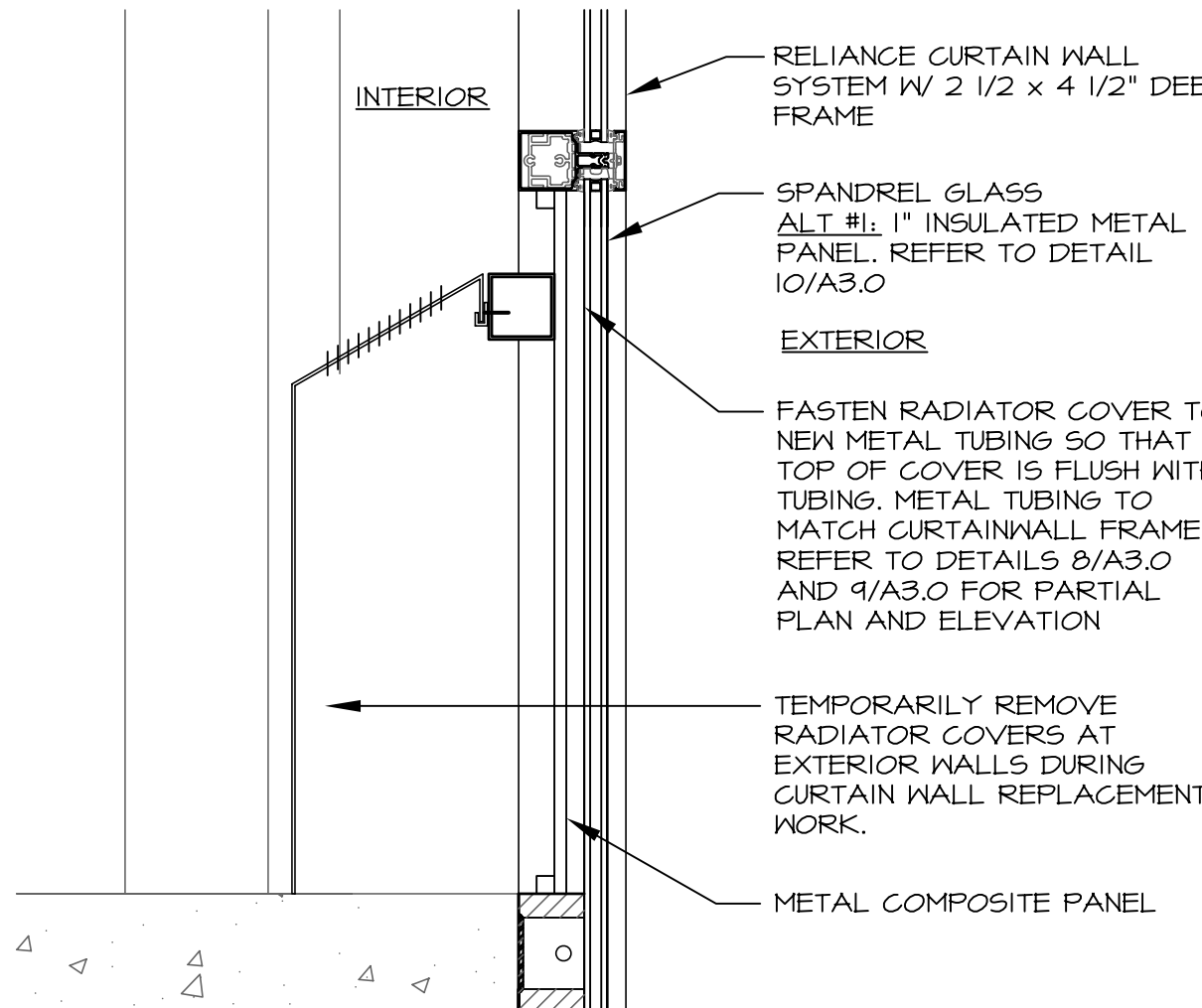
6
A3.0
HORIZONTAL MULLION DETAIL
SCALE: 3" = 1'-0"



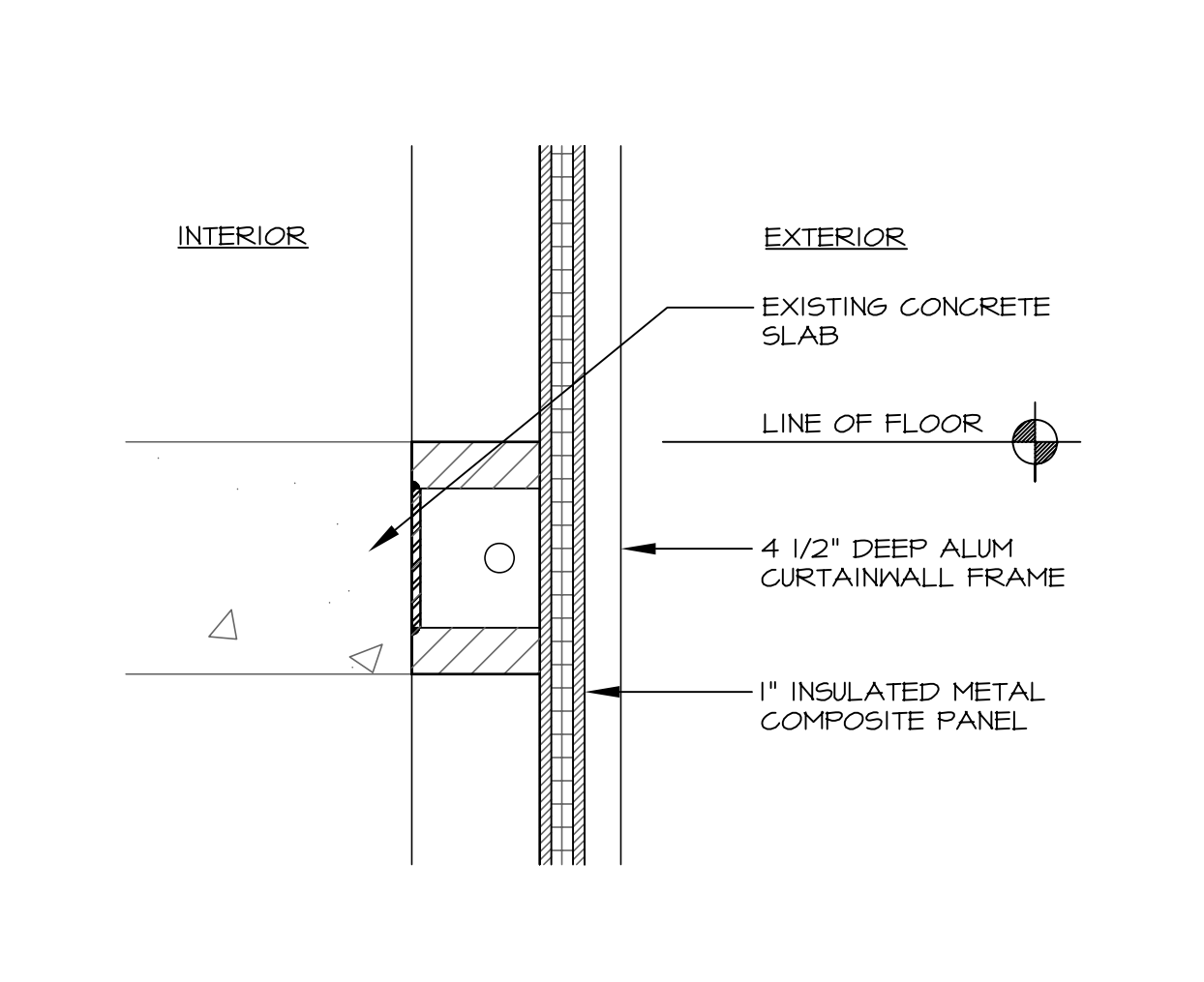
9
A3.0
ELEVATION AT RADIATOR
SCALE: 1" = 1'-0"



4
A3.0
JAMB DETAIL
SCALE: 3" = 1'-0"



7
A3.0
DETAIL @ RADIATOR/SPANDREL
SCALE: 1 1/2" = 1'-0"



10
A3.0
ALTERNATE #1: SECTION DETAIL
SCALE: 3" = 1'-0"



TURNER BUILDING SCIENCE & DESIGN, LLC.
ARCHITECTS ENGINEERS
CONSTRUCTION MANAGERS BUILDING SCIENTISTS
26 PINWOOD LANE
HARRISON, MAINE 04040
T. 207-583-4571 / F. 207-583-4572
W: www.turnerbuildingscience.com
CONCORD NH • HARRISON ME • DANVILLE VT
LITTLETON MA • NEW HAVEN CT • LEIGHTON PA

COPYRIGHT : TURNER BUILDING SCIENCE & DESIGN, LLC. 2008
Electronic images of these documents may be used for the purpose of executing shop drawings and coordination drawings for this project only, except as enclosed by individual specifications (i.e. Structural steel). It shall be unlawful to use them for any other purpose. The Architect's or Engineer's seal shall not appear on any documents that are modified by others. The architect shall bear no responsibility for any modifications to the original documents by others. Drawing scales are for visual orientation only. Use dimensions shown for field layout. Notify Architect/Engineer of discrepancies in dimensions or existing conditions varying significantly from those depicted on the drawings.

ISSUED FOR:

PROGRESS
SCHEMATIC DESIGN
DESIGN DEVELOPMENT
CONSTRUCTION DOCUMENTS
COORDINATION
<input checked="" type="checkbox"/> BID
CONSTRUCTION
<input checked="" type="checkbox"/> NOT FOR CONSTRUCTION

REVISIONS:

△			
△			
△			
△			
△			
△			
△			

KEY PLAN:

	NTSC
--	------

PROJECT TITLE / ADDRESS:
**UNIVERSITY OF SOUTHERN MAINE
SCIENCE "A" WING
CURTAIN WALL
REPLACEMENT
PORTLAND, ME 04104**

PROJ. NO.:	S1055	STAMP:	
SCALE:	AS NOTED		
DES. BY:	OBH		
DRAWN BY:	AEW		
CHKD BY:	OBH		
ISSUE DATE:	2.8.13		

SHEET TITLE:
**WALL SECTION &
DETAILS**

SHEET NUMBER:
A3.0

DIRECTORY: P:\S1000\S\S1055 USM SCIENCE A
FILE NAME: WNG\DRAWINGS\

4/21/2011 12:00:00 PM